



US00D912654S

(12) **United States Design Patent**  
**Weng**

(10) **Patent No.:** **US D912,654 S**

(45) **Date of Patent:** **\*\* Mar. 9, 2021**

(54) **MOBILE PHONE STAND**

(71) Applicant: **SHENZHEN GUANGYIPENG TECHNOLOGY CO., LTD.**, Shenzhen (CN)

(72) Inventor: **Jie Weng**, Shenzhen (CN)

(73) Assignee: **SHENZHEN GUANGYIPENG TECHNOLOGY CO., LTD.**, Shenzhen (CN)

(\*\*) Term: **15 Years**

(21) Appl. No.: **29/744,362**

(22) Filed: **Jul. 28, 2020**

(51) **LOC (13) Cl.** ..... **14-03**

(52) **U.S. Cl.**  
USPC ..... **D14/253**

(58) **Field of Classification Search**  
USPC ..... D14/251–253, 447, 440  
CPC ..... F16M 13/00; F16M 13/022  
See application file for complete search history.

(56) **References Cited**

**U.S. PATENT DOCUMENTS**

D693,824 S *	11/2013	Erdfarb	.....	D14/447
D703,676 S *	4/2014	Smith	.....	D14/447
D705,785 S *	5/2014	Wang	.....	D14/447
D723,536 S *	3/2015	Werth	.....	D14/253
D756,367 S *	5/2016	Kim	.....	D14/447
D772,218 S	11/2016	Alesi et al.		
D779,478 S *	2/2017	Justiss	.....	D14/253
D789,348 S *	6/2017	Kim	.....	D14/253
D816,027 S *	4/2018	Chen	.....	D13/108
D829,725 S *	10/2018	Luo	.....	D14/447

(Continued)

**OTHER PUBLICATIONS**

TPU Shell Case for Amazon Fire HD 8 Pink Marble, Published on Walmart.com, Retrieved From Web Jan. 16, 2021. <<https://www.walmart.com/ip/TPU-Shell-Case-All-New-Amazon-Fire-HD-8-Plus-10th-Gen-2020-Pink-Marble-Slim-PU-Leather-Folding-Stand-Cover-Auto-Wake-Sleep-Inch/487695517>> (Year: 2021).\*

walmart.com/ip/TPU-Shell-Case-All-New-Amazon-Fire-HD-8-Plus-10th-Gen-2020-Pink-Marble-Slim-PU-Leather-Folding-Stand-Cover-Auto-Wake-Sleep-Inch/487695517> (Year: 2021).\*

*Primary Examiner* — Janice Hallmark

(57) **CLAIM**

The ornamental design for a mobile phone stand, as shown and described.

**DESCRIPTION**

The patent or application file contains at least one drawing executed in color. Copies of this patent or patent application publication with color drawing(s) will be provided by the Office upon request and payment of the necessary fee.

FIG. 1 is a front perspective view of a mobile phone stand showing my new design;

FIG. 2 is a rear perspective view thereof;

FIG. 3 is a front view thereof;

FIG. 4 is a rear view thereof;

FIG. 5 is a left side view thereof;

FIG. 6 is a right side view thereof;

FIG. 7 is a top view thereof;

FIG. 8 is a bottom view thereof;

FIG. 9 is a top, front and left side perspective view thereof;

FIG. 10 is a top, front and right side perspective view thereof;

FIG. 11 is a perspective view of the mobile phone stand where the mobile phone stand is in a folded configuration;

FIG. 12 is another perspective view thereof;

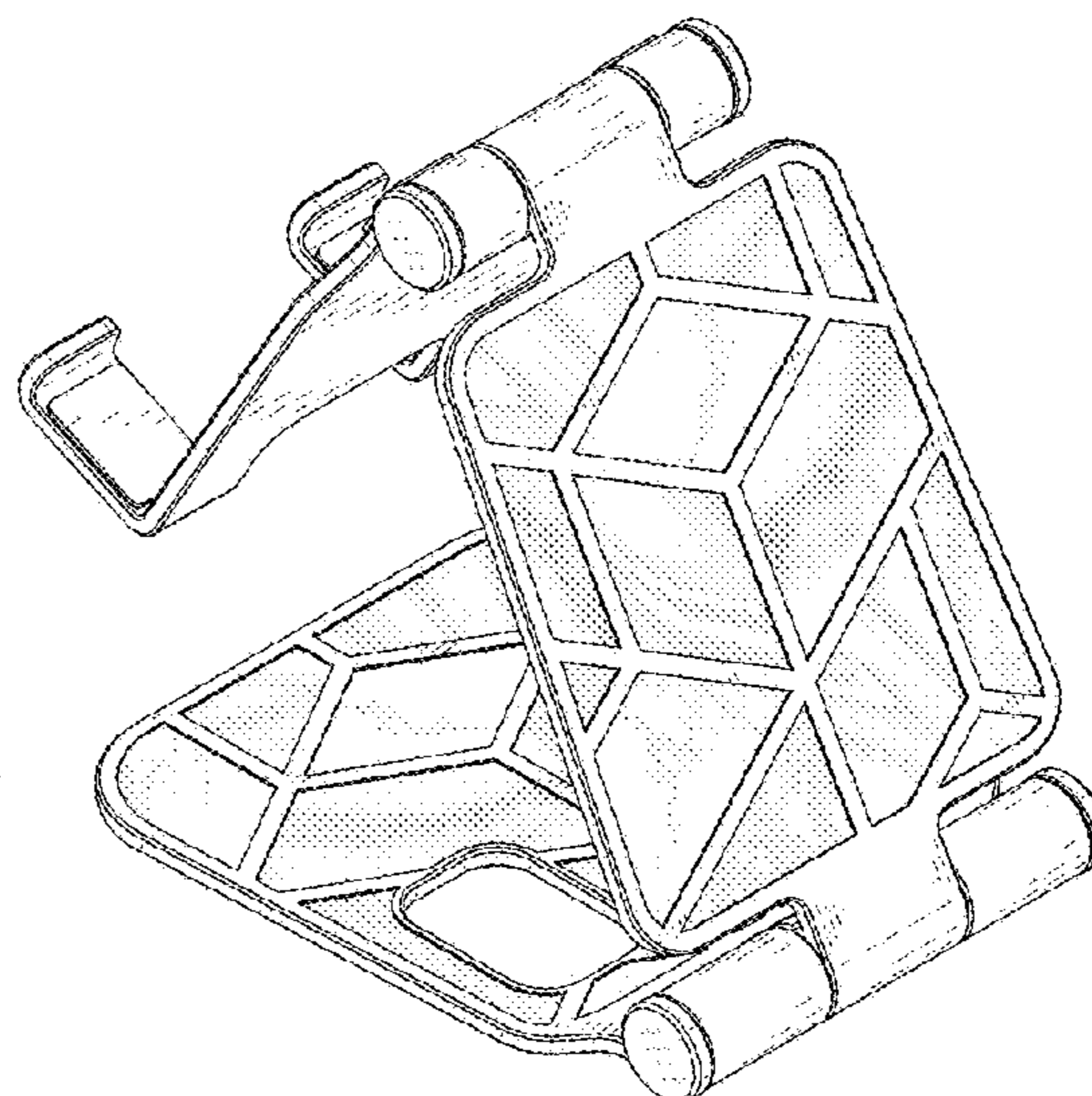
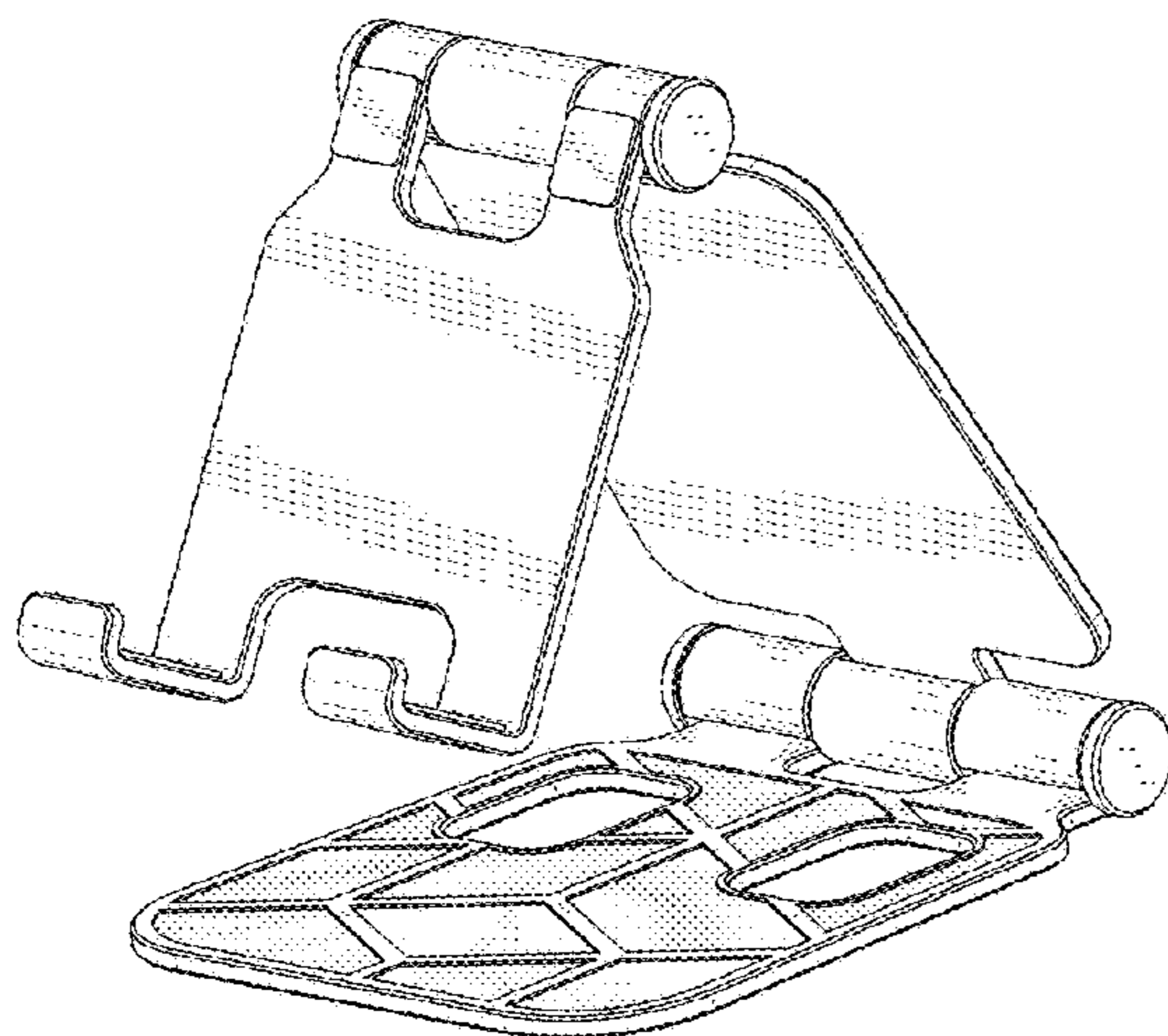
FIG. 13 is a perspective view of the mobile phone stand where the mobile phone stand is in an unfolded configuration;

FIG. 14 is another perspective view thereof; and,

FIG. 15 is a rear perspective view of the mobile phone stand shown in example environment.

The broken lines are for environmental purposes only and form no part of the claimed design.

**1 Claim, 15 Drawing Sheets**  
**(10 of 15 Drawing Sheet(s) Filed in Color)**



(56)

**References Cited**

U.S. PATENT DOCUMENTS

D839,869	S	*	2/2019	Wang	.....	D14/253
D842,305	S	*	3/2019	Gao	.....	D14/447
D863,291	S	*	10/2019	Shi	.....	D14/253
D868,073	S	*	11/2019	Smith	.....	D14/447
D907,628	S	*	1/2021	Feng	.....	D14/253
D907,644	S	*	1/2021	Li	.....	D14/447
2017/0223862	A1	*	8/2017	Justiss	.....	A47B 23/043

\* cited by examiner

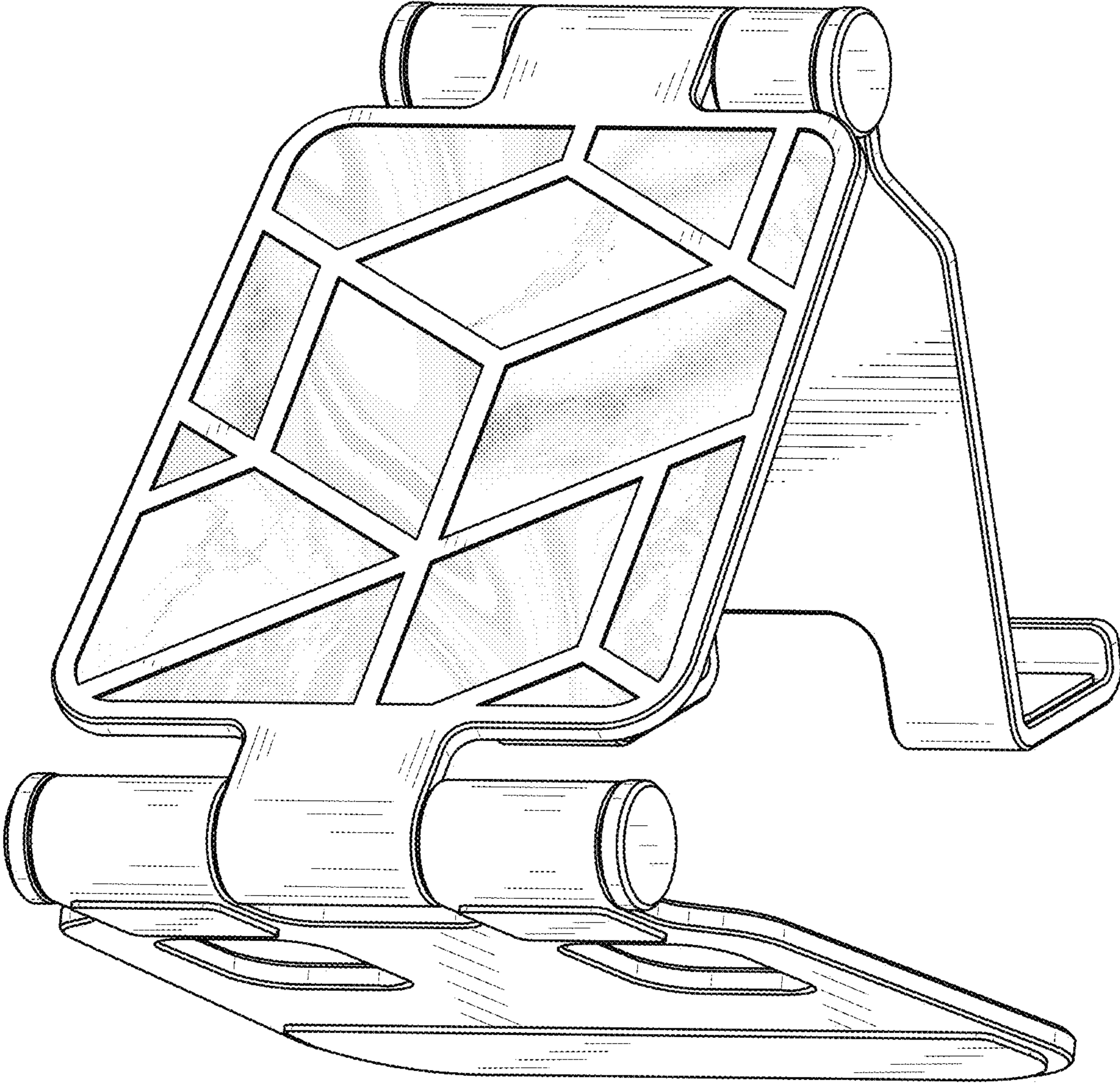


Fig. 1

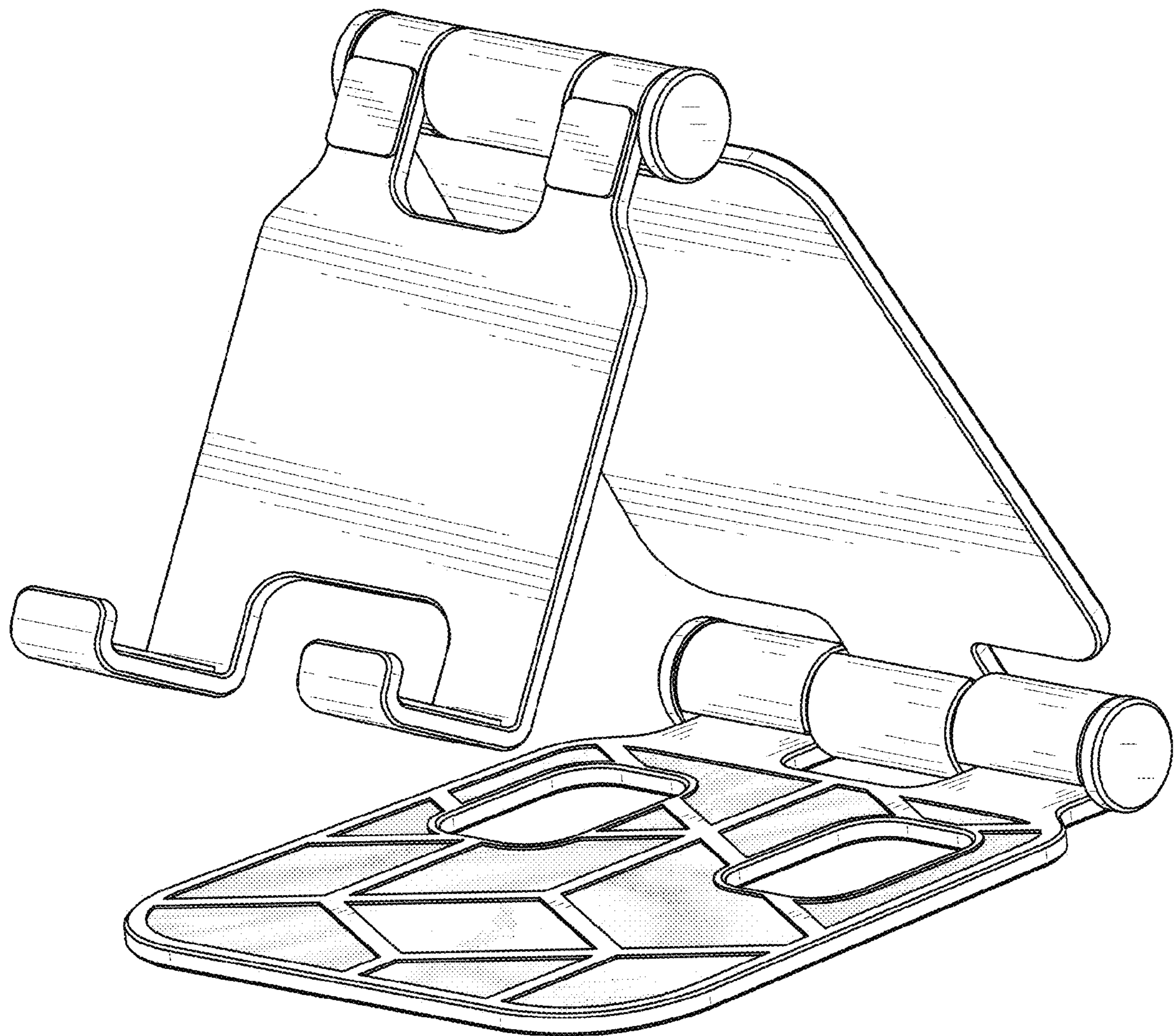


Fig. 2

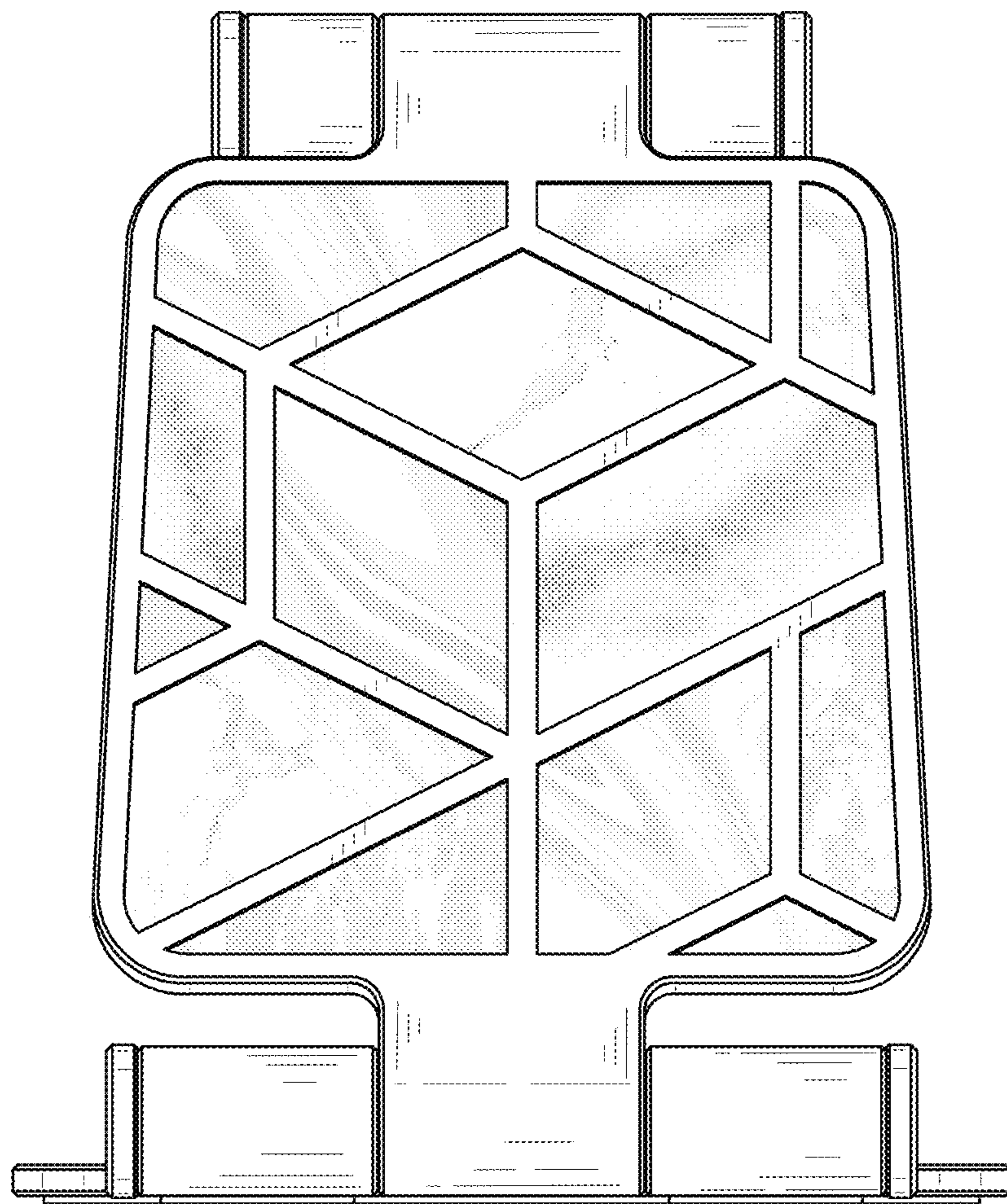


Fig. 3

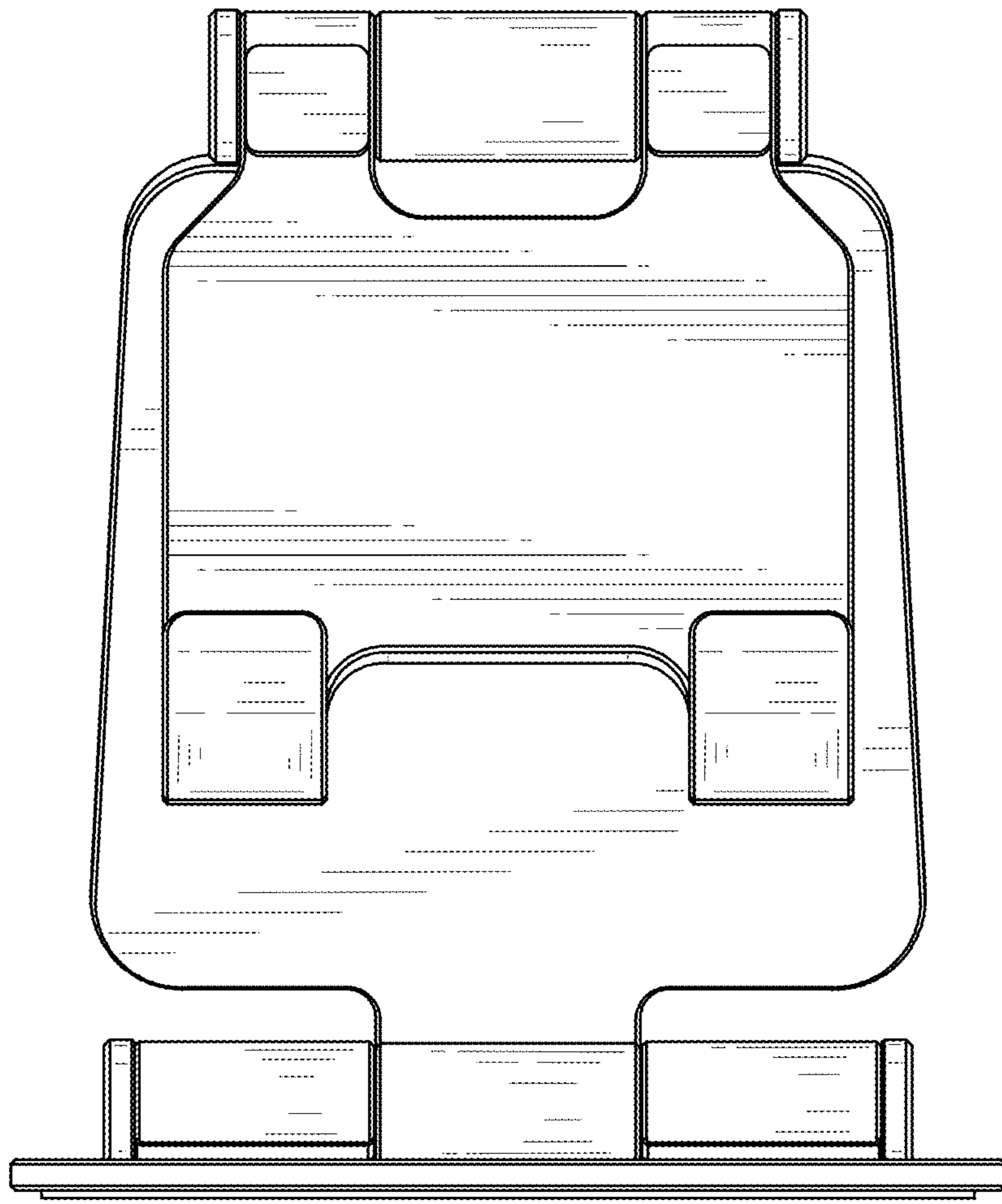


Fig. 4

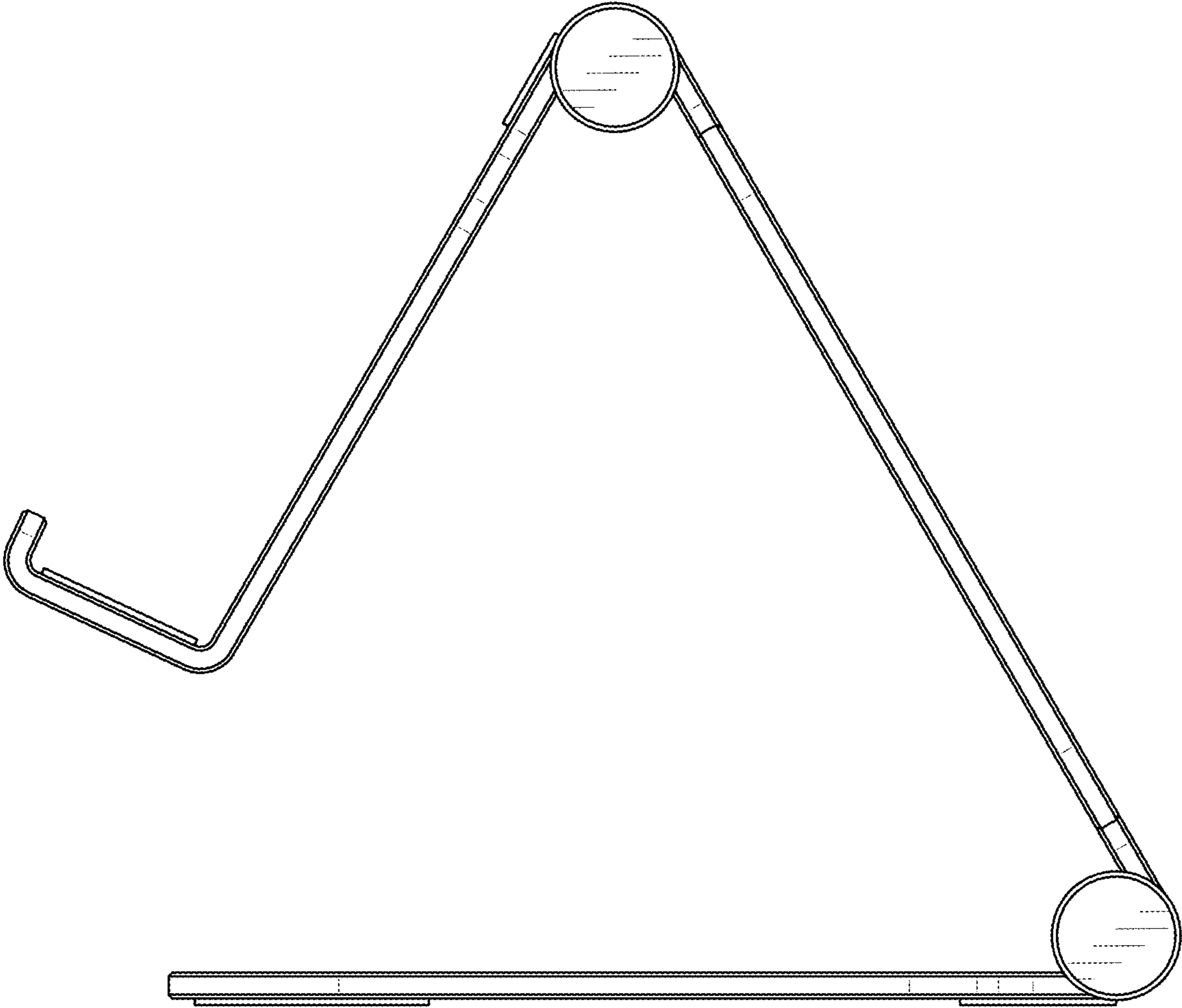


Fig. 5

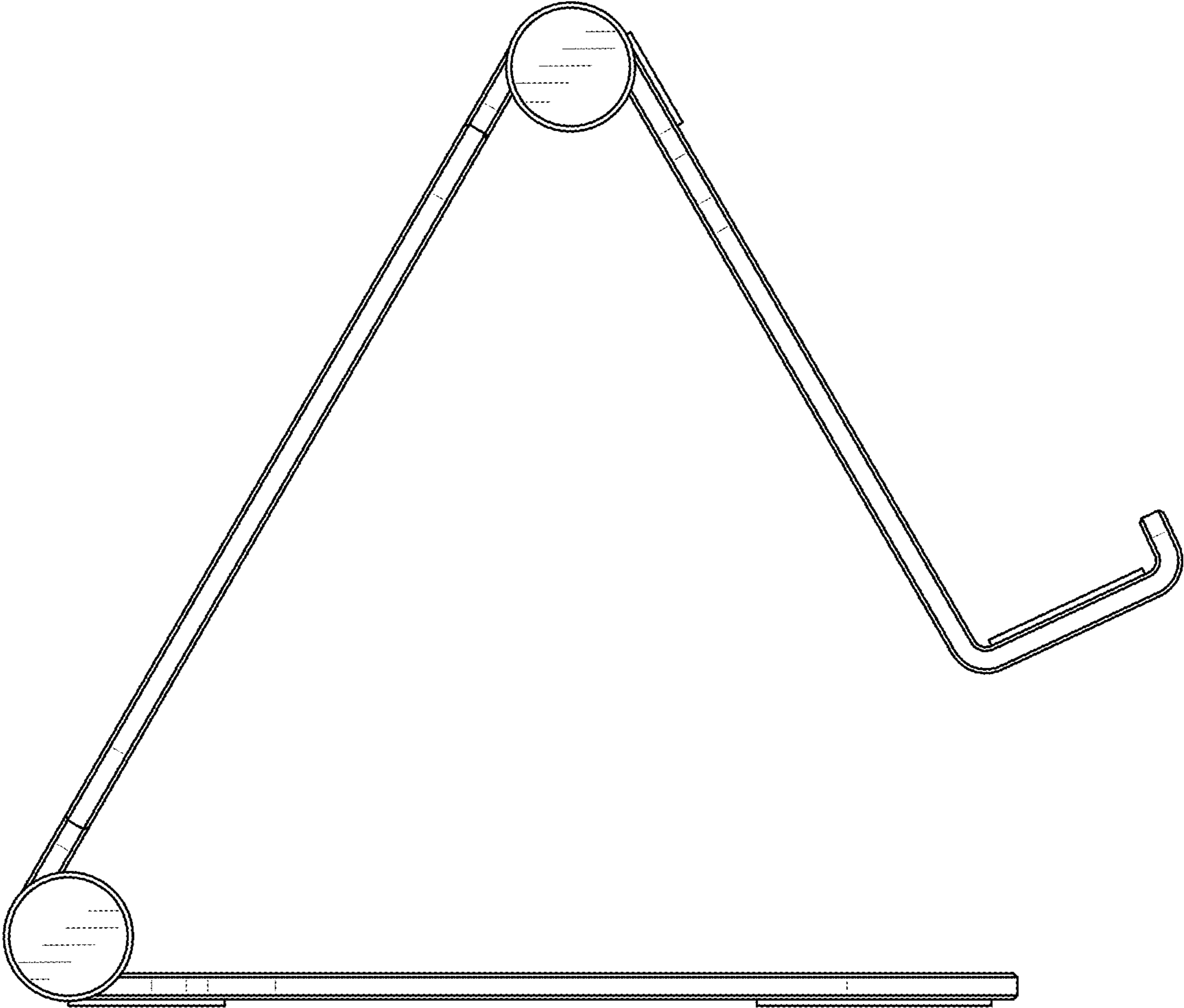


Fig. 6



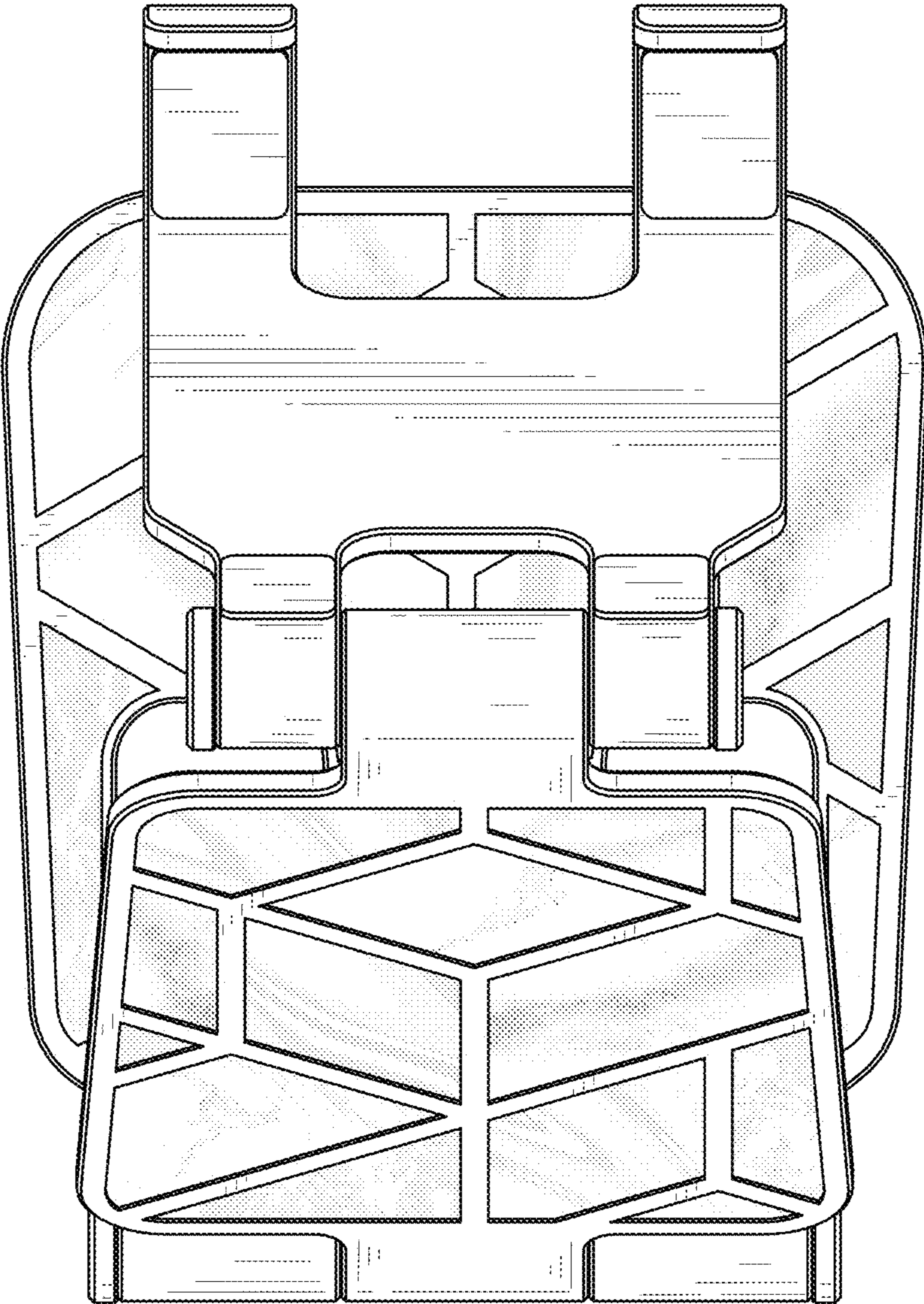


Fig. 7

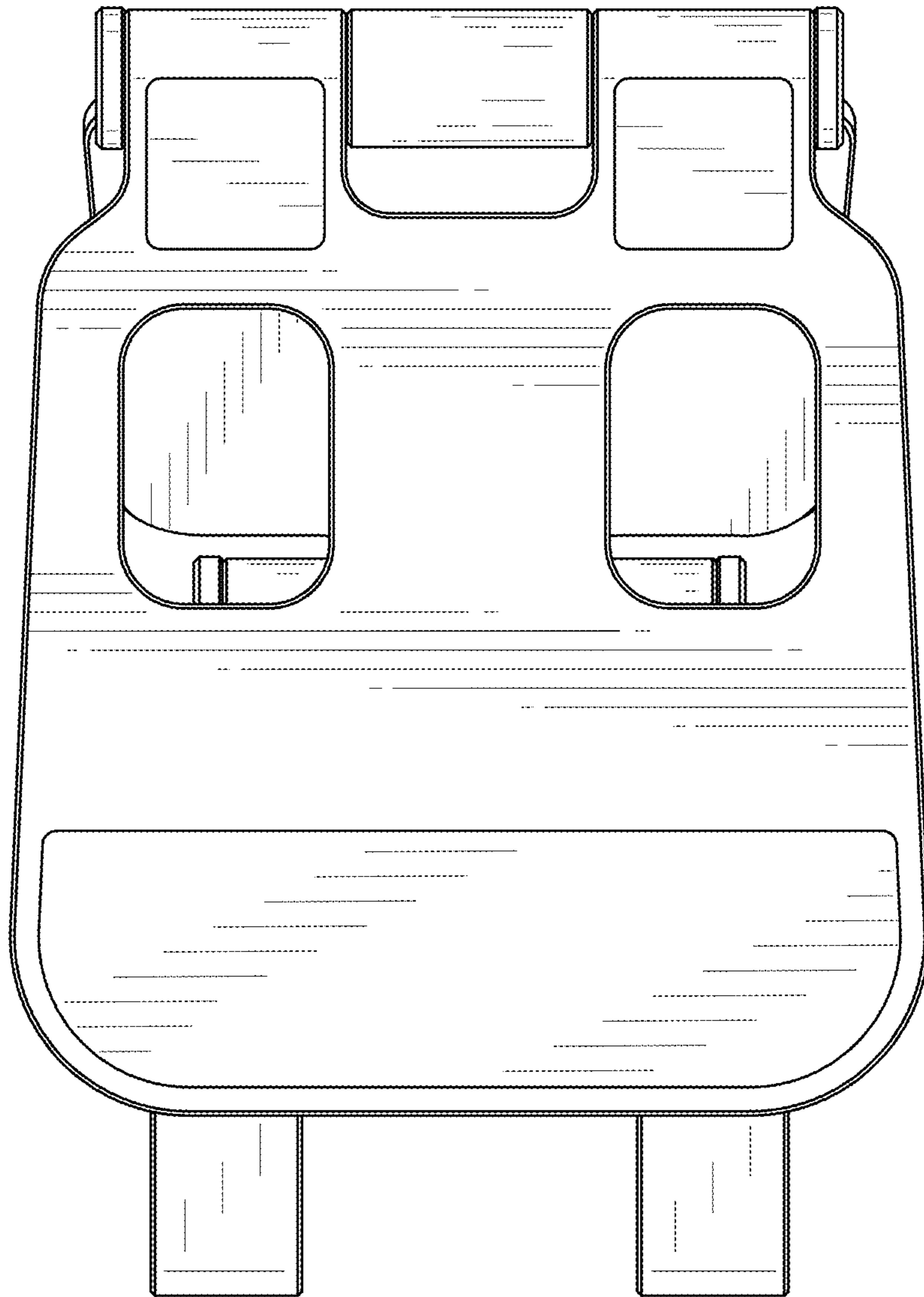


Fig. 8

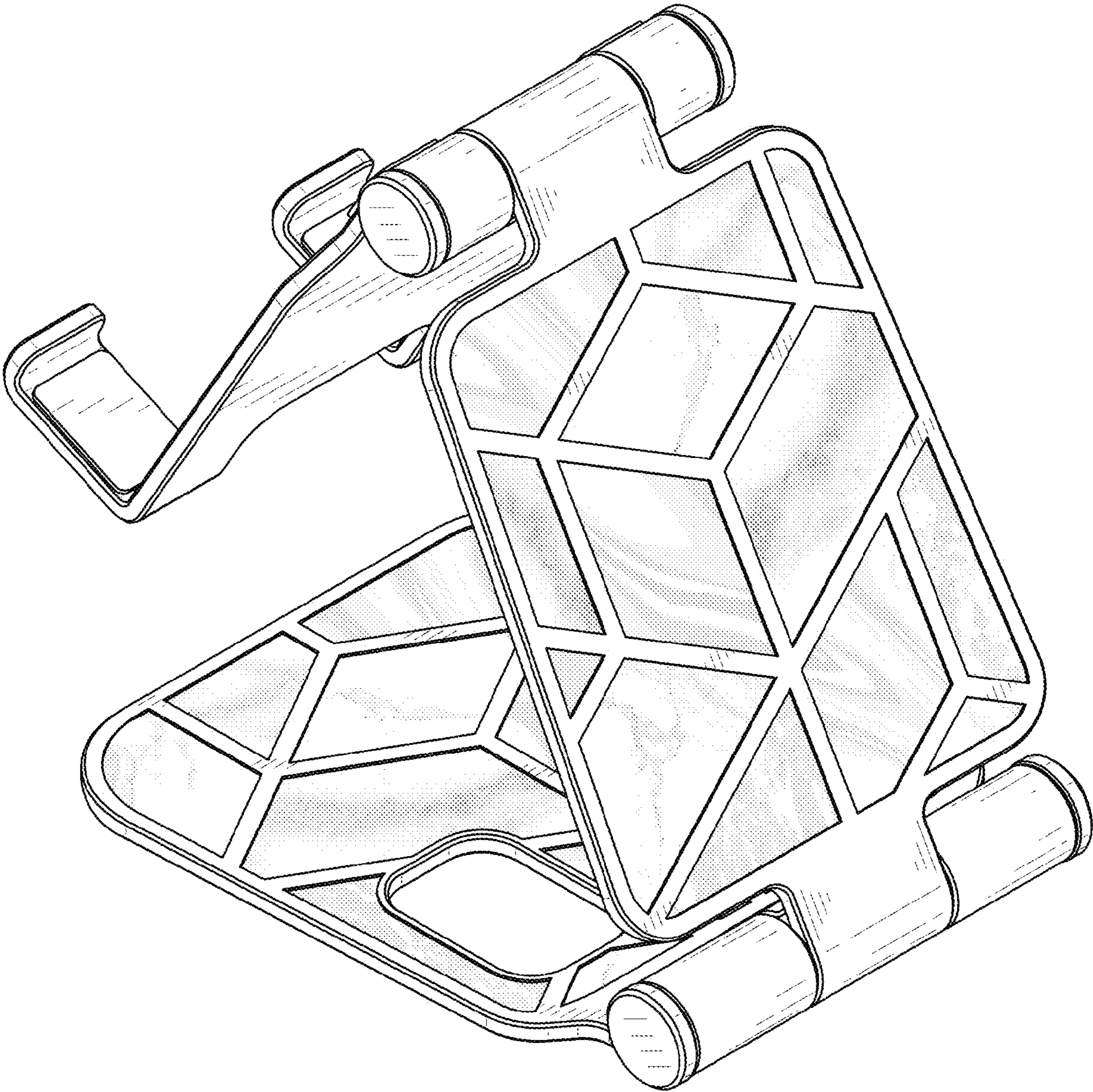


Fig. 9

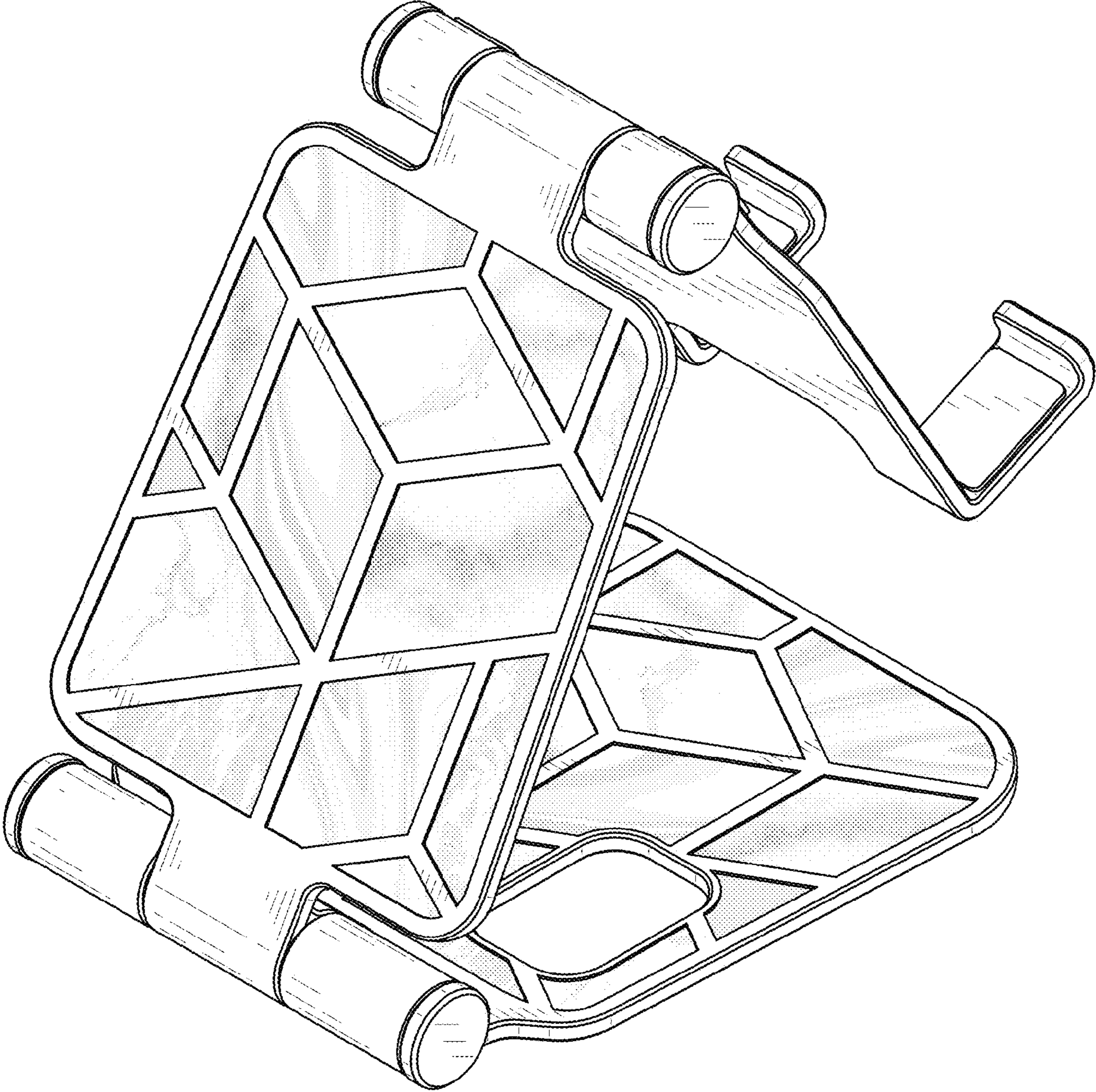


Fig. 10

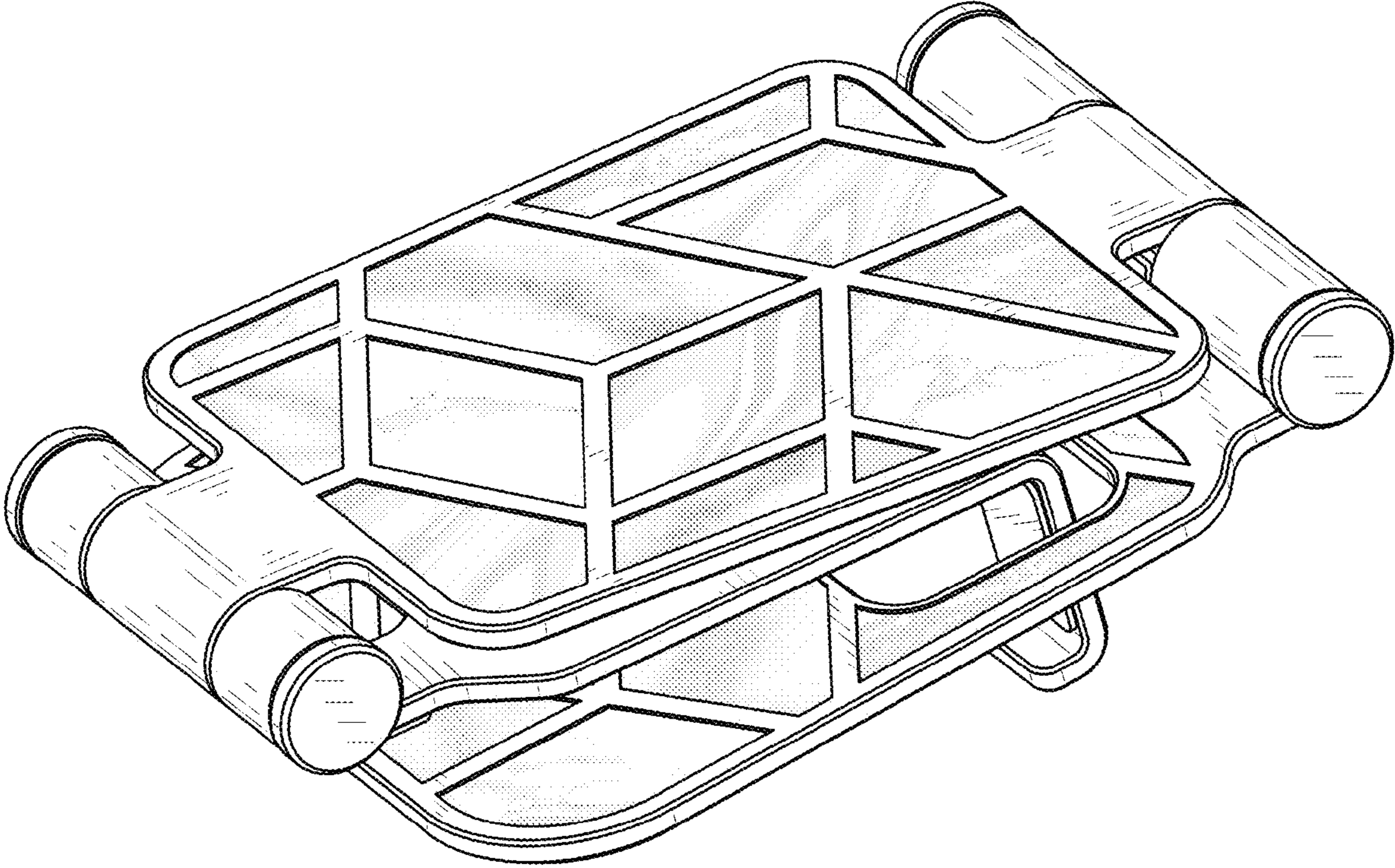


Fig. 11

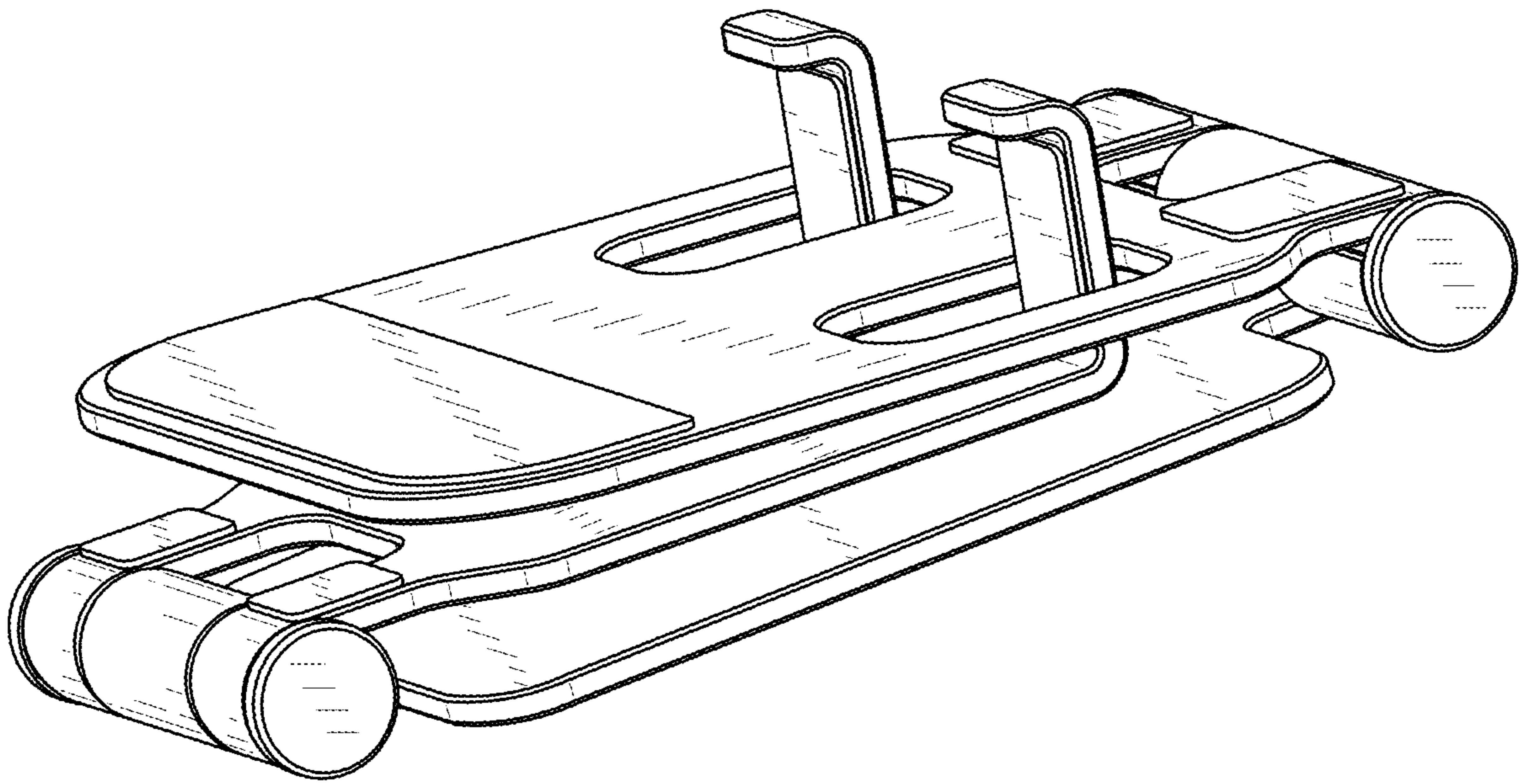


Fig. 12

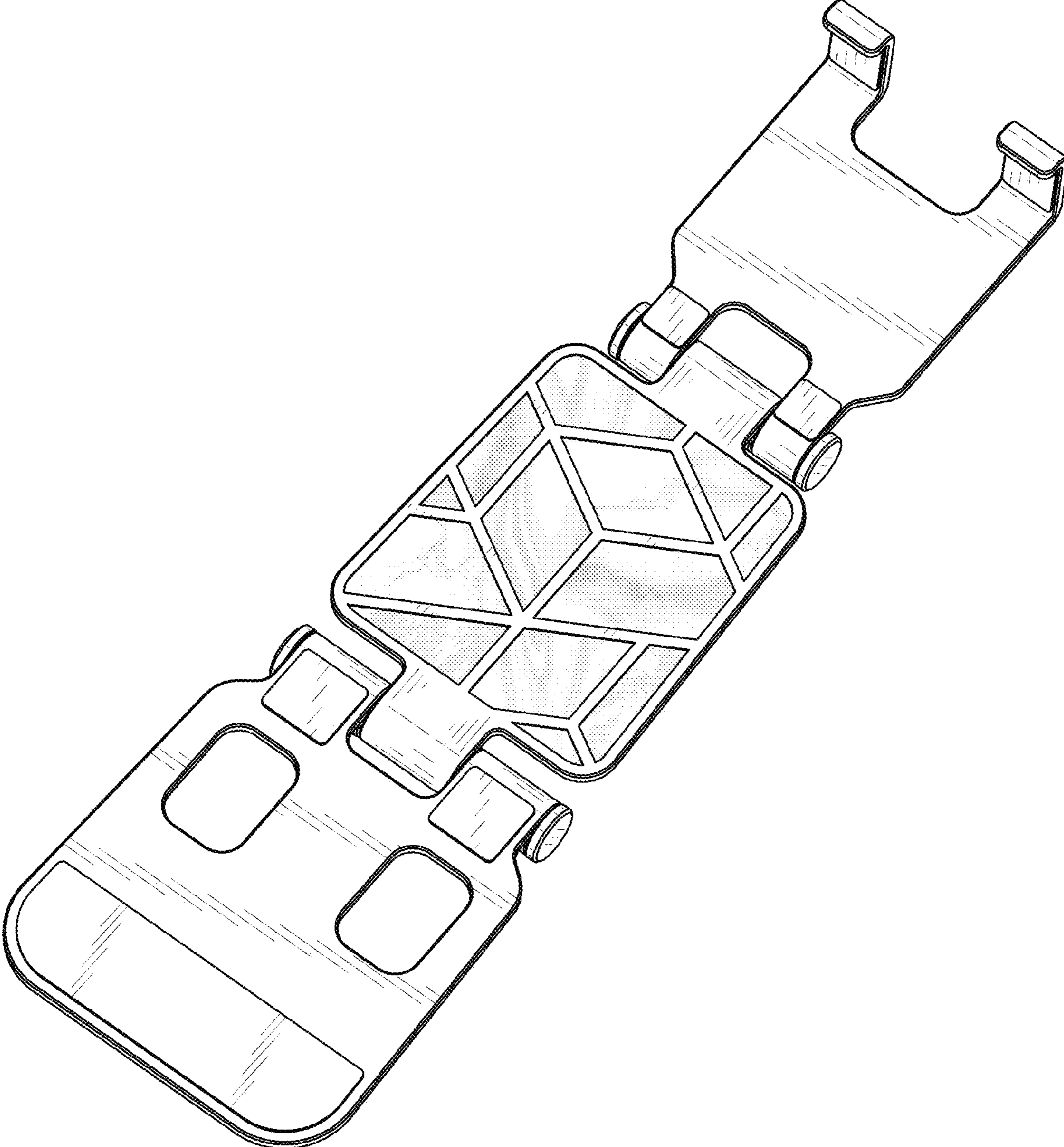


Fig. 13

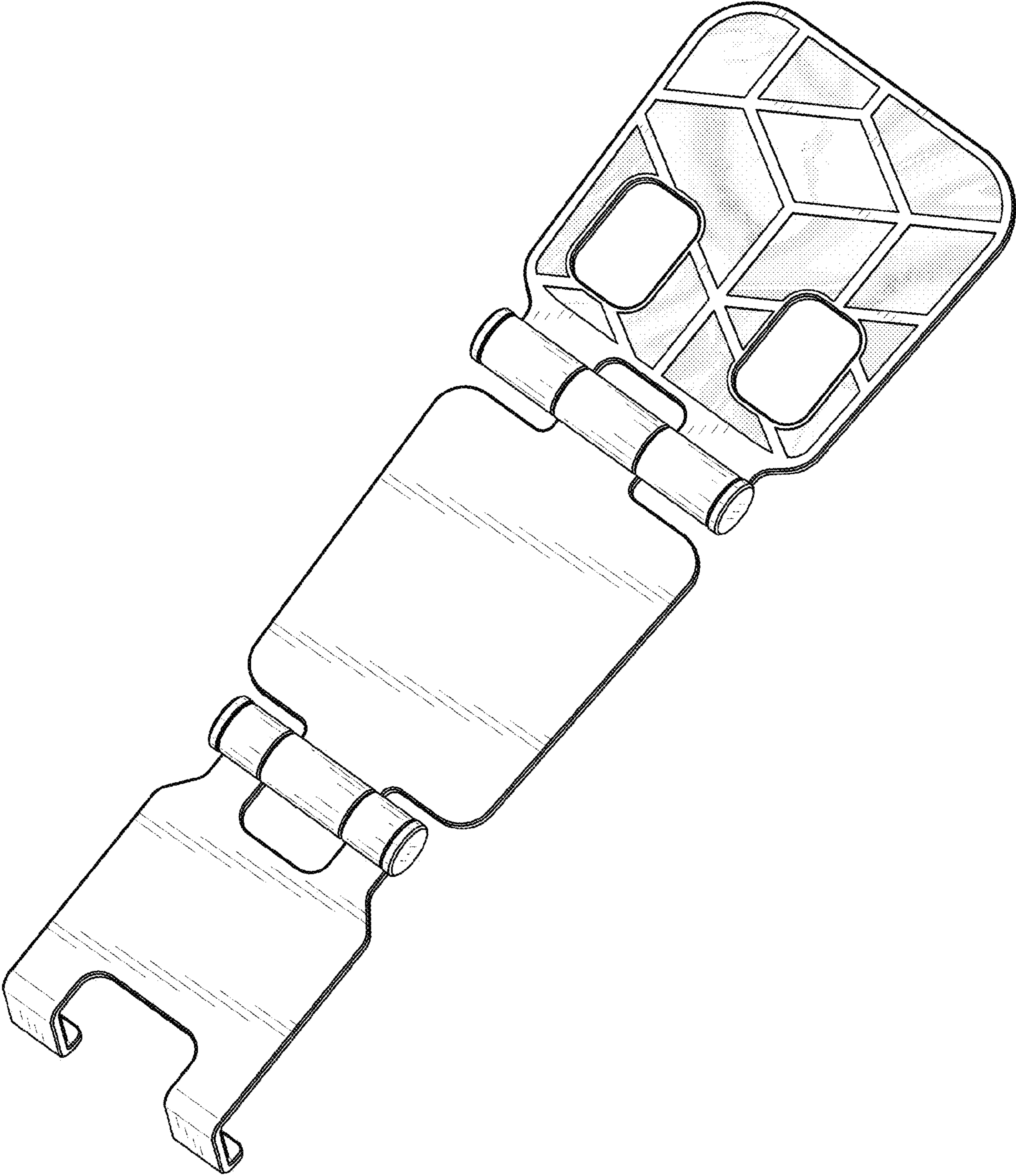


Fig. 14



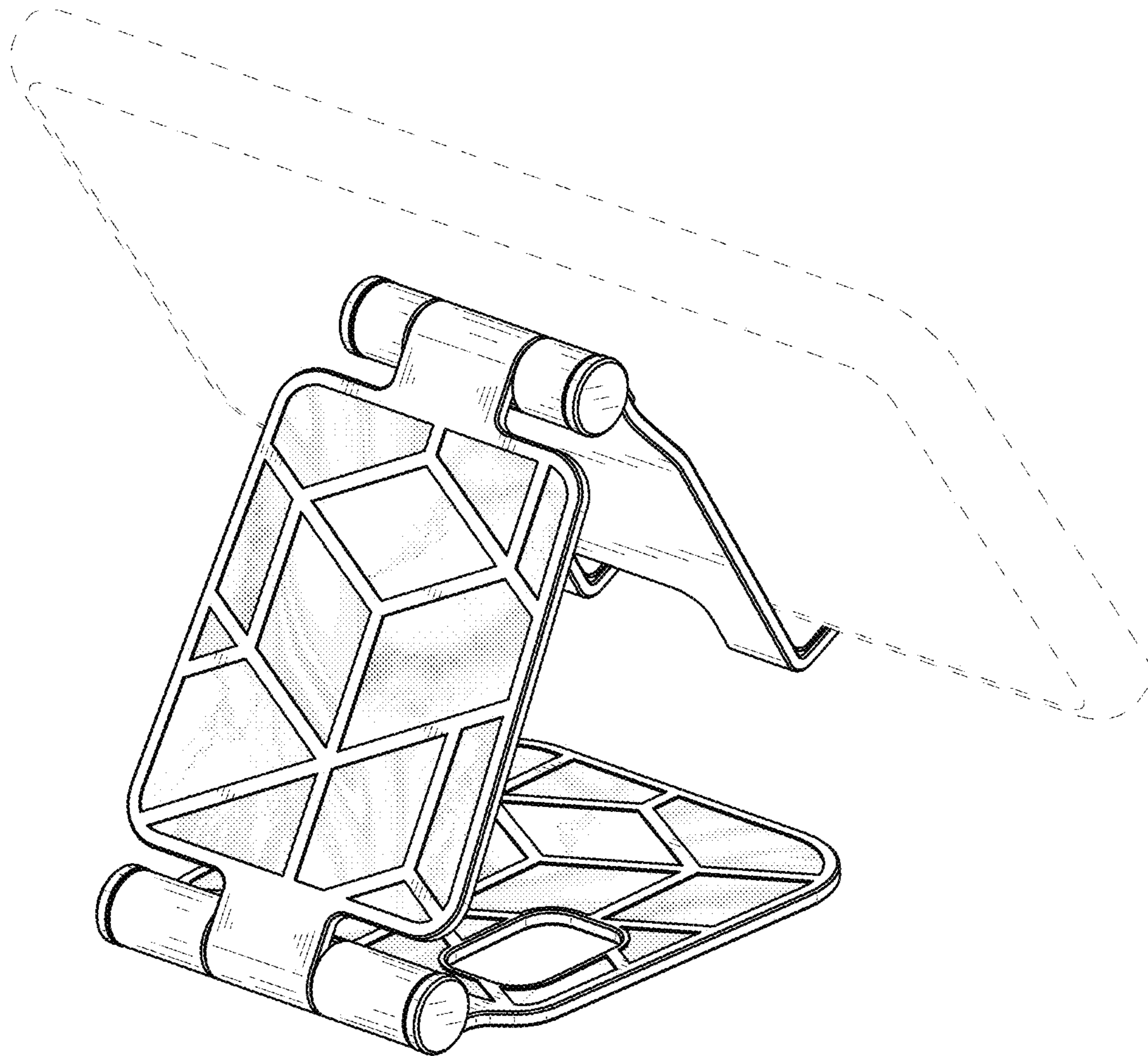


Fig. 15