



US00D912651S

(12) **United States Design Patent**
Yang

(10) **Patent No.:** **US D912,651 S**

(45) **Date of Patent:** **** Mar. 9, 2021**

(54) **ANTENNA BASE**

(71) Applicant: **SHENZHEN ANTOP TECHNOLOGY LIMITED,**
Guangdong (CN)

(72) Inventor: **Ruishi Yang,** Guangdong (CN)

(73) Assignee: **SHENZHEN ANTOP TECHNOLOGY LIMITED,** Shenzhen (CN)

(**) Term: **15 Years**

(21) Appl. No.: **29/692,427**

(22) Filed: **May 24, 2019**

(51) **LOC (13) Cl.** **14-03**

(52) **U.S. Cl.**
USPC **D14/238**

(58) **Field of Classification Search**
USPC D14/238, 230, 237, 233, 273; D12/401, D12/410, 413
CPC H01Q 1/38; H01Q 1/22; H01Q 1/243; H01Q 1/3275; H01Q 1/32; H04W 88/02; H04W 12/06; H04W 88/00; H04W 88/06
See application file for complete search history.

(56) **References Cited**

U.S. PATENT DOCUMENTS

D118,160 S *	12/1939	Kopanski	D14/234
D401,245 S *	11/1998	Benn	D14/238
D414,773 S *	10/1999	Heiligenstein	D14/238
D429,720 S *	8/2000	Strand	D14/230
D443,263 S *	6/2001	Strand	D14/230
D519,991 S *	5/2006	Chapman	D14/230
D544,470 S *	6/2007	Markefka	D14/230
D551,220 S *	9/2007	Noro	D14/230
D581,909 S *	12/2008	Jeong	D14/230
D675,601 S *	2/2013	Huet	D14/230

D681,018 S *	4/2013	Hakamata	D14/230
D686,598 S *	7/2013	Yanagisawa	D14/230
D730,879 S *	6/2015	Kato	D14/230
D748,611 S *	2/2016	Sato	D14/230
D794,615 S *	8/2017	Quinlan	D14/230
D803,196 S *	11/2017	Quinlan	D14/230
D826,219 S *	8/2018	Kobayashi	D14/230
D881,857 S *	4/2020	Fidler	D14/238
2006/0227057 A1 *	10/2006	Lu	H01Q 1/3275 343/713
2006/0273968 A1 *	12/2006	Noro	H01Q 1/42 343/713
2014/0292593 A1 *	10/2014	Thiam	H01Q 9/0421 343/713
2014/0347231 A1 *	11/2014	Kerselaers	H01Q 9/32 343/713

* cited by examiner

Primary Examiner — Keli L Hill

Assistant Examiner — Harold E Blackwell, II

(74) *Attorney, Agent, or Firm* — Muncy, Geissler, Olds & Lowe, P.C.

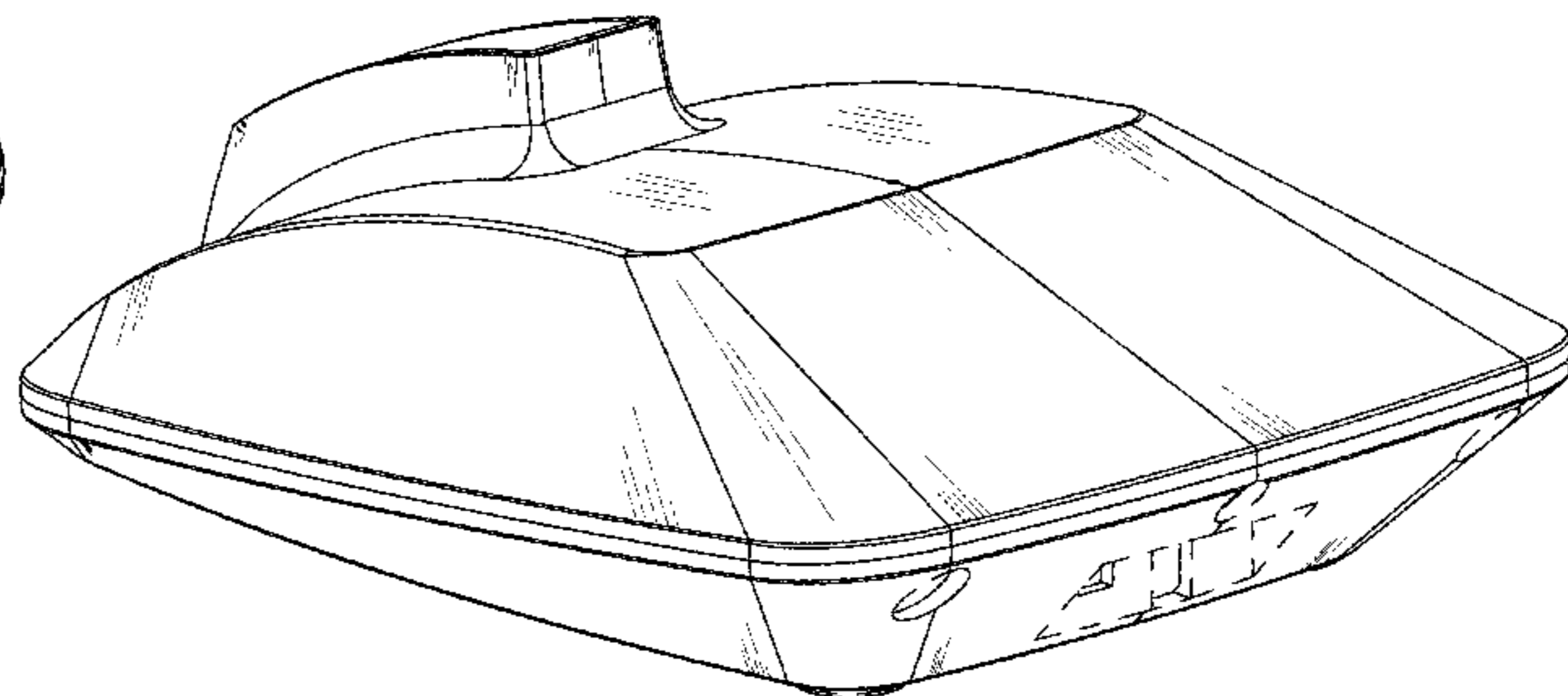
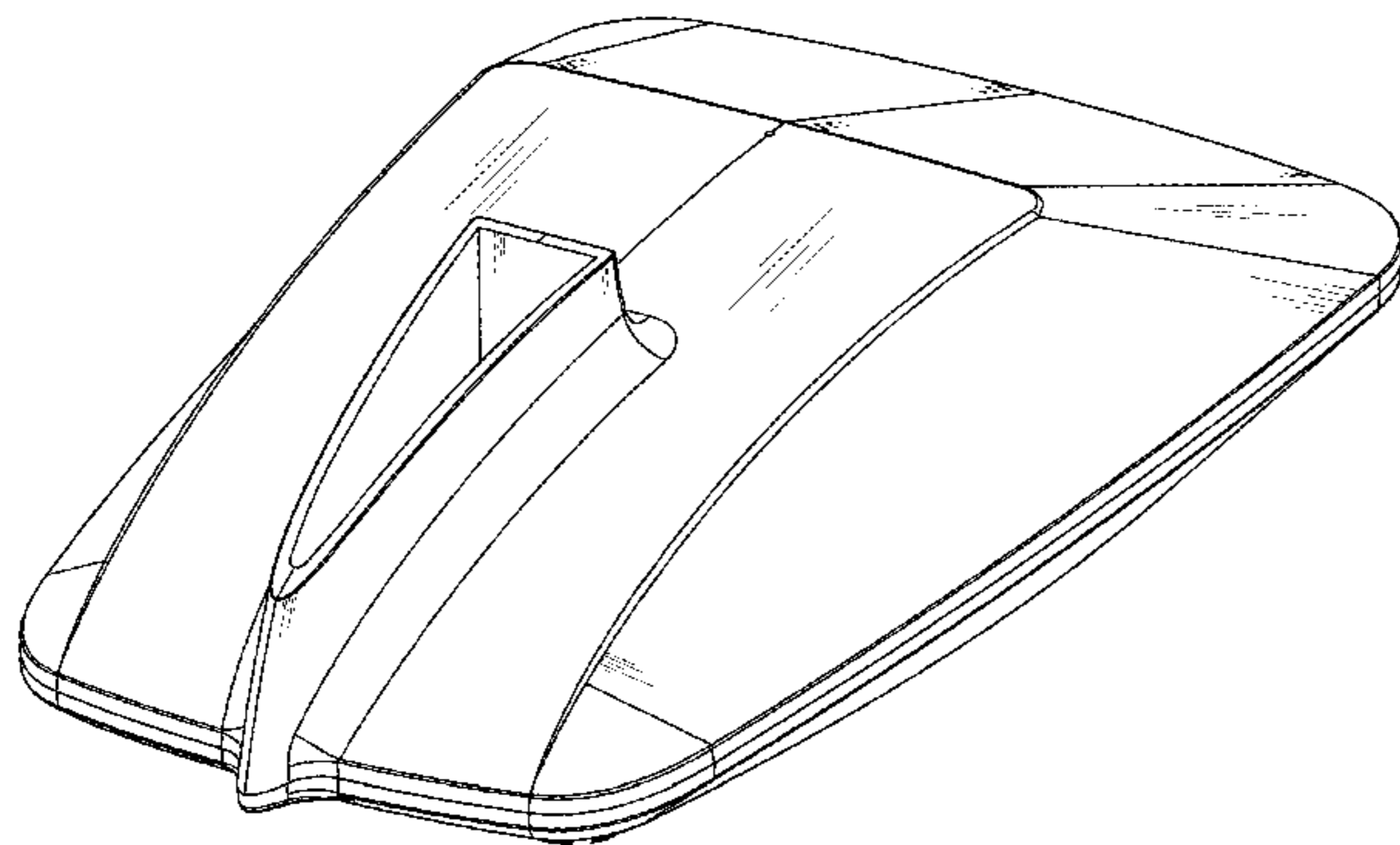
(57) **CLAIM**

The ornamental design for an antenna base, as shown and described.

DESCRIPTION

FIG. 1 is a front plan view of an antenna base showing my new design;
FIG. 2 is a rear plan view thereof;
FIG. 3 is a left side plan view thereof;
FIG. 4 is a right side plan view thereof;
FIG. 5 is a top plan view thereof;
FIG. 6 is a bottom plan view thereof;
FIG. 7 is a front perspective view thereof; and,
FIG. 8 is a rear perspective view thereof.
The broken lines illustrate portions of the antenna base that form no part of the claimed design.

1 Claim, 8 Drawing Sheets



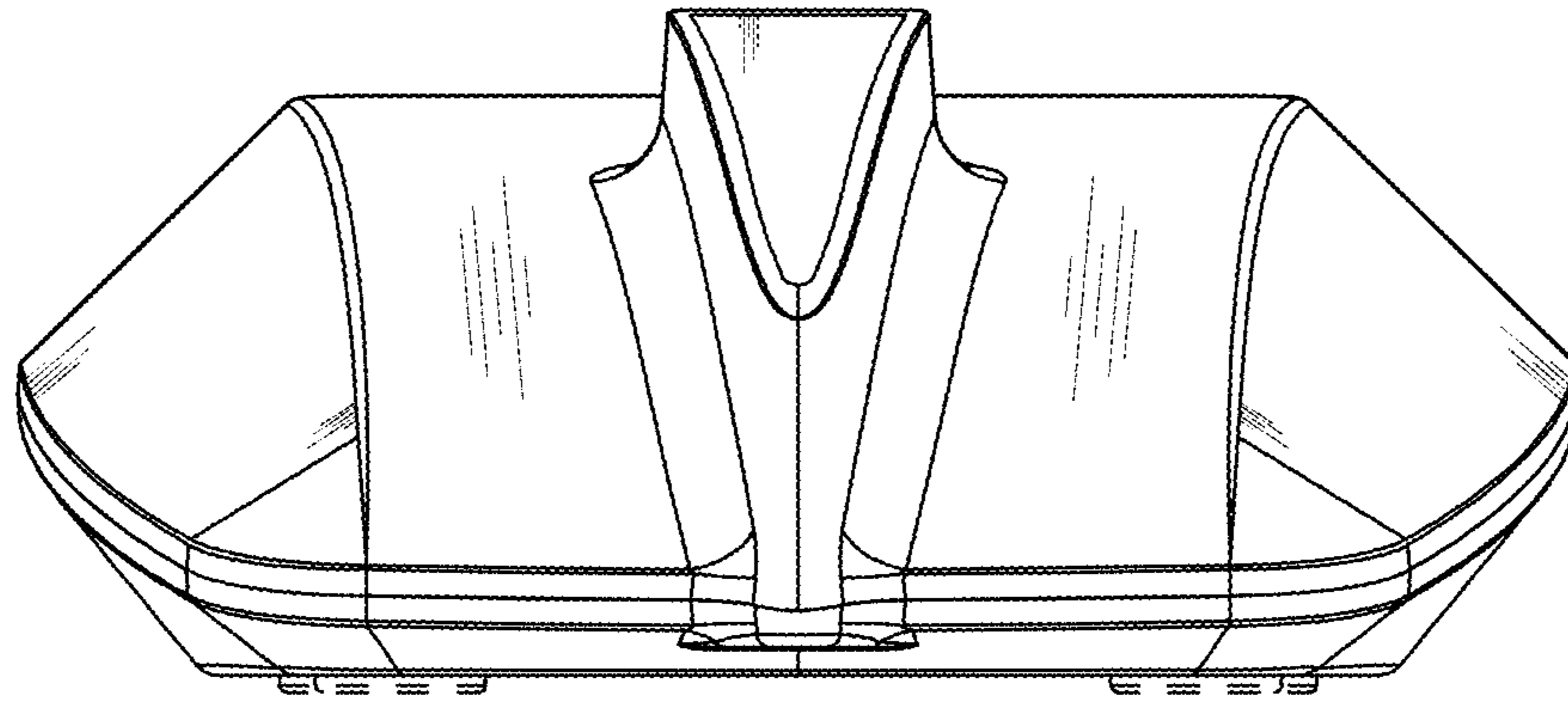


FIG.1

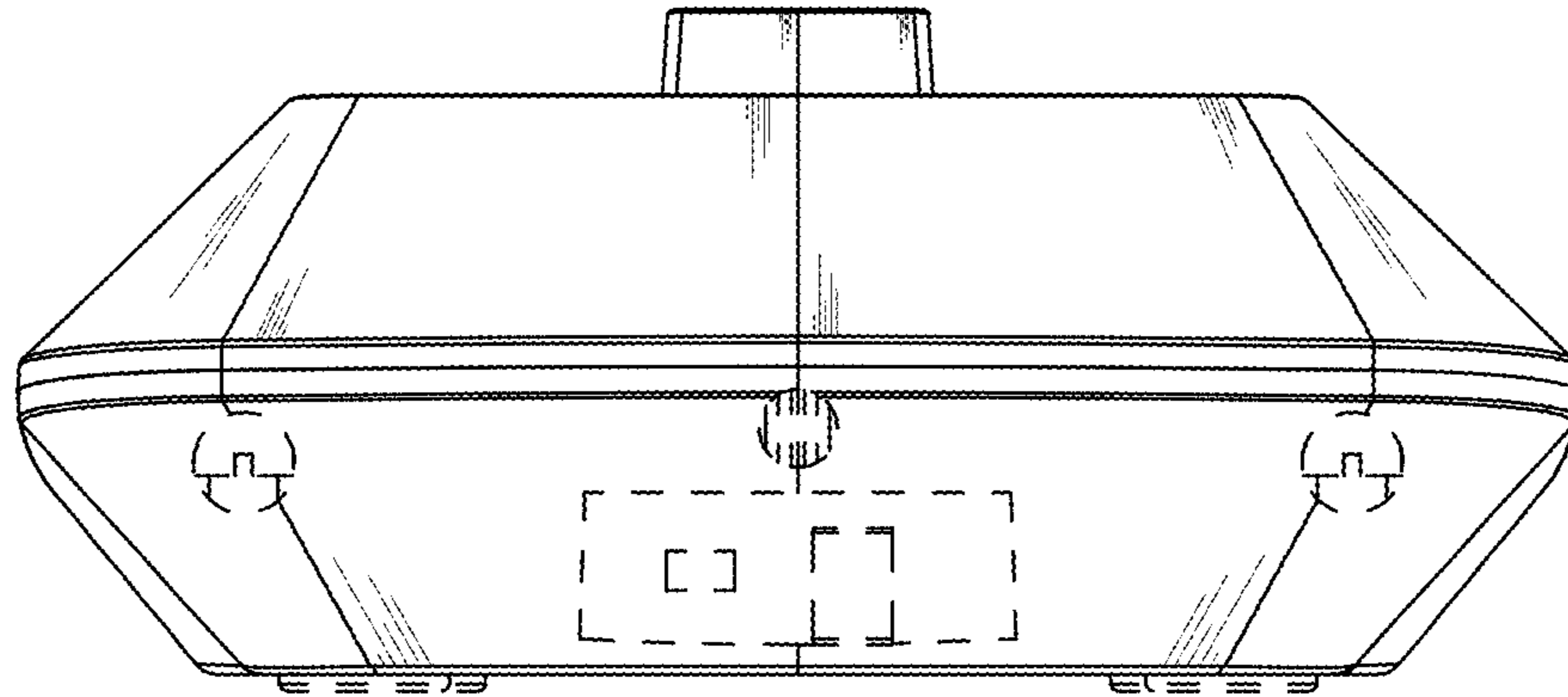


FIG.2

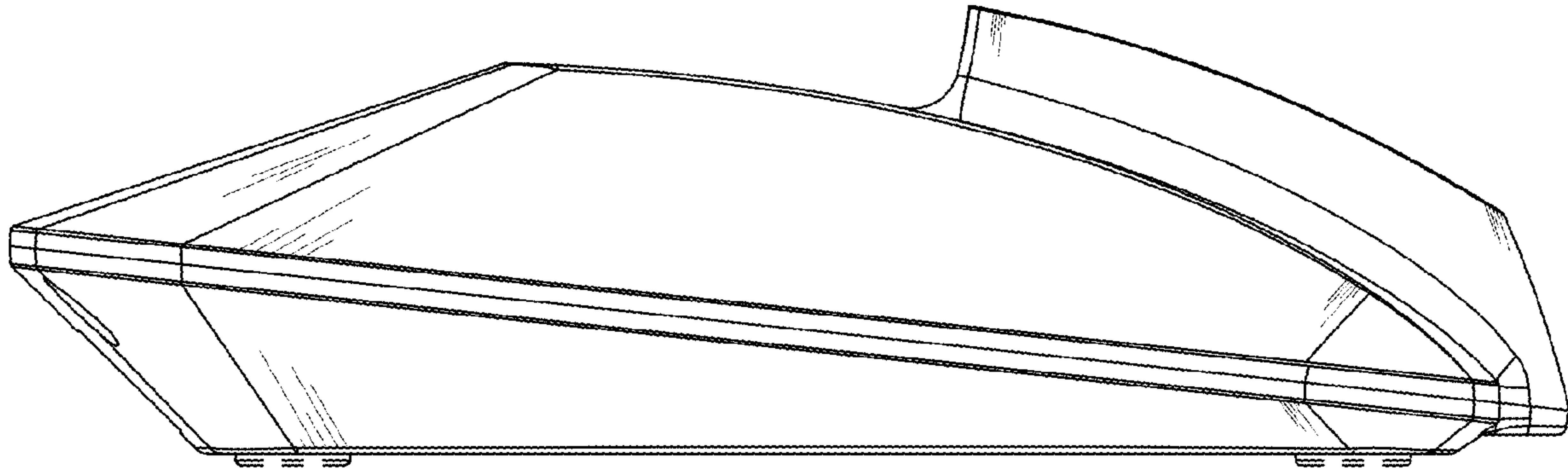


FIG.3

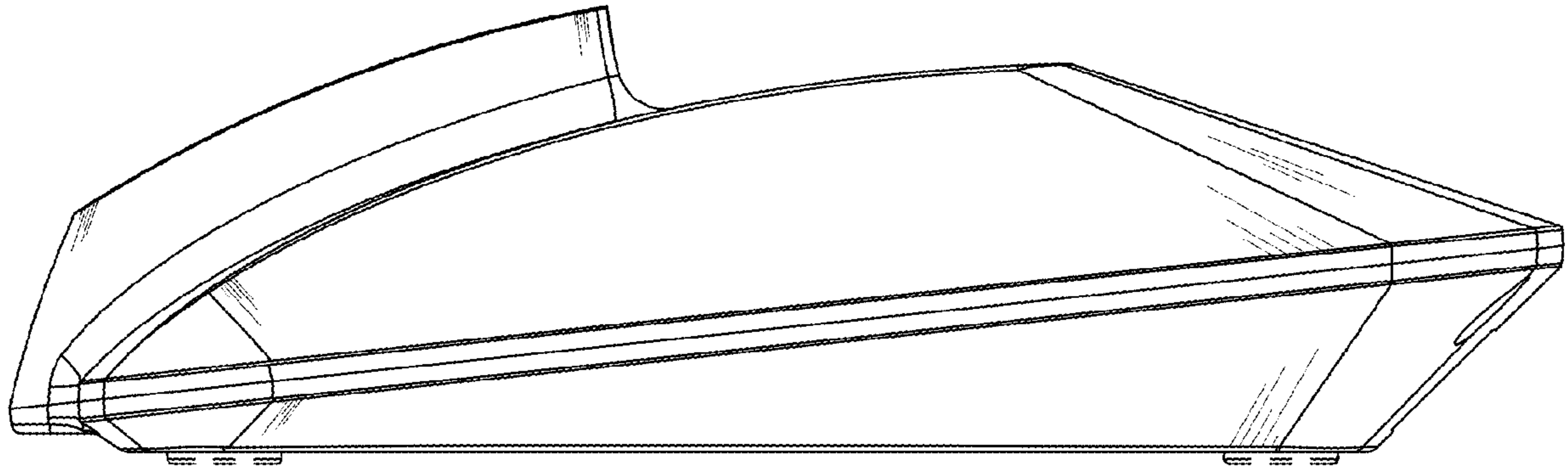


FIG.4

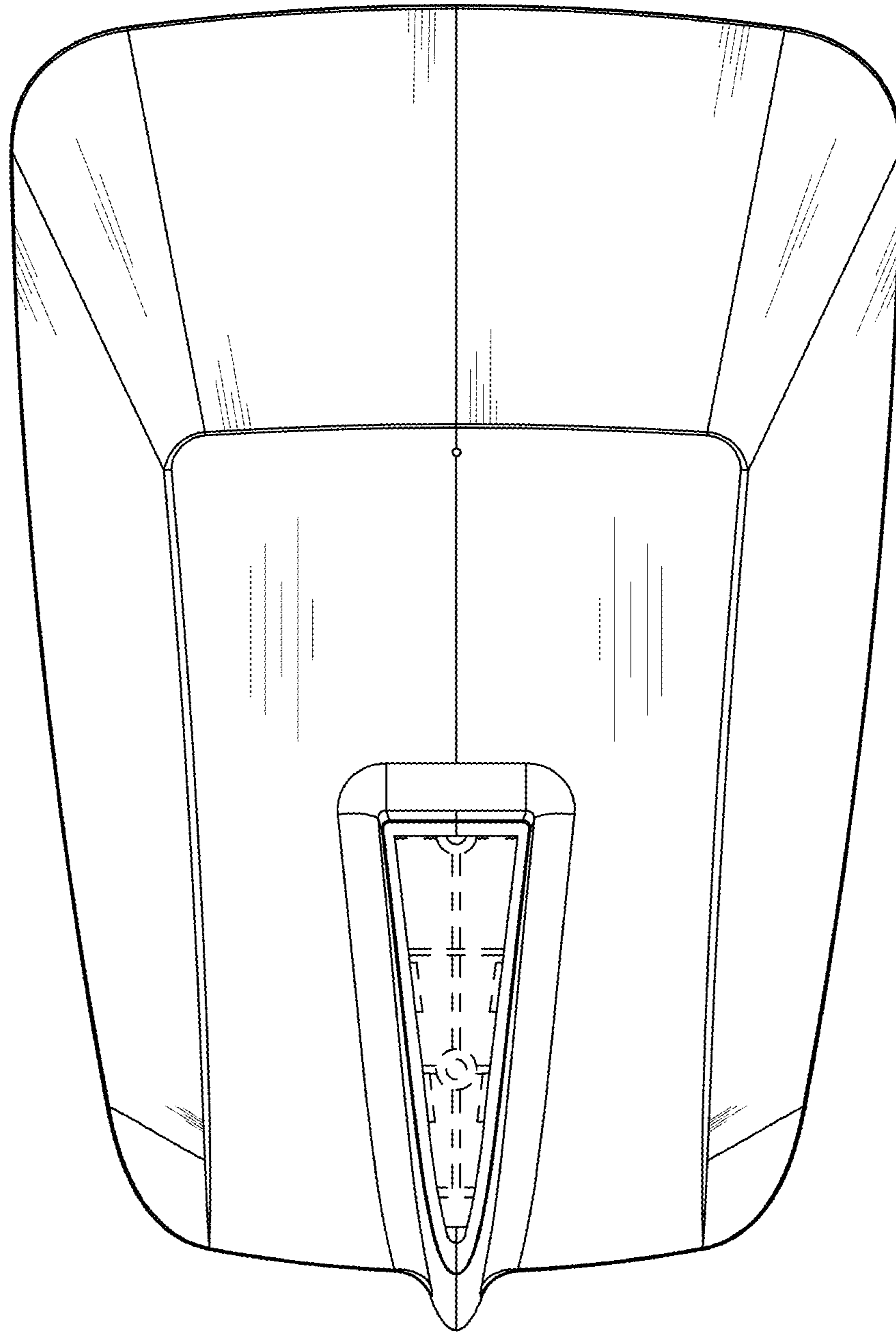


FIG.5

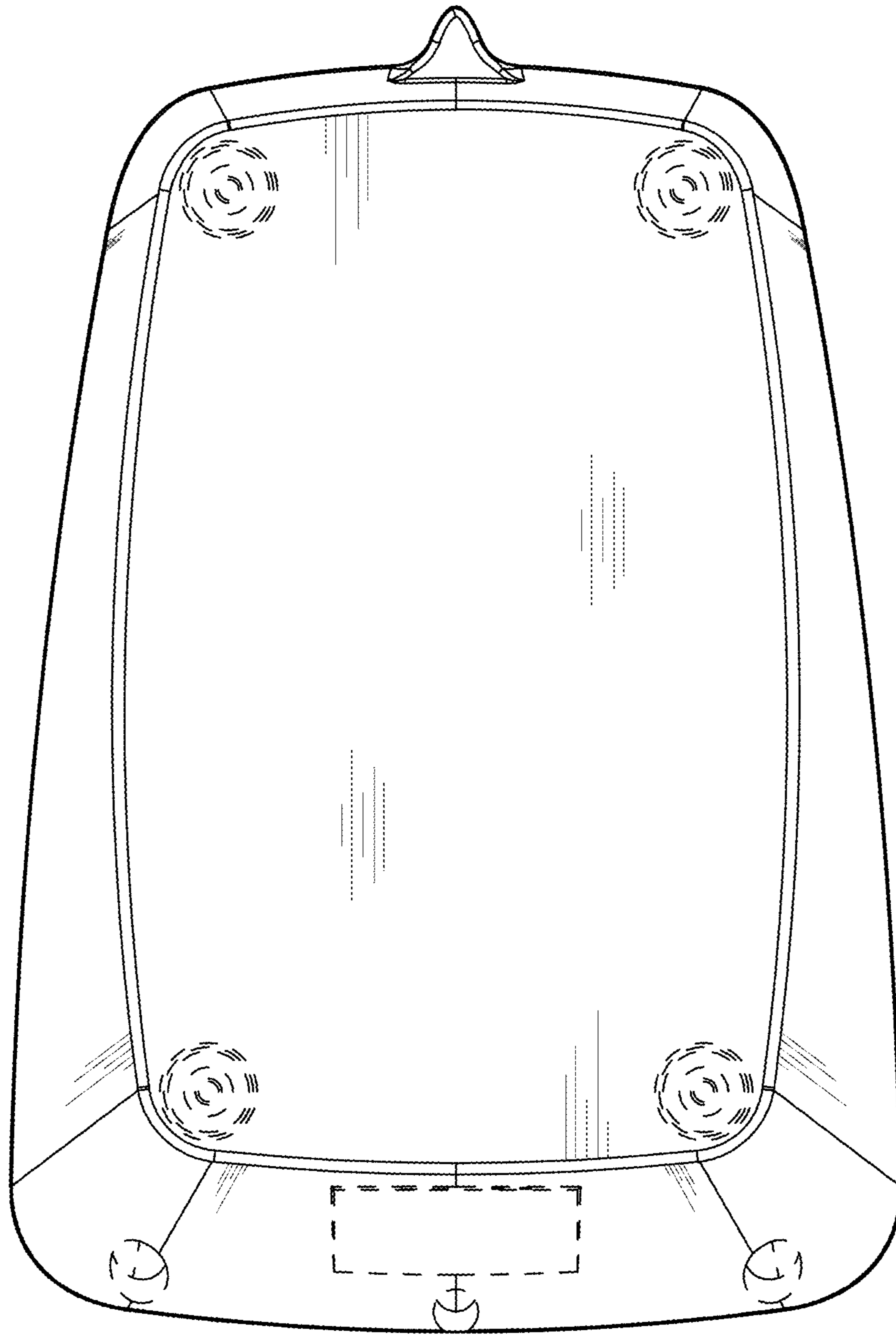


FIG.6

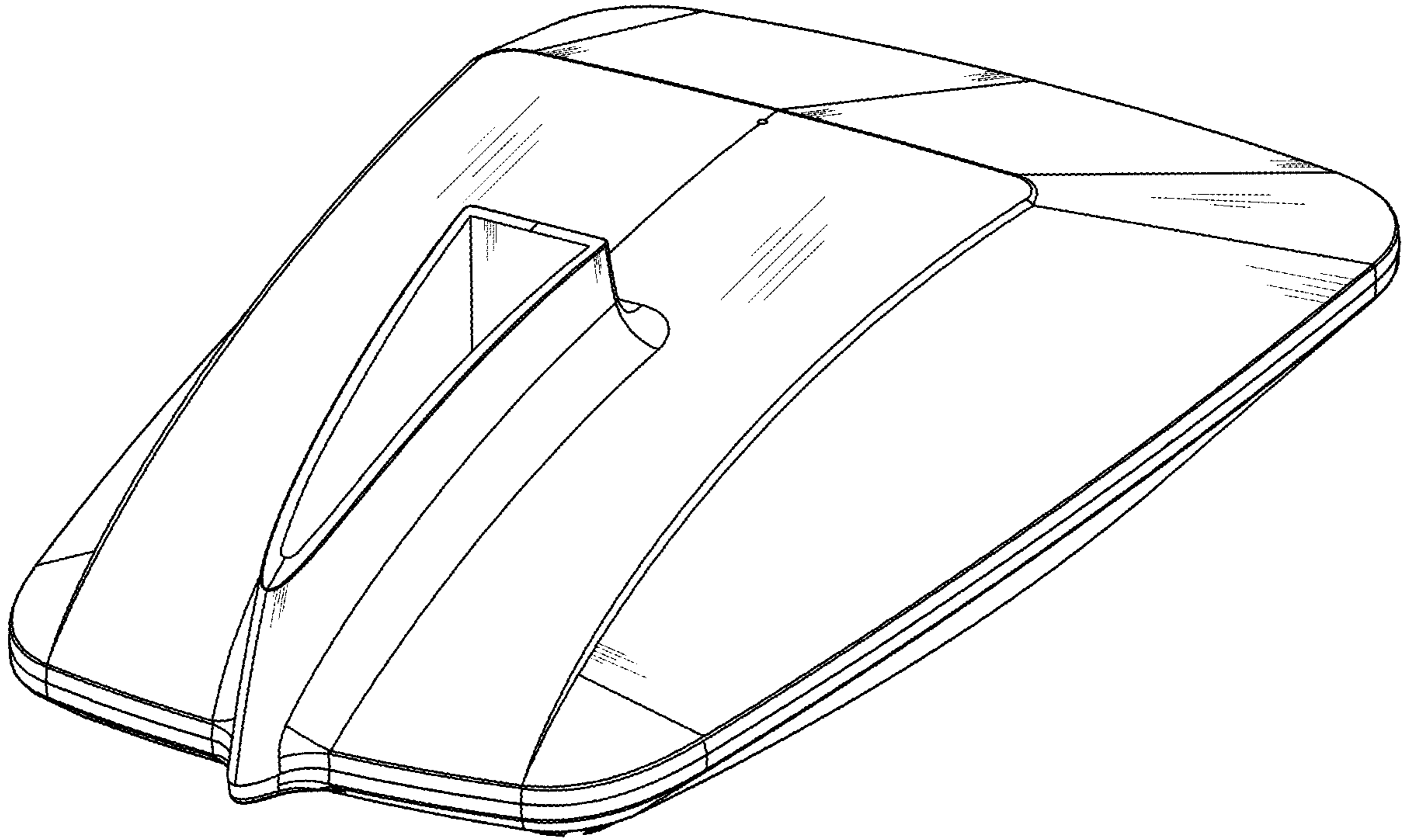


FIG.7

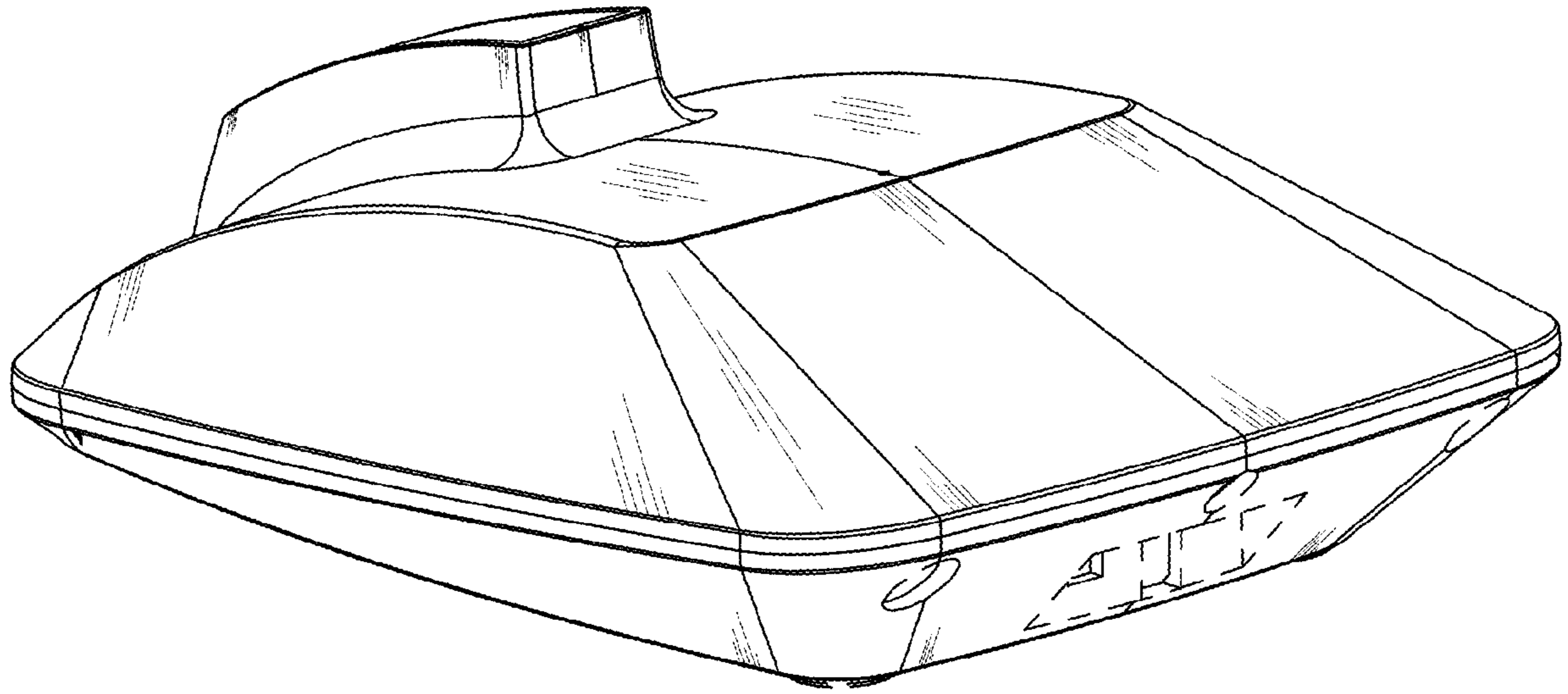


FIG.8