



US00D912648S

(12) **United States Design Patent**
Williamson et al.

(10) **Patent No.:** **US D912,648 S**

(45) **Date of Patent:** **** *Mar. 9, 2021**

- (54) **EARBUD**
- (71) Applicant: **Bose Corporation**, Framingham, MA (US)
- (72) Inventors: **Paul C. Williamson**, Worcester, MA (US); **Jingwei Dang**, Auburn, MA (US); **Kenneth D. Gagnon**, Westminister, MA (US); **Thomas Nilsen**, Auburn, MA (US)
- (73) Assignee: **Bose Corporation**, Framingham, MA (US)
- (*) Notice: This patent is subject to a terminal disclaimer.
- (**) Term: **15 Years**

3,061,689	A *	10/1962	McCarrell	H04R 25/606
					381/328
3,265,819	A *	8/1966	Herrmann	H04R 25/65
					381/321
D207,206	S *	3/1967	Geib	D24/174
D207,212	S *	3/1967	Geib	D24/174
D209,291	S *	11/1967	Geib	D24/174
D213,109	S *	1/1969	Young	D24/174
D215,675	S *	10/1969	Yran	D14/195
D236,988	S *	9/1975	Walters	D14/223
4,539,708	A *	9/1985	Norris	H04B 1/088
					455/100
D287,280	S *	12/1986	Topholm	D24/174
D287,764	S *	1/1987	Topholm	D24/174
D287,765	S *	1/1987	Topholm	D24/174
D295,173	S *	4/1988	Oren	D14/168
4,972,494	A *	11/1990	White	B65B 19/28
					209/535

- (21) Appl. No.: **29/674,538**
- (22) Filed: **Dec. 21, 2018**
- (51) **LOC (13) Cl.** **14-01**
- (52) **U.S. Cl.**
USPC **D14/223**
- (58) **Field of Classification Search**
USPC D14/223, 205; D24/174; 128/864, 865, 128/866; 181/129, 130, 135; 379/430, 379/431; 381/380, 381, 370, 374, 328, 381/330, 311; 455/90.3, 575.1, 569.1
CPC H04R 1/10; H04R 25/00; H04R 25/02; H04R 1/1066; H04R 1/1016; H04R 5/033; H04R 5/0335; H04R 1/1091; H04R 1/1058; H04R 1/105; H04R 5/02
See application file for complete search history.

- (56) **References Cited**
U.S. PATENT DOCUMENTS
2,430,229 A * 11/1947 Kelsey H04R 1/1058
381/338
2,535,258 A * 12/1950 Bland H04R 25/656
181/135

(Continued)

Primary Examiner — Paula Allen Greene
(74) *Attorney, Agent, or Firm* — Bose Corporation

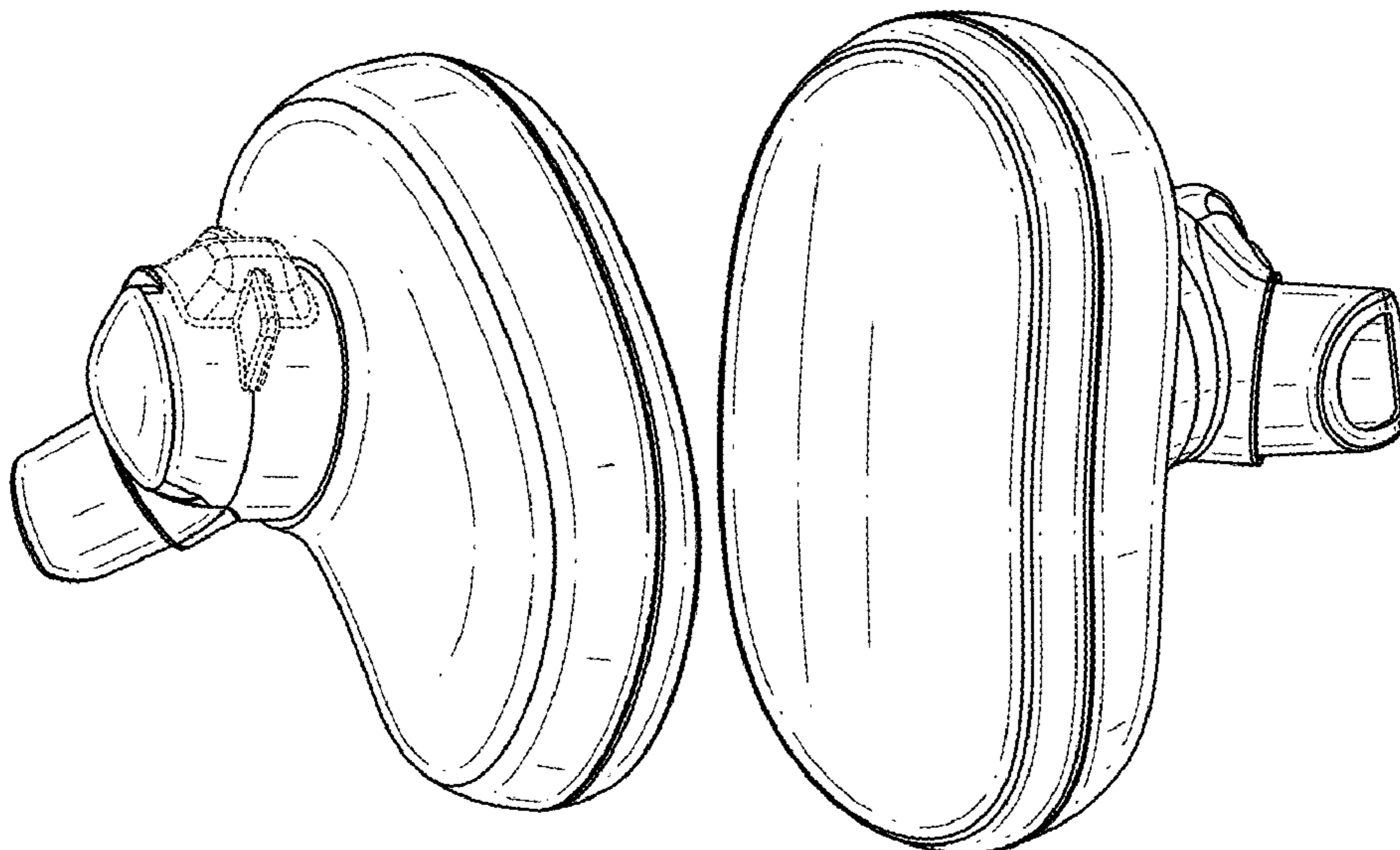
(57) **CLAIM**

The ornamental design for earbud, substantially as shown and described.

DESCRIPTION

FIG. 1 is a front perspective view of an earbud; FIG. 2 is a rear perspective view thereof; FIG. 3 is a left side view thereof; FIG. 4 is a front view thereof; FIG. 5 is a right side view thereof; FIG. 6 is a rear view thereof; FIG. 7 is a top view thereof; and, FIG. 8 is a bottom view thereof. The dotted lines immediately adjacent the surface of the earbud represent the bounds of the claimed design, while all other dotted lines represent environmental structure only and do not form part of the claimed design.

1 Claim, 3 Drawing Sheets



(56)

References Cited

U.S. PATENT DOCUMENTS

5,048,090 A * 9/1991 Geers H04R 25/60
381/323
D321,881 S * 11/1991 Hopewell D14/192
D348,066 S * 6/1994 Lucey D14/205
5,544,253 A * 8/1996 Nagayoshi H04R 1/1016
381/385
D391,576 S * 3/1998 Mullin D14/223
D413,379 S * 8/1999 Leight D24/106
D417,465 S * 12/1999 Kreitz D14/192
D419,676 S * 1/2000 Garcia D24/173
6,203,349 B1 * 3/2001 Nakazawa H01R 13/623
439/314
D471,898 S * 3/2003 Bae D14/205
D477,593 S * 7/2003 Komiyama D14/223
D477,822 S * 7/2003 Komiyama D14/223
D481,709 S * 11/2003 Solderits D14/223
6,760,459 B2 * 7/2004 Bae H04R 1/1025
379/430
D502,171 S * 2/2005 Tang D14/205
D505,411 S * 5/2005 Sakai D14/192
D517,053 S * 3/2006 Ham D14/223
D519,108 S * 4/2006 Yang D14/223
7,164,262 B2 * 1/2007 Zacay G01D 11/24
324/115
D554,756 S * 11/2007 Sjursen D24/174
D575,277 S * 8/2008 Gaarde D14/205
D579,006 S * 10/2008 Kim D14/223
D584,294 S * 1/2009 Nam D14/223
D588,111 S * 3/2009 Komiyama D14/223
D603,380 S * 11/2009 Hutchieson D14/223
D613,726 S * 4/2010 Blanchard D14/223
D631,470 S * 1/2011 Yoneyama D14/223
7,899,200 B2 * 3/2011 Karamuk H04R 25/656
381/322

D637,997 S * 5/2011 Peller D14/205
D637,999 S * 5/2011 Brunner D14/205
8,031,894 B2 * 10/2011 Perkins H04R 25/652
381/328
D652,817 S * 1/2012 Lee D14/205
D652,822 S * 1/2012 Lee D14/223
D654,056 S * 2/2012 Hoggarth D14/205
D666,581 S * 9/2012 Perez D14/223
8,565,466 B2 * 10/2013 Kuhr H04R 1/1016
381/322
D699,226 S * 2/2014 Yoon D14/206
D711,356 S * 8/2014 Yang D14/223
D725,082 S * 3/2015 Palmborg D14/223
D733,102 S * 6/2015 Palmborg D14/223
D735,169 S * 7/2015 Shieh D14/223
D742,861 S * 11/2015 Miyake D14/223
9,398,365 B2 * 7/2016 Liu H04R 1/1016
D764,445 S * 8/2016 Czaniecki D14/223
D777,710 S * 1/2017 Palmborg D14/223
D781,269 S * 3/2017 Choe D14/223
D782,997 S * 4/2017 Shin D14/205
D782,998 S * 4/2017 Shin D14/205
D789,909 S * 6/2017 Hung D14/223
D795,225 S * 8/2017 Sumii D14/223
D798,843 S * 10/2017 Valenzuela D14/223
D822,646 S * 7/2018 Dang et al.
2003/0156729 A1 * 8/2003 Bae H04R 1/1025
381/370
2004/0096075 A1 * 5/2004 Kuhlmann A61F 11/00
381/312
2007/0183615 A1 * 8/2007 Wurfel H04R 25/656
381/330
2009/0202094 A1 * 8/2009 Ammitzboll H04R 25/652
381/328
2010/0278364 A1 * 11/2010 Berg H04R 5/033
381/311

* cited by examiner

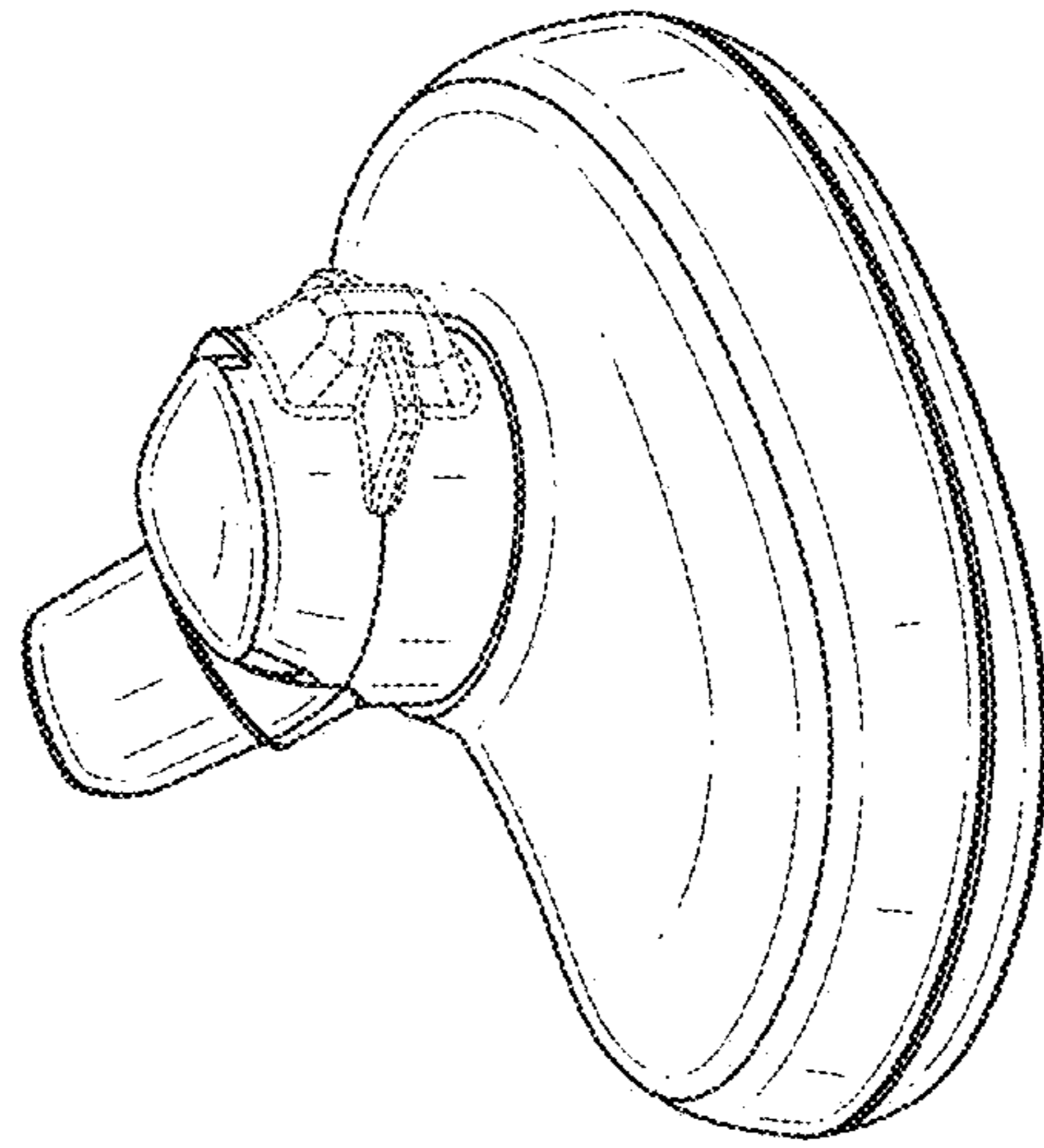


FIG. 1

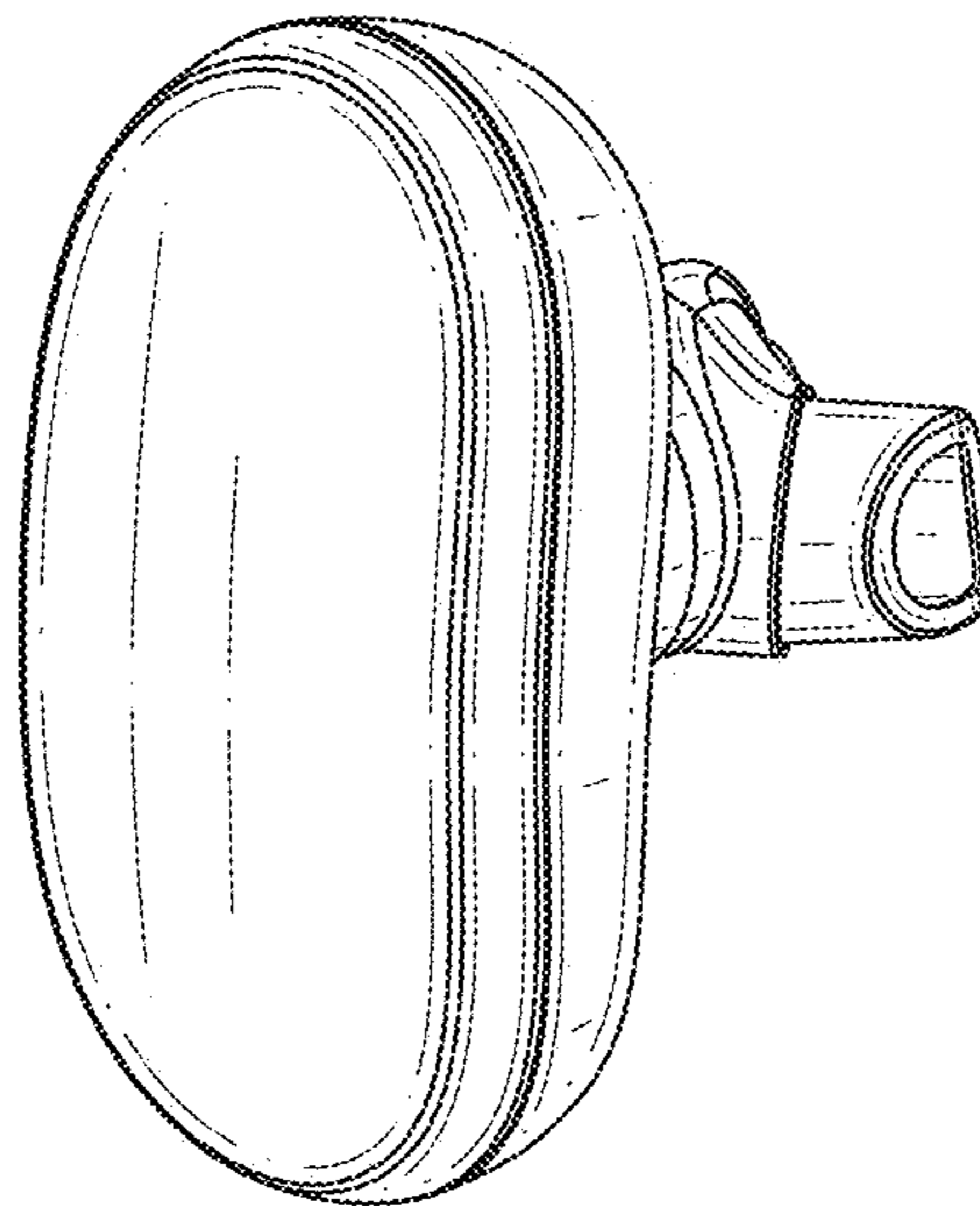


FIG. 2

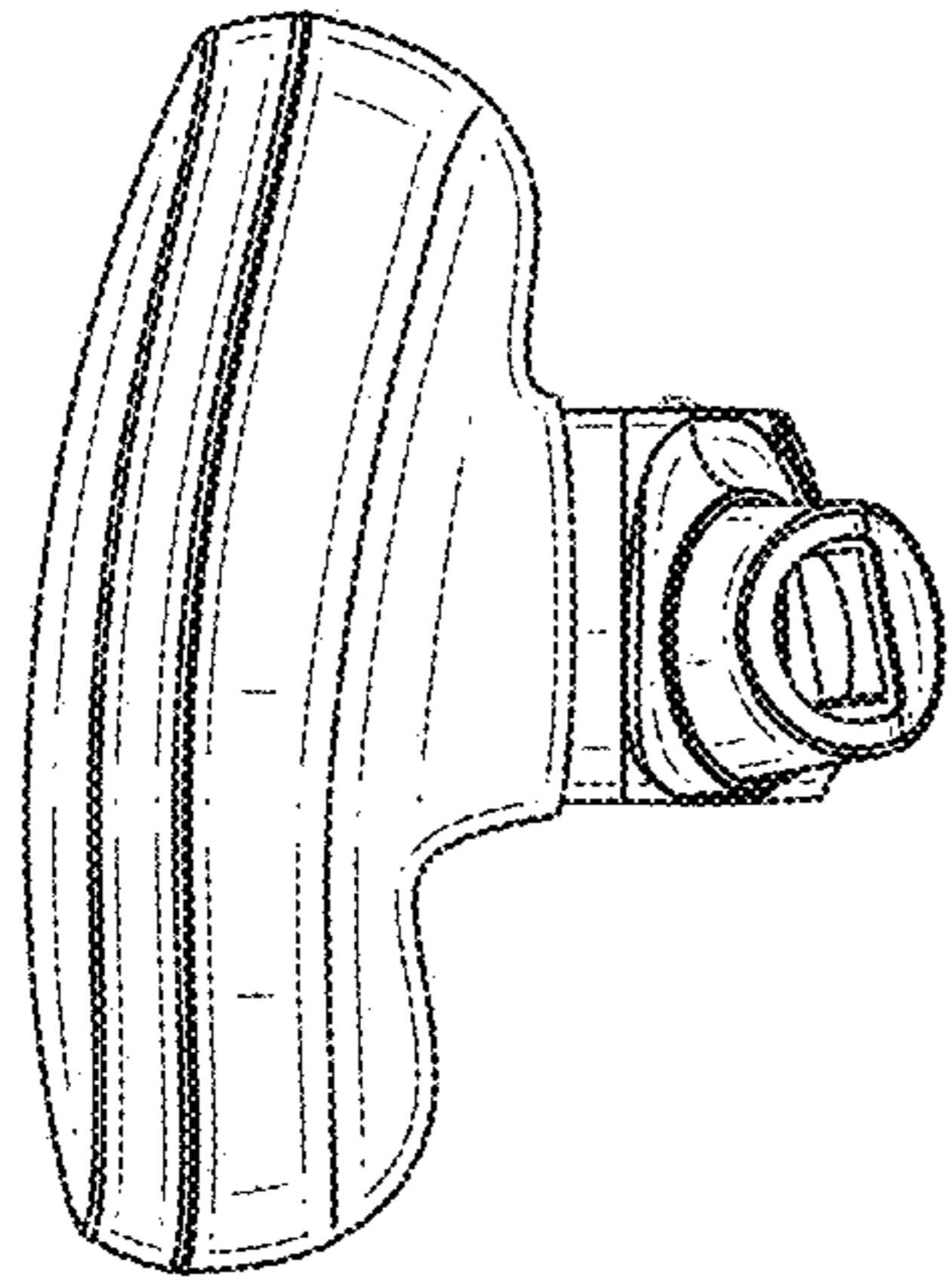


FIG. 3

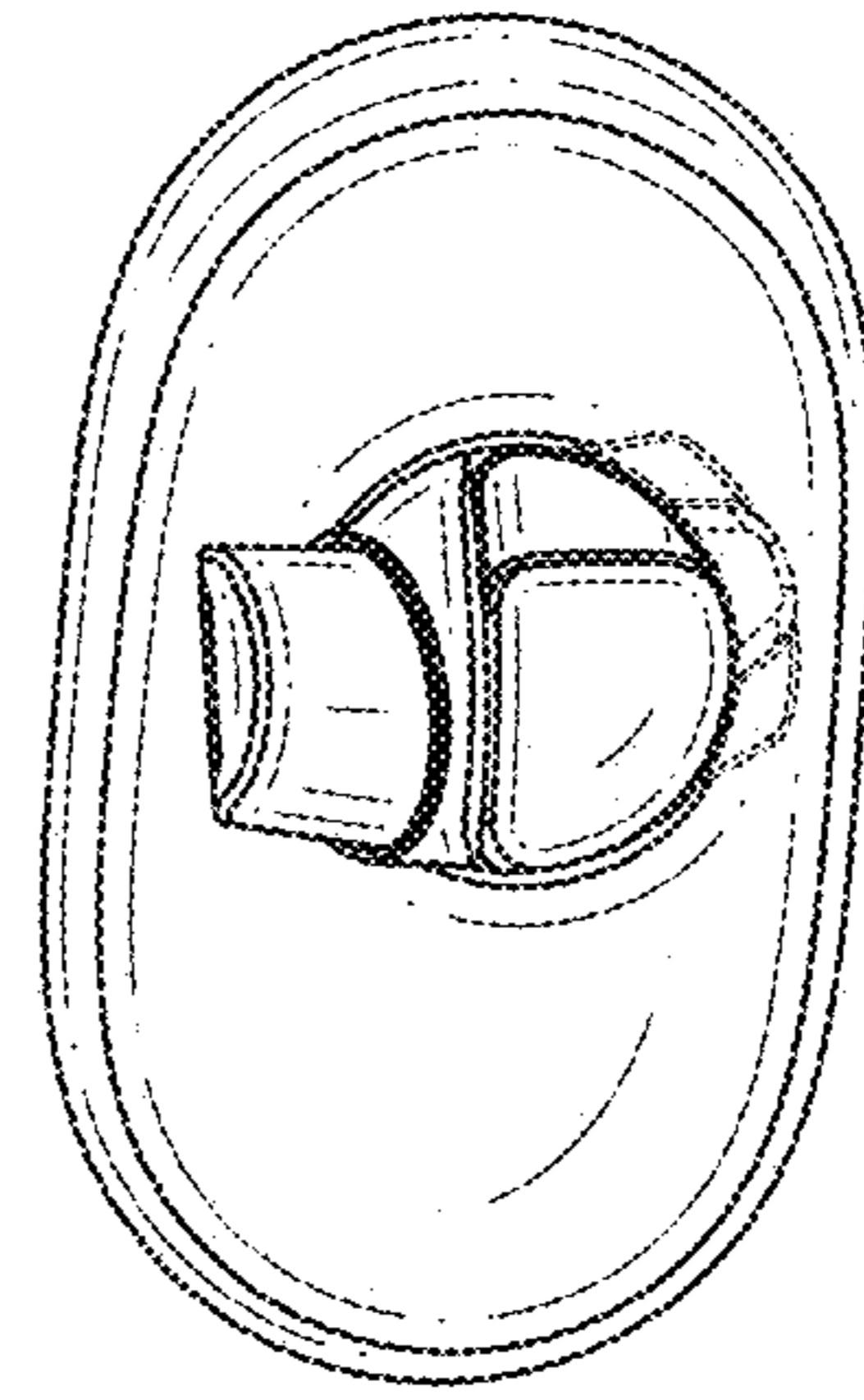


FIG. 4

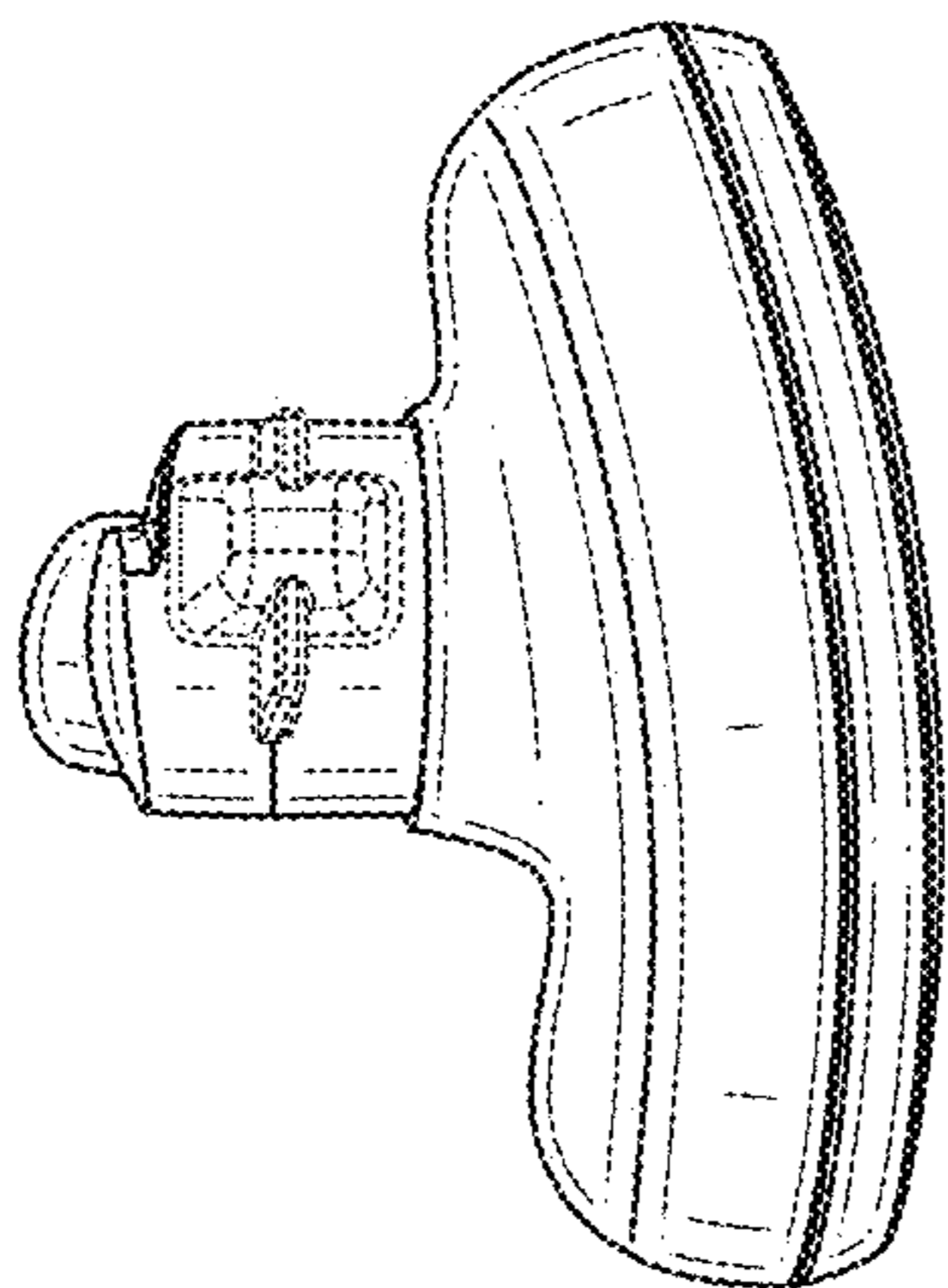


FIG. 5

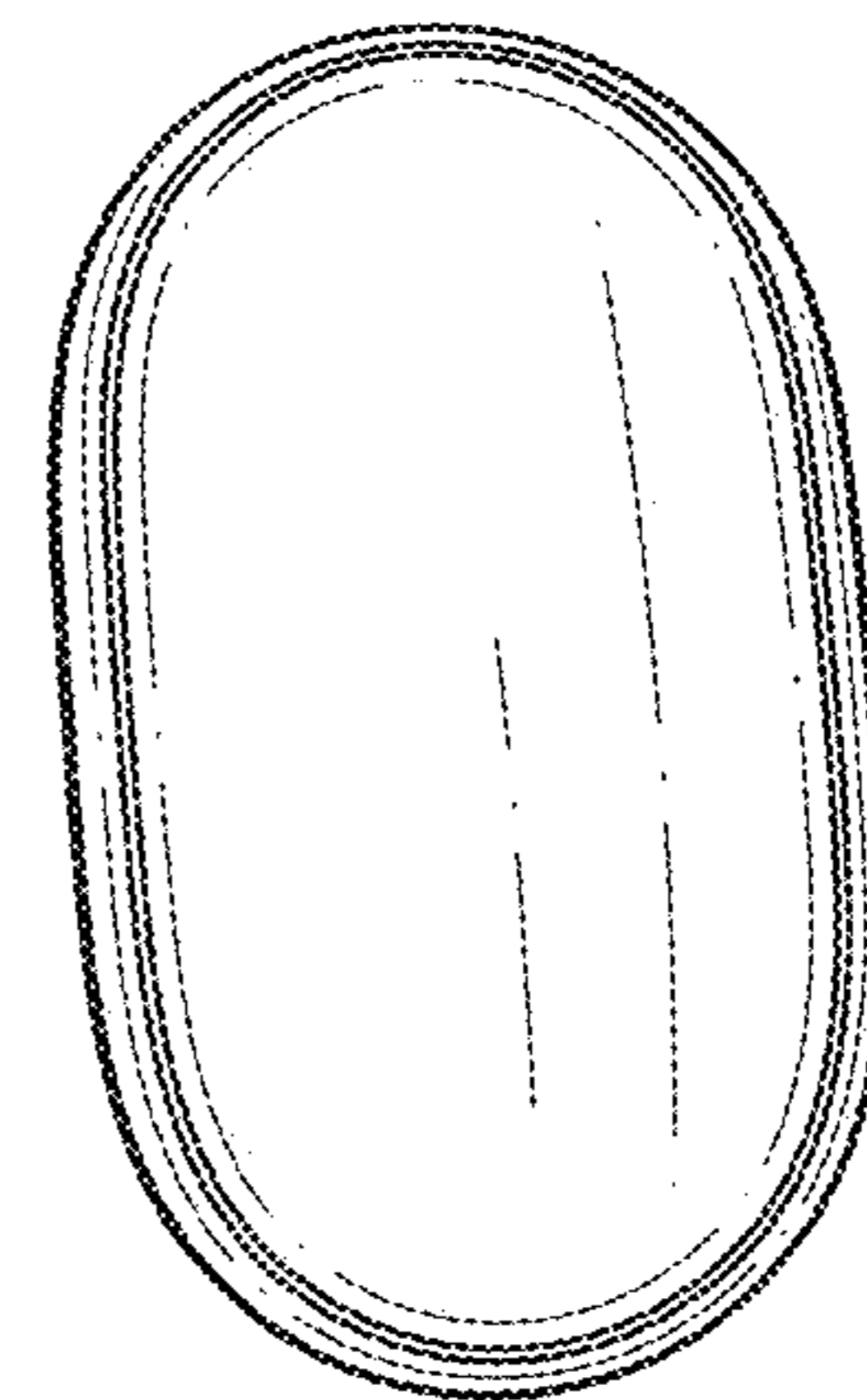


FIG. 6

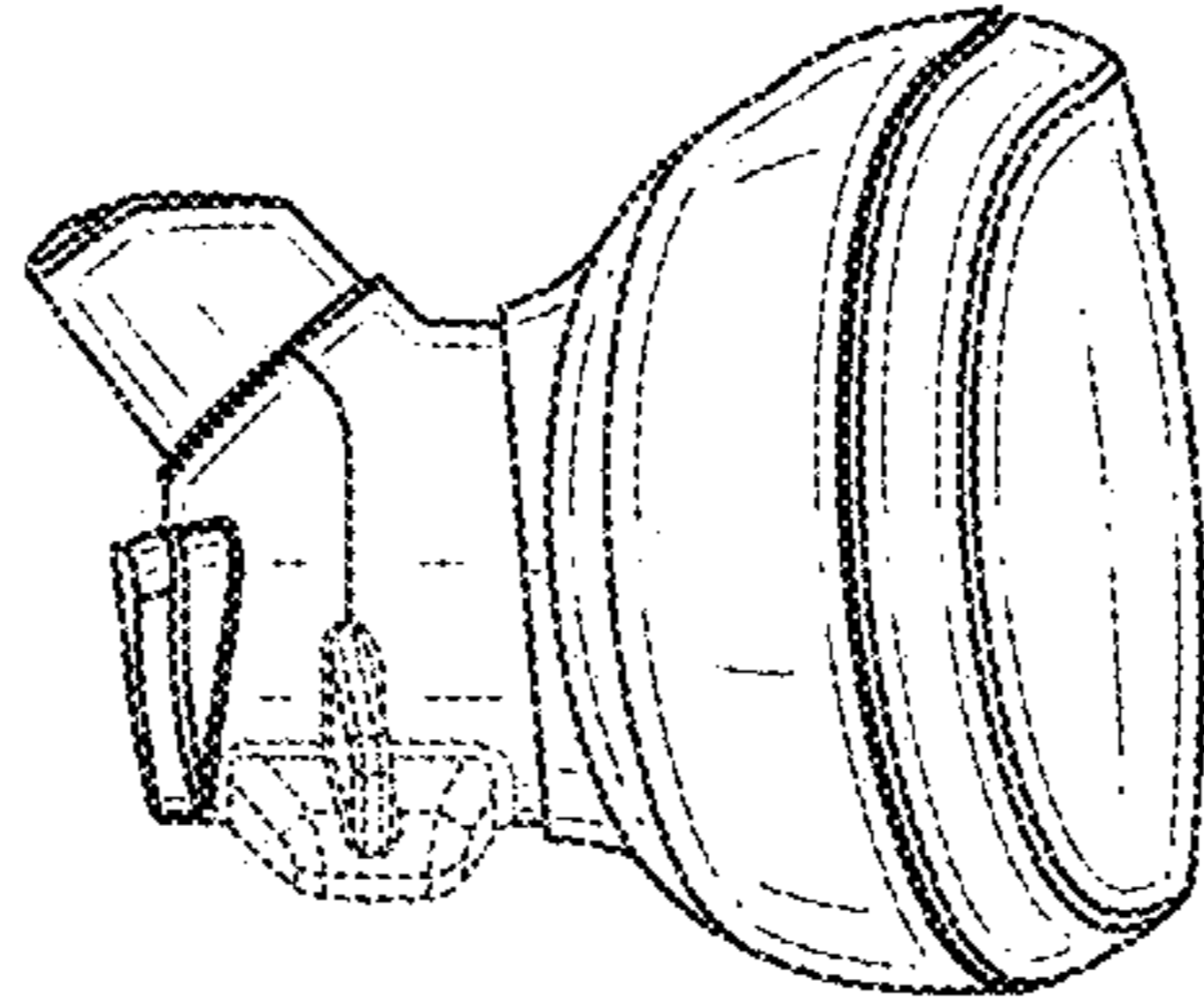


FIG. 7

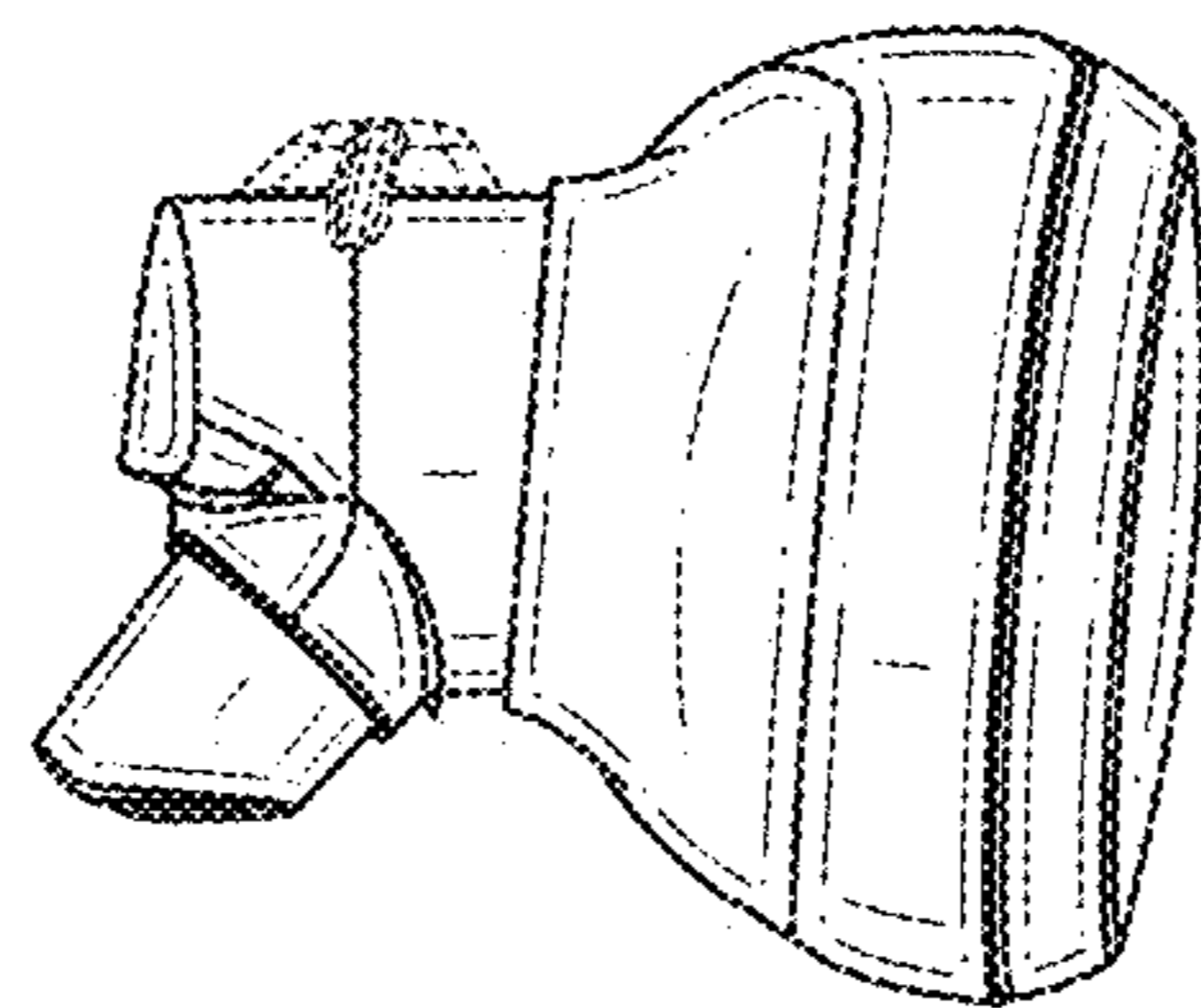


FIG. 8