



US00D912646S

(12) **United States Design Patent** (10) **Patent No.:** **US D912,646 S**  
**Fu** (45) **Date of Patent:** **\*\* Mar. 9, 2021**

(54) **REMOTE CONTROLLER**  
(71) Applicant: **Shenzhen Shuanghongyuan Technology Co., Ltd., Shenzhen (CN)**  
(72) Inventor: **Hongjian Fu, Shenzhen (CN)**  
(\*\*) Term: **15 Years**  
(21) Appl. No.: **29/744,735**

D726,664 S 4/2015 McCullar et al.  
D735,696 S \* 8/2015 Sirpal ..... D14/218  
D741,283 S \* 10/2015 Semana ..... D14/158  
D788,223 S \* 5/2017 Grady ..... D19/60  
D789,366 S \* 6/2017 Jentz ..... D14/388  
D805,501 S \* 12/2017 Akana ..... D14/218  
D851,607 S \* 6/2019 Chen ..... D13/168  
D856,308 S \* 8/2019 Pang ..... D14/218  
D868,037 S \* 11/2019 Zhuang ..... D14/218  
D901,452 S \* 11/2020 Maier ..... D14/218

\* cited by examiner

(22) Filed: **Jul. 31, 2020**  
(51) **LOC (13) Cl.** ..... **14-03**  
(52) **U.S. Cl.**  
USPC ..... **D14/218**  
(58) **Field of Classification Search**  
USPC ..... D14/218; D13/168  
CPC .. A47C 31/008; A61G 13/02; G07C 9/00944;  
G08C 17/00; G08C 17/02; H04B 1/202;  
H01H 9/02; H01H 9/0214; H01H 9/0235;  
H01H 9/0242  
See application file for complete search history.

*Primary Examiner* — John Windmuller  
(74) *Attorney, Agent, or Firm* — ZANIP

(57) **CLAIM**

The ornamental design for a remote controller, as shown and described.

**DESCRIPTION**

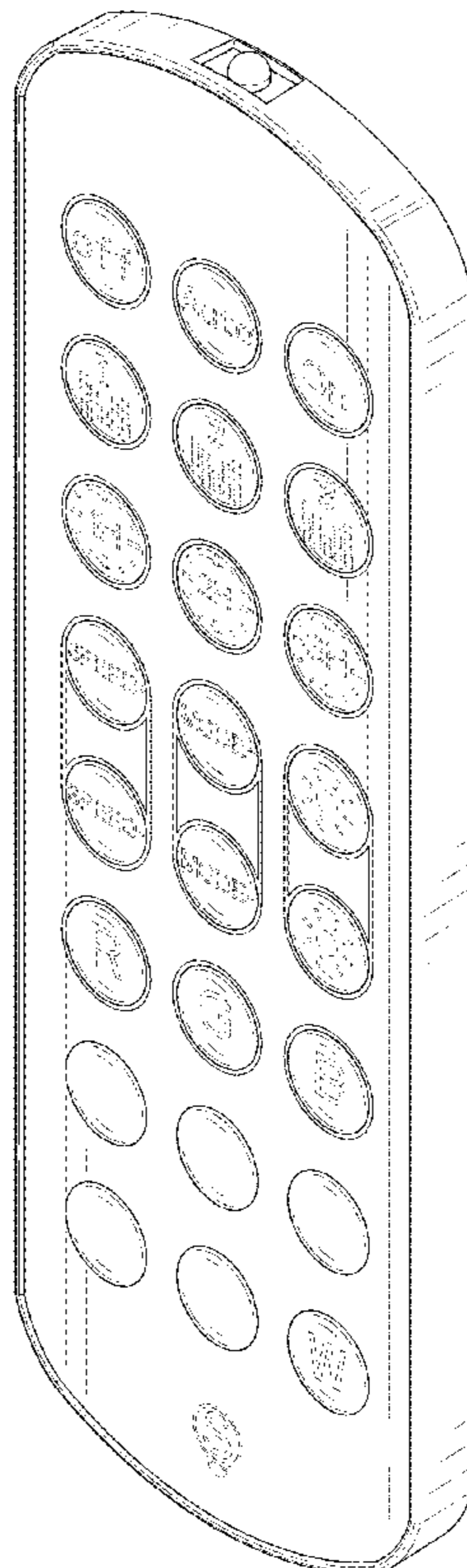
FIG. 1 is a front and top perspective view of a remote controller, showing my new design;  
FIG. 2 is a rear and bottom perspective view thereof;  
FIG. 3 is a front elevational view thereof;  
FIG. 4 is a rear elevational view thereof;  
FIG. 5 is a left side elevational view thereof;  
FIG. 6 is a right side elevational view thereof;  
FIG. 7 is a top plan view thereof; and,  
FIG. 8 is a bottom plan view thereof.  
The broken lines in the figures illustrate portions of the article that form no part of the claimed design.

(56) **References Cited**

**U.S. PATENT DOCUMENTS**

D476,975 S \* 7/2003 Rodriguez, Sr. .... D14/218  
D495,801 S \* 9/2004 Kim ..... D24/200  
D596,163 S \* 7/2009 Madonna ..... D14/218  
D633,478 S \* 3/2011 Bolton ..... D14/218  
D645,848 S \* 9/2011 Arnholt ..... D14/218  
D714,761 S \* 10/2014 O'Neil ..... D14/218  
D714,762 S \* 10/2014 O'Neil ..... D14/218

**1 Claim, 8 Drawing Sheets**



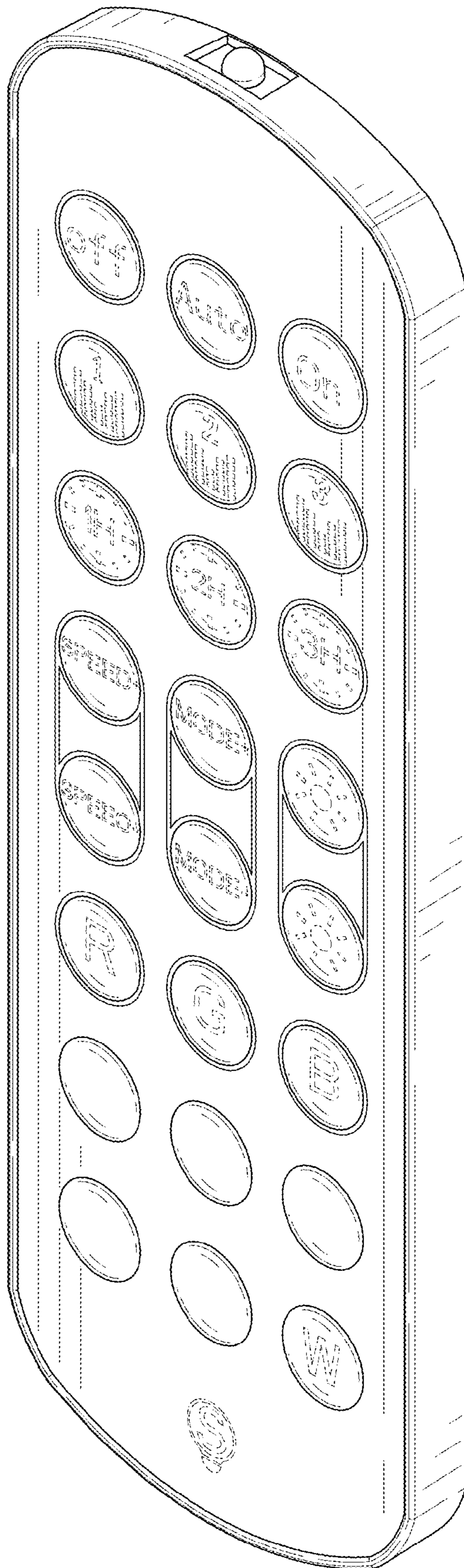


FIG. 1

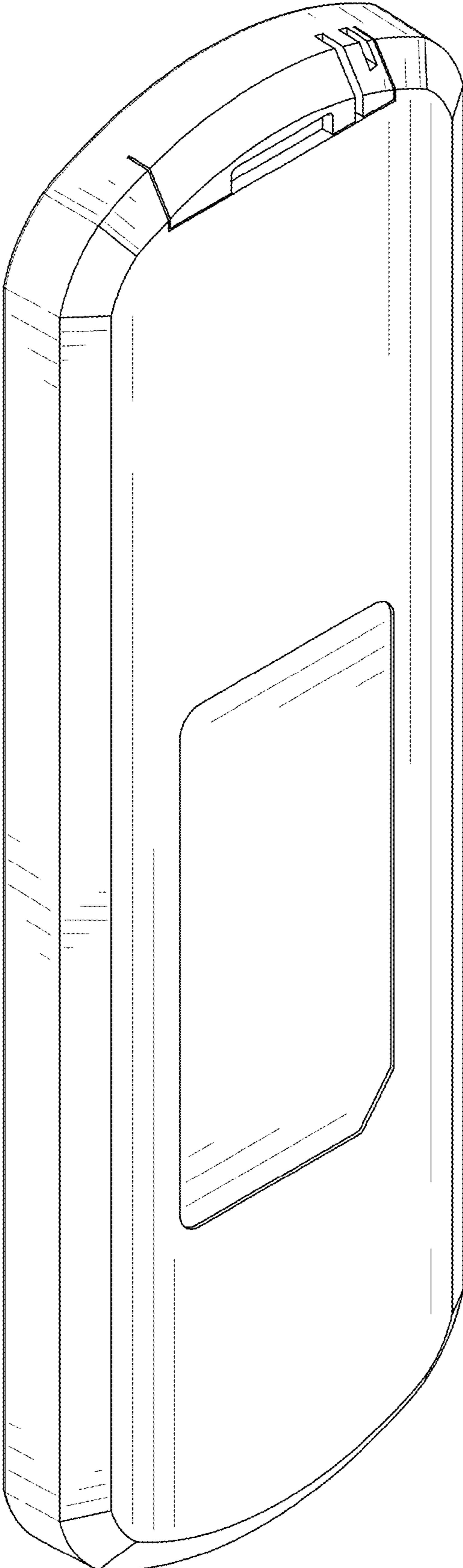


FIG. 2

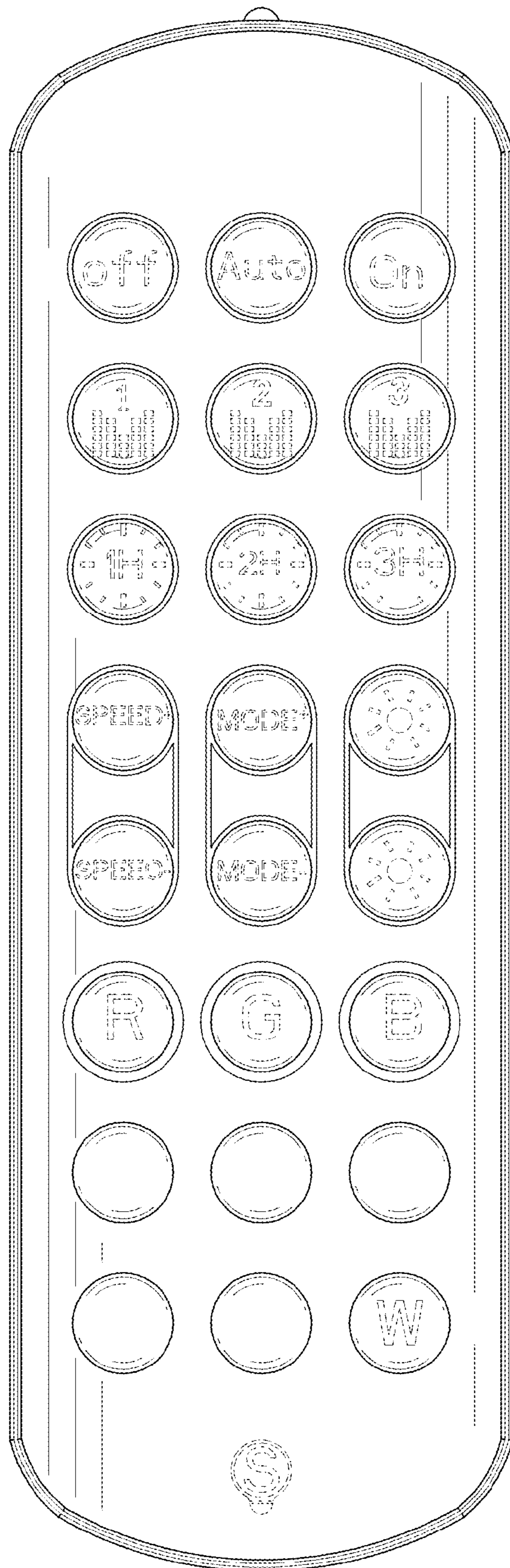


FIG. 3

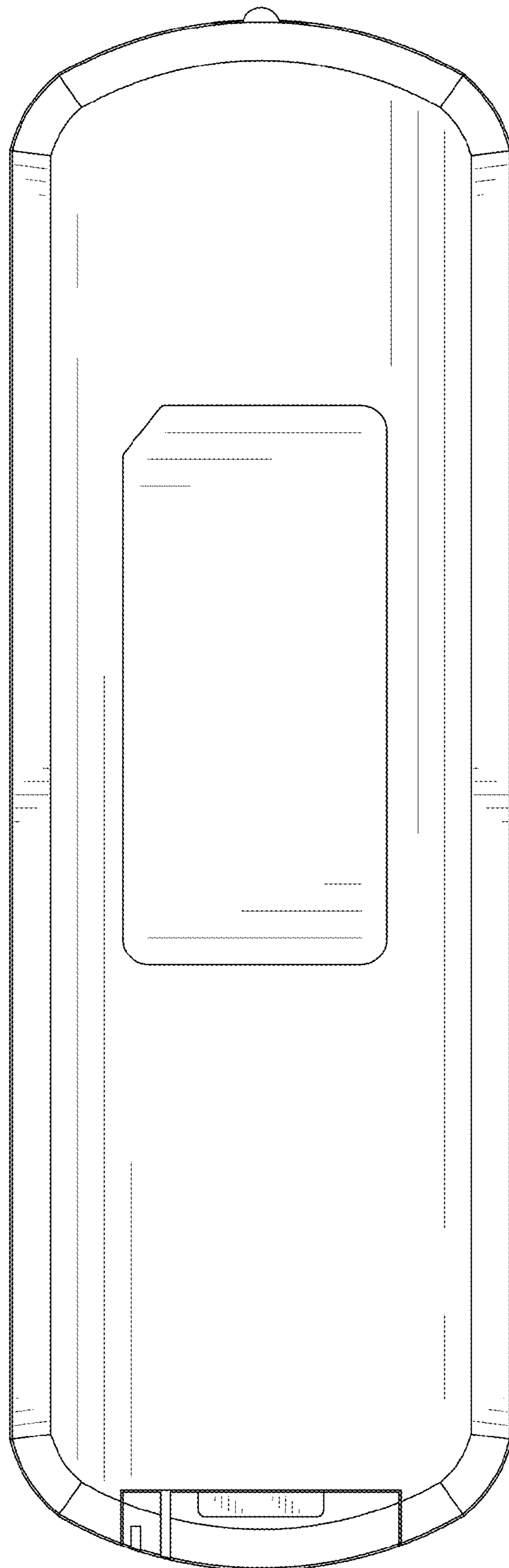


FIG. 4

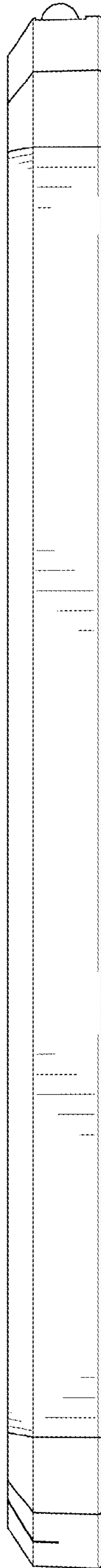


FIG. 5

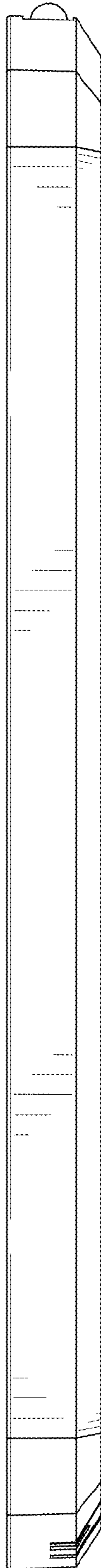


FIG. 6

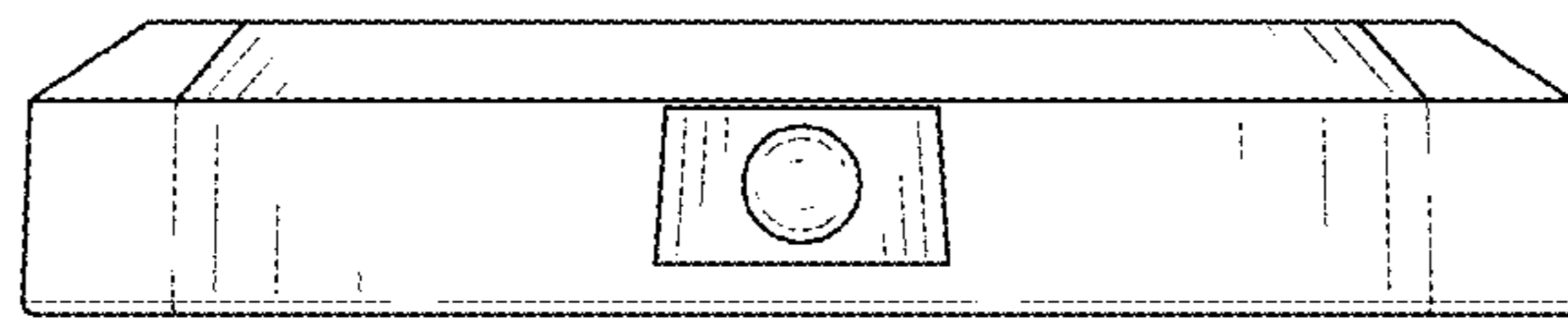


FIG. 7



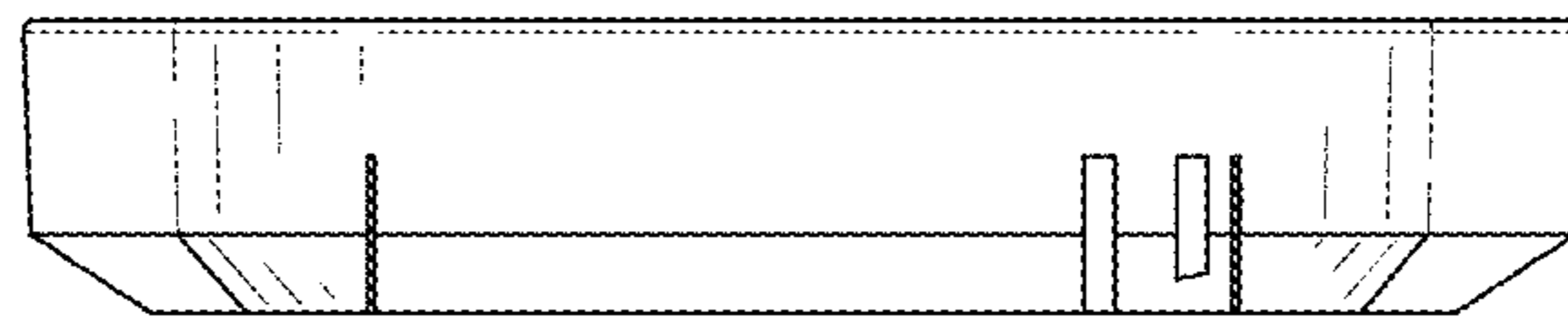


FIG. 8