



US00D912643S

(12) **United States Design Patent**
Nakayama et al.

(10) **Patent No.:** **US D912,643 S**
(45) **Date of Patent:** **** Mar. 9, 2021**

(54) **HEADPHONE**

(71) Applicants: **Sintai Optical (Shenzhen) Co., Ltd.**,
ShenZhen (CN); **Asia Optical Co., Inc.**,
Taichung (TW)

(72) Inventors: **Yasuhiko Nakayama**, Taichung (TW);
Tomoya Takahashi, Taichung (TW);
Takayuki Karasawa, Taichung (TW);
Haruhiko Nishizawa, Taichung (TW);
Xian-Bang Xie, Taichung (TW);
Gui-Feng Li, Taichung (TW)

(73) Assignees: **SINTAI OPTICAL (SHENZHEN)**
CO., LTD., Shenzhen (CN); **ASIA**
OPTICAL CO., INC., Taichung (TW)

(**) Term: **15 Years**

(21) Appl. No.: **29/676,349**

(22) Filed: **Jan. 10, 2019**

(30) **Foreign Application Priority Data**

Aug. 1, 2018 (TW) 10730446.7
Oct. 26, 2018 (TW) 10730633.2

(51) **LOC (13) Cl.** **14-01**

(52) **U.S. Cl.**
USPC **D14/205**

(58) **Field of Classification Search**
USPC D14/205, 188, 192; 381/371, 380, 381,
381/374; 455/90.3, 575.1, 569.1
CPC H04R 25/00; H04R 25/02; H04R 1/1066;
H04R 1/1016; H04R 5/033; H04R
5/0335; H04R 1/1091
See application file for complete search history.

(56) **References Cited**

U.S. PATENT DOCUMENTS

1,133,833 A * 3/1915 Adams Randall ... H04R 5/0335
381/378
4,302,635 A * 11/1981 Jacobsen H04R 1/1058
381/371

D266,417 S * 10/1982 Perez D14/165
D286,632 S * 11/1986 Teunis D14/205
D302,429 S * 7/1989 Leer D14/137
D321,879 S * 11/1991 Emmerling D14/188

(Continued)

Primary Examiner — Paula Allen Greene

(74) *Attorney, Agent, or Firm* — McClure, Qualey &
Rodack, LLP

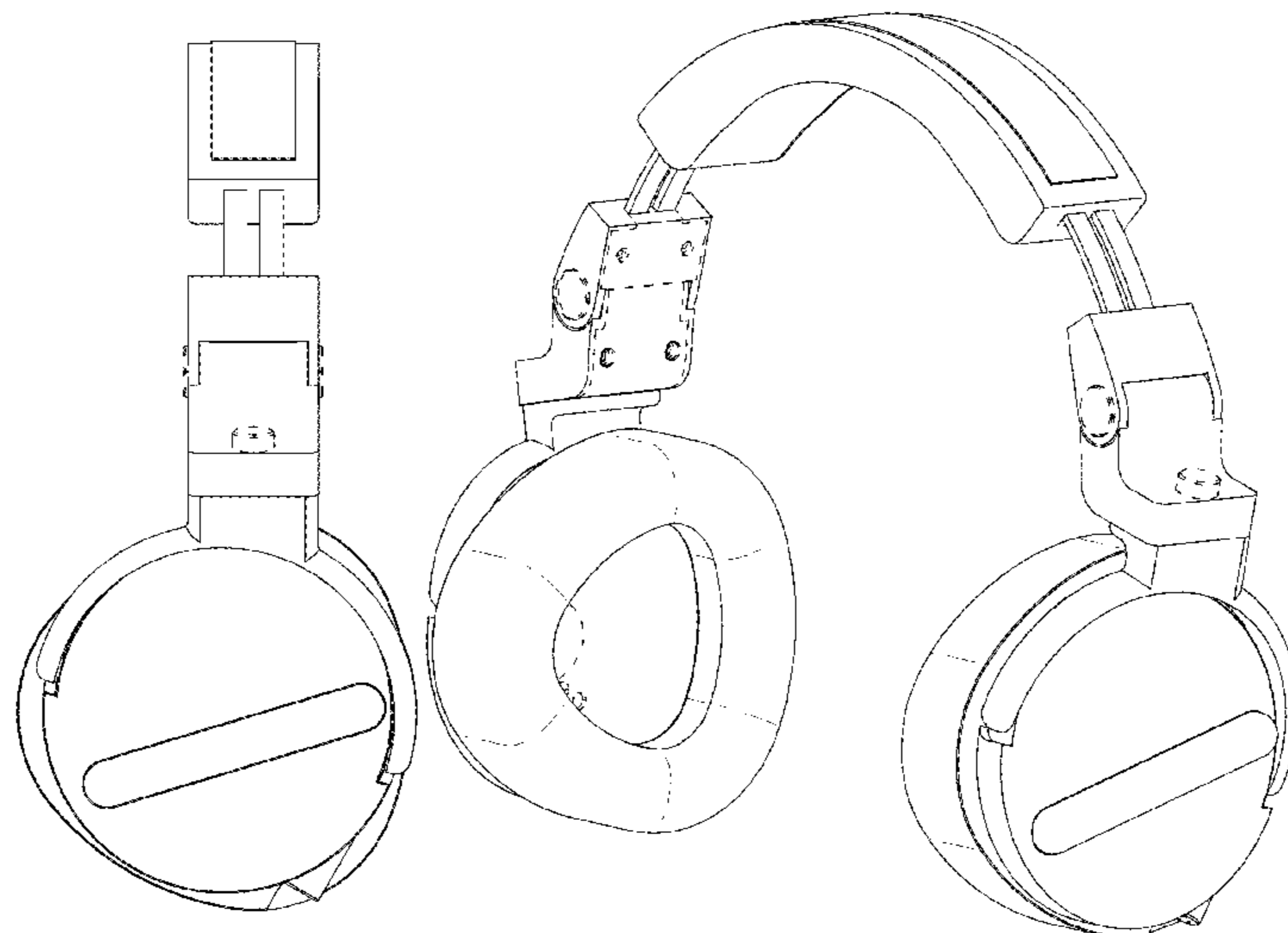
(57) **CLAIM**

The ornamental design for a headphone, as shown and
described.

DESCRIPTION

FIG. 1 is a perspective view of a headphone in accordance
with the design;
FIG. 2 is a front view of the headphone of the design;
FIG. 3 is a rear view of the headphone of the design;
FIG. 4 is a left side view of the headphone of the design;
FIG. 5 is a right side view of the headphone of the design;
FIG. 6 is a top plan view of the headphone of the design;
FIG. 7 is a bottom plan view of the headphone of the design;
FIG. 8 is another perspective view of the headphone of the
design;
FIG. 9 is only a supplementary figure to FIG. 1 for reference,
with surface shading added therein to replace some broken
lines for representing changes in contour of the cushions of
the headphone; and,
FIG. 10 is only a supplementary figure to FIG. 8 for
reference, with surface shading added therein to replace
some broken lines for representing changes in contour of the
cushions of the headphone.
The broken lines depict portions of the headphone in which
the design is embodied that form no part of the claimed
design.

1 Claim, 10 Drawing Sheets



(56)

References Cited

U.S. PATENT DOCUMENTS

D342,947 S *	1/1994	Totsuka	D14/192	D713,375 S *	9/2014	Dedinas	D14/206
D346,380 S *	4/1994	Fitzgerald	D14/138 R	D717,276 S *	11/2014	Zhou	D14/205
D348,465 S *	7/1994	Yamatogi	D14/205	D721,053 S *	1/2015	Fujioka	D14/205
D352,036 S *	11/1994	Sekita	D14/192	D741,286 S *	10/2015	Brennwald	D14/205
D357,477 S *	4/1995	Mueller	D14/206	D746,793 S *	1/2016	Logan	D14/206
D411,200 S *	6/1999	Almqvist	D14/192	D747,557 S *	1/2016	Bonney	D29/112
6,256,386 B1 *	7/2001	Phillips	H04M 1/05 379/430	D754,632 S *	4/2016	Matsumura	D14/205
D467,895 S *	12/2002	Hirano	D14/192	D782,999 S *	4/2017	Spio	D14/206
D491,163 S *	6/2004	Green	D14/205	D788,071 S *	5/2017	Logan	D14/205
D505,415 S *	5/2005	Han	D14/223	D791,734 S *	7/2017	Ou	D14/206
D514,087 S *	1/2006	Wilson	D14/206	D813,194 S *	3/2018	Loh	D14/205
D520,492 S *	5/2006	Chen	D14/205	D815,614 S *	4/2018	Tzeng	D14/205
D530,306 S *	10/2006	Wang	D14/189	D820,813 S *	6/2018	Sharp	D14/206
D541,255 S *	4/2007	Taylor	D14/205	D824,362 S *	7/2018	Probst	D14/206
D576,604 S *	9/2008	Suzuki	D14/205	10,080,076 B2 *	9/2018	Karasawa	H04R 1/1008
D592,640 S *	5/2009	Tkachuk	D14/205	D832,811 S *	11/2018	Levine	D14/205
D638,397 S *	5/2011	McManigal	D14/205	10,165,351 B2 *	12/2018	Imai	H04R 1/1008
D641,725 S *	7/2011	Chong	D14/205	D847,781 S *	5/2019	Chen	D14/206
D649,528 S *	11/2011	Park	D14/205	D851,622 S *	6/2019	Billaudet	D14/205
D662,490 S *	6/2012	McSweyn	D14/205	D868,732 S *	12/2019	Jaspers	D14/205
D672,745 S *	12/2012	Abed	D14/205	D878,329 S *	3/2020	Levine	D14/205
D673,518 S *	1/2013	Tan	D14/205	D879,066 S *	3/2020	Chen	D14/205
D691,582 S *	10/2013	Nguyen	H04R 1/1008 D14/205	2002/0003889 A1 *	1/2002	Fischer	H04R 1/1041 381/370
D693,327 S *	11/2013	Chiu	D14/206	2008/0056525 A1 *	3/2008	Fujiwara	H04R 1/1066 381/374
D705,750 S *	5/2014	Wu	H04R 1/1066 D14/205	2013/0329905 A1 *	12/2013	Awiszus	H04M 1/6066 381/74
				2017/0041697 A1 *	2/2017	Levine	H04R 1/1033
				2019/0238984 A1 *	8/2019	Fukushima	H04R 5/0335
				2019/0373350 A1 *	12/2019	Yuen	H04R 1/105

* cited by examiner

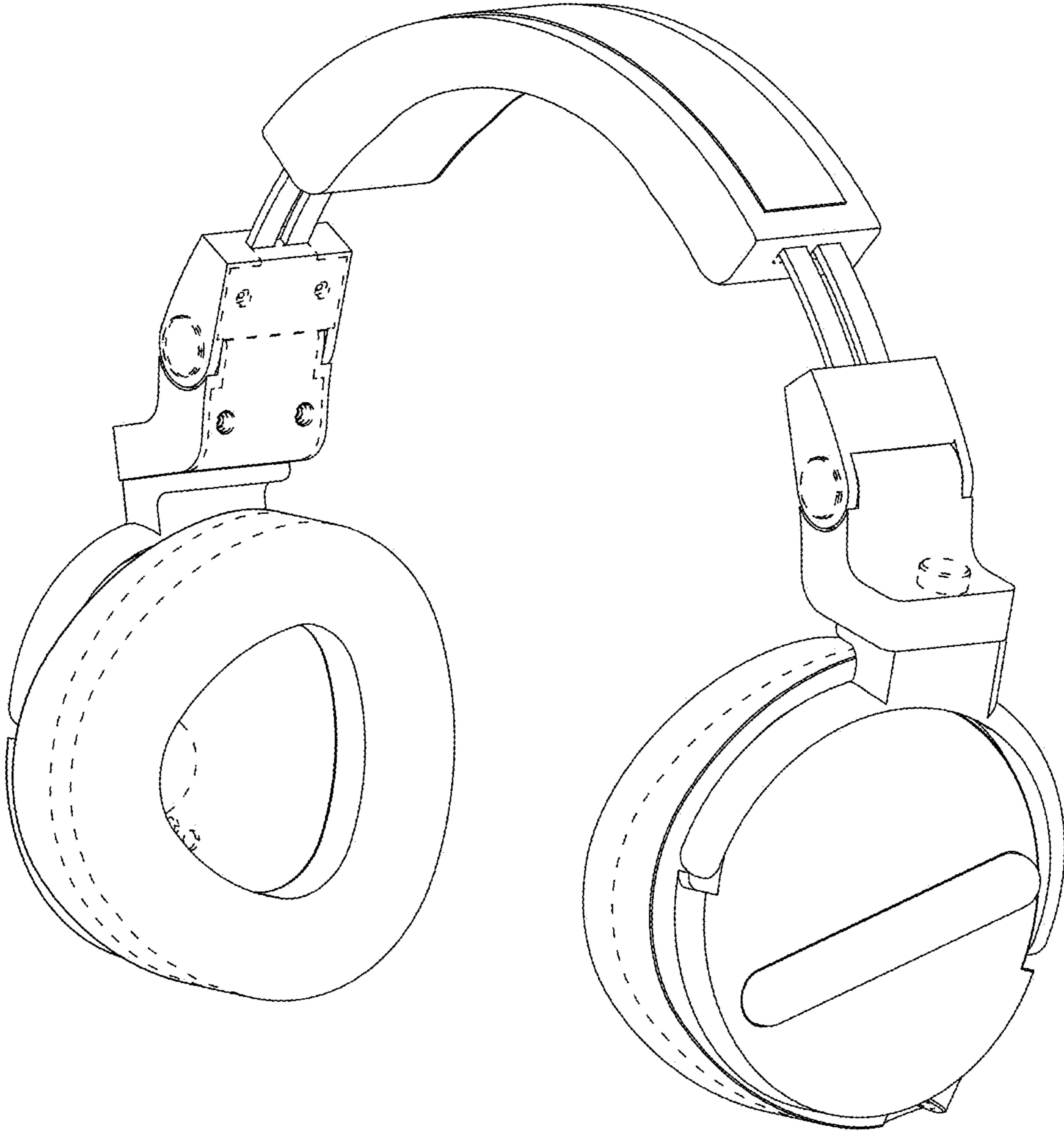


Fig. 1

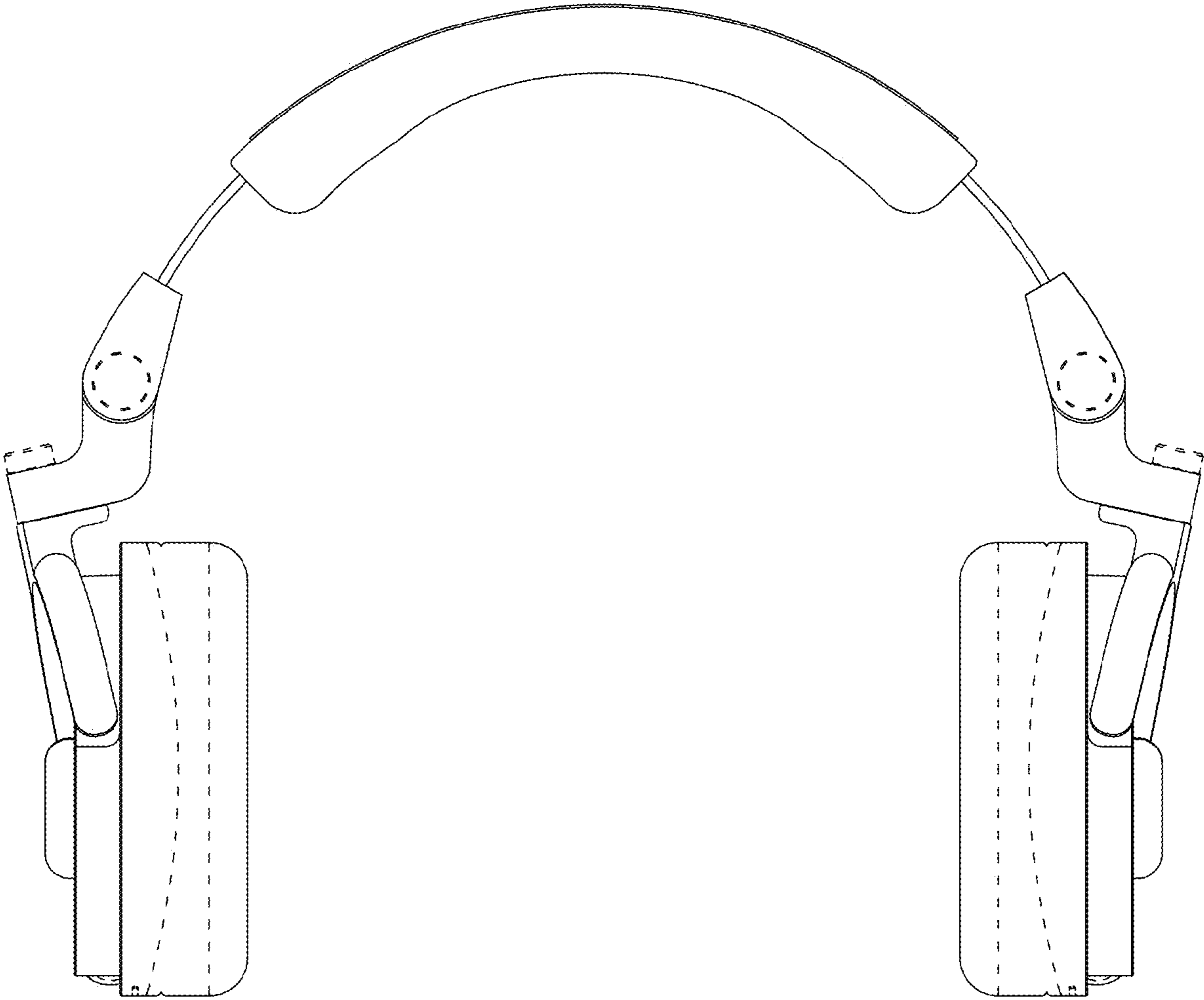


Fig. 2

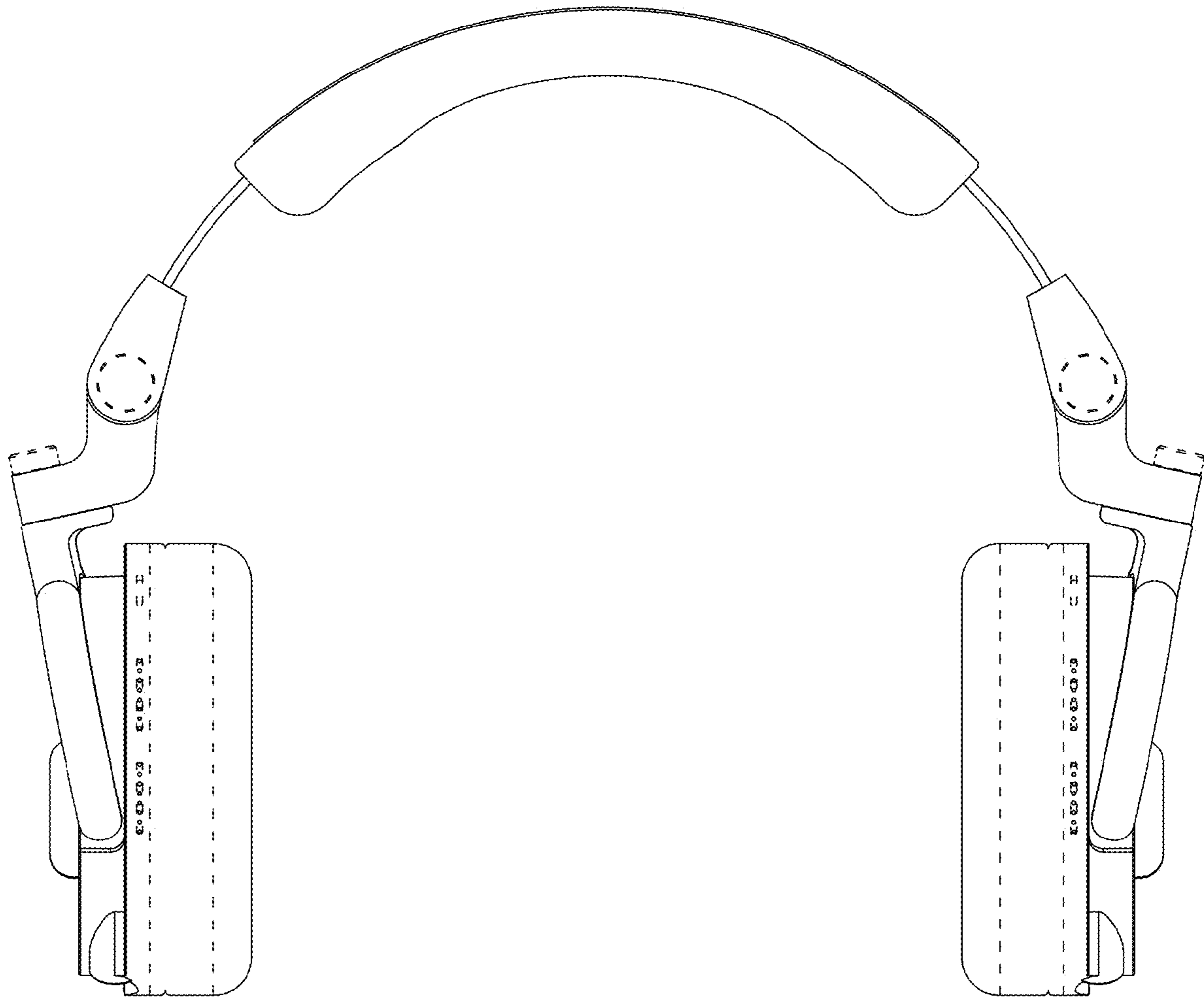


Fig. 3

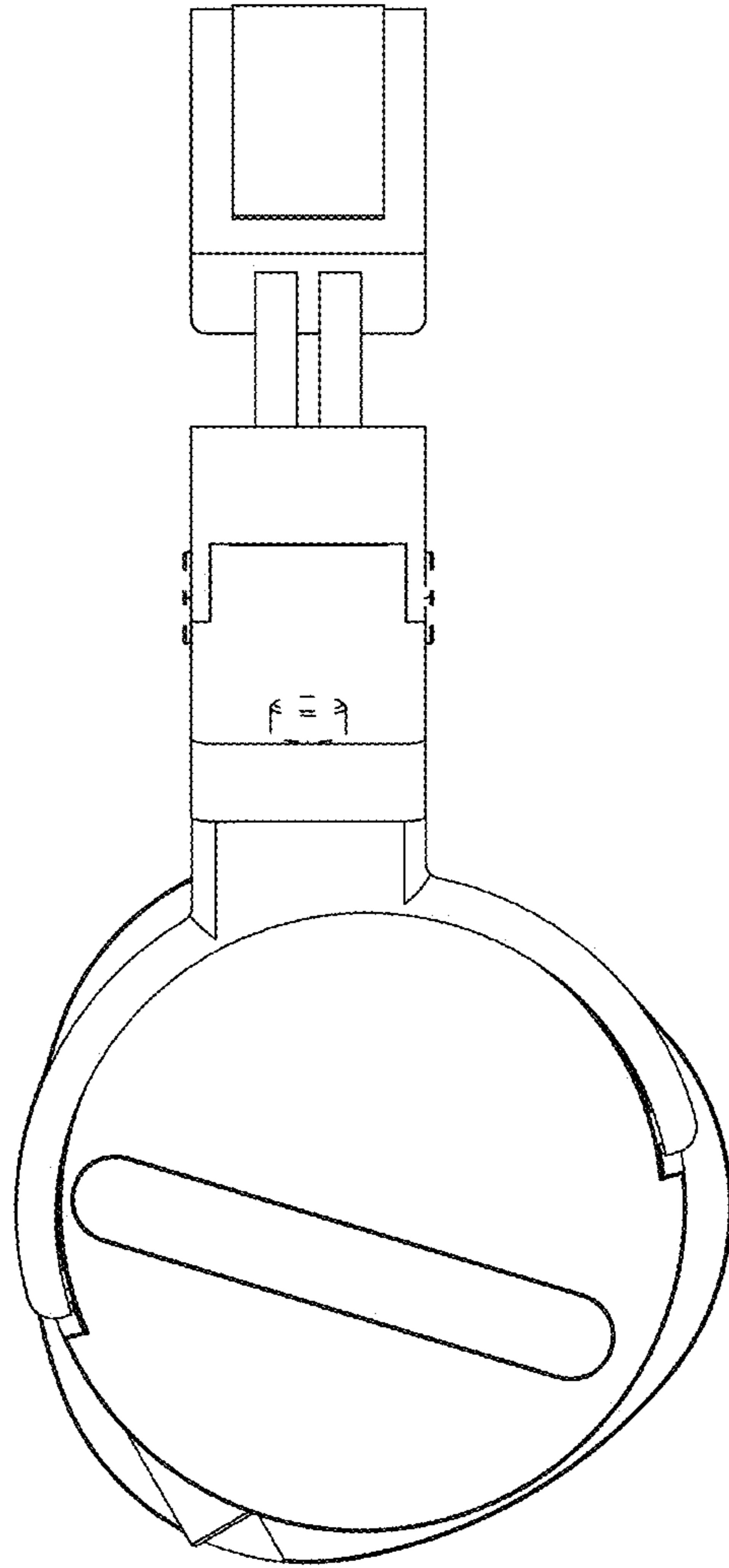


Fig. 4

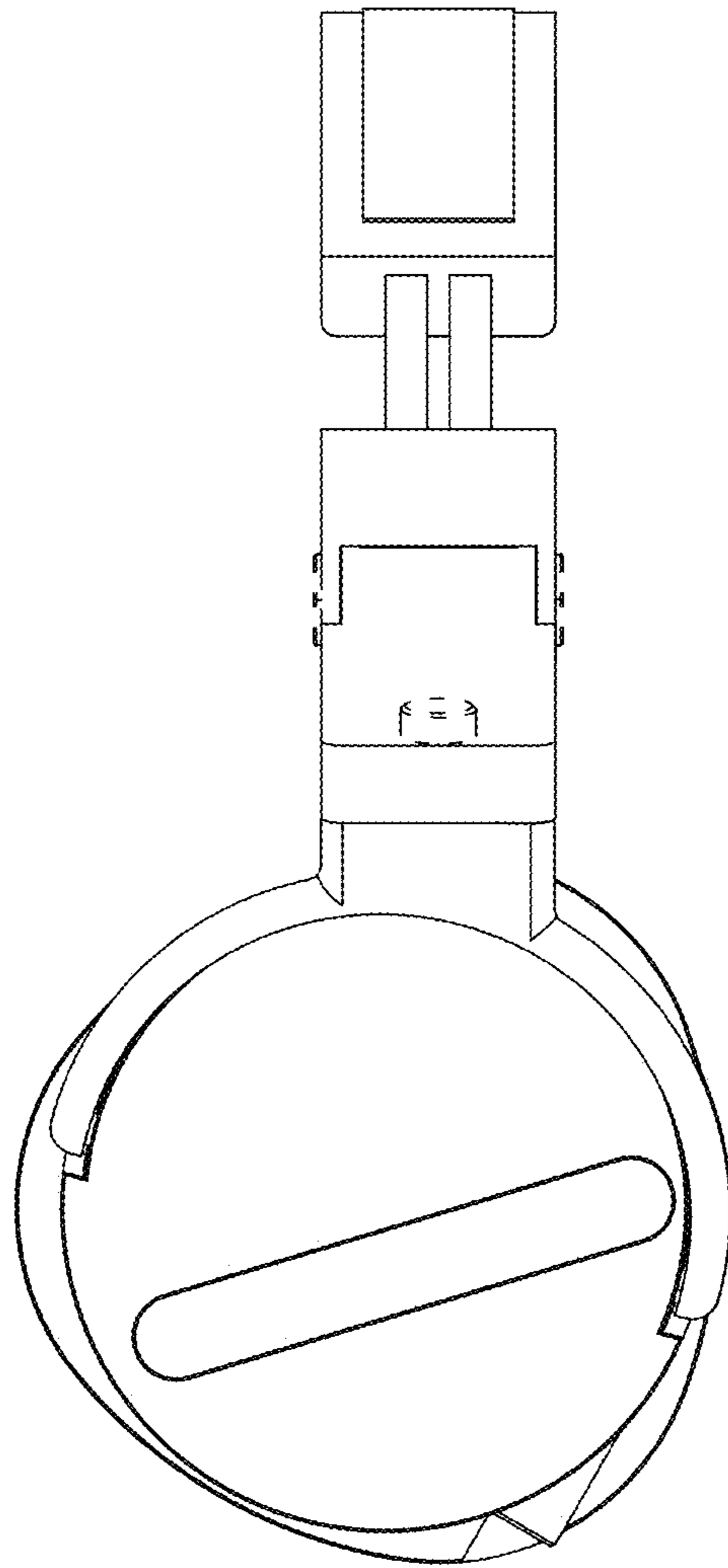


Fig. 5

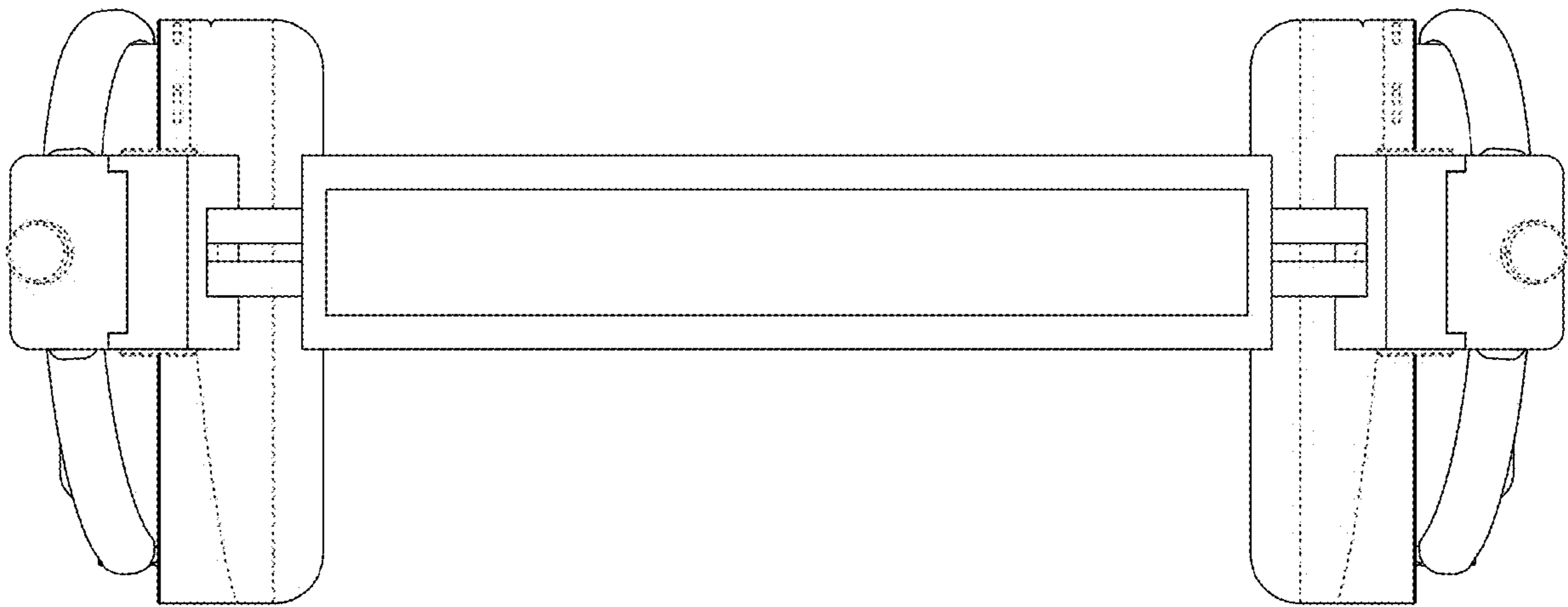


Fig. 6

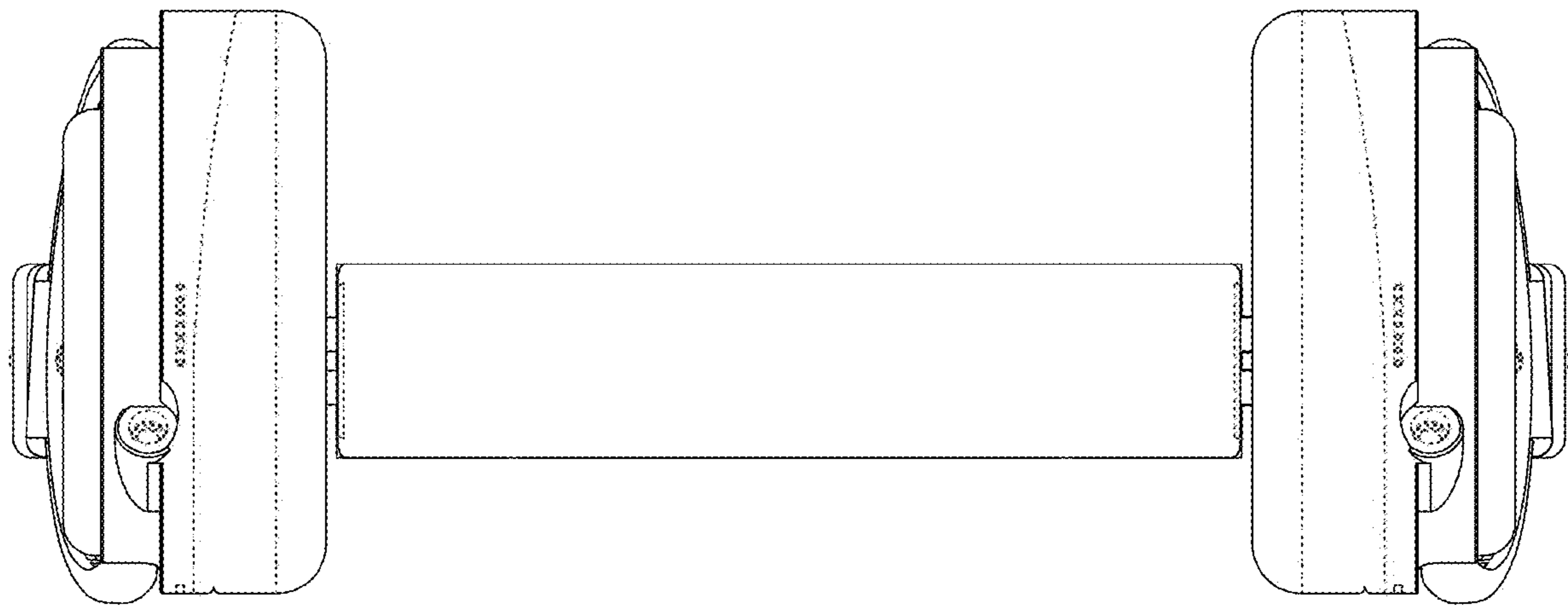


Fig. 7

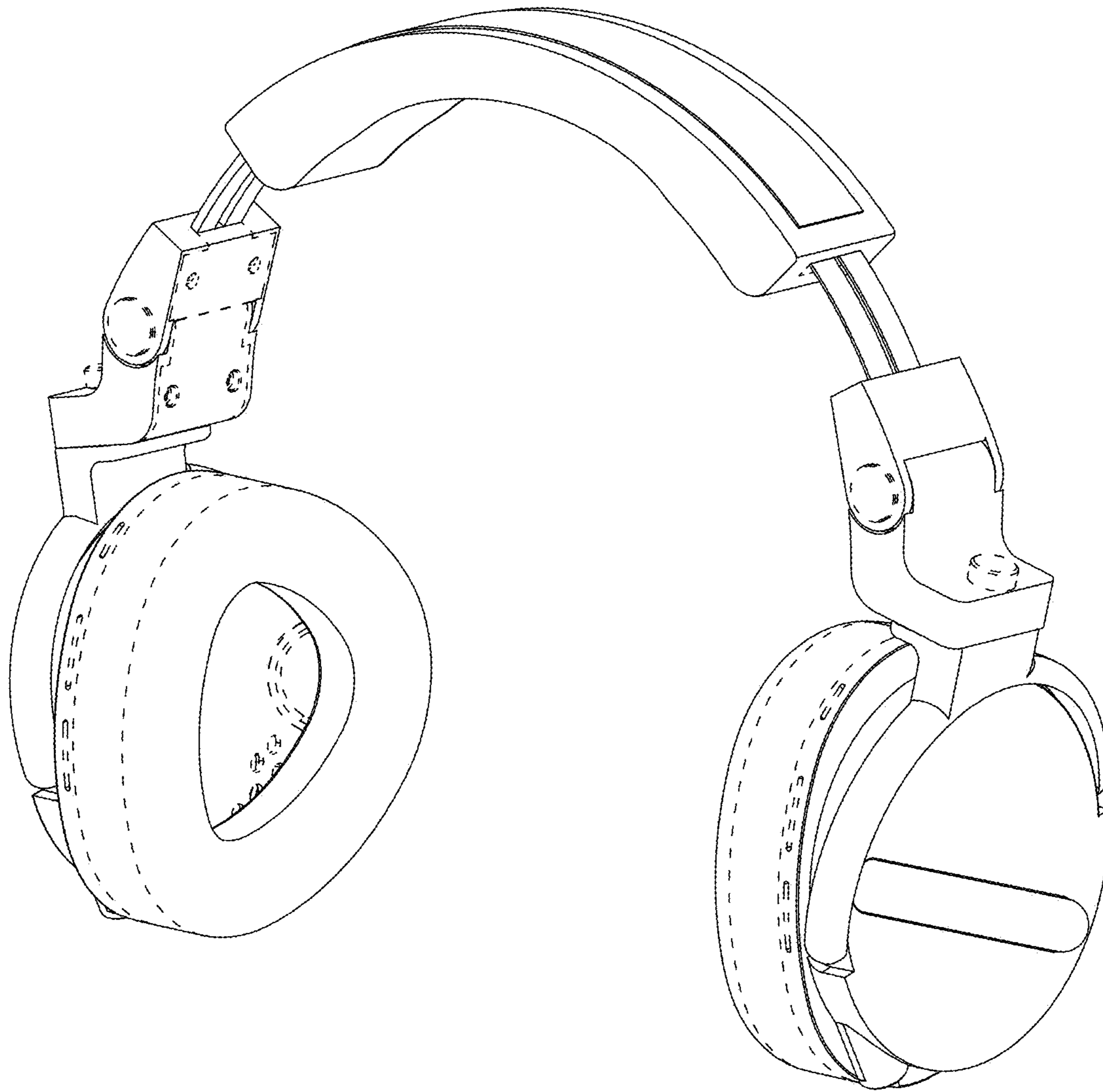


Fig. 8

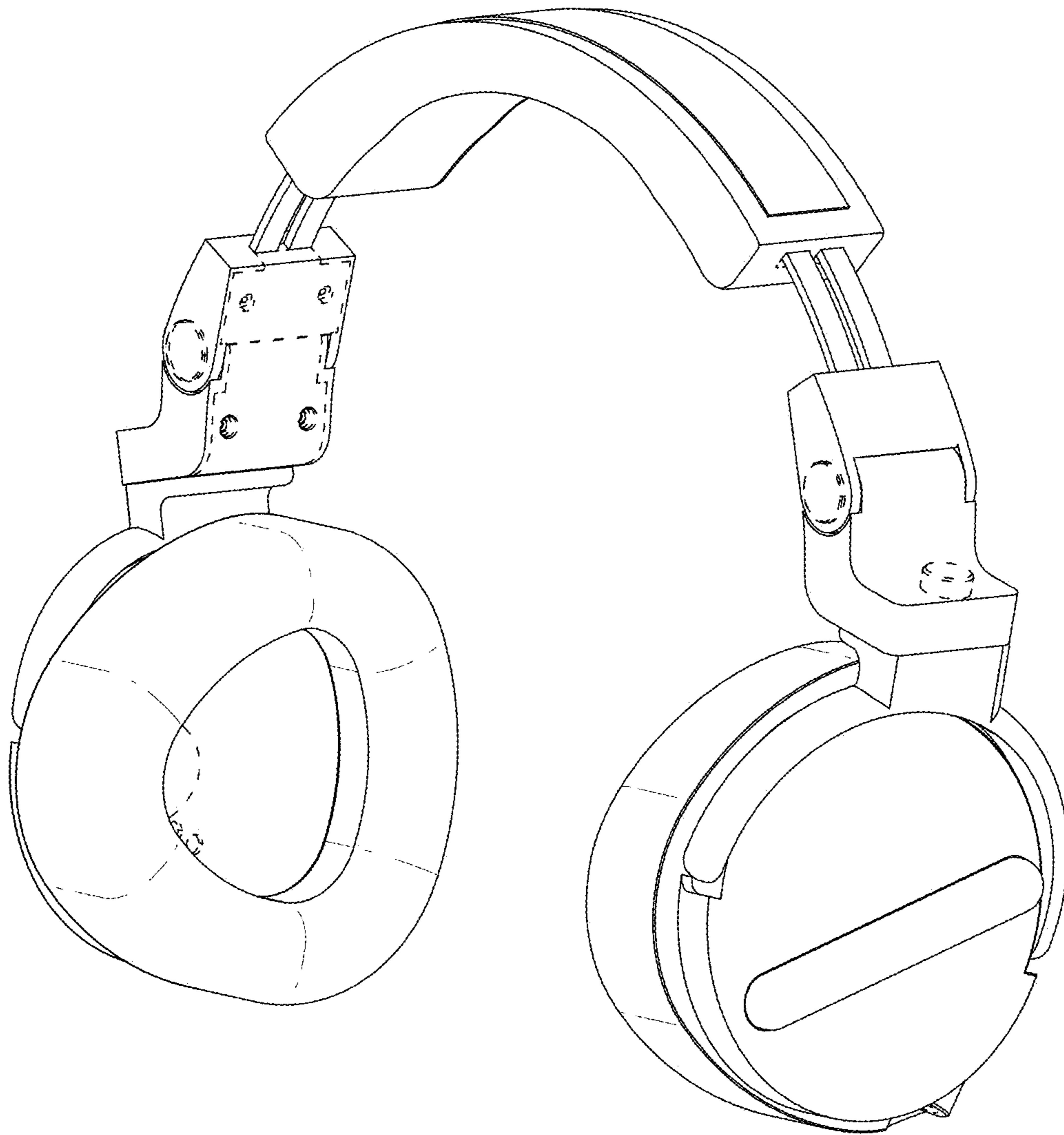


Fig. 9

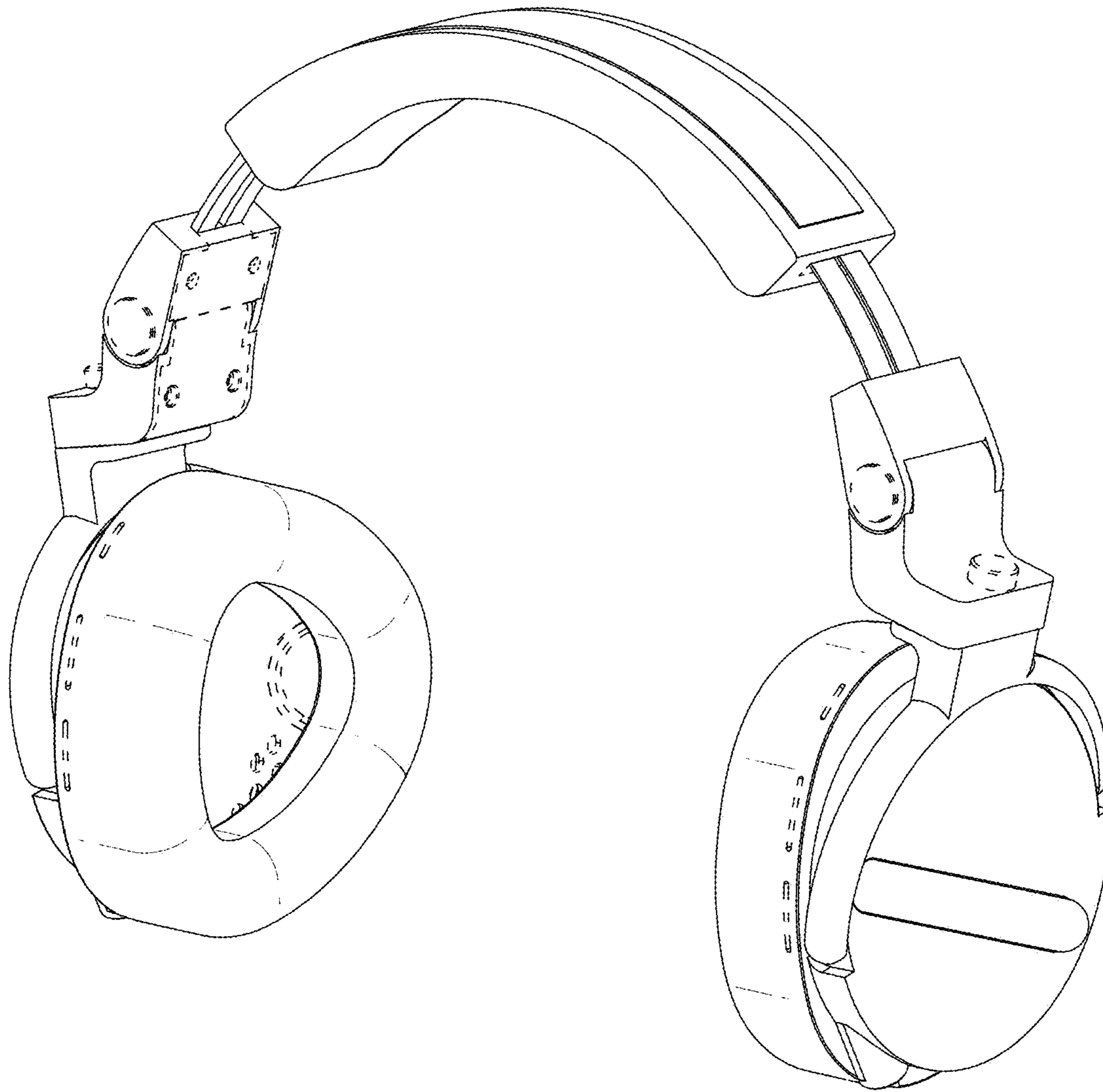


Fig. 10