



US00D912642S

(12) **United States Design Patent**
Huang

(10) **Patent No.:** **US D912,642 S**

(45) **Date of Patent:** **** Mar. 9, 2021**

(54) **SPEAKER**

(71) Applicant: **Shenzhen Anpule Technology Co., Ltd.**, Guangdong (CN)

(72) Inventor: **Xuhua Huang**, Guangdong (CN)

(**) Term: **15 Years**

(21) Appl. No.: **29/695,247**

(22) Filed: **Jun. 18, 2019**

(51) **LOC (13) Cl.** **14-01**

(52) **U.S. Cl.**
USPC **D14/204**

(58) **Field of Classification Search**

USPC D14/170-172, 188, 203.1, 203.3, 204, D14/348

CPC . H04R 1/02; H04R 1/023; H04R 5/02; H04R 7/00; H04R 7/02; H04R 9/06; H04R 2400/00

See application file for complete search history.

(56) **References Cited**

U.S. PATENT DOCUMENTS

D483,350 S * 12/2003 Chen D14/216
D676,418 S * 2/2013 Suzuki D14/209.1

D725,077 S * 3/2015 Wong D14/216
D765,618 S * 9/2016 Alves D14/216
D770,418 S * 11/2016 Hong D14/216
D793,993 S * 8/2017 Song D14/214
D798,268 S * 9/2017 Fang D14/216
D806,843 S * 1/2018 McDonnell D23/355

* cited by examiner

Primary Examiner — Janice Patyk

(74) *Attorney, Agent, or Firm* — ZANIP

(57) **CLAIM**

The ornamental design for a speaker, as shown and described.

DESCRIPTION

FIG. 1 is a first perspective view of a speaker, showing my new design;

FIG. 2 is a second perspective view thereof;

FIG. 3 is a front view thereof;

FIG. 4 is a back view thereof;

FIG. 5 is a left side view thereof;

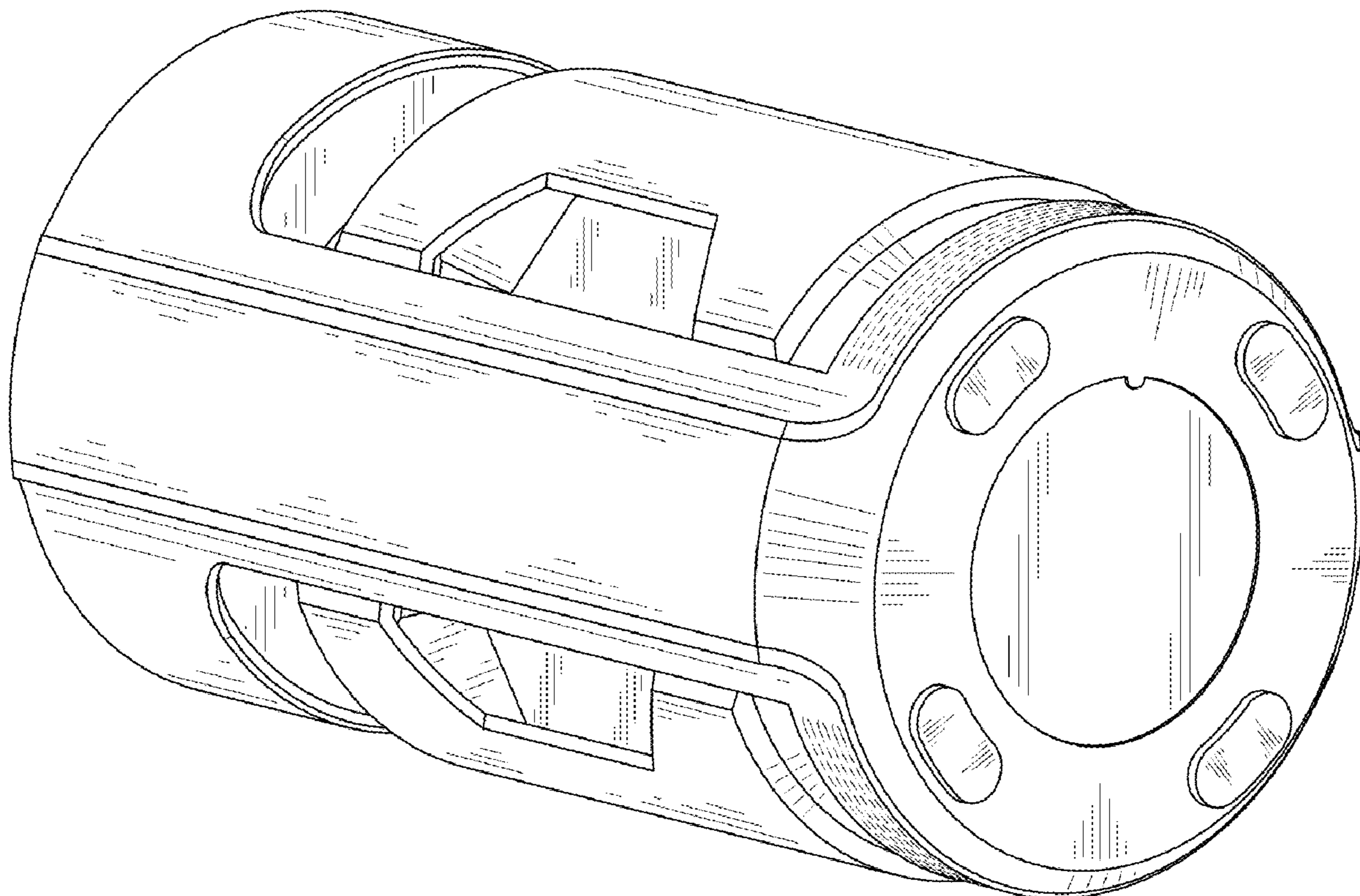
FIG. 6 is a right side view thereof;

FIG. 7 is a top view thereof; and,

FIG. 8 is a bottom view thereof.

The broken lines in the drawings depict the portions of the speaker that form no part of the claimed design.

1 Claim, 8 Drawing Sheets



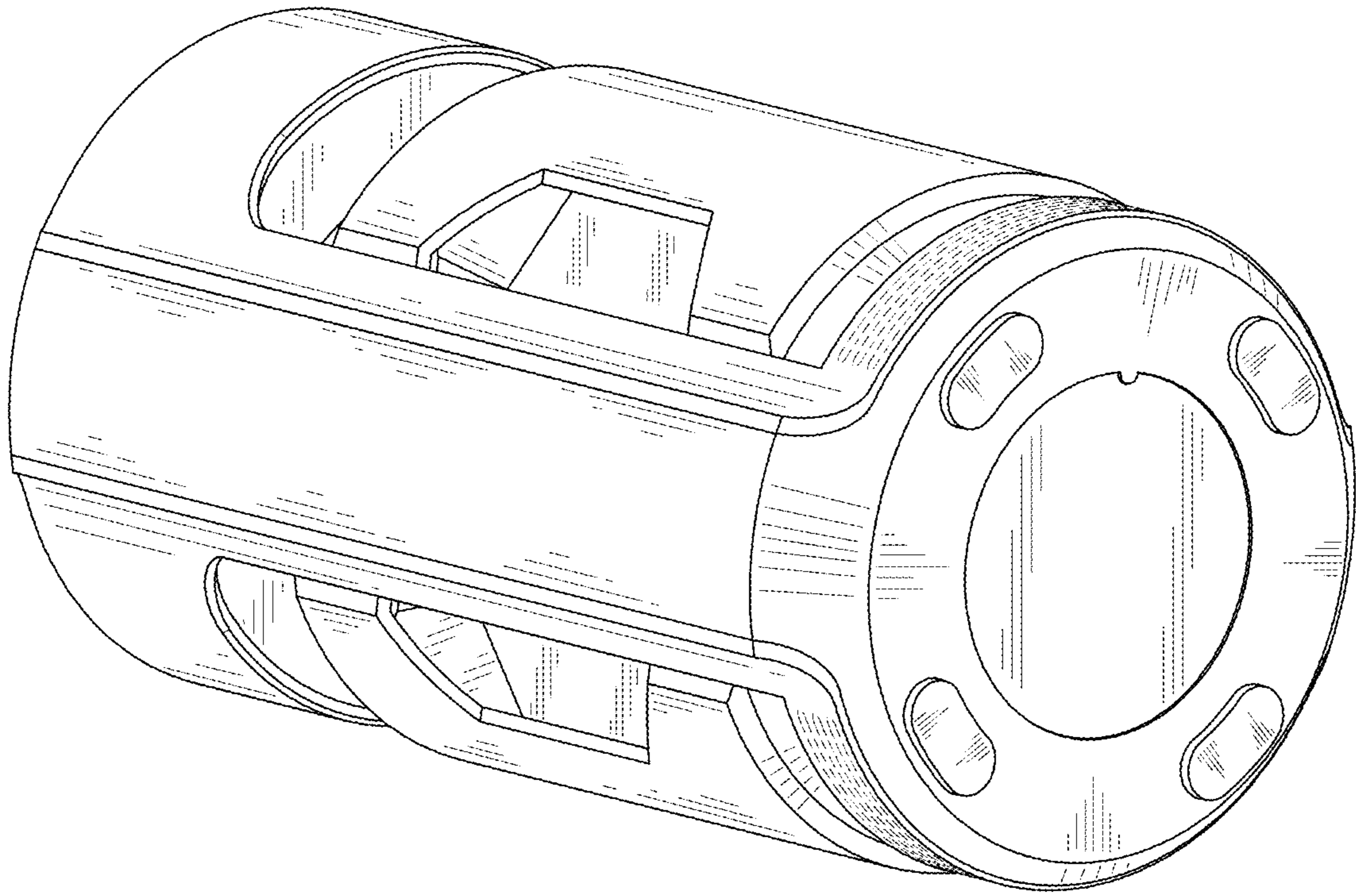


FIG. 1

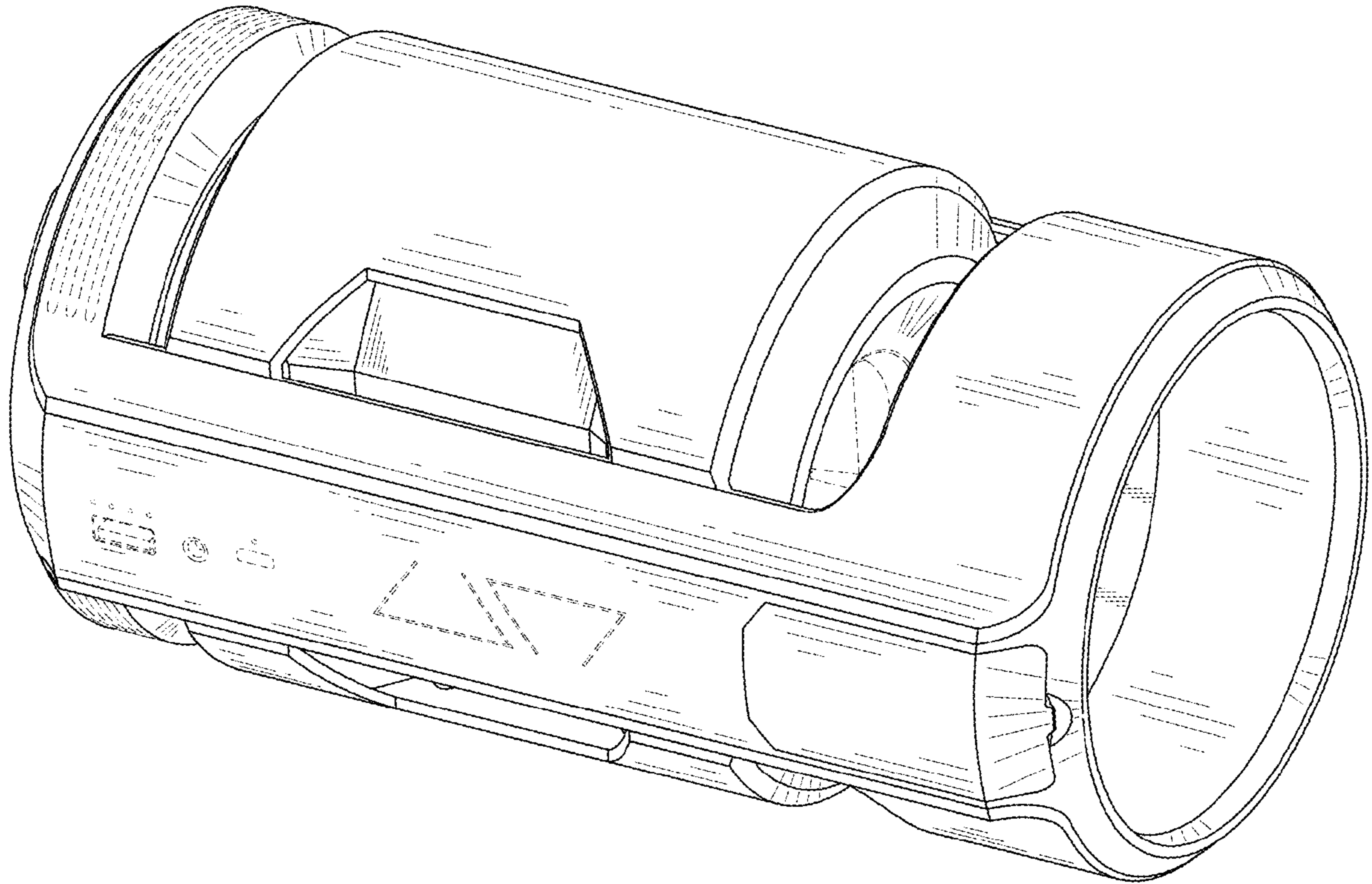


FIG. 2

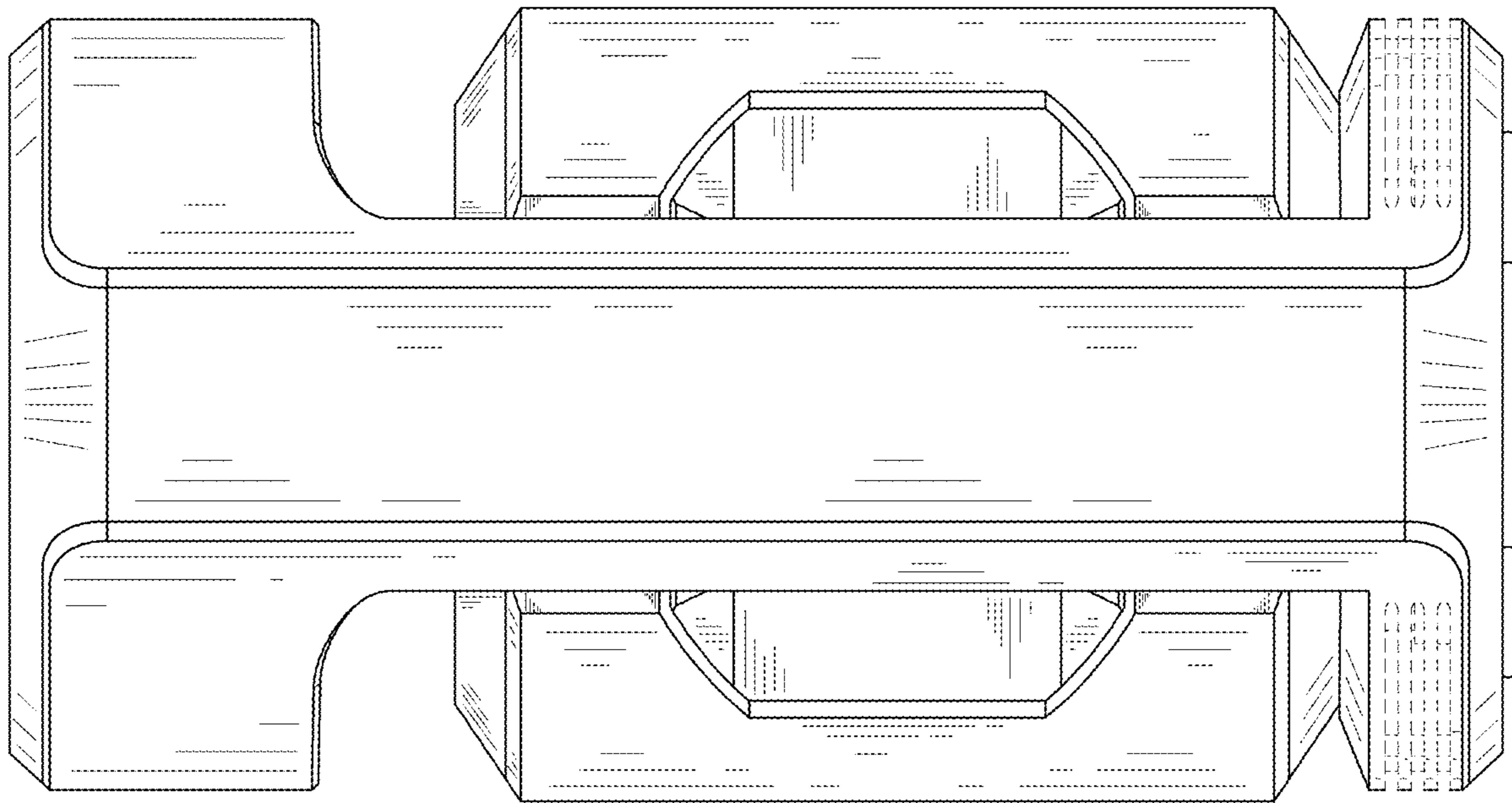


FIG. 3

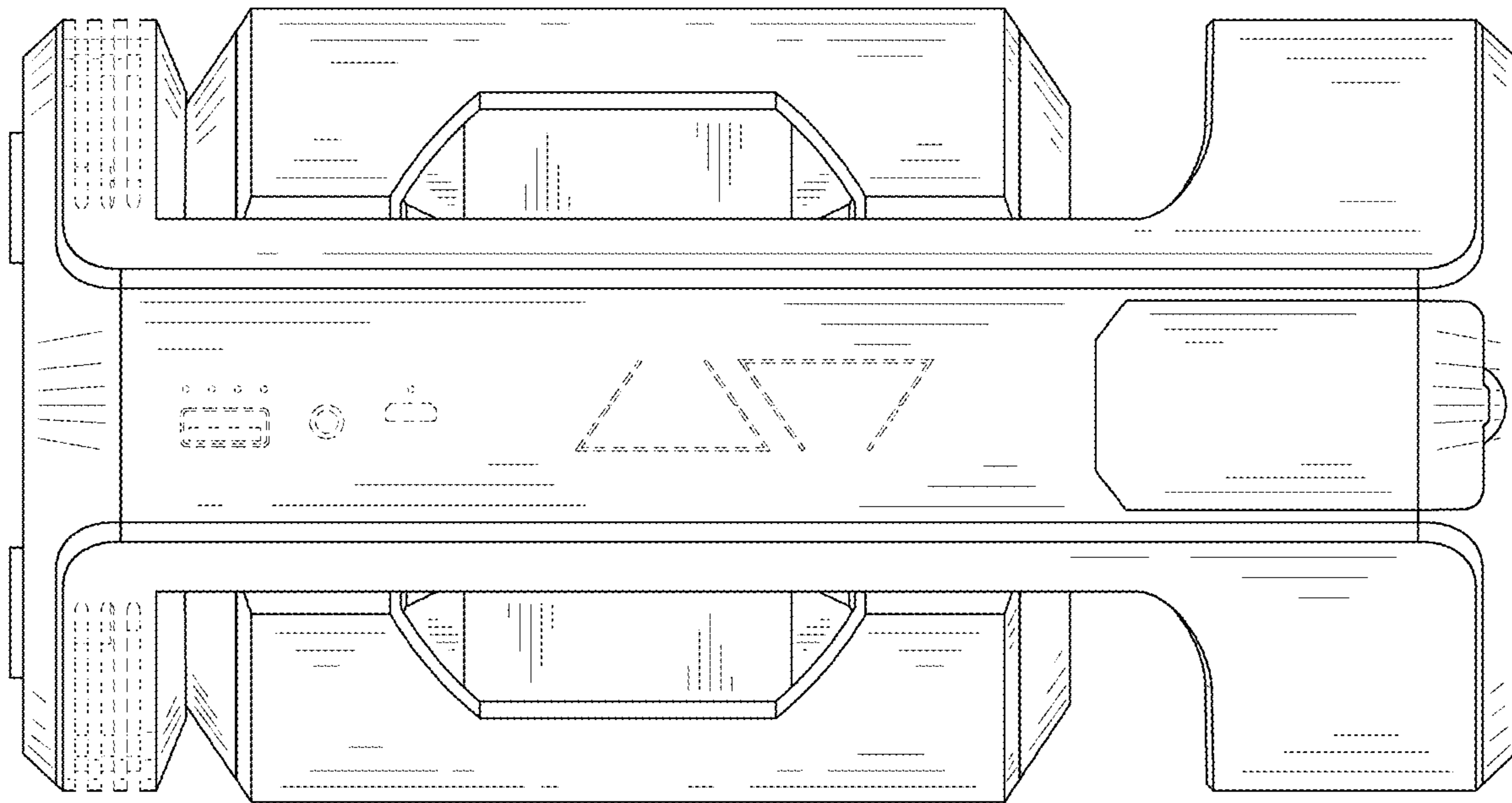


FIG. 4

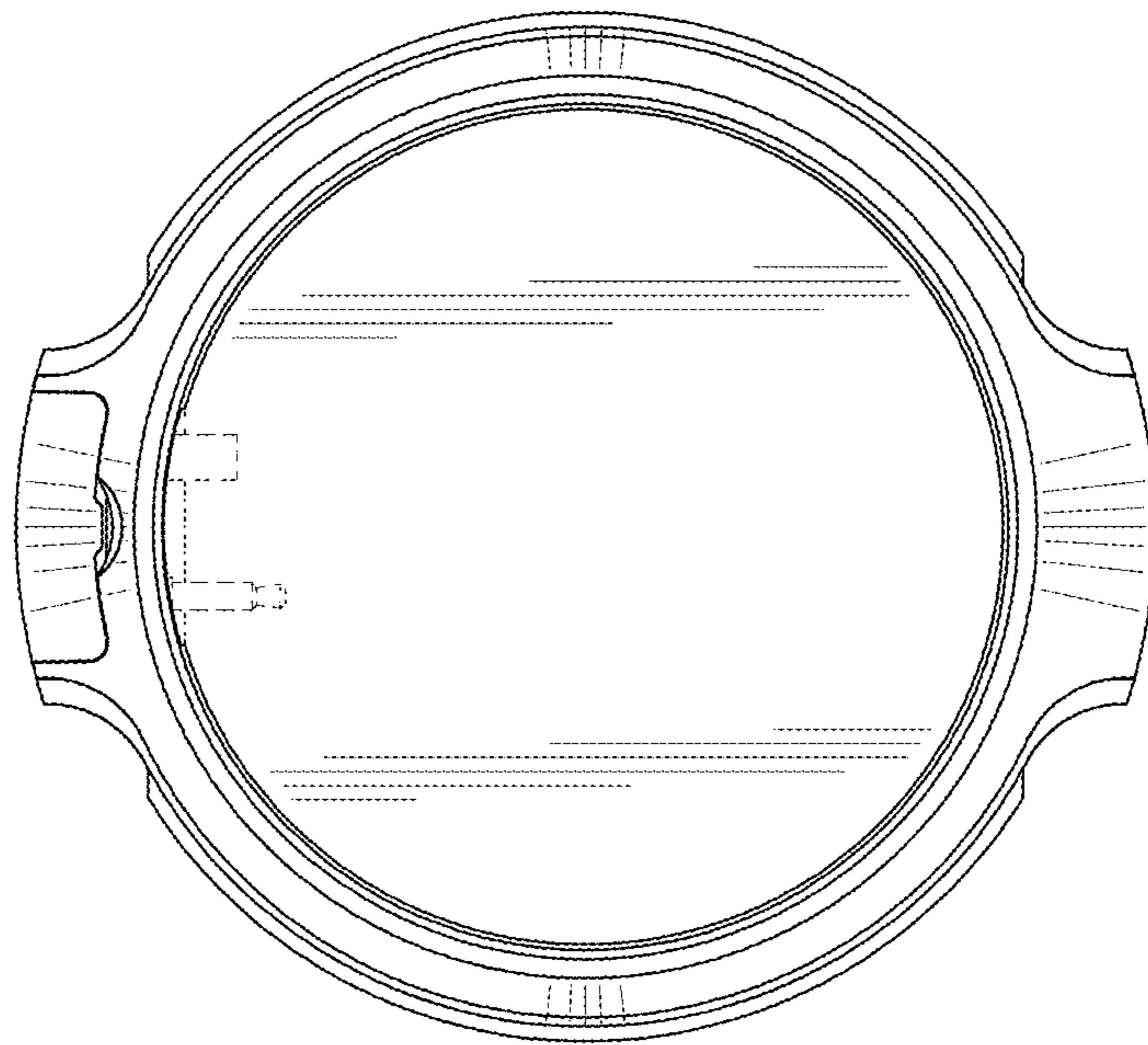


FIG. 5

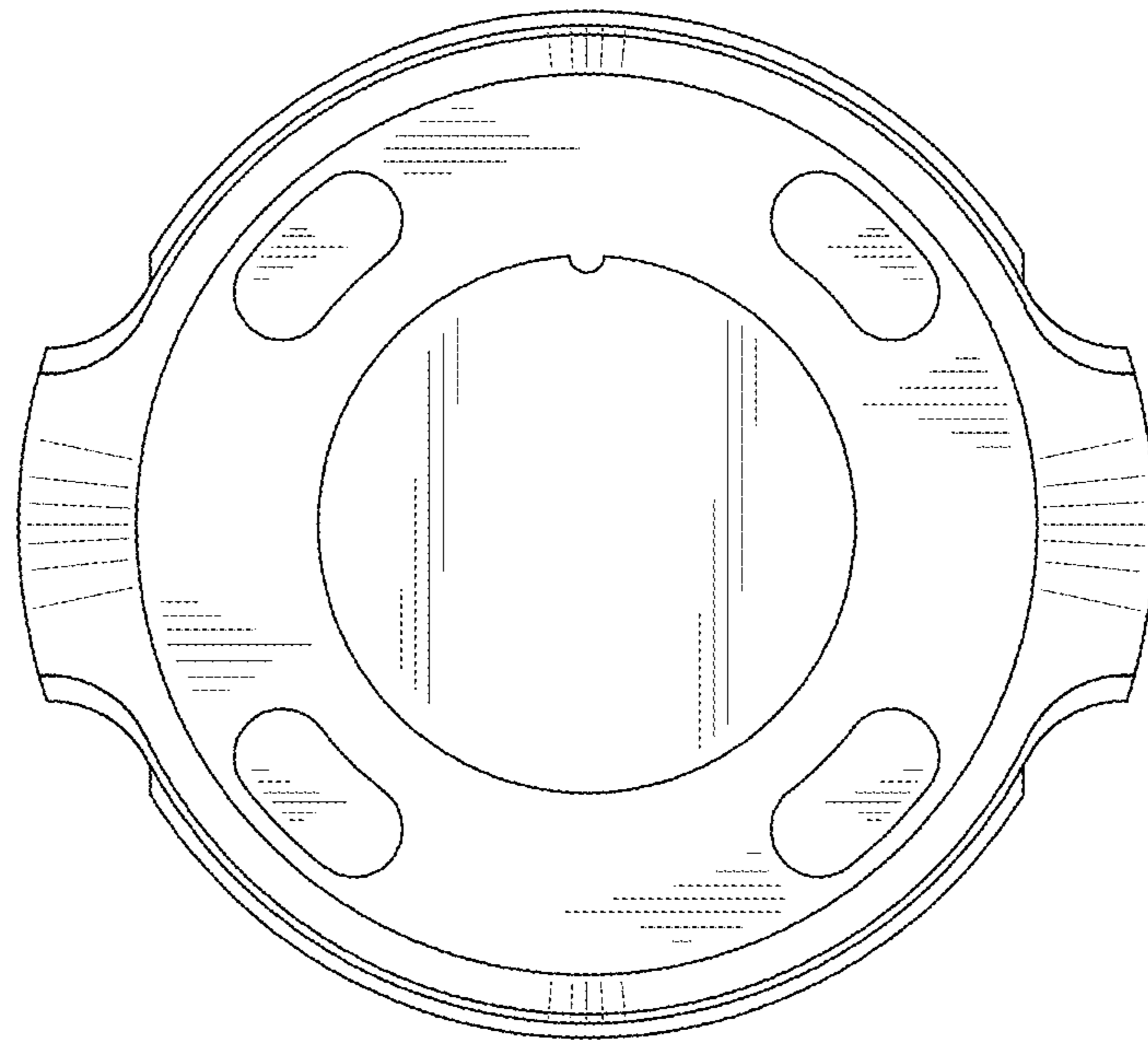


FIG. 6

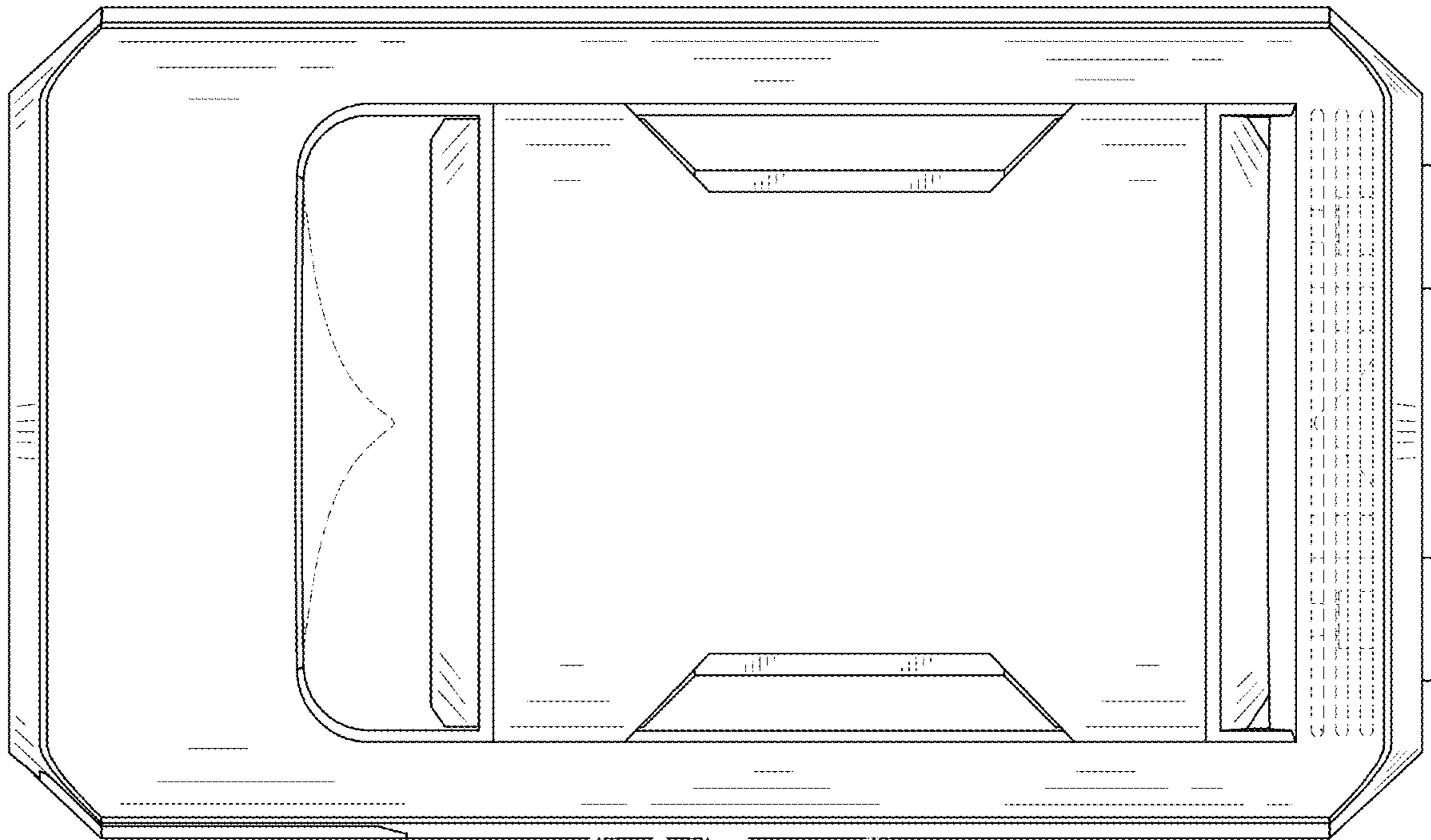


FIG. 7

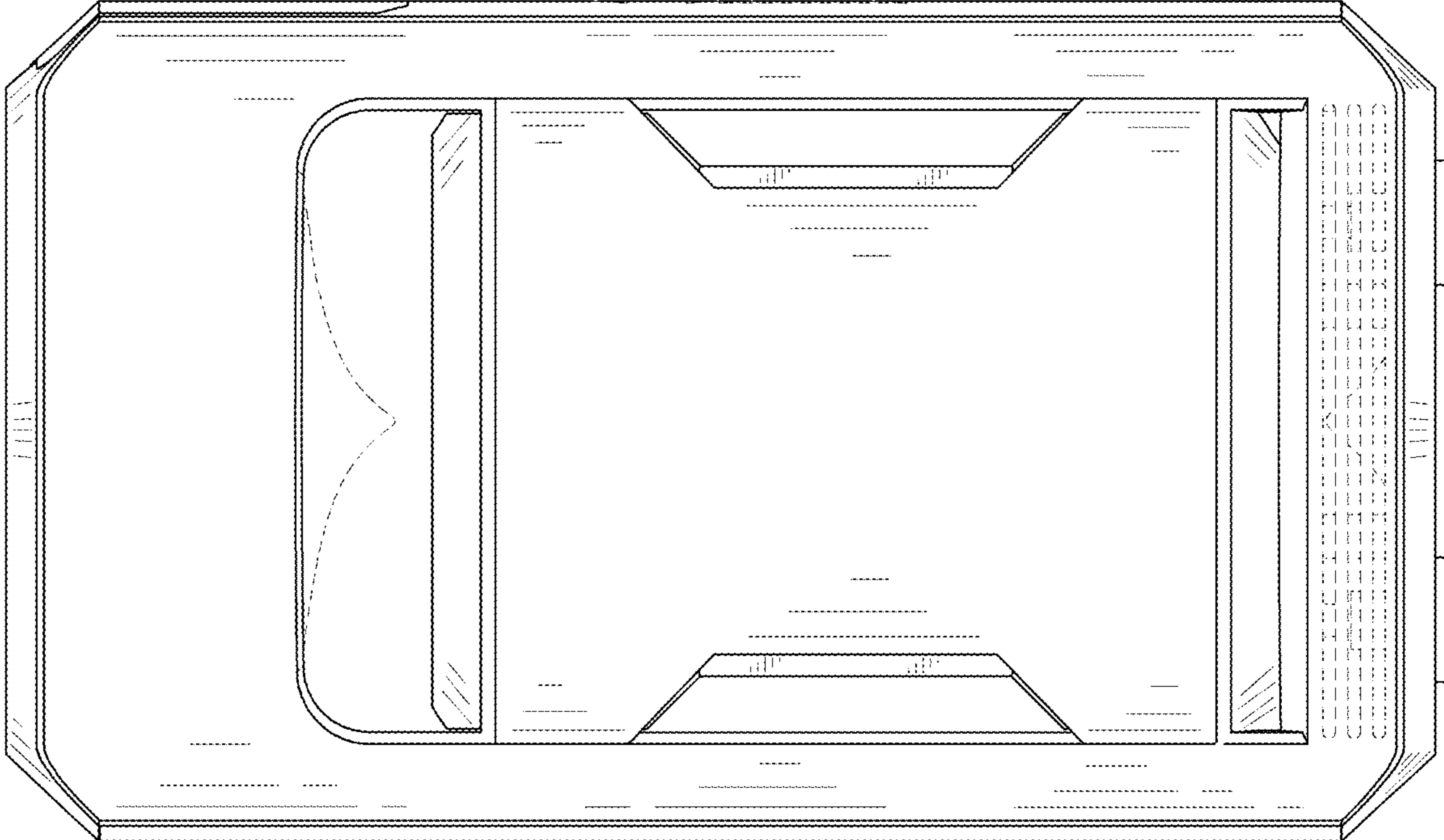


FIG. 8