



US00D912637S

(12) **United States Design Patent**
Lee et al.

(10) **Patent No.:** **US D912,637 S**
(45) **Date of Patent:** **** Mar. 9, 2021**

(54) **HIFI AUDIO AND TELEVISION RECEIVER**

FOREIGN PATENT DOCUMENTS

(71) Applicant: **LG ELECTRONICS INC.**, Seoul (KR)

CN 110568701 * 12/2019
EP 3447633 * 2/2019

(Continued)

(72) Inventors: **Minjae Lee**, Seoul (KR); **Seonkyu Kim**, Seoul (KR); **Hyunbyung Cha**, Seoul (KR); **Youngkyoung Kim**, Seoul (KR); **Cheolwoong Shin**, Seoul (KR); **Yunjoo Kim**, Seoul (KR)

Primary Examiner — Katherine Glennon
(74) *Attorney, Agent, or Firm* — Birch, Stewart, Kolasch & Birch, LLP

(73) Assignee: **LG ELECTRONICS INC.**, Seoul (KR)

(57) **CLAIM**

The ornamental design for a Hi-Fi audio and television receiver, as shown and described.

(**) Term: **15 Years**

(21) Appl. No.: **35/506,788**

DESCRIPTION

(22) Filed: **Oct. 18, 2018**

(80) **Hague Agreement Data**

Int. Filing Date: **Oct. 18, 2018**
Int. Reg. No.: **DM/201068**
Int. Reg. Date: **Oct. 18, 2018**
Int. Reg. Pub. Date: **May 24, 2019**

1. Hi-Fi audio and television receiver
1.1 is a front perspective view of a Hi-Fi audio and television receiver showing our new design with the display thereof in a retracted position;
1.2 is a front view thereof;
1.3 is a back view thereof;
1.4 is a left view thereof where the right view is a mirror image;
1.5 is a top view thereof;
1.6 is a bottom view thereof;
1.7 is a back perspective view thereof;
1.8 is a bottom perspective view thereof;
1.12 is a front perspective view of the Hi-Fi audio and television receiver showing our new design with the display thereof in a deployed position;
1.13 is a front view thereof;
1.14 is a back view thereof;
1.15 is a left view thereof where the right view is a mirror image;
1.16 is a top view thereof;
1.17 is a bottom view thereof; and
1.18 is a back perspective view thereof.

(30) **Foreign Application Priority Data**

Apr. 27, 2018 (KR) 30-2018-0020037

(51) **LOC (13) Cl.** **14-03**

(52) **U.S. Cl.**
USPC **D14/126**

(58) **Field of Classification Search**
USPC D14/125, 126, 129, 131, 133, 239, 371, D14/374-376, 451; D21/329, 332, 515
(Continued)

The broken lines depict portions of the Hi-Fi audio and television receiver that form no part of the claimed design.

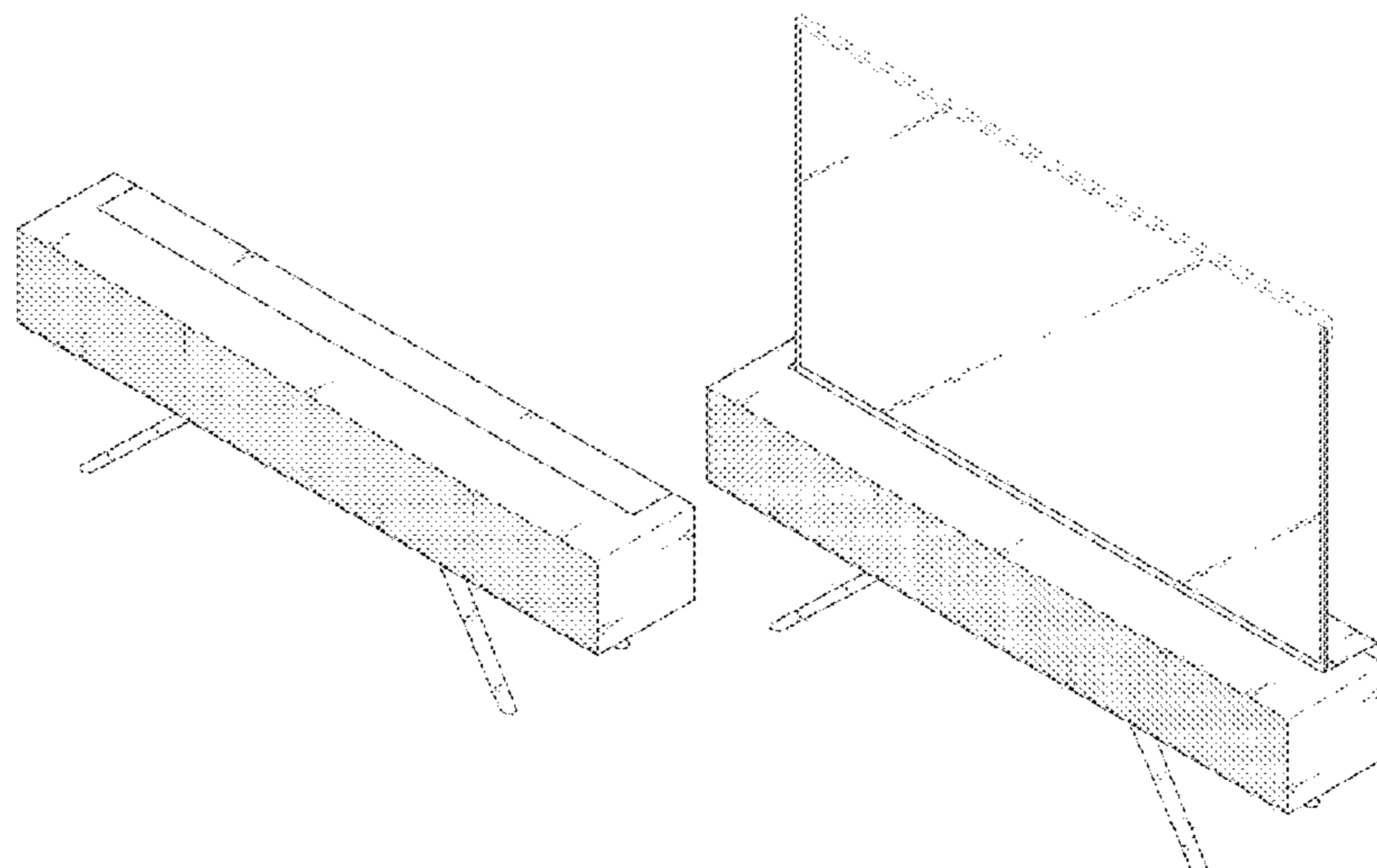
(56) **References Cited**

U.S. PATENT DOCUMENTS

D474,454 S * 5/2003 Izu D14/126
D482,016 S * 11/2003 Howe D14/125

(Continued)

1 Claim, 15 Drawing Sheets



(58) **Field of Classification Search**

CPC G06F 1/1601; G06F 1/1643; G06F
 2212/1721; H04N 5/64; H05K 5/0004;
 H05K 5/02; H05K 5/0017; H05K 5/0217
 See application file for complete search history.

(56) **References Cited**

U.S. PATENT DOCUMENTS

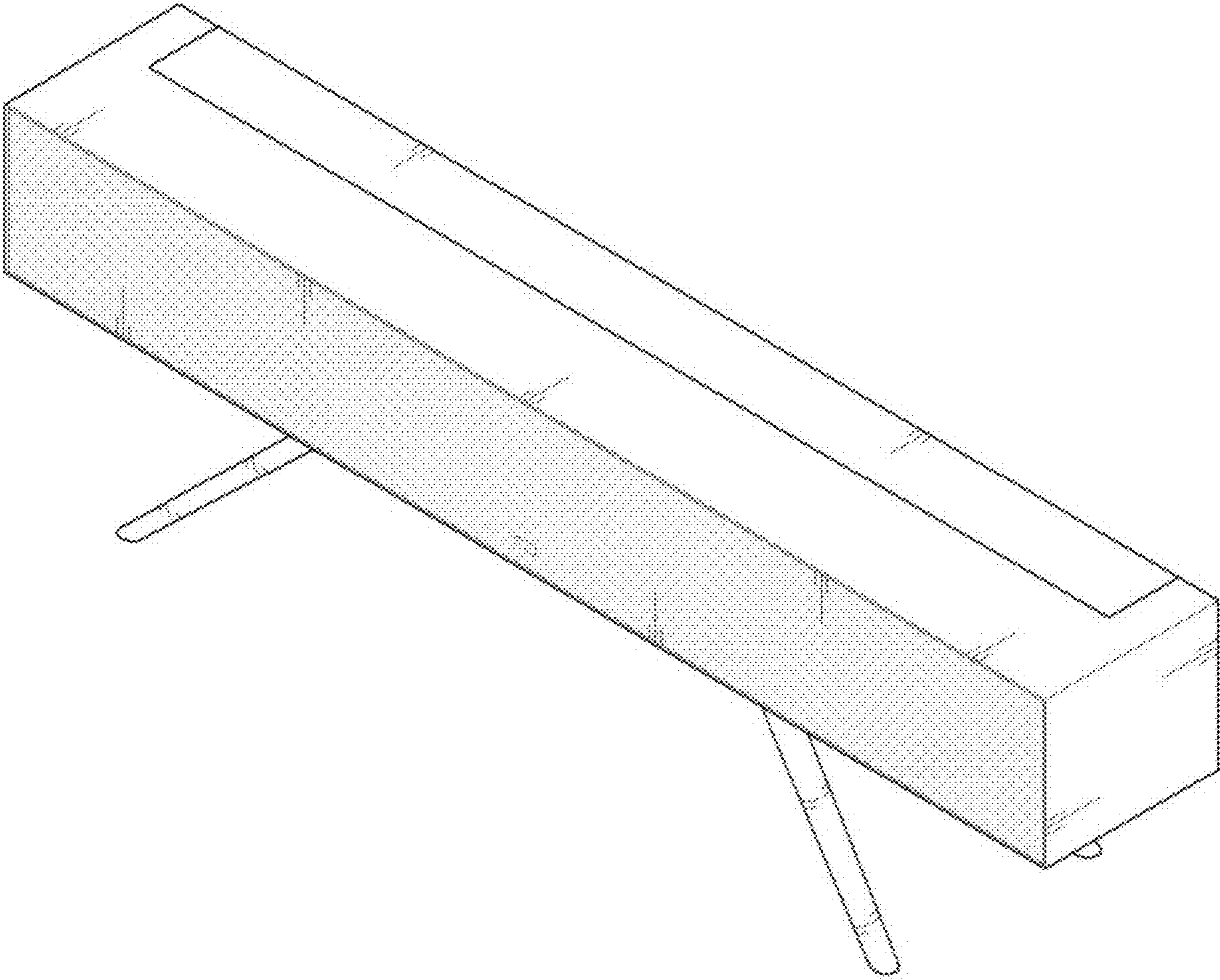
D711,473	S	*	8/2014	Giglio	D21/329
D737,234	S	*	8/2015	Kim	D14/126
D773,419	S	*	12/2016	Han	D14/126
D776,072	S	*	1/2017	Kim	D14/126
D791,094	S	*	7/2017	Han	D14/126
D801,733	S	*	11/2017	Han	D6/676
D802,549	S	*	11/2017	Kim	D14/126
D807,844	S	*	1/2018	Kim	D14/126
D812,028	S	*	3/2018	Kim	D14/126
D813,832	S	*	3/2018	Kim	D14/126
D815,611	S	*	4/2018	Shin	D14/129
D818,977	S	*	5/2018	Kim	D14/126
D823,824	S	*	7/2018	Won	D14/126
D824,868	S	*	8/2018	Chong	D14/126
D852,155	S	*	6/2019	Won	D14/126
10,534,402	B1	*	1/2020	Kim	G06F 1/1652
D875,698	S	*	2/2020	Kang	D14/126
2017/0318689	A1	*	11/2017	Kim	G03B 21/58
2019/0138058	A1	*	5/2019	Kwon	H04N 5/64
2019/0278335	A1	*	9/2019	Yeh	G09F 9/301

FOREIGN PATENT DOCUMENTS

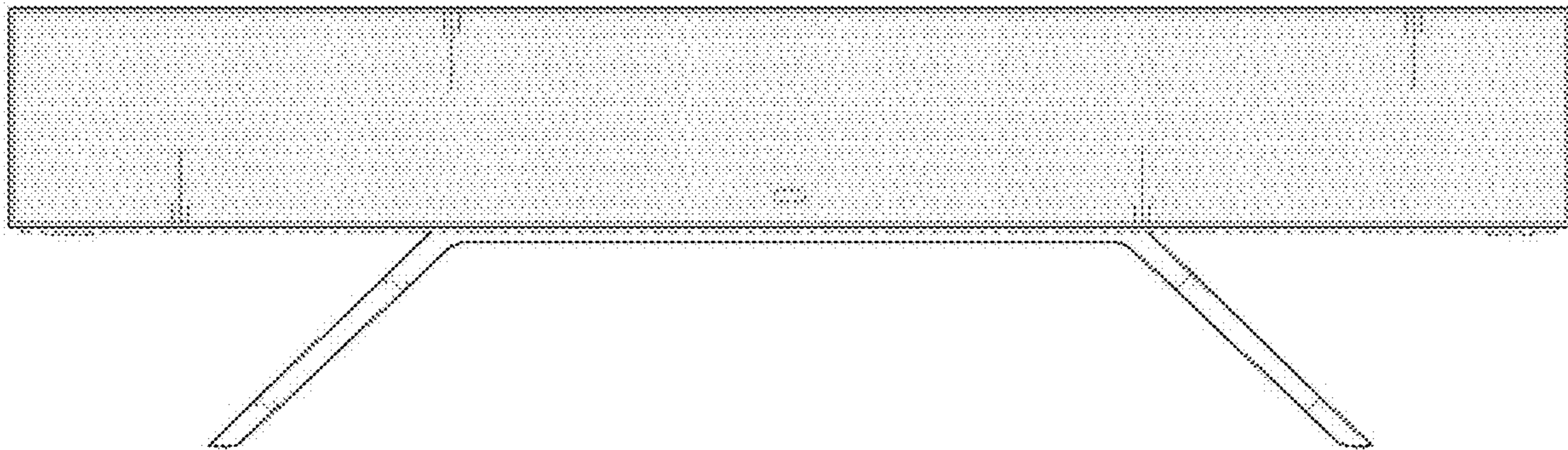
JP	2019036779	*	3/2019
KR	2016-98677	*	8/2016
KR	2017-26069	*	11/2017
WO	WO-2015-93445	*	6/2015

* cited by examiner

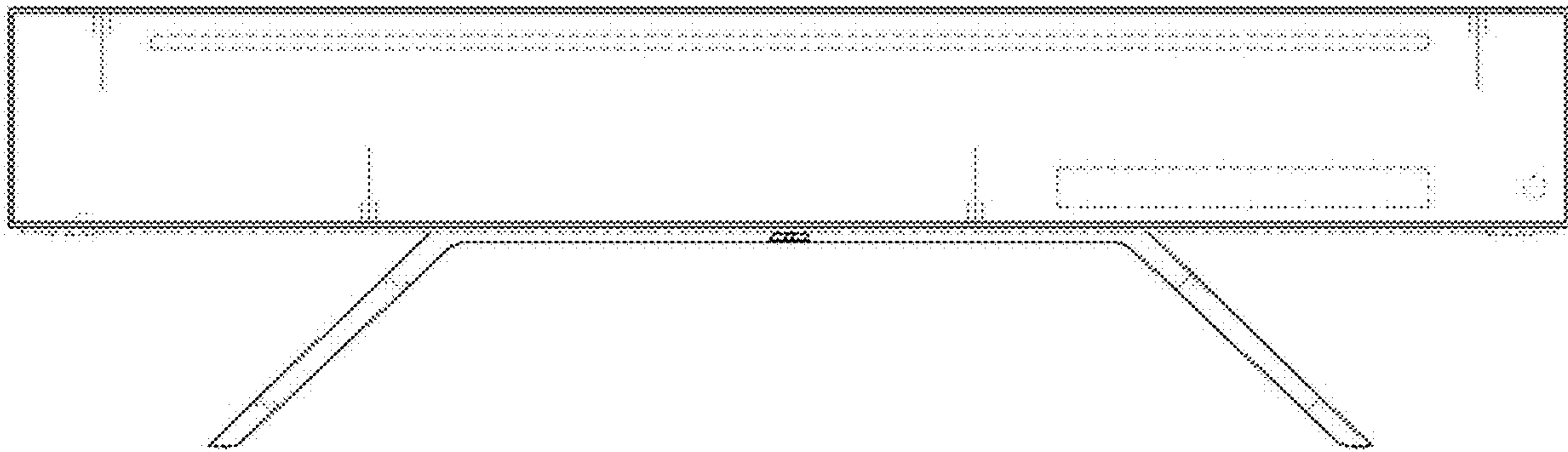
1.1



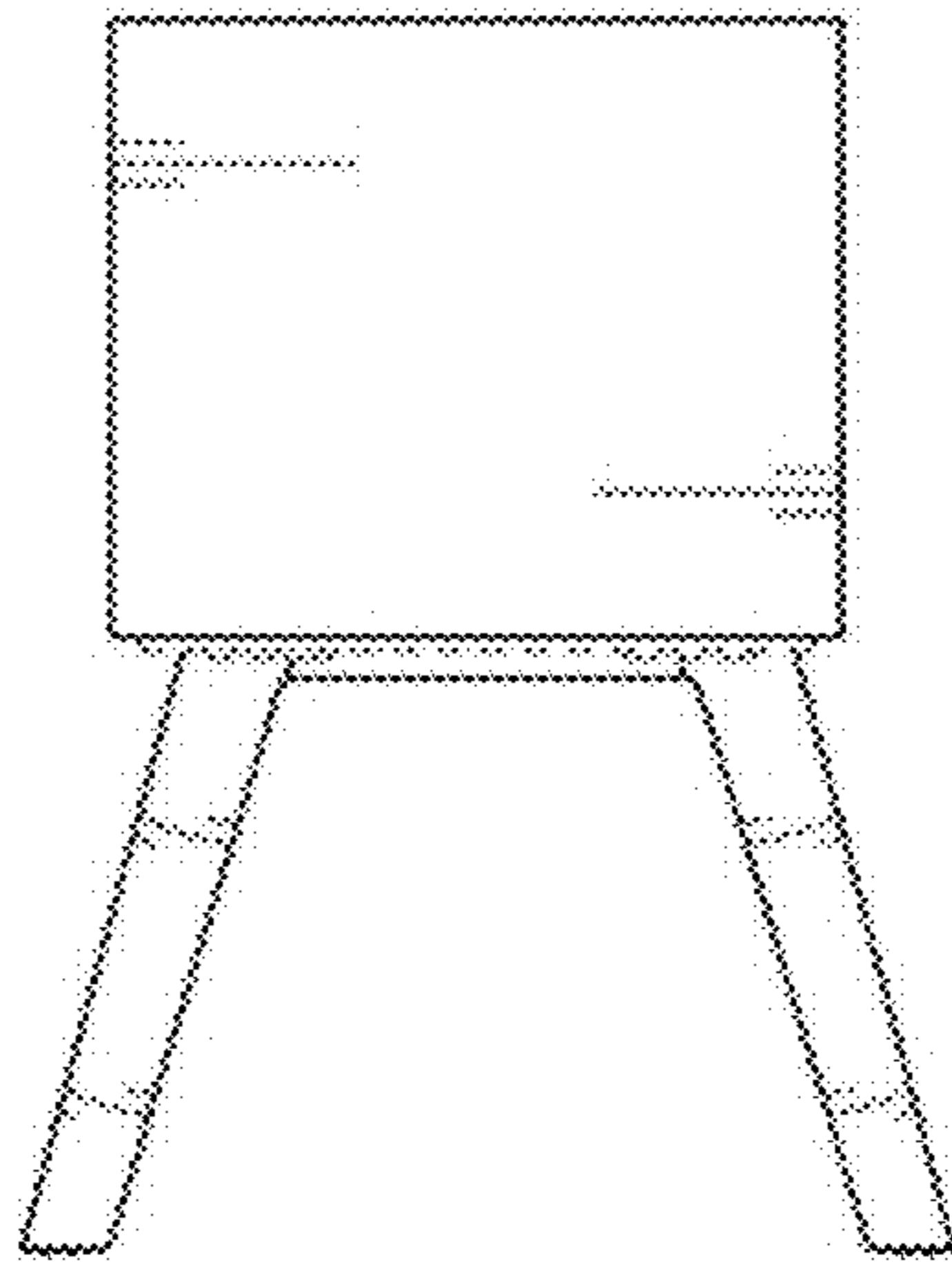
1.2



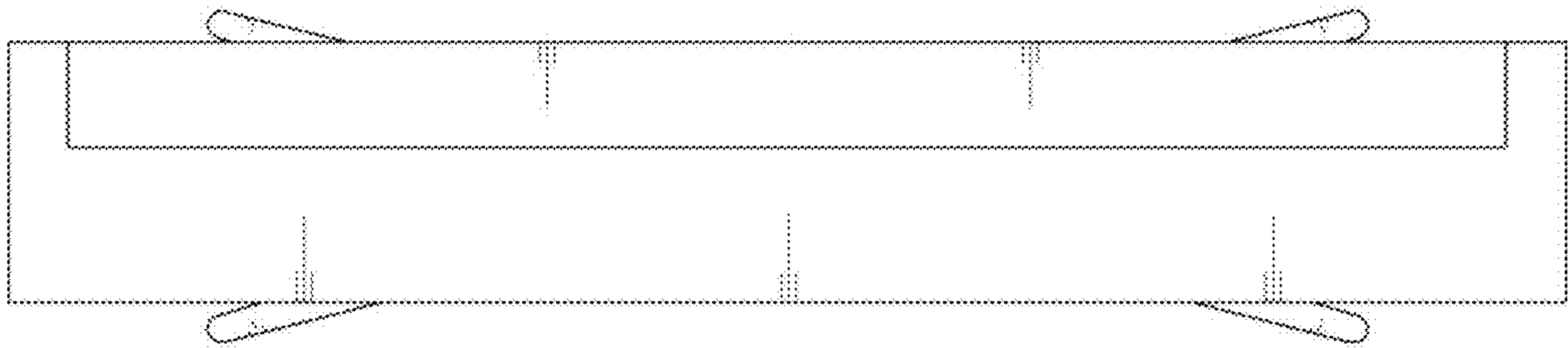
1.3



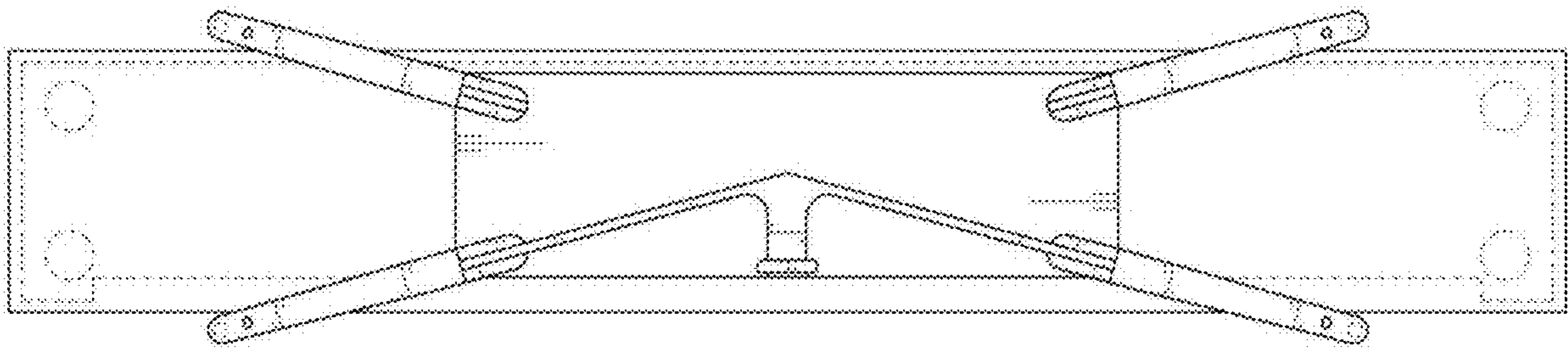
1.4



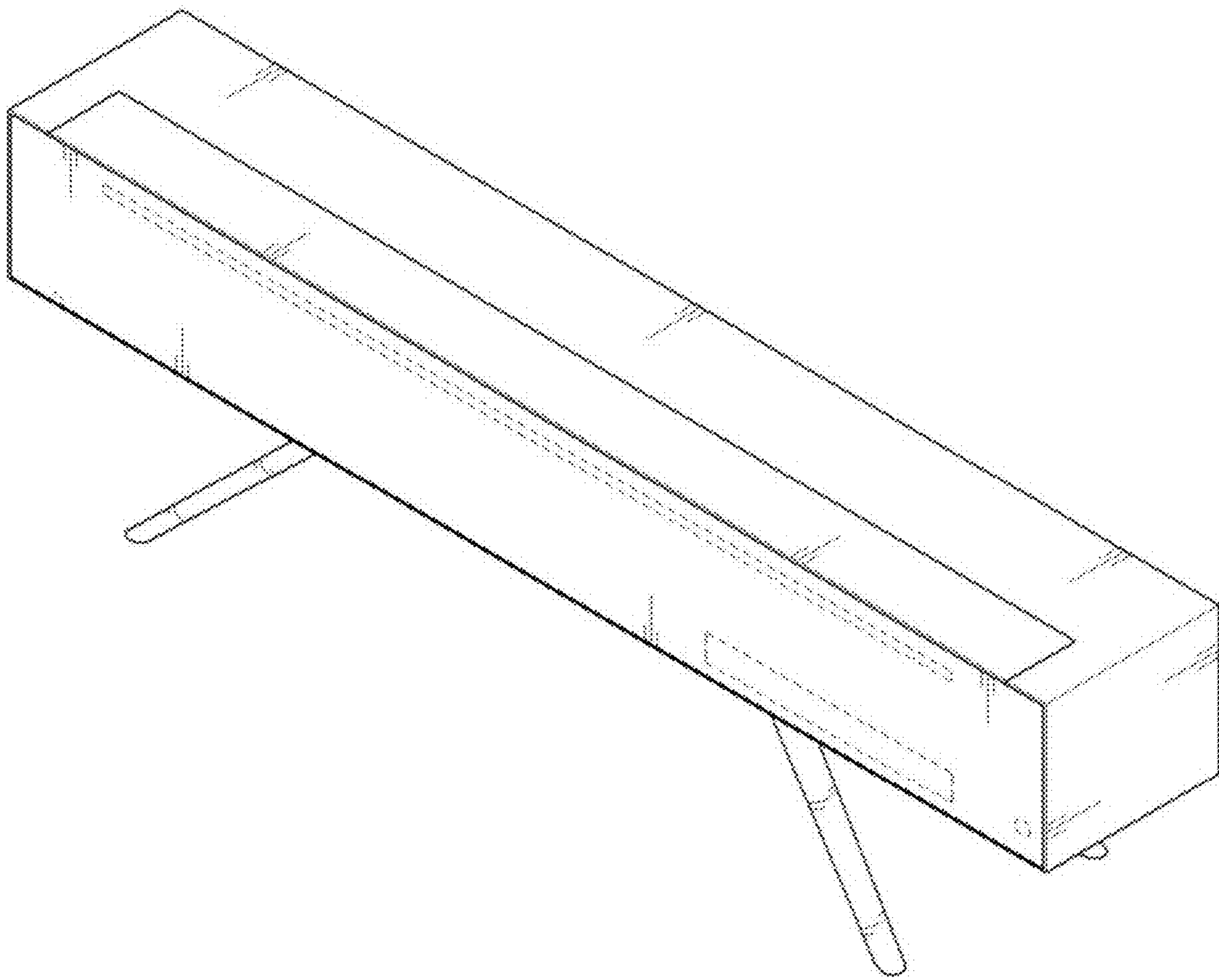
1.5



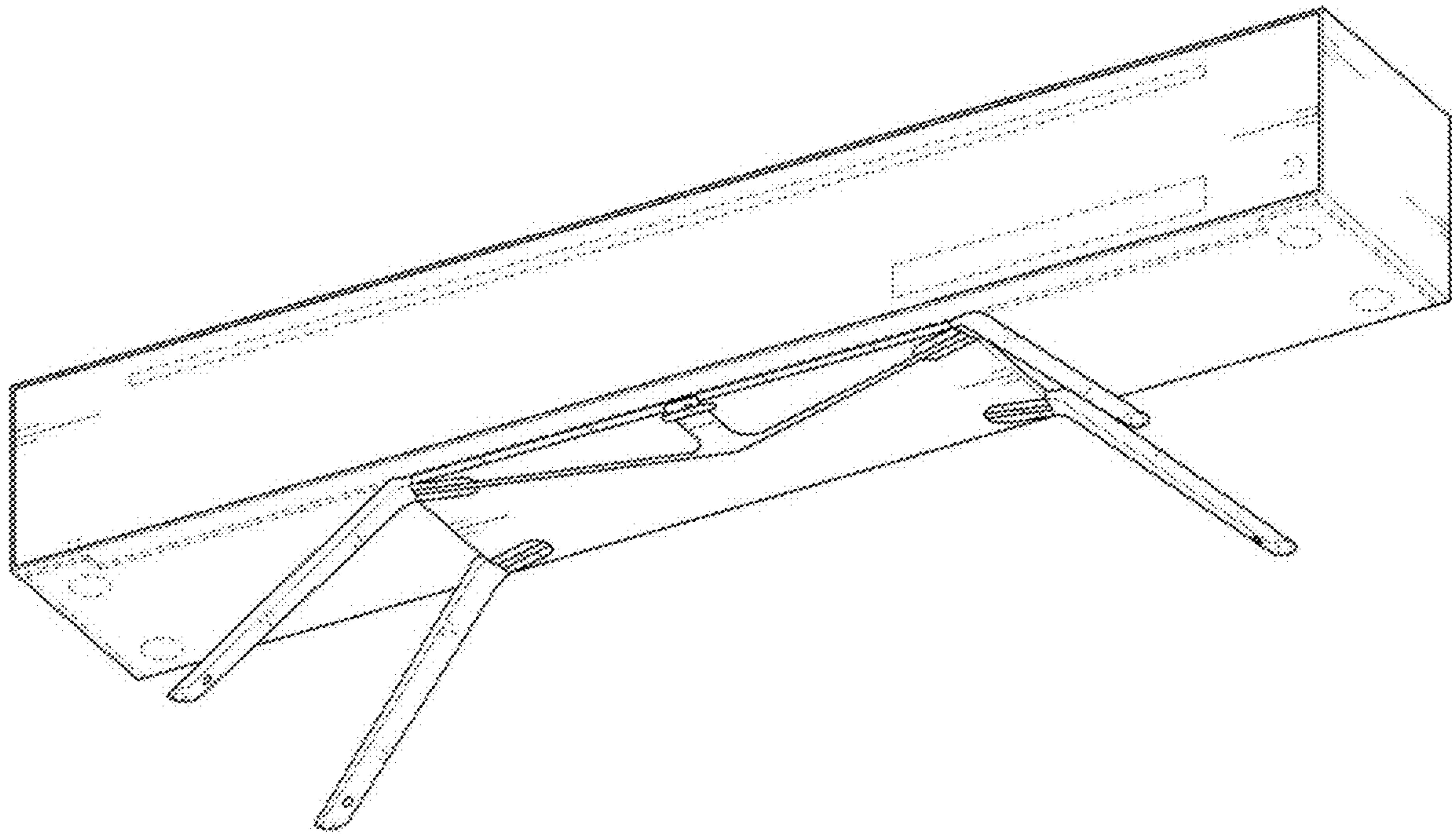
1.6



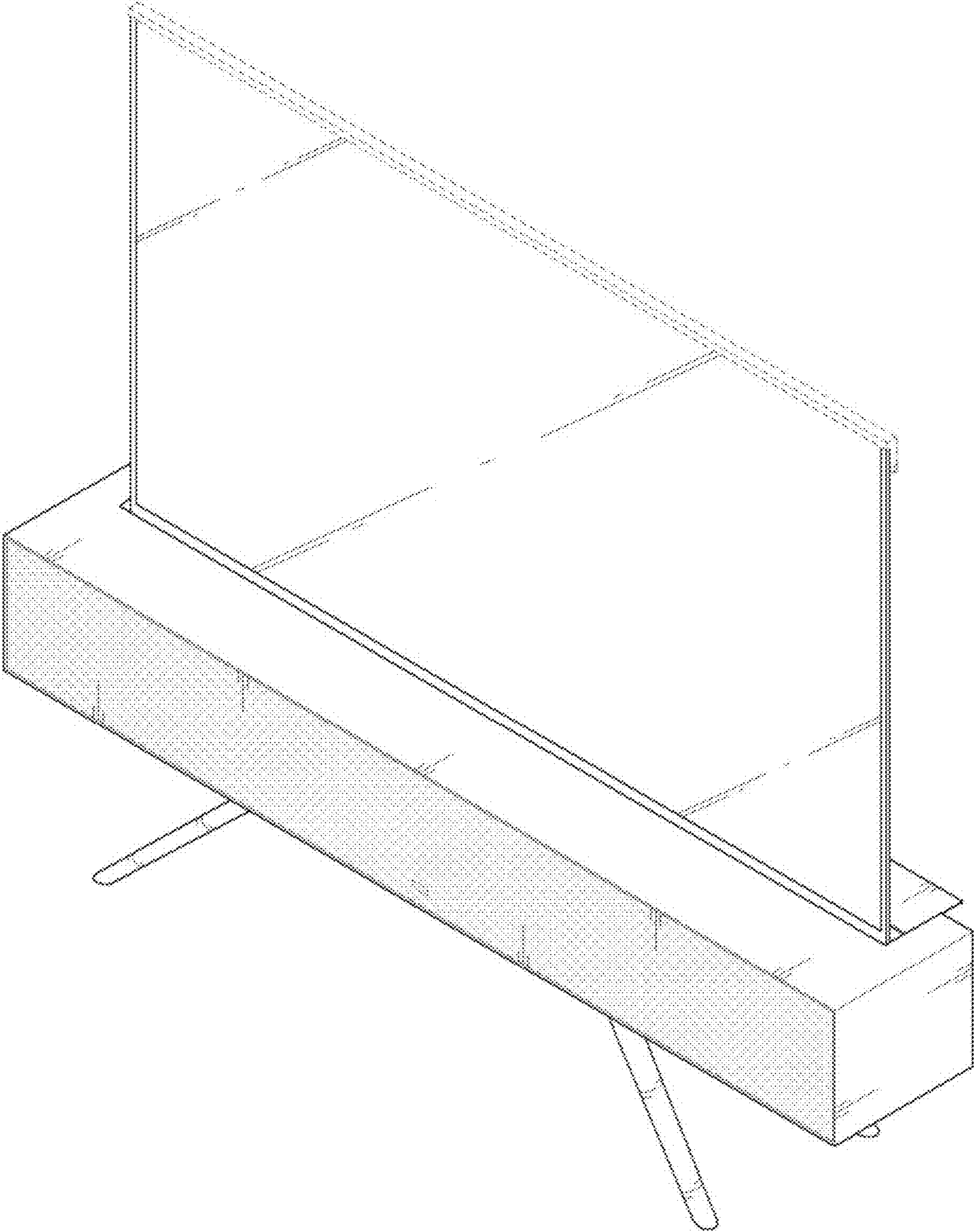
1.7



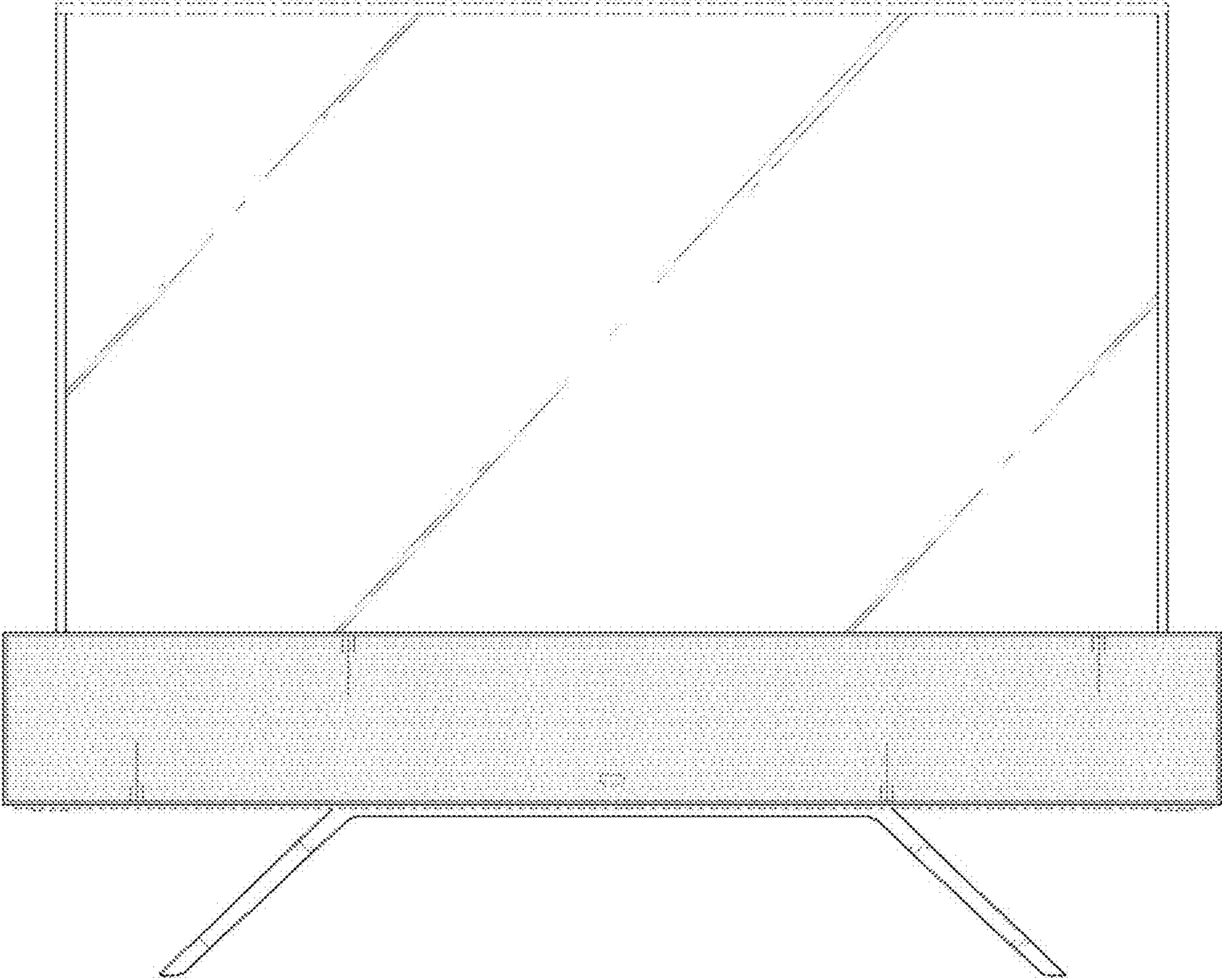
1.8



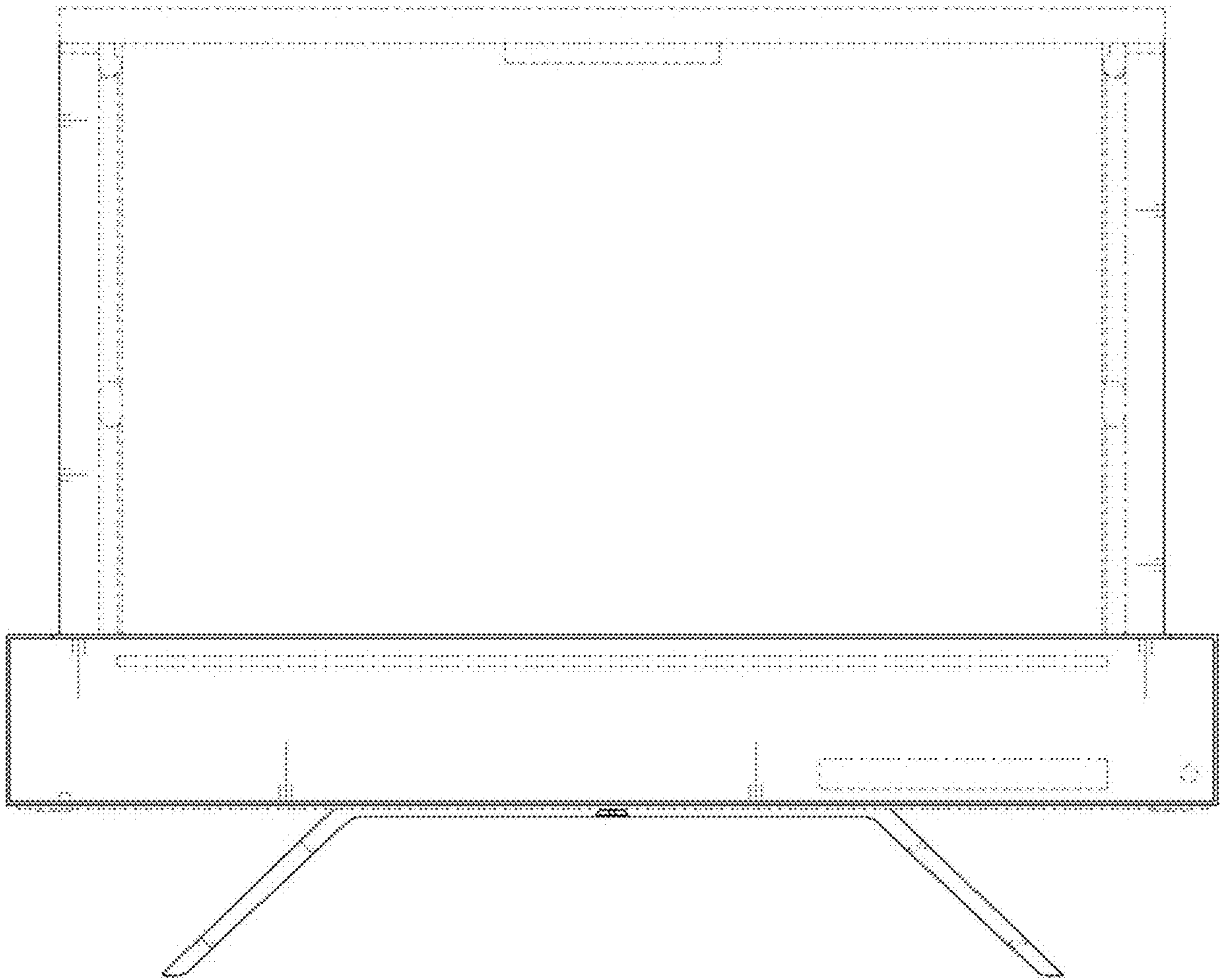
1.12



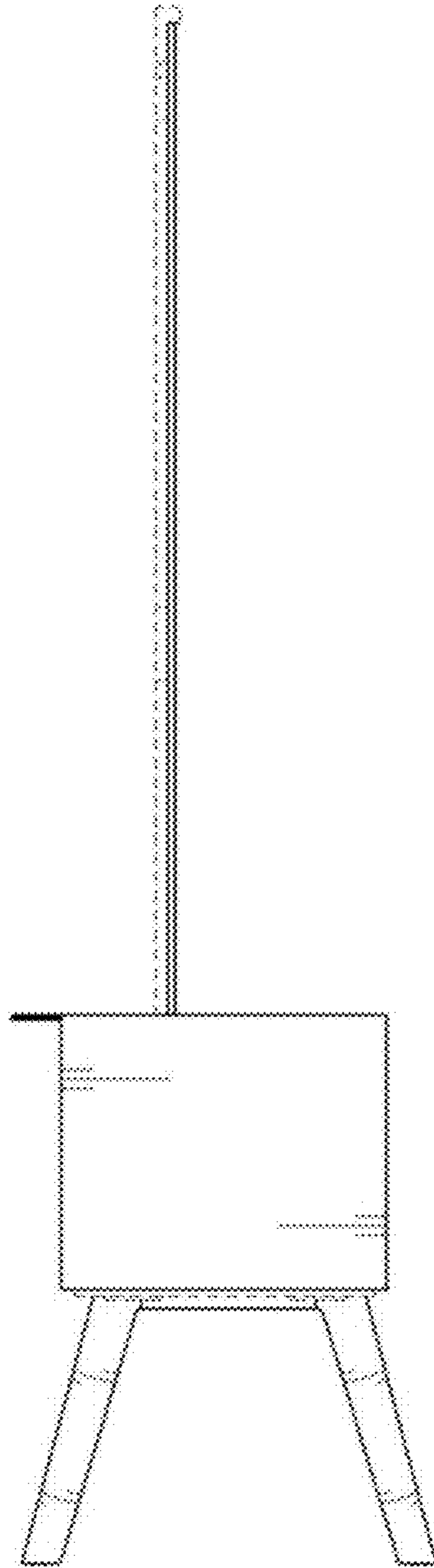
1.13



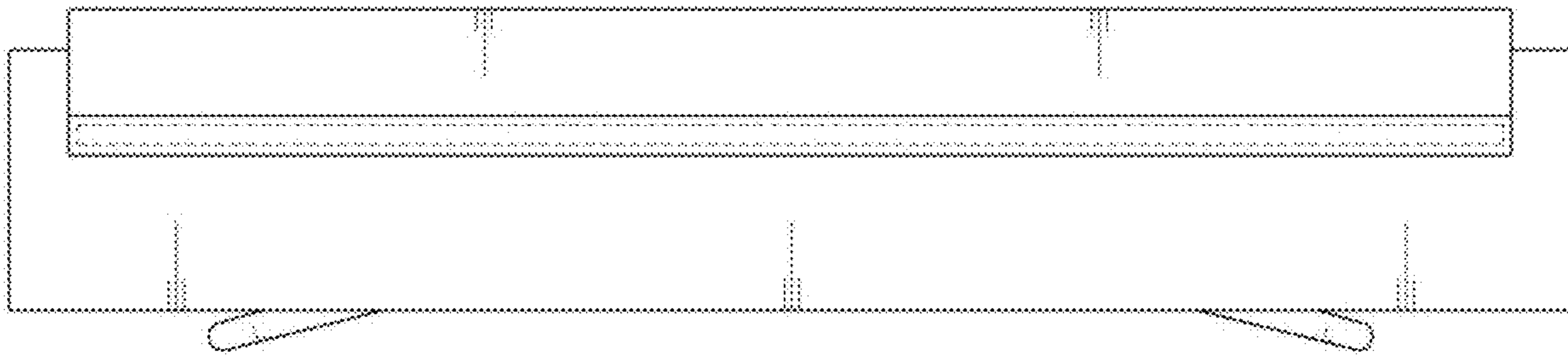
1.14



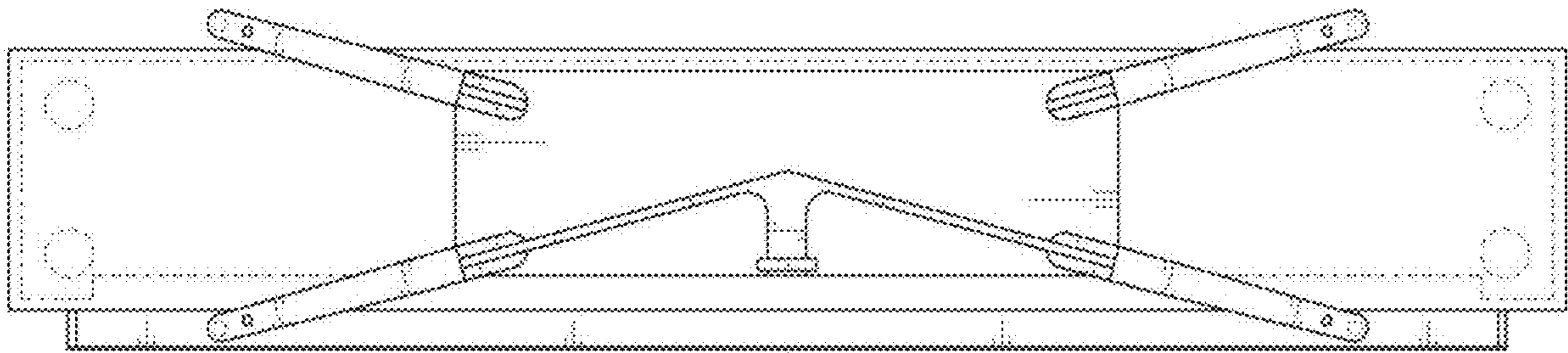
1.15



1.16



1.17



1.18

