



US00D912636S

(12) **United States Design Patent**  
**Matthews et al.**

(10) **Patent No.:** **US D912,636 S**

(45) **Date of Patent:** **\*\* \*Mar. 9, 2021**

(54) **ELECTRONICS ENCLOSURE**

(71) Applicant: **APPLIED IDEATION LLC**, San Diego, CA (US)

(72) Inventors: **Taylor E. Matthews**, San Diego, CA (US); **Jin H. Lee**, San Jose, CA (US); **Thomas A. Jung**, San Diego, CA (US)

(73) Assignee: **Applied Ideation, LLC**, San Diego, CA (US)

(\*) Notice: This patent is subject to a terminal disclaimer.

(\*\*) Term: **15 Years**

(21) Appl. No.: **29/634,408**

(22) Filed: **Jan. 22, 2018**

(51) **LOC (13) Cl.** ..... **13-03**

(52) **U.S. Cl.**  
USPC ..... **D13/184**

(58) **Field of Classification Search**  
USPC ..... D13/102–110, 118–119, 184, 199;  
D14/356, 432  
CPC ..... Y02E 60/10; Y02E 60/12; Y02E 60/122;  
Y02E 60/124; Y02E 60/50; H01M 2/02;  
H01M 2/022; H01M 2/0202; H01M  
2/0207; H01M 2/0212; H01M 2/1061;  
H01M 2/1022; H01M 2/1055; H01M  
2/1066; H01M 2/105  
See application file for complete search history.

(56) **References Cited**

**U.S. PATENT DOCUMENTS**

D680,068 S \* 4/2013 Lee ..... D13/108  
D682,197 S \* 5/2013 Leung ..... D13/103

D688,707 S \* 8/2013 Vincent ..... D14/496  
D744,420 S \* 12/2015 Chen ..... D13/103  
D762,170 S \* 7/2016 Lei ..... D13/108  
D772,807 S \* 11/2016 Chen ..... D13/103  
D776,050 S \* 1/2017 Awad ..... D13/102  
D791,070 S \* 7/2017 Son ..... D13/103  
D803,779 S \* 11/2017 Jung ..... D13/107  
D813,158 S \* 3/2018 Huang ..... D13/108  
D823,242 S \* 7/2018 Jun ..... D13/103  
D824,328 S \* 7/2018 Liu ..... D13/108  
D824,329 S \* 7/2018 Conocenti ..... D13/108  
D832,782 S \* 11/2018 Leabman ..... D13/108  
D832,783 S \* 11/2018 Leabman ..... D13/108  
D842,244 S \* 3/2019 Li ..... D13/108

\* cited by examiner

*Primary Examiner* — Janice Hallmark

*Assistant Examiner* — Harold E Blackwell, II

(74) *Attorney, Agent, or Firm* — Michael P. Alexander

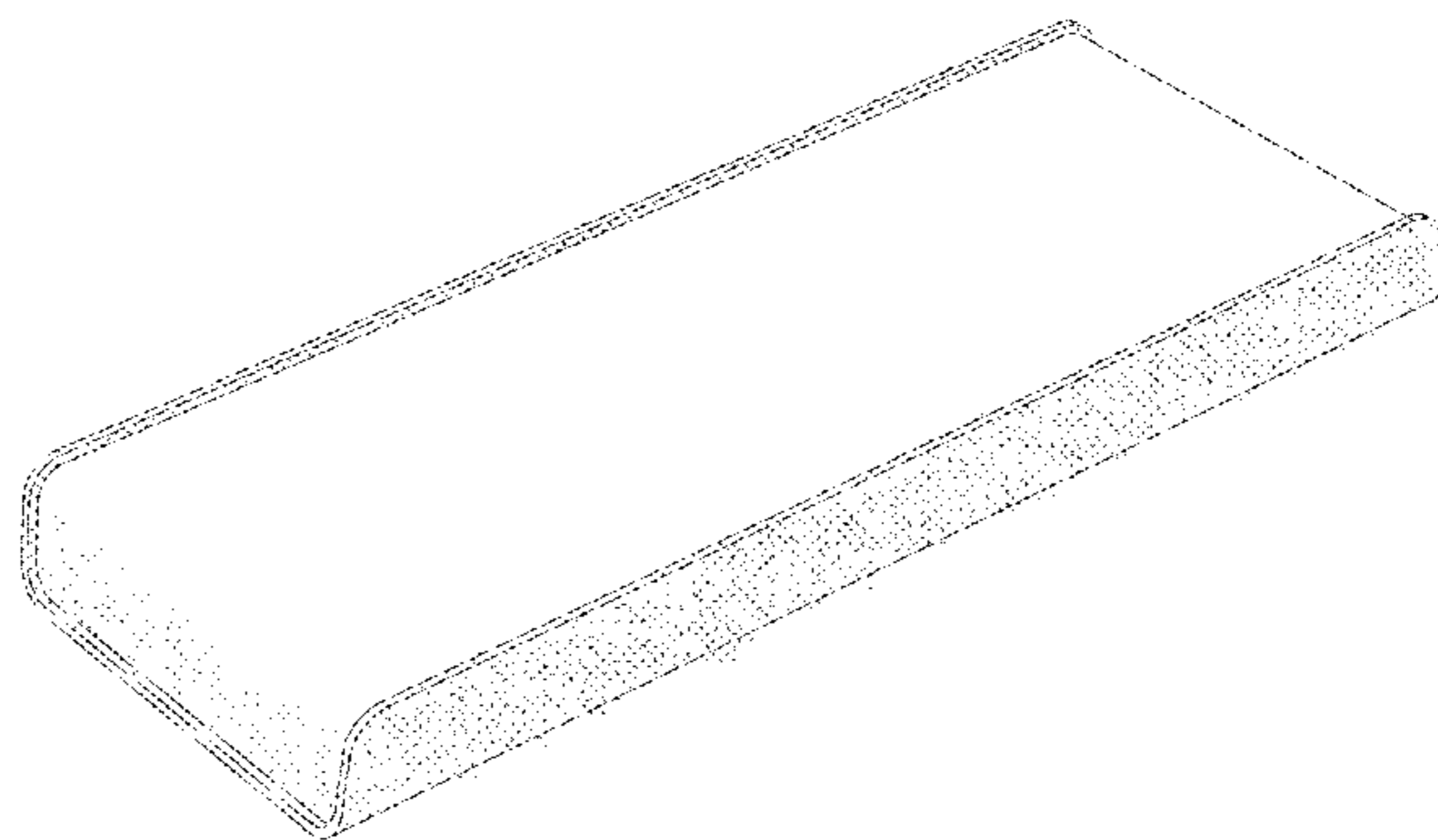
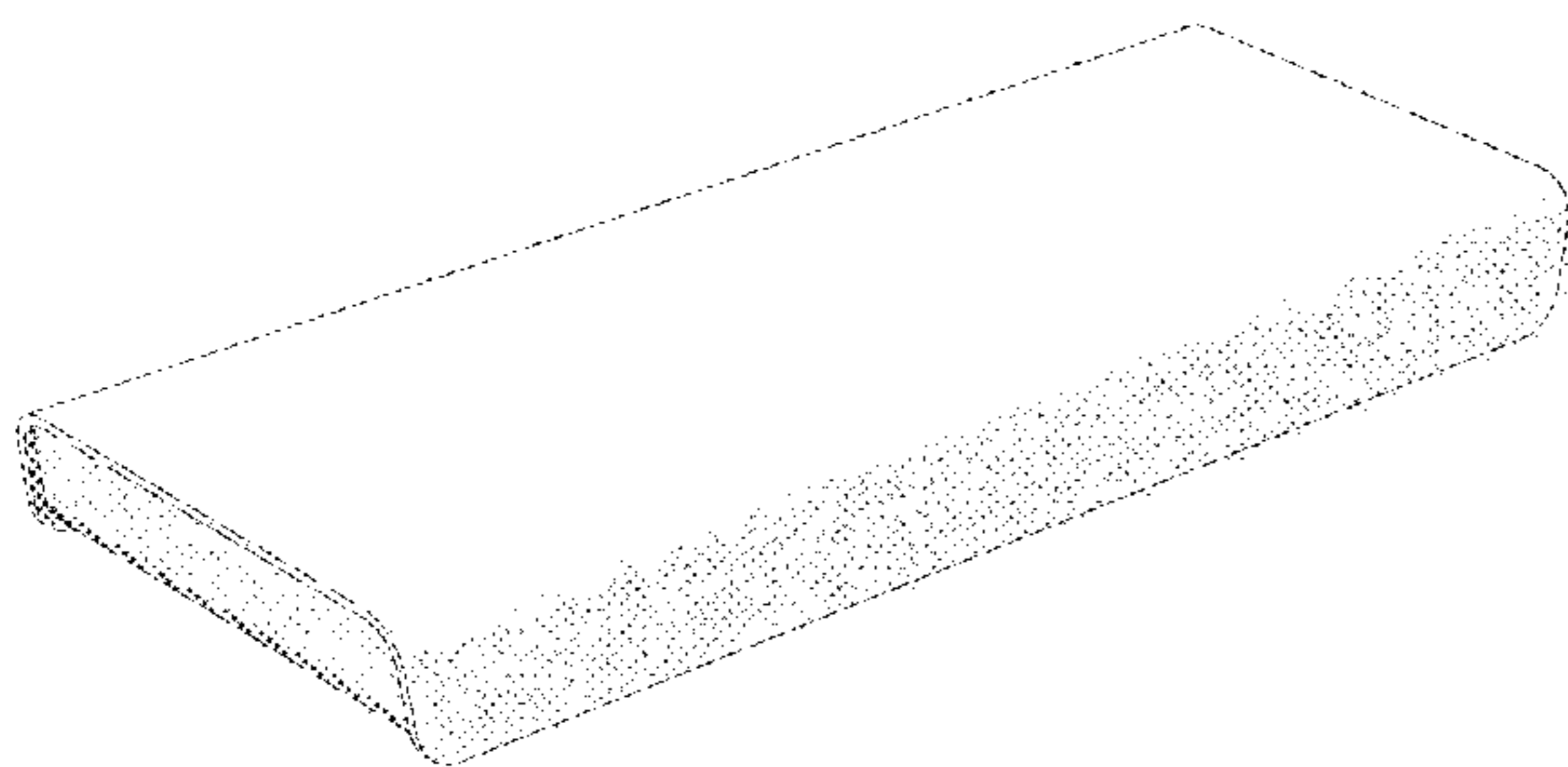
(57) **CLAIM**

We claim the ornamental design for an electronics enclosure, as shown and described.

**DESCRIPTION**

FIG. 1 is a perspective view showing a top, front, and left side of our new design for the electronics enclosure;  
FIG. 2 is a perspective view showing a bottom, rear, and right side of our new design for the electronics enclosure;  
FIG. 3 is a front elevational view thereof, which is identical to the rear elevational view;  
FIG. 4 is a right elevational view thereof, being an identical to the left elevational view;  
FIG. 5 is a bottom view thereof; and,  
FIG. 6 is a top view thereof.

**1 Claim, 3 Drawing Sheets**



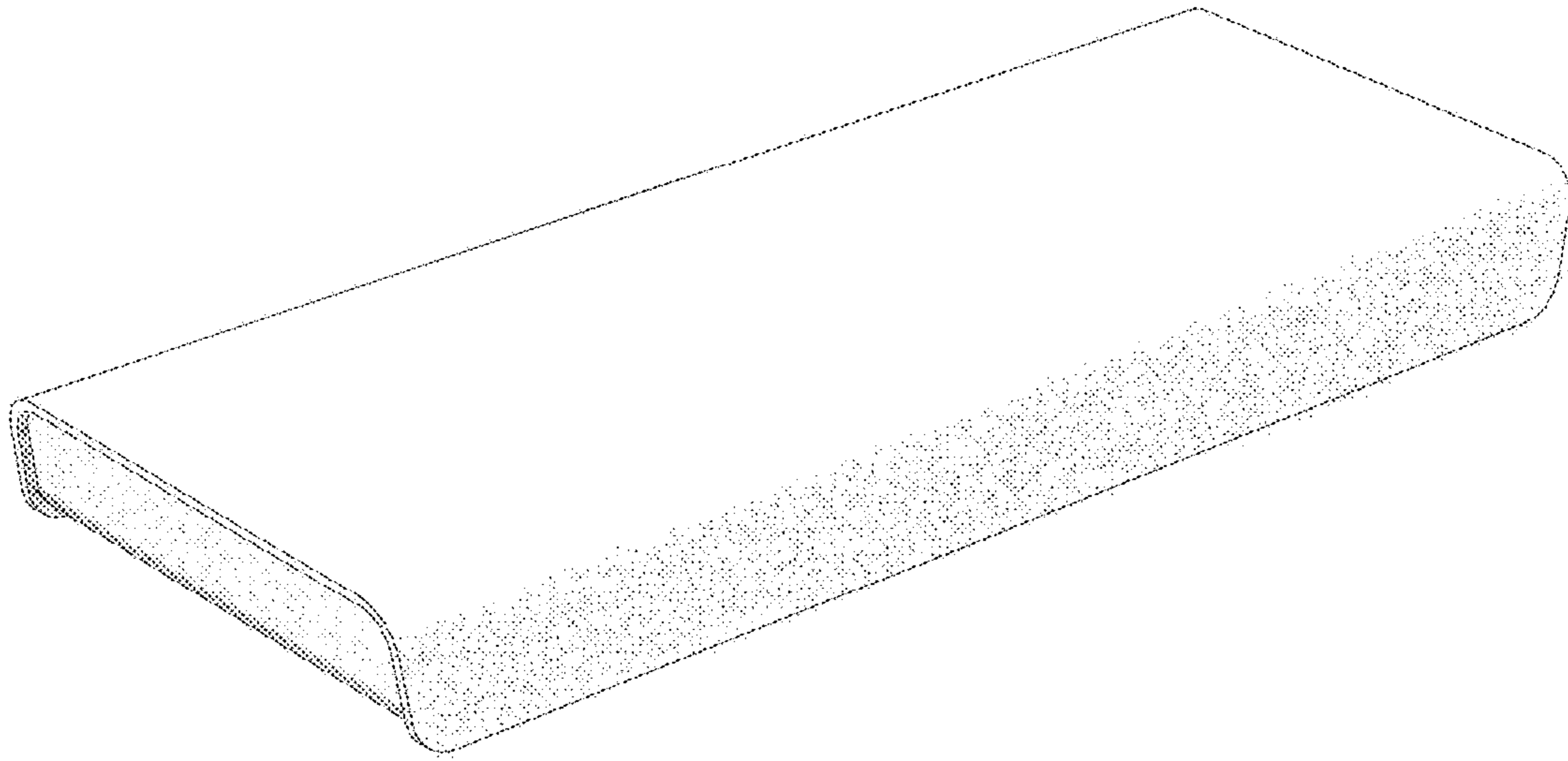


FIG. 1

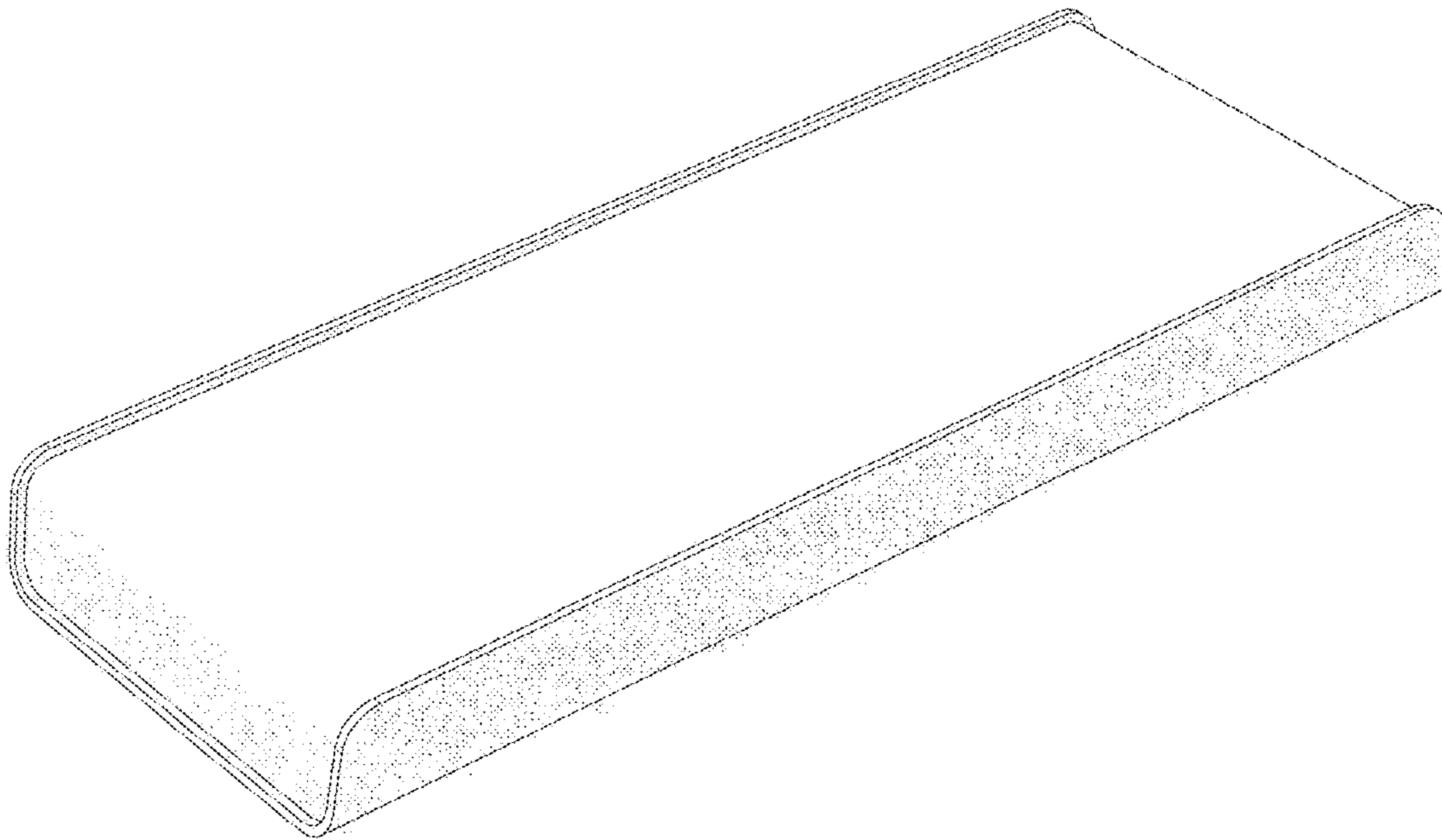


FIG. 2

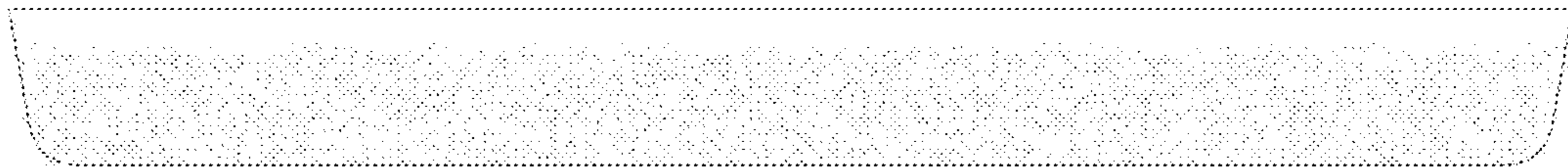


FIG. 3

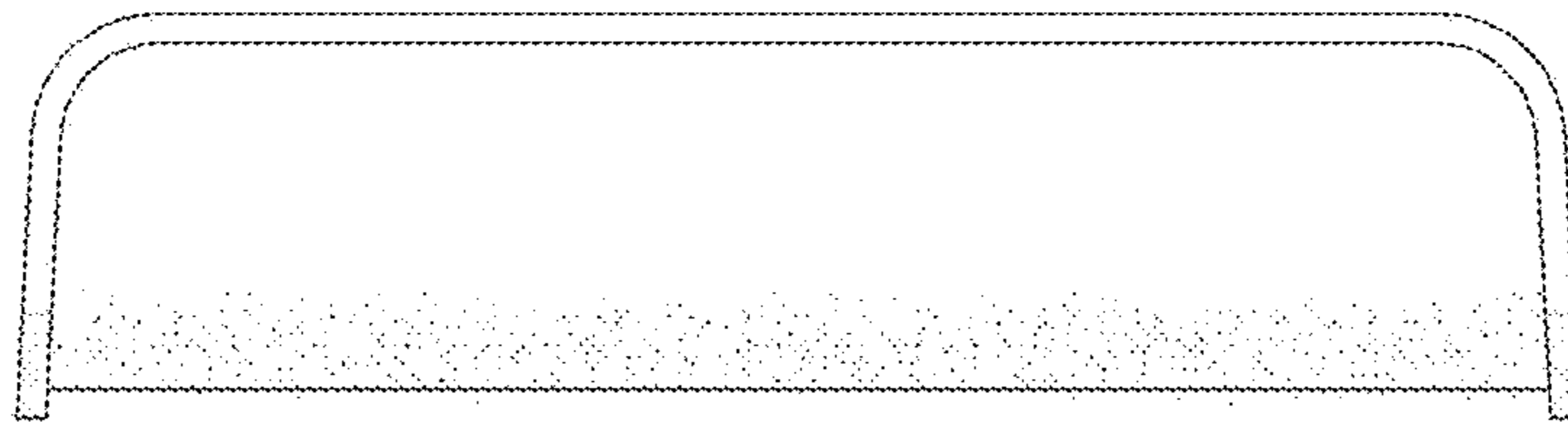


FIG. 4

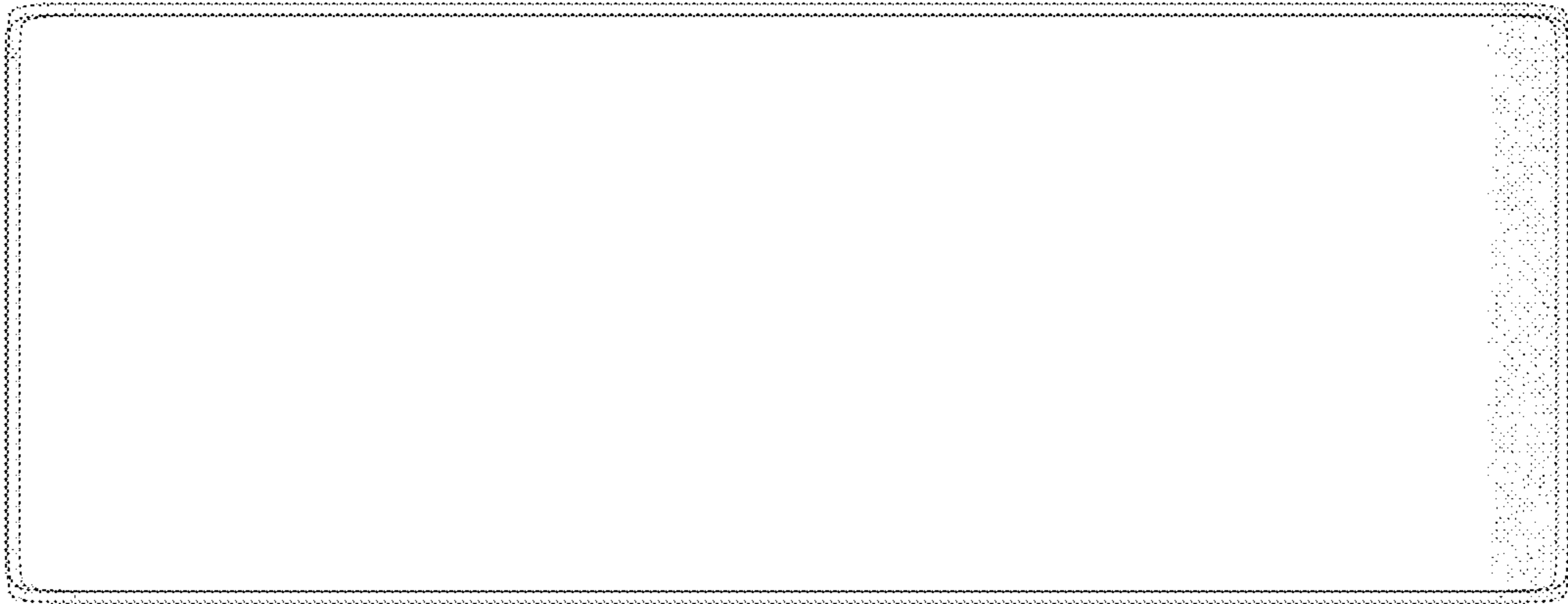


FIG. 5



FIG. 6