



US00D912635S

(12) **United States Design Patent**
Birchler et al.

(10) **Patent No.:** **US D912,635 S**

(45) **Date of Patent:** **** Mar. 9, 2021**

(54) **WIRELESS HAND CONTROLLER**

(71) Applicant: **Reliance Medical Products**, Mason, OH (US)

(72) Inventors: **Terry Birchler**, Blacklick, OH (US); **Erik Turocy**, Bexley, OH (US); **Jeffery Accursi**, Columbus, OH (US); **Brian Shane**, Gahanna, OH (US); **Grace Tesmer**, Dublin, OH (US); **Joe Pisauro**, Columbus, OH (US)

(73) Assignee: **RELIANCE MEDICAL PRODUCTS**, Mason, OH (US)

(**) Term: **15 Years**

(21) Appl. No.: **29/709,123**

(22) Filed: **Oct. 11, 2019**

(51) **LOC (13) Cl.** **14-03**

(52) **U.S. Cl.**
USPC **D13/168**

(58) **Field of Classification Search**
USPC D13/168; D14/218; D24/215
CPC .. H01H 9/0214; H01H 9/0235; H01H 9/0242;
H04B 1/202; G08C 17/02; G08C 19/00;
G08C 19/02; G08C 19/12; G08C 19/28;
G08C 23/04; A47C 31/008; A61G 7/018
See application file for complete search history.

(56) **References Cited**

U.S. PATENT DOCUMENTS

D533,514 S * 12/2006 Hidalgo D13/168
D568,827 S * 5/2008 Ikeda D13/168
D571,305 S * 6/2008 Thursfield D13/168

D633,478 S * 3/2011 Bolton D14/218
D645,848 S * 9/2011 Arnholt D14/218
D723,478 S * 3/2015 Turksu D13/168
D752,555 S * 3/2016 Langhammer D14/218
9,589,457 B1 * 3/2017 Wengreen G08C 23/04
D858,464 S * 9/2019 Li D13/168
D897,295 S * 9/2020 Wang D13/168
2016/0008609 A1 * 1/2016 Chen A61N 1/37217
607/59
2017/0068449 A1 * 3/2017 Stapnes Johnsen G06F 3/023
2017/0213448 A1 * 7/2017 Matvienko H04L 67/125

* cited by examiner

Primary Examiner — Selina Sikder

(74) *Attorney, Agent, or Firm* — Taft Stettinius & Hollister LLP; Derek B. Lavender

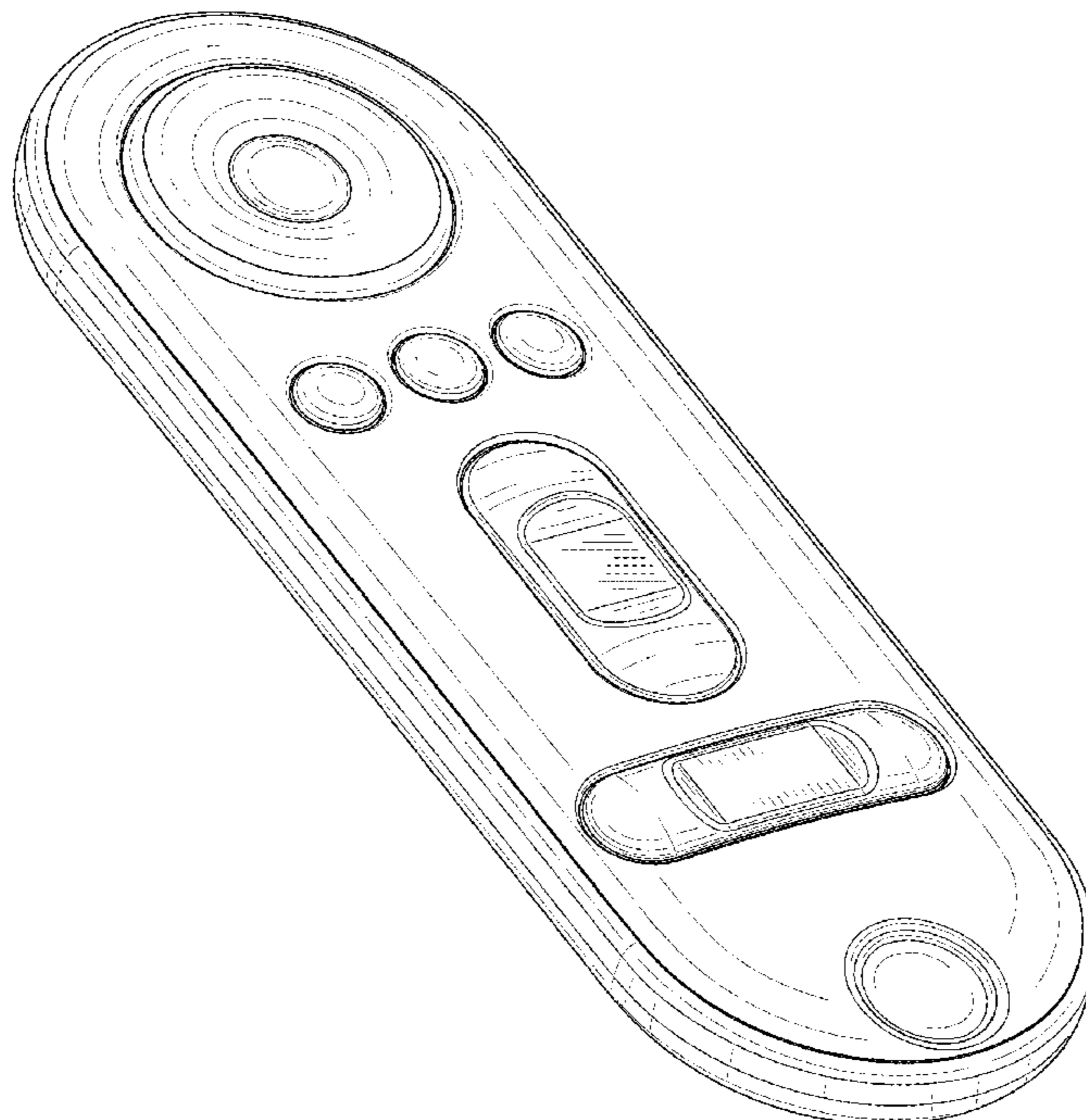
(57) **CLAIM**

The ornamental design for a wireless hand controller, as shown and described.

DESCRIPTION

FIG. 1 is a top perspective front view of a wireless hand controller of the present invention.
FIG. 2 is a top view of a wireless hand controller of the present invention.
FIG. 3 is a bottom view of a wireless hand controller of the present invention.
FIG. 4 is a first side view of a wireless hand controller of the present invention.
FIG. 5 is a second side view of a wireless hand controller of the present invention.
FIG. 6 is a front end view of a wireless hand controller of the present invention; and,
FIG. 7 is a back end view of a wireless hand controller of the present invention.

1 Claim, 5 Drawing Sheets



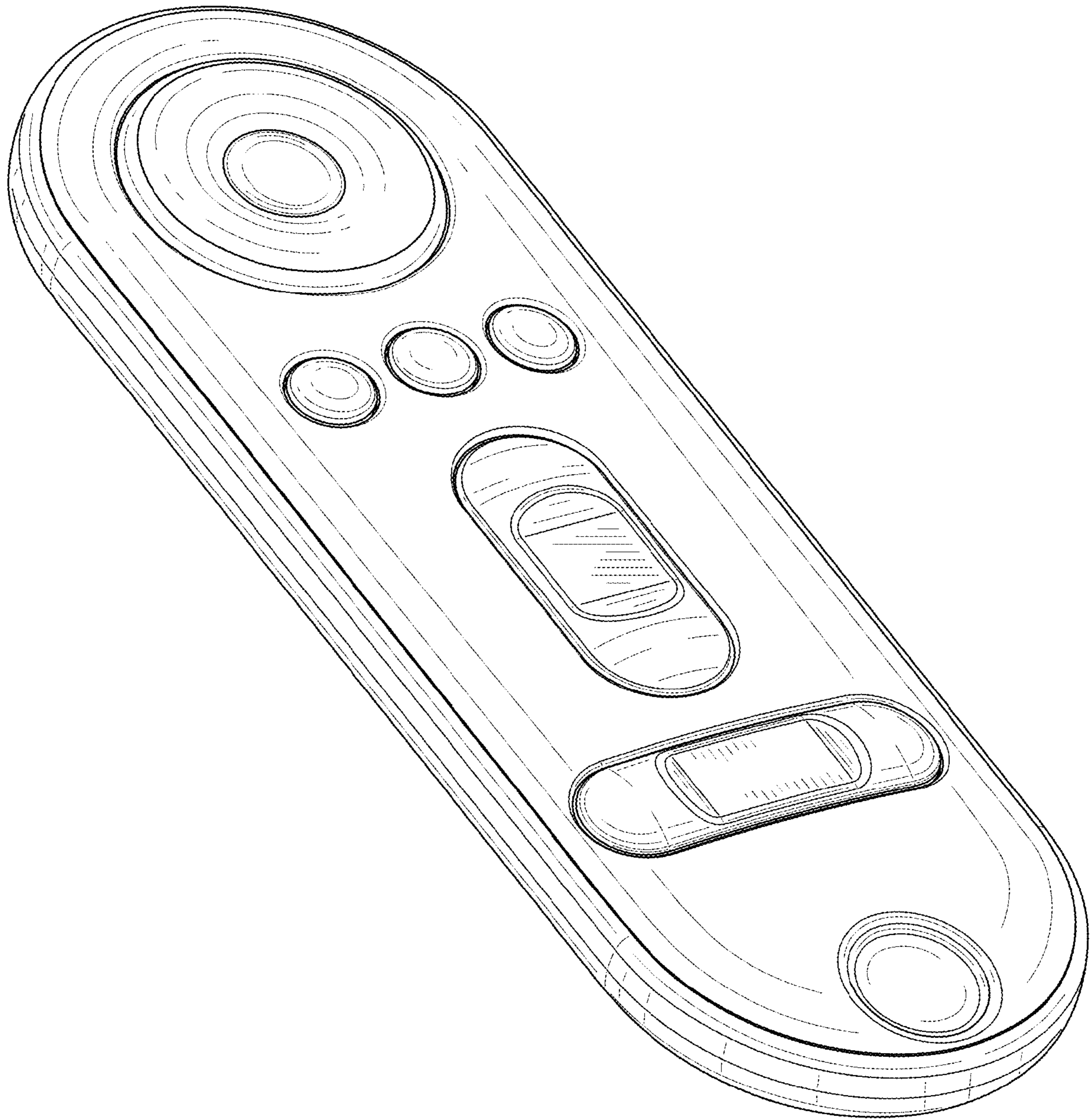


FIG. 1

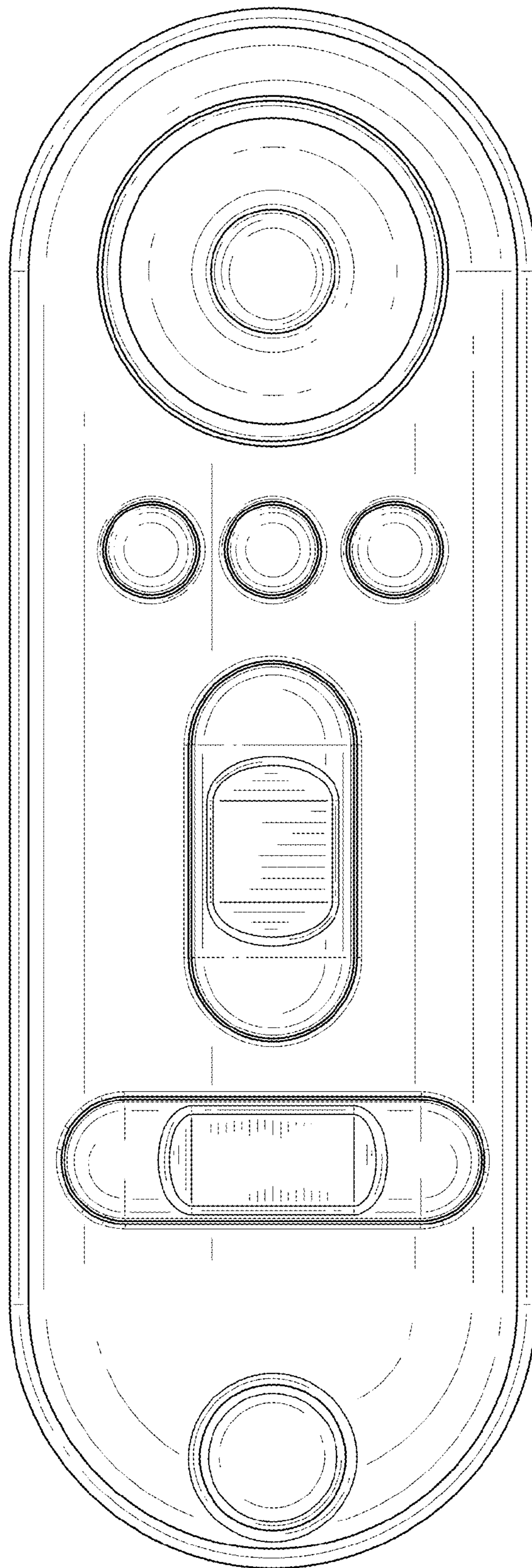


FIG. 2

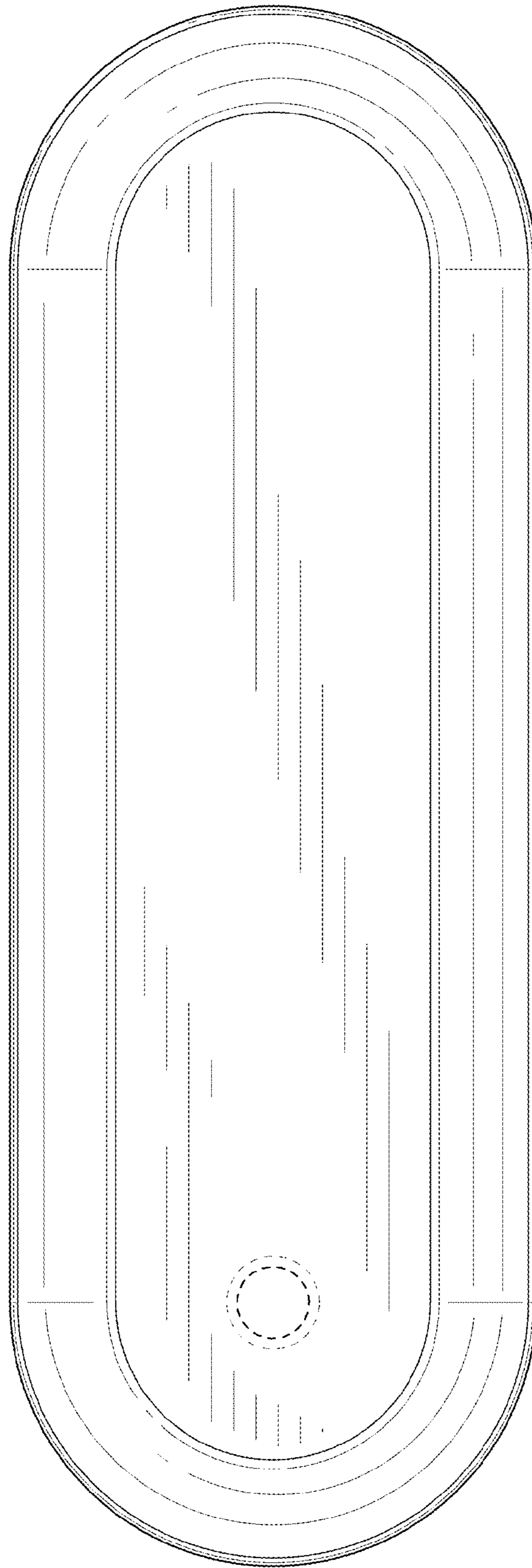


FIG. 3

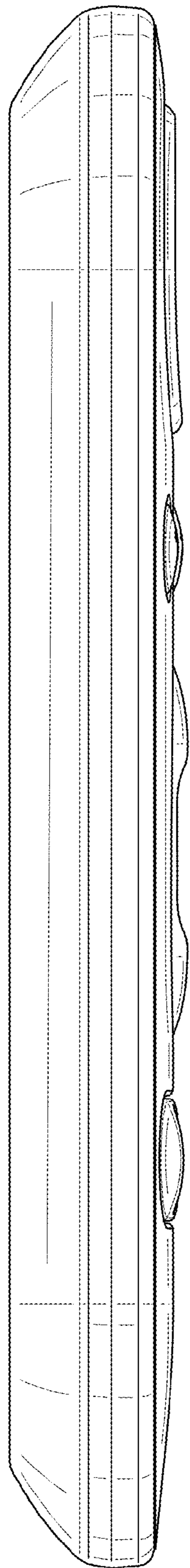


FIG. 4

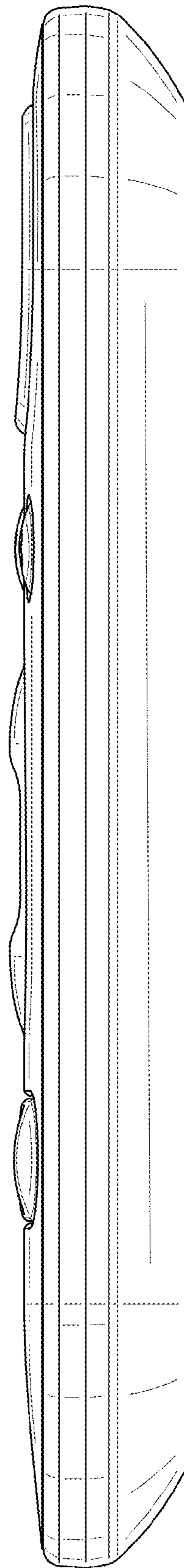


FIG. 5

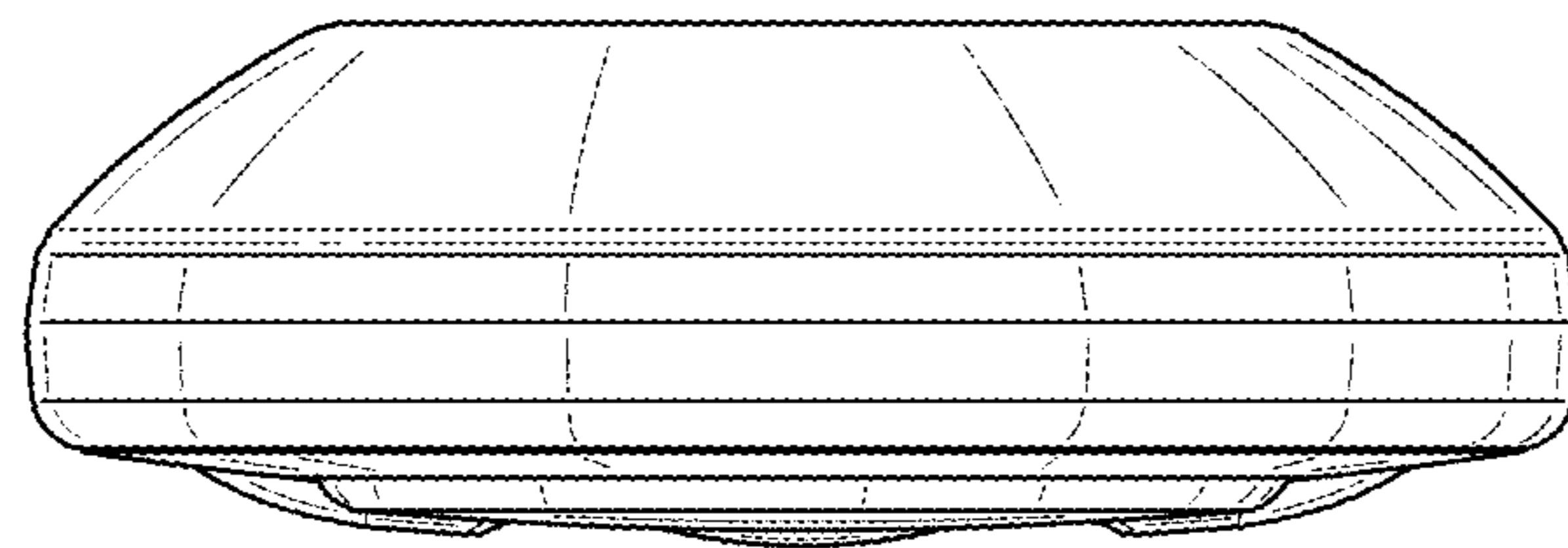


FIG. 6

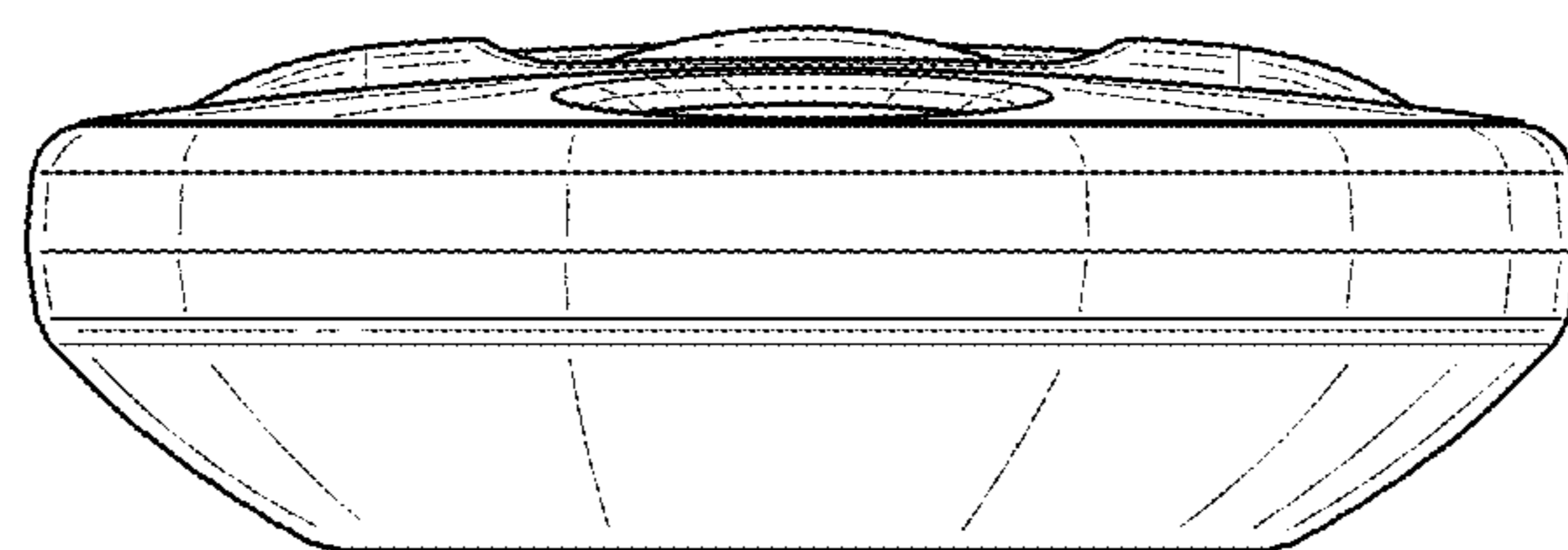


FIG. 7