

US00D912628S

(12) **United States Design Patent**  
**Fung**

(10) **Patent No.:** **US D912,628 S**

(45) **Date of Patent:** **\*\* Mar. 9, 2021**

(54) **POWER RECEPTACLE**

(56) **References Cited**

(71) Applicant: **Arconas Corporation**, Mississauga (CA)

U.S. PATENT DOCUMENTS

(72) Inventor: **Aaron Ming Kai Fung**, North York (CA)

4,379,607	A	4/1983	Bowdin, Jr.	
4,867,694	A	9/1989	Short	
D347,622	S *	6/1994	Flasz .....	D13/139.3
6,537,088	B2	3/2003	Huang	
7,114,968	B2	10/2006	Healy	
D558,676	S *	1/2008	Fort .....	D13/139.3
7,452,221	B1	11/2008	Odds et al.	

(73) Assignee: **ARCONAS CORPORATION**, Mississauga (CA)

(Continued)

(\*\*) Term: **15 Years**

OTHER PUBLICATIONS

(21) Appl. No.: **29/628,431**

Amazon.com: Cypollia US Seller Waterproof Panel Mount . . .  
Date First Available of Sep. 22, 2016. Retrieved from the internet at  
<<https://www.amazon.com/Waterproof-Generator-Socket-Receptacle-Grouding/dp/B01M0J4XS0/>>, Jan. 31, 2020. 1 page. (Year: 2016).\*

(22) Filed: **Dec. 5, 2017**

(51) **LOC (13) Cl.** ..... **13-03**

(52) **U.S. Cl.**  
USPC ..... **D13/139.3**

(58) **Field of Classification Search**

USPC ..... D13/103, 107, 108, 110, 133,  
D13/137.1-137.4, 138.1-138.2,  
D13/139.1-139.8, 146, 147, 151-156,  
D13/173, 177, 199, 139.3; D14/432, 433,  
D14/435.1, 250; D23/231, 232;  
D15/7-9; D8/350, 353-356

CPC ..... H01R 11/00; H01R 9/00; H01R 13/00;  
H01R 13/04; H01R 13/10; H01R  
13/6666; H01R 13/6675; H01R 25/00;  
H01R 25/006; H01H 2207/00; H01H  
2207/022; Y02E 60/12; Y02E 60/122;  
Y02E 60/124; Y02E 60/50; H01M 2/02;  
H01M 2/022; H01M 2/0202; H01M  
2/0207; H01M 2/0212; H01M 2/1061;  
H01M 2/1022; H01M 2/1055; H01M  
2/1066; H01M 2/105; H01M 2/204; H02J  
7/00; H02J 7/0003; H02J 7/0011; H02J  
7/0013; H02J 7/0054; H02J 7/0055; H02J  
7/0057; Y02T 10/7005; Y02T 10/705;  
Y02T 10/7088; B60L 11/1809; B60L  
11/1861

*Primary Examiner* — Christy Nemeth

(74) *Attorney, Agent, or Firm* — Westman, Champlin & Koehler, P.A.

(57) **CLAIM**

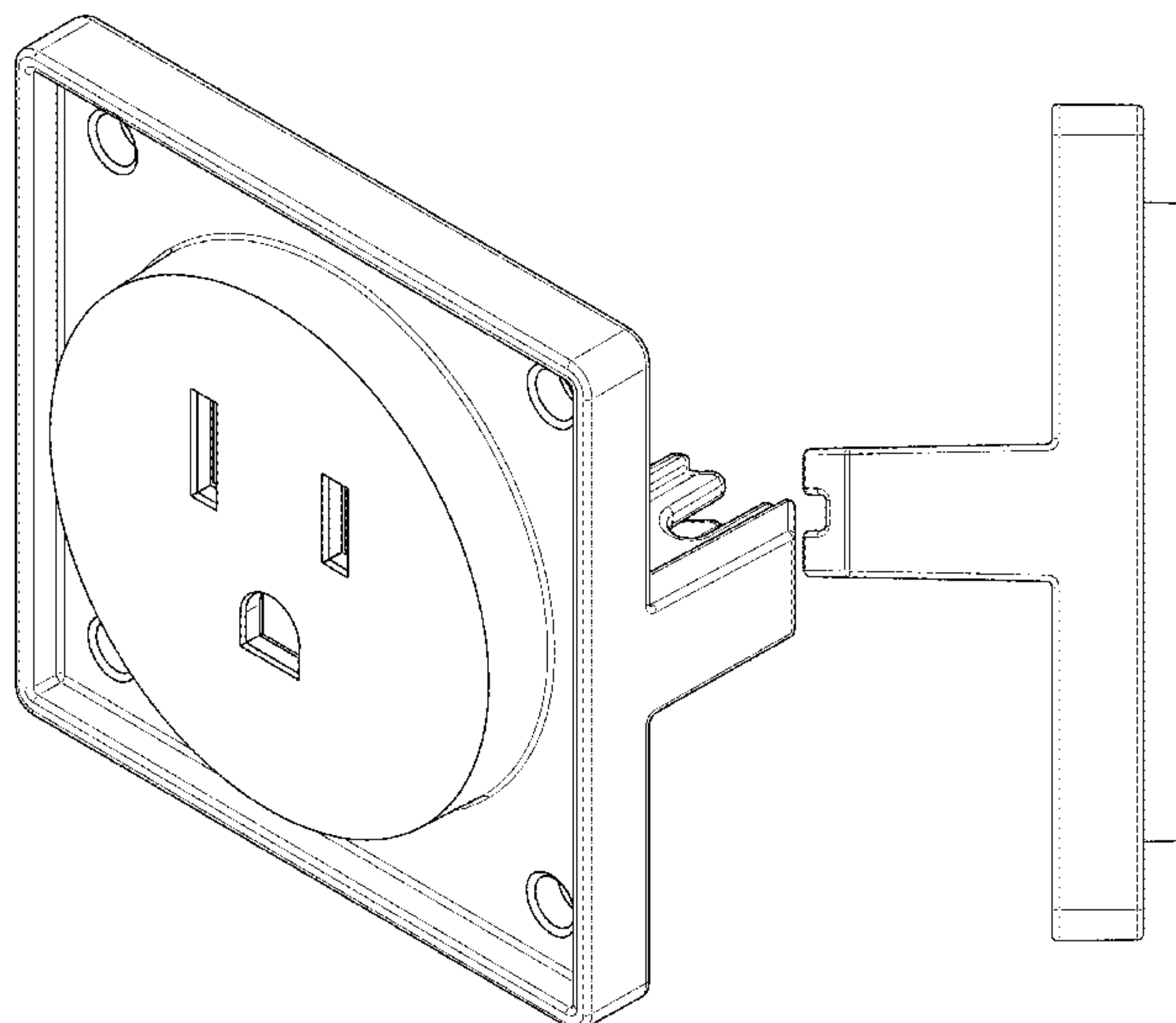
The ornamental design for a power receptacle, as shown and described.

**DESCRIPTION**

FIG. 1 is a front perspective view of a power receptacle of our new design;  
FIG. 2 is a front elevation view thereof;  
FIG. 3 is a right elevation view thereof;  
FIG. 4 is a left elevation view thereof;  
FIG. 5 is a rear elevation view thereof;  
FIG. 6 is a top plan view thereof; and,  
FIG. 7 is a bottom plan view thereof.  
The broken lines in the drawings are for the purpose of illustrating portions of the article that form no part of the claimed design.

See application file for complete search history.

**1 Claim, 7 Drawing Sheets**



(56)

**References Cited**

U.S. PATENT DOCUMENTS

7,455,538	B2	11/2008	Germain	
7,510,412	B1	3/2009	Valentin	
7,645,149	B2	1/2010	Carbone et al.	
7,942,681	B2	5/2011	Ni	
8,193,445	B2	6/2012	Li	
D667,794	S *	9/2012	Junko .....	D13/139.1
8,366,463	B2	2/2013	Zhang et al.	
8,568,152	B1	10/2013	Weeks	
D755,127	S *	5/2016	Wong .....	D13/137.2
D799,934	S *	10/2017	Poulheim .....	D8/353
D804,429	S *	12/2017	Baldwin .....	D13/156
D832,786	S *	11/2018	Zhu .....	D13/139.1
D836,542	S *	12/2018	Xu .....	D13/107
D845,901	S *	4/2019	Chen .....	D13/137.2
D849,687	S *	5/2019	Dai .....	D13/137.2
D858,439	S *	9/2019	Li .....	D13/108
D859,311	S *	9/2019	Liao .....	D13/137.3
D860,948	S *	9/2019	Wang .....	D13/137.2
D867,295	S *	11/2019	Shaopeng .....	D13/137.2
D872,078	S *	1/2020	Wu .....	D14/358
2011/0104919	A1 *	5/2011	Patel .....	H01R 25/006 439/137
2015/0236449	A1 *	8/2015	Puschnigg .....	H01R 13/717 439/304

OTHER PUBLICATIONS

NEMA Power Outlet (tamper resistant), Press Releases —Nema Power Outlet, [http://www.qualtekusa.com/press\\_releases\\_nema.php](http://www.qualtekusa.com/press_releases_nema.php), downloaded Mar. 12, 2018, 2 pages.

\* cited by examiner

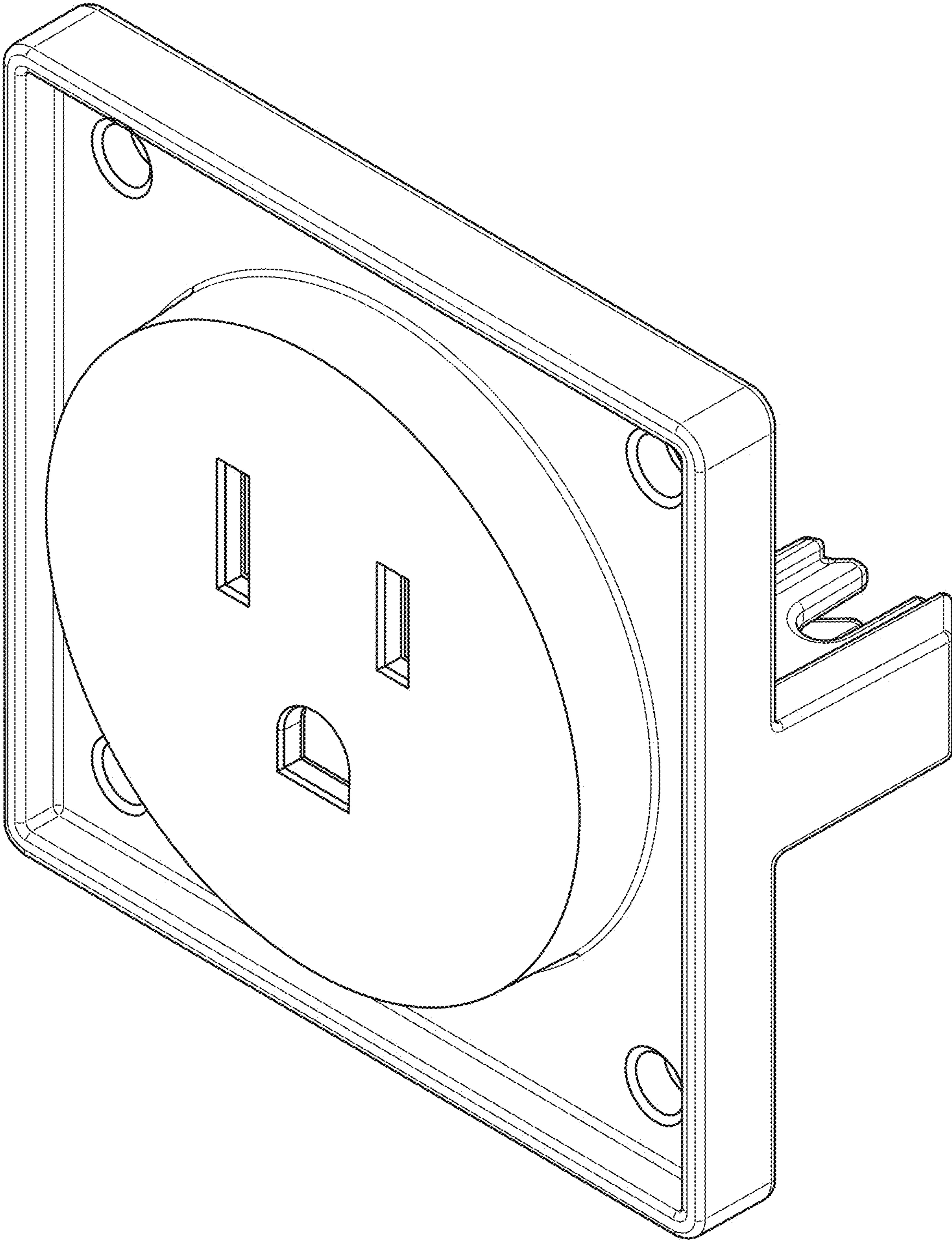


FIG. 1



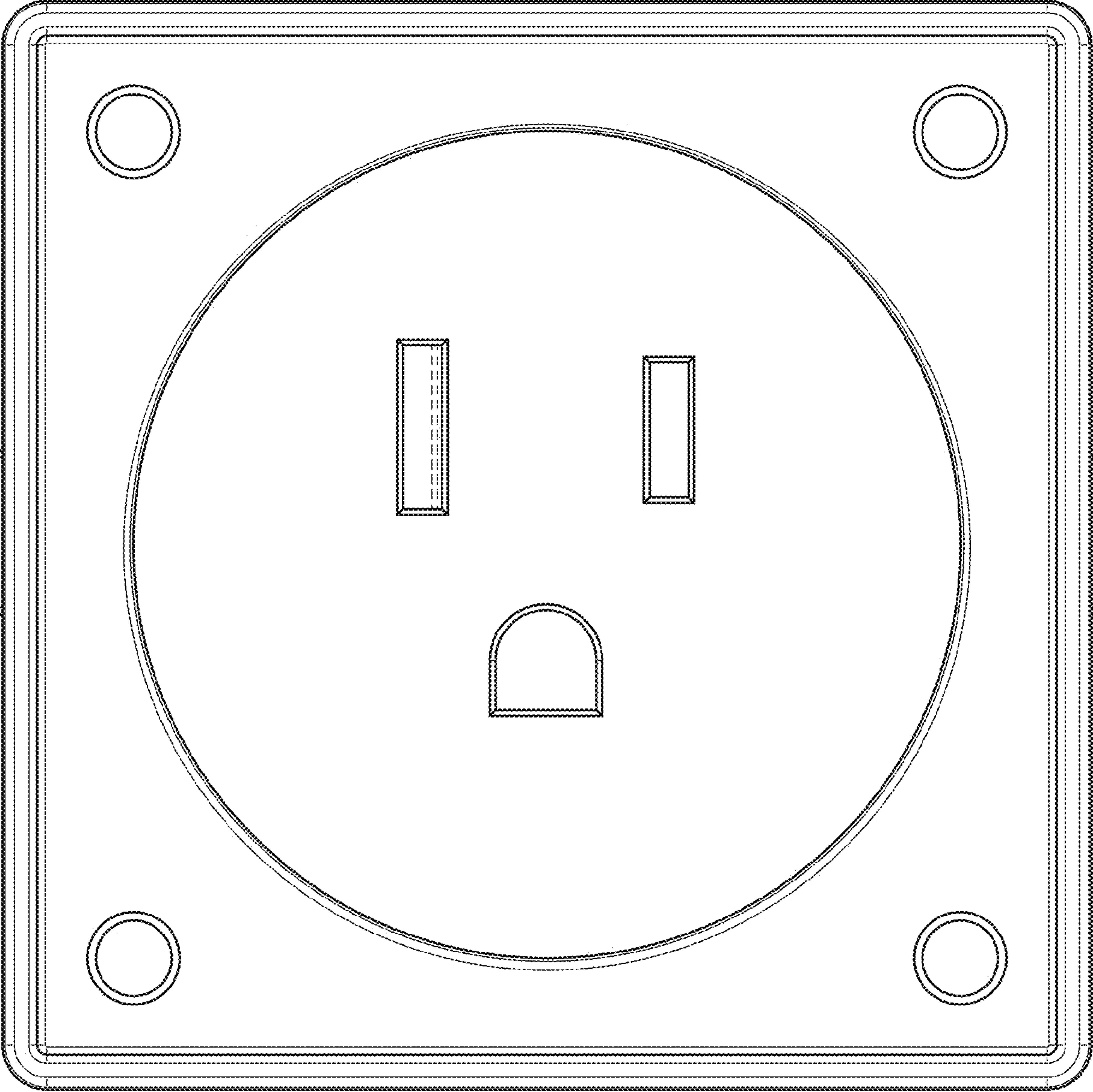


FIG. 2

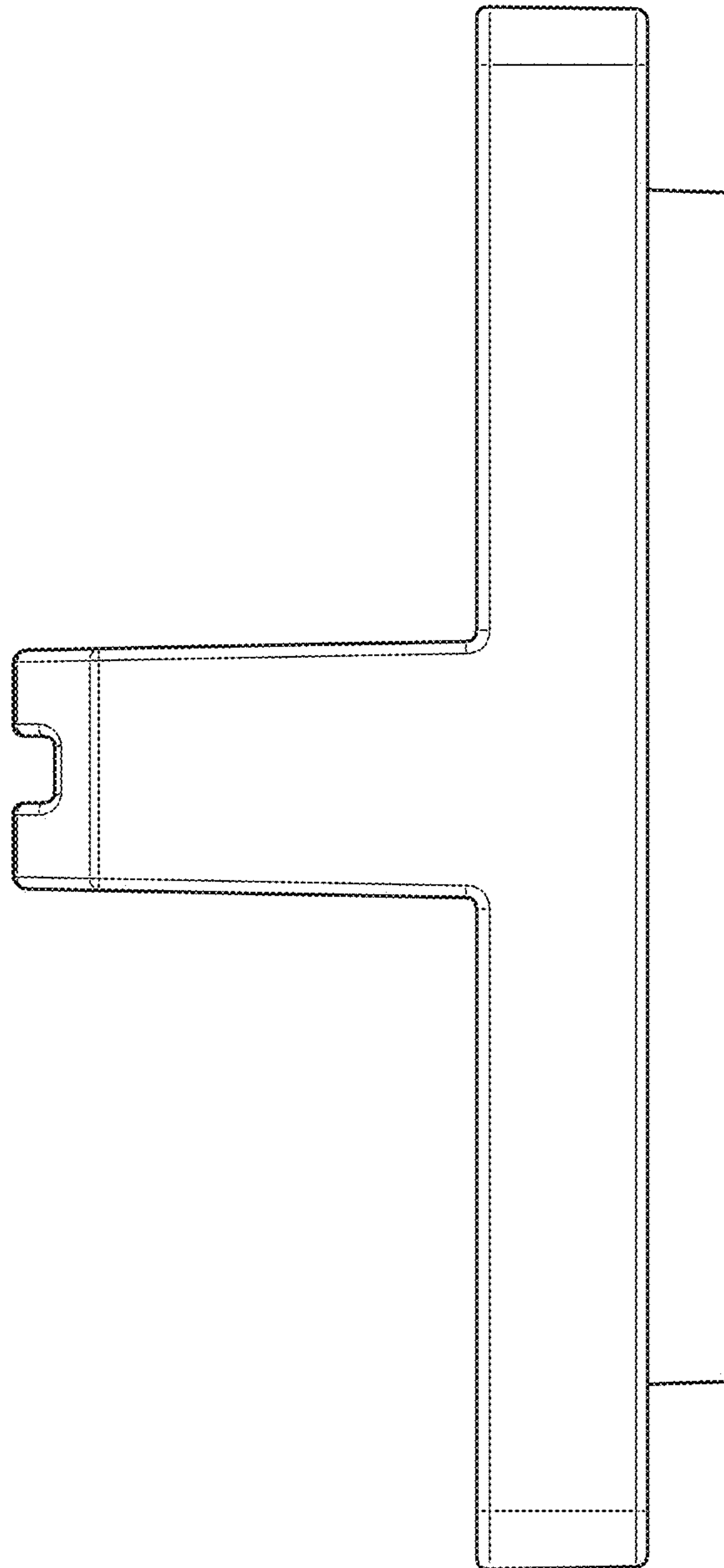


FIG. 3

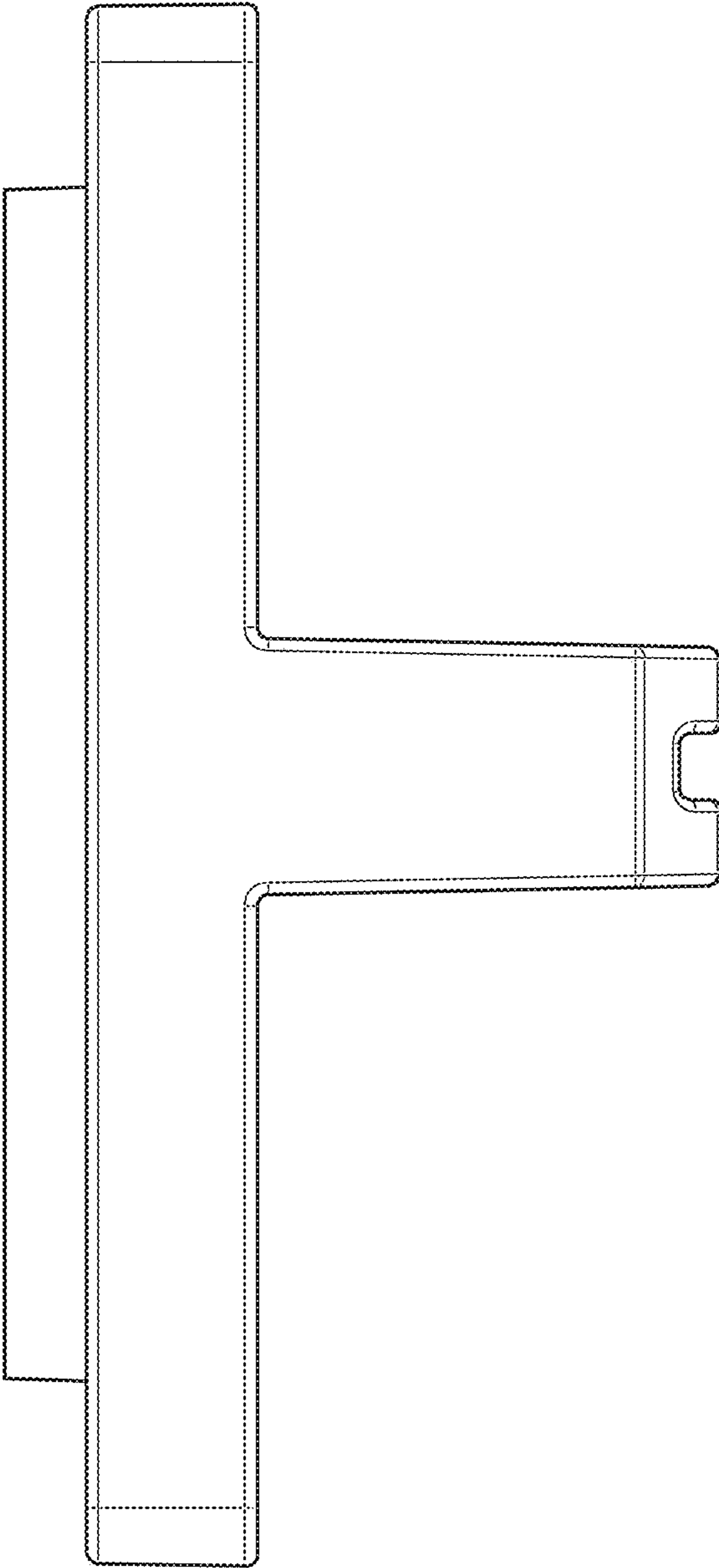


FIG. 4

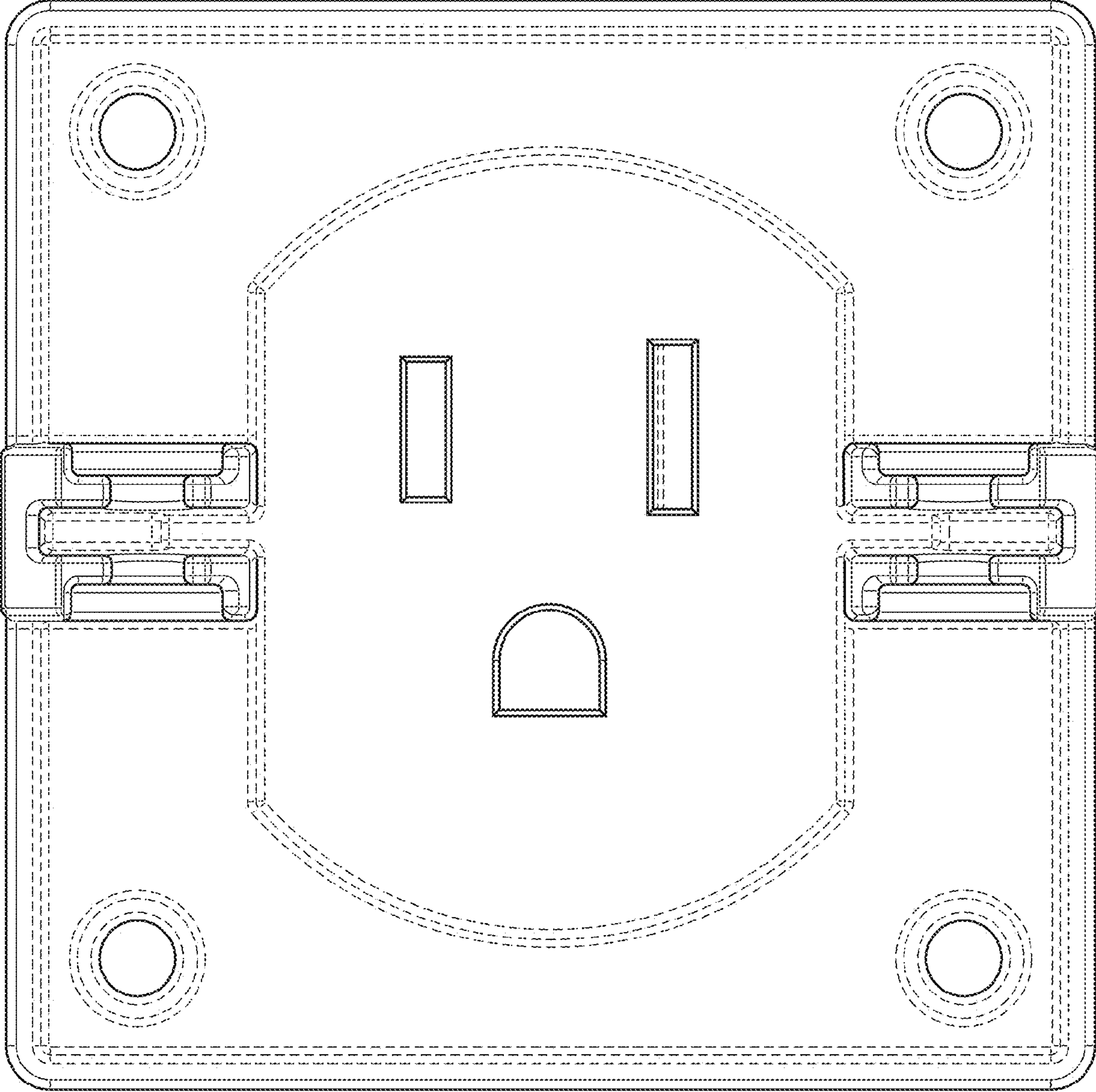


FIG. 5

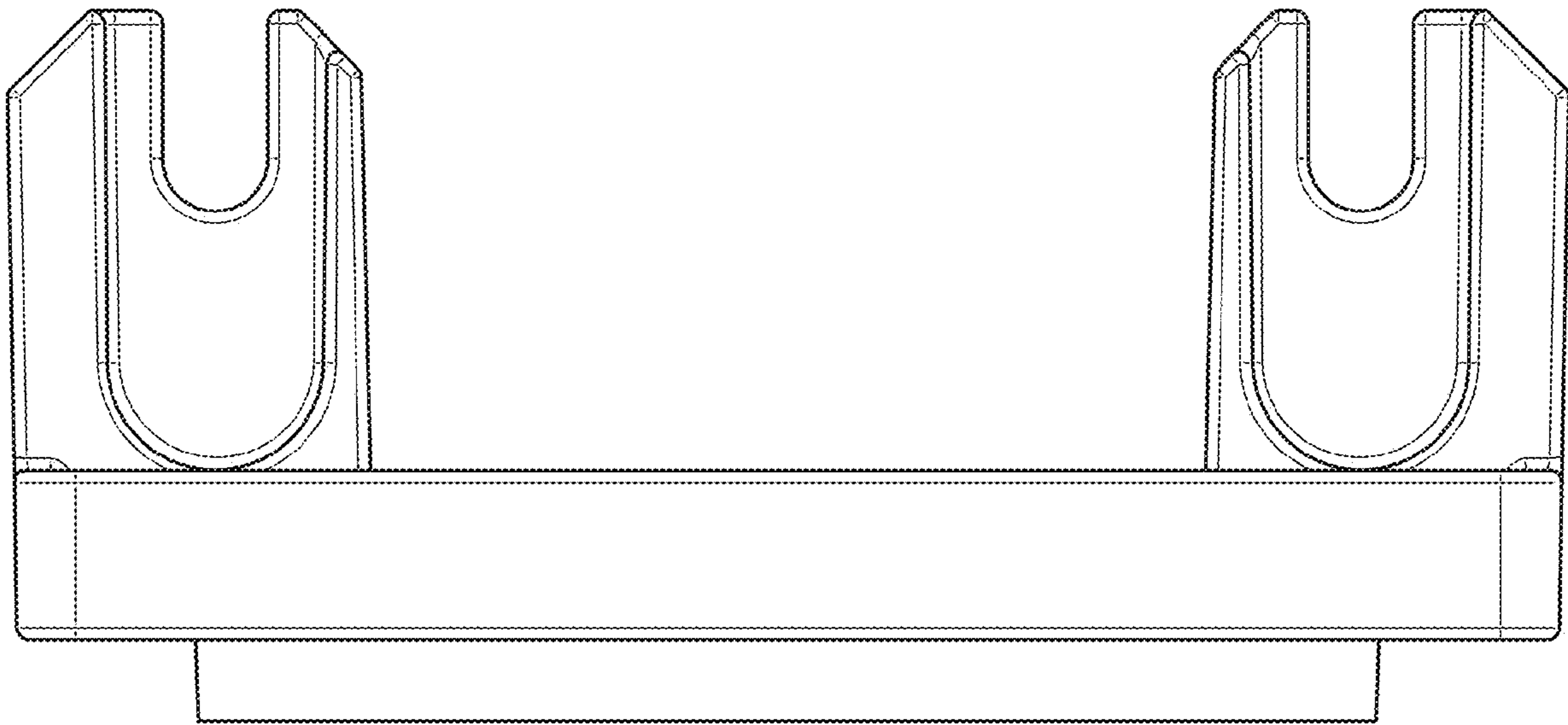


FIG. 6



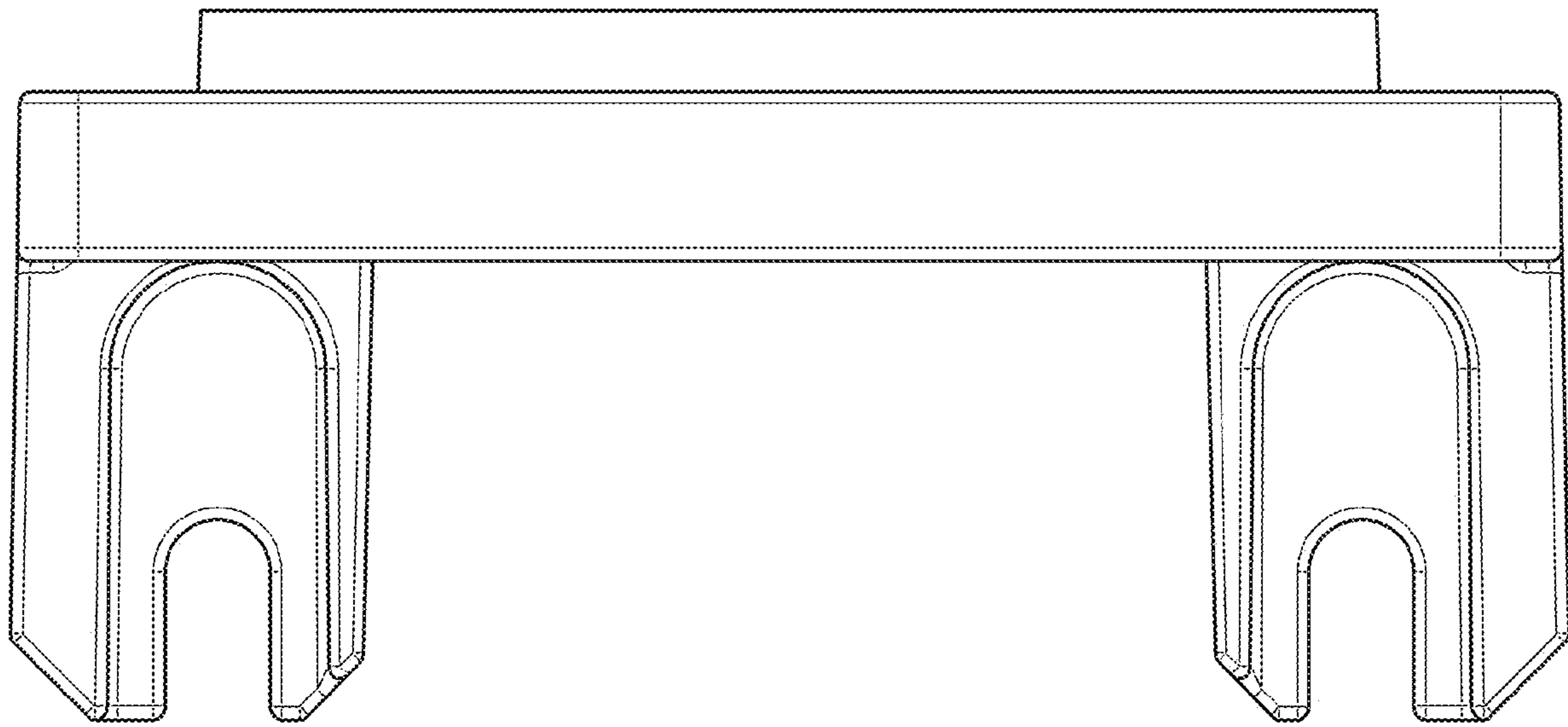


FIG. 7