



US00D912627S

(12) **United States Design Patent**
Stephens

(10) **Patent No.:** **US D912,627 S**
(45) **Date of Patent:** **** Mar. 9, 2021**

(54) **ELECTRICAL OUTLET**

(71) Applicant: **John P Methner**, Bedford, TX (US)

(72) Inventor: **Thomas G Stephens**, Euless, TX (US)

(73) Assignee: **John P. Methner**, Bedford, TX (US)

(**) Term: **15 Years**

(21) Appl. No.: **29/682,964**

(22) Filed: **Mar. 8, 2019**

(51) **LOC (13) Cl.** **13-03**

(52) **U.S. Cl.**
USPC **D13/139.1**

(58) **Field of Classification Search**
USPC D13/107, 108, 110, 133, 137.1, 137.2,
D13/137.3, 137.4, 138.1, 138.2, 139.1,
D13/139.2, 139.3, 139.4, 139.6, 139.7,
D13/139.8, 146, 154, 156, 158, 177, 184,
D13/199; D14/432, 433; D8/353
CPC H01R 13/46; H01R 24/76; H01R 13/44
See application file for complete search history.

(56) **References Cited**

U.S. PATENT DOCUMENTS

- 5,396,062 A * 3/1995 Eisentraut H01R 13/6641
250/229
- 5,955,702 A * 9/1999 Grossman H02G 3/14
174/66
- D430,539 S * 9/2000 Leopold D13/139.3
- 8,294,028 B2 * 10/2012 Huang H02G 3/14
174/66
- D709,831 S * 7/2014 Picard D13/137.1
- D719,512 S * 12/2014 Roy D13/139.6
- D722,562 S * 2/2015 Restrepo D13/139.1
- D732,719 S * 6/2015 Mozdzer D13/139.1
- D746,265 S * 12/2015 Colby D14/217

- D813,818 S * 3/2018 Ni D13/137.2
- D817,281 S * 5/2018 Salas D13/137.2
- D852,145 S * 6/2019 Amano D13/158
- D875,049 S * 2/2020 Stephens D13/139.3

OTHER PUBLICATIONS

“TopGreener USB Outlet”. Found online Apr. 30, 2020 at amazon.com. Reference dated Oct. 23, 2017. Retrieved from https://www.amazon.com/dp/B076PKVPHQ?ref=dacx_dp_3584541310301_9426620620601&aaxitk=NI7RX35mOHEbvsYSrm82oQ. (Year: 2017).*

(Continued)

Primary Examiner — Kendra Leslie Hamilton

Assistant Examiner — Amanda Christensen

(74) *Attorney, Agent, or Firm* — Timothy G. Ackermann

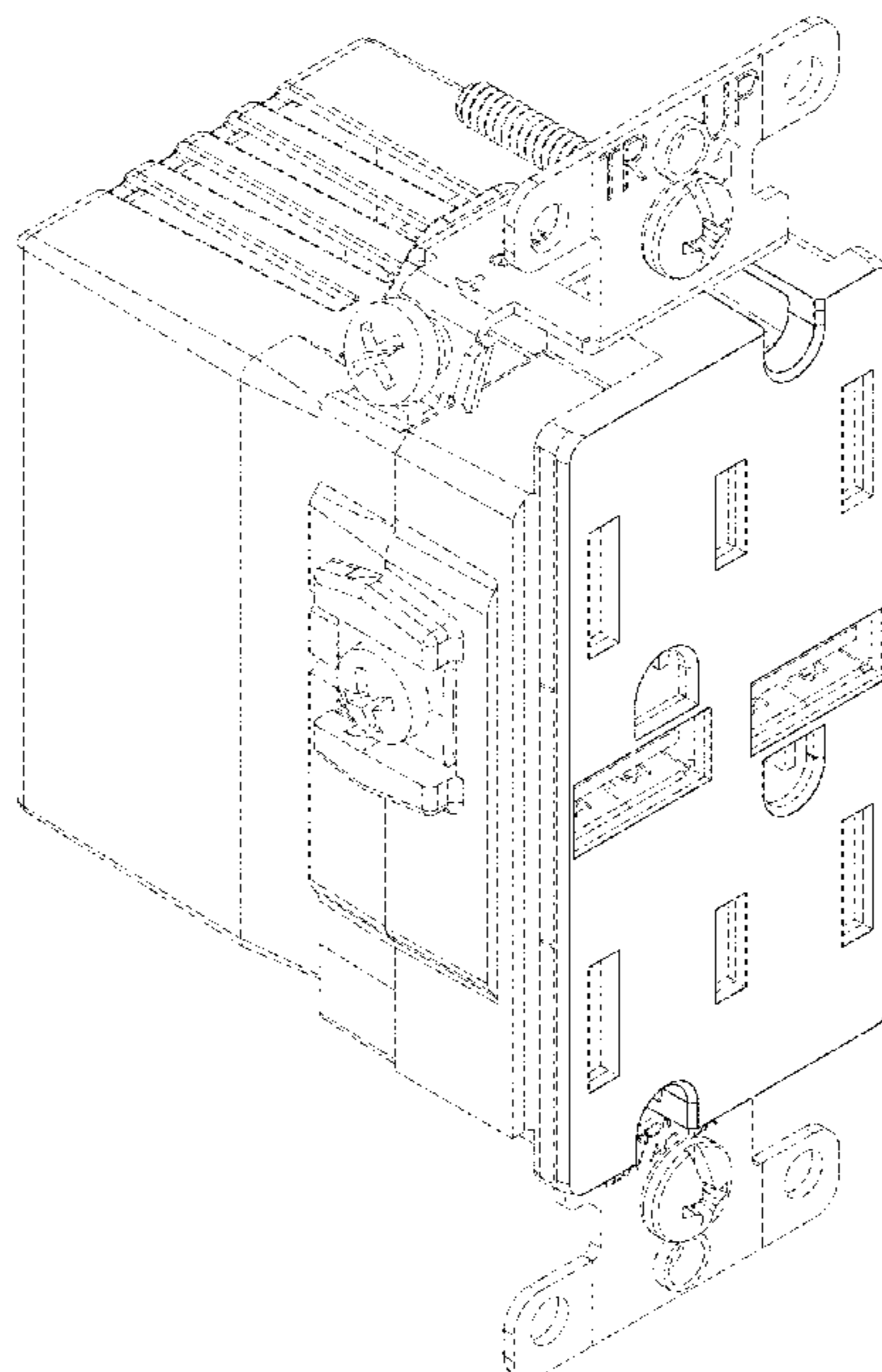
(57) **CLAIM**

The ornamental design for an electrical outlet, as shown and described.

DESCRIPTION

FIG. 1 is a top, front, left side isometric view of an electrical outlet, showing my new design.
 FIG. 2 is a bottom, front, left side isometric view thereof.
 FIG. 3 is a top plan view thereof.
 FIG. 4 is a bottom plan view thereof.
 FIG. 5 is a left side elevation view thereof.
 FIG. 6 is a right side elevation view thereof.
 FIG. 7 is a front elevation view thereof.
 FIG. 8 is a rear elevation view thereof.
 FIG. 9 is a front, left side oblique view thereof; and,
 FIG. 10 is a front, right side oblique view thereof.
 The broken lines depict portions of the electrical outlet that form no part of the claimed design. All text and safety labeling depict unclaimed subject matter and form no part of the claimed design.

1 Claim, 9 Drawing Sheets



(56)

References Cited

OTHER PUBLICATIONS

“Three Outlet Power Panel”. Found online Jun. 30, 2020 at gadgets.boingboing.net. Reference dated Aug. 29, 2008. Retrieved from <https://gadgets.boingboing.net/2008/08/29/three-outlet-power-p.html>. (Year: 2008).*

“Maxxima Dual USB Charger Wall Outlet”. Found online Jun. 29, 2020 at overstock.com. Reference dated Apr. 6, 2018. Retrieved from <https://www.overstock.com/Home-Garden/Maxxima-Dual-USB-3.1A-Charger-Wall-Outlet-with-15-Amp-Duplex-Receptacle-Horizontal-Ports-White/16079027/product.html>. (Year: 2018).*

“TOPGREENER USB Charger Outlet”. Found online Jun. 15, 2020 at amazon.com. Reference dated Jan. 31, 2018. Retrieved from https://www.amazon.com/dp/B079H4GGP7/ref=sspa_dk_detail_3. (Year: 2018).*

* cited by examiner

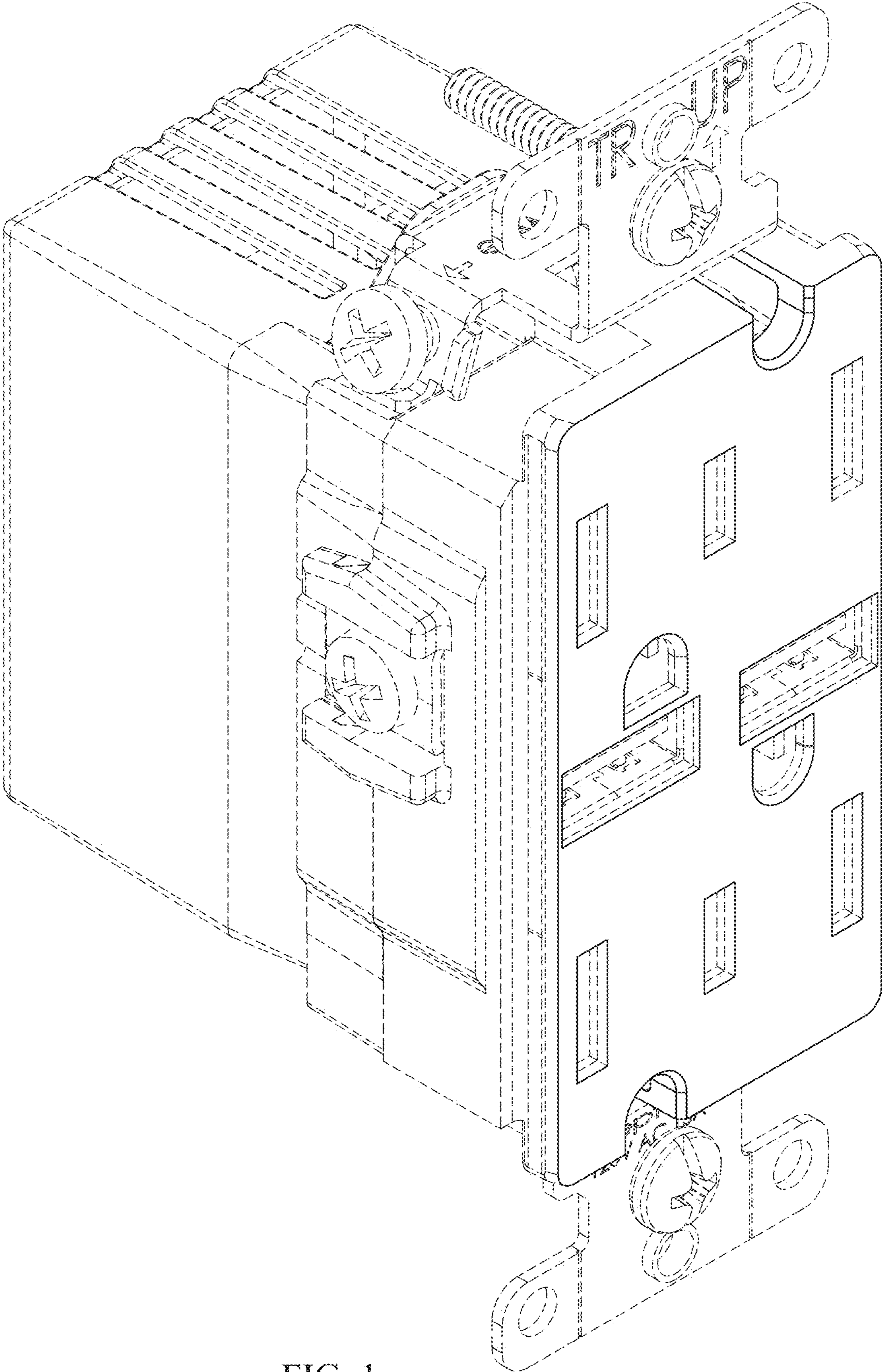


FIG. 1

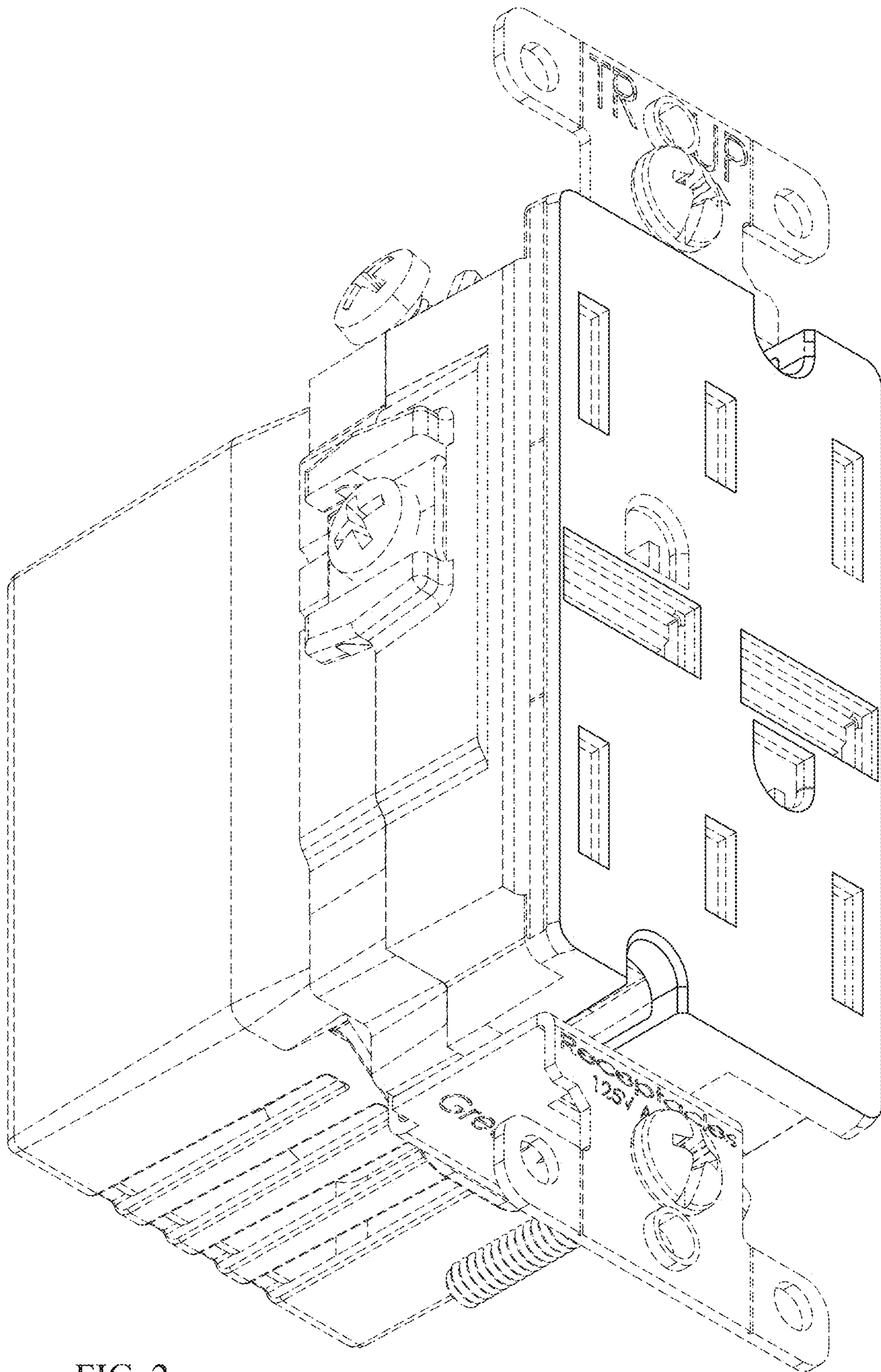


FIG. 2

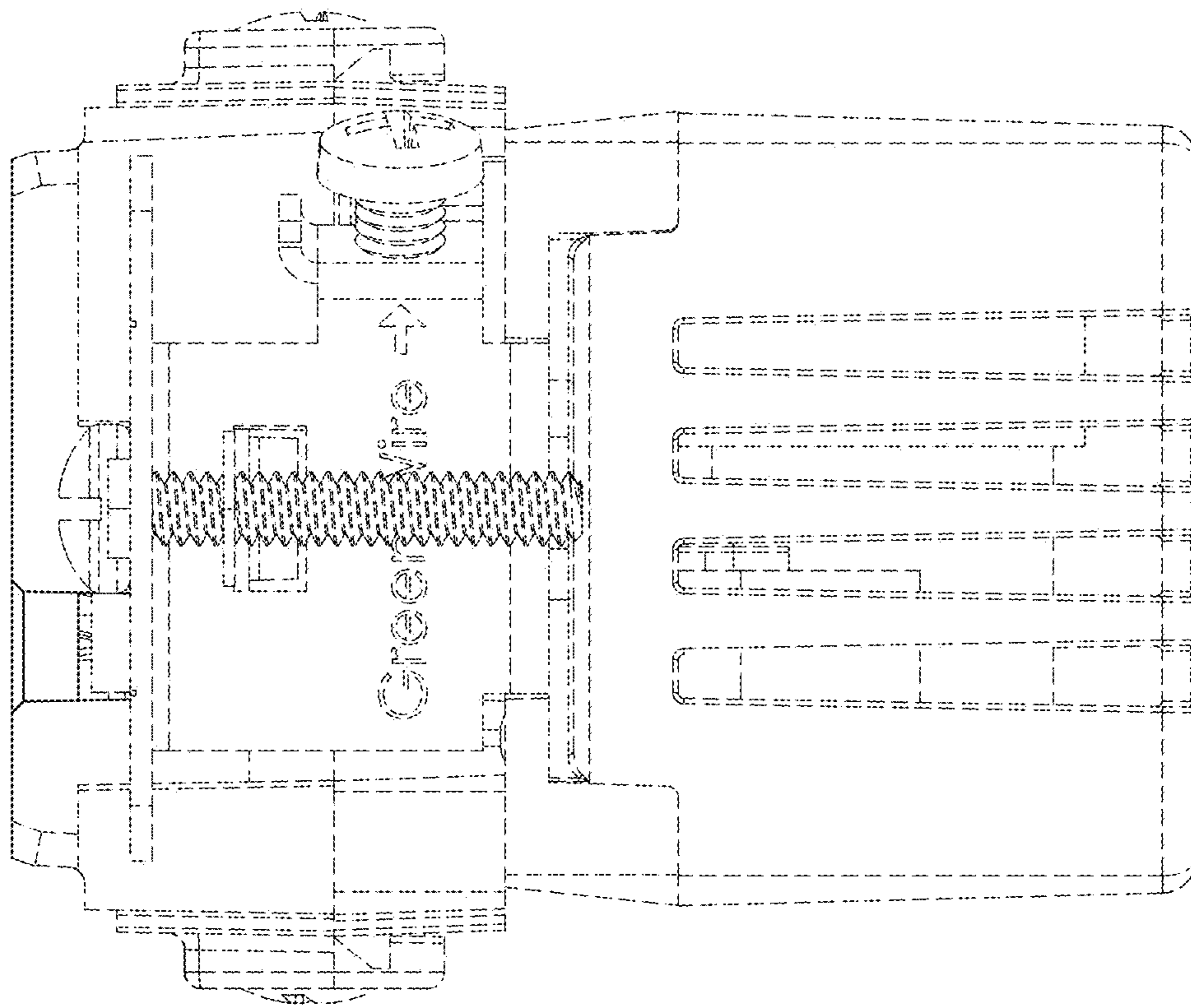


FIG. 4

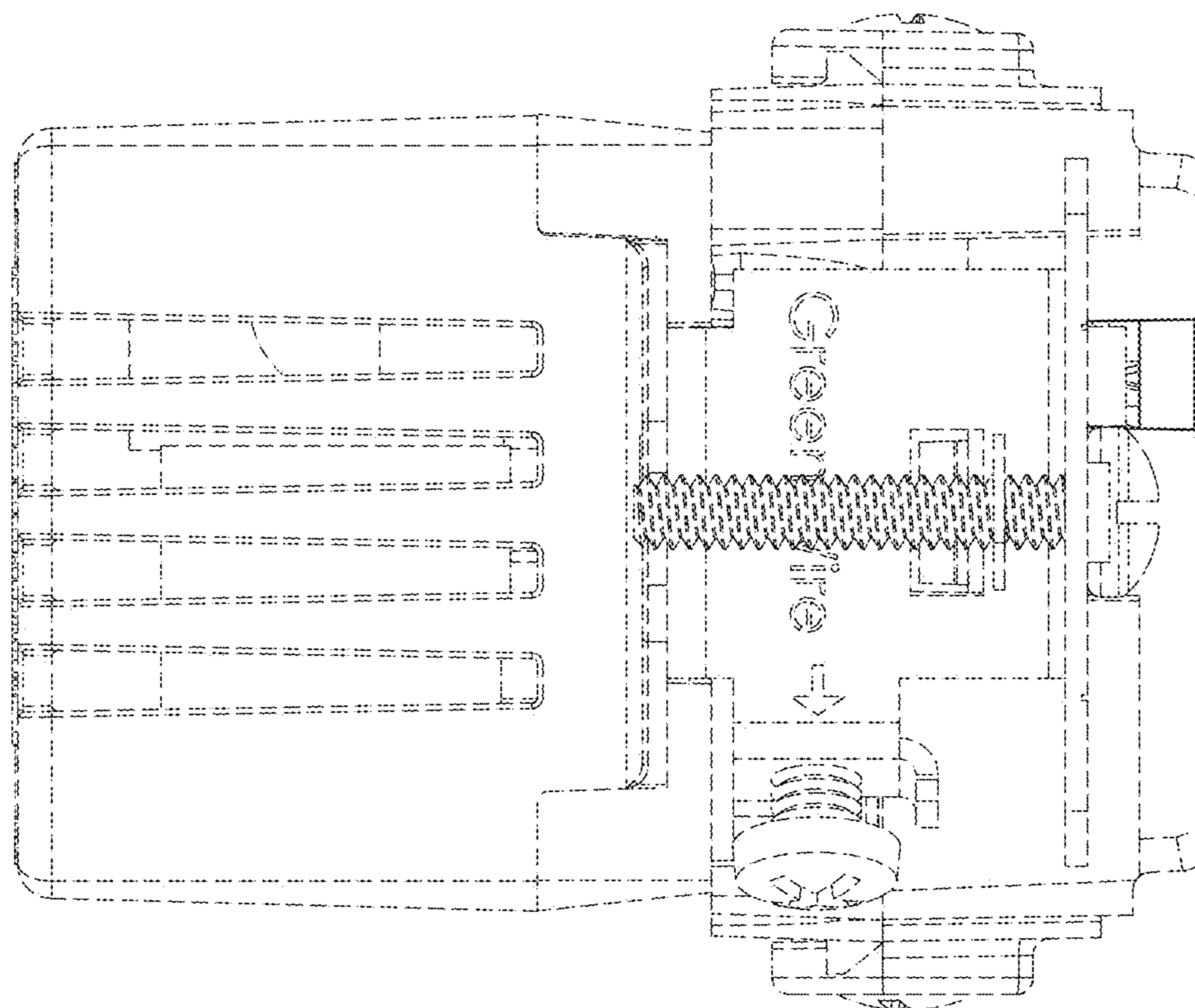


FIG. 3

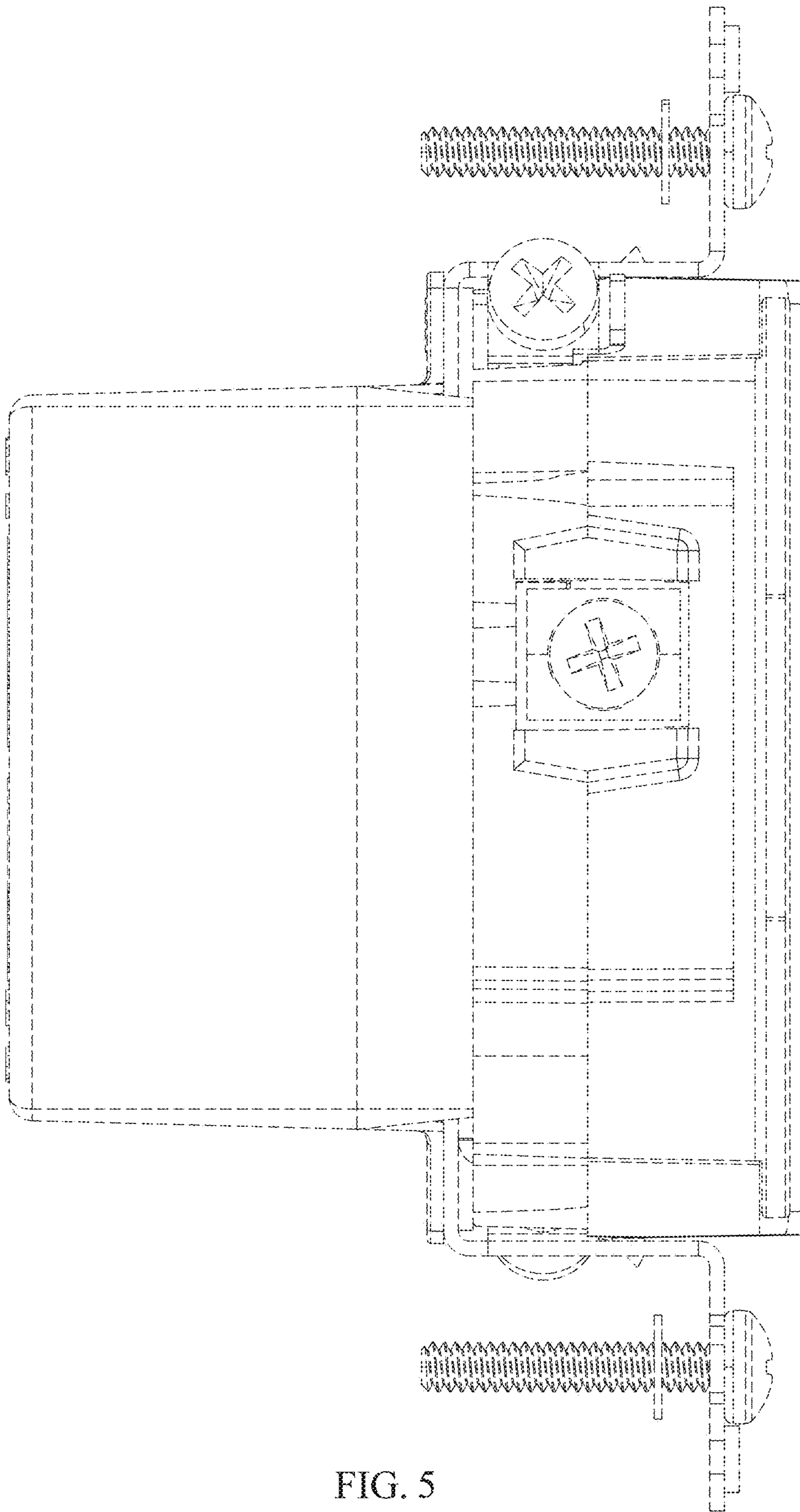


FIG. 5

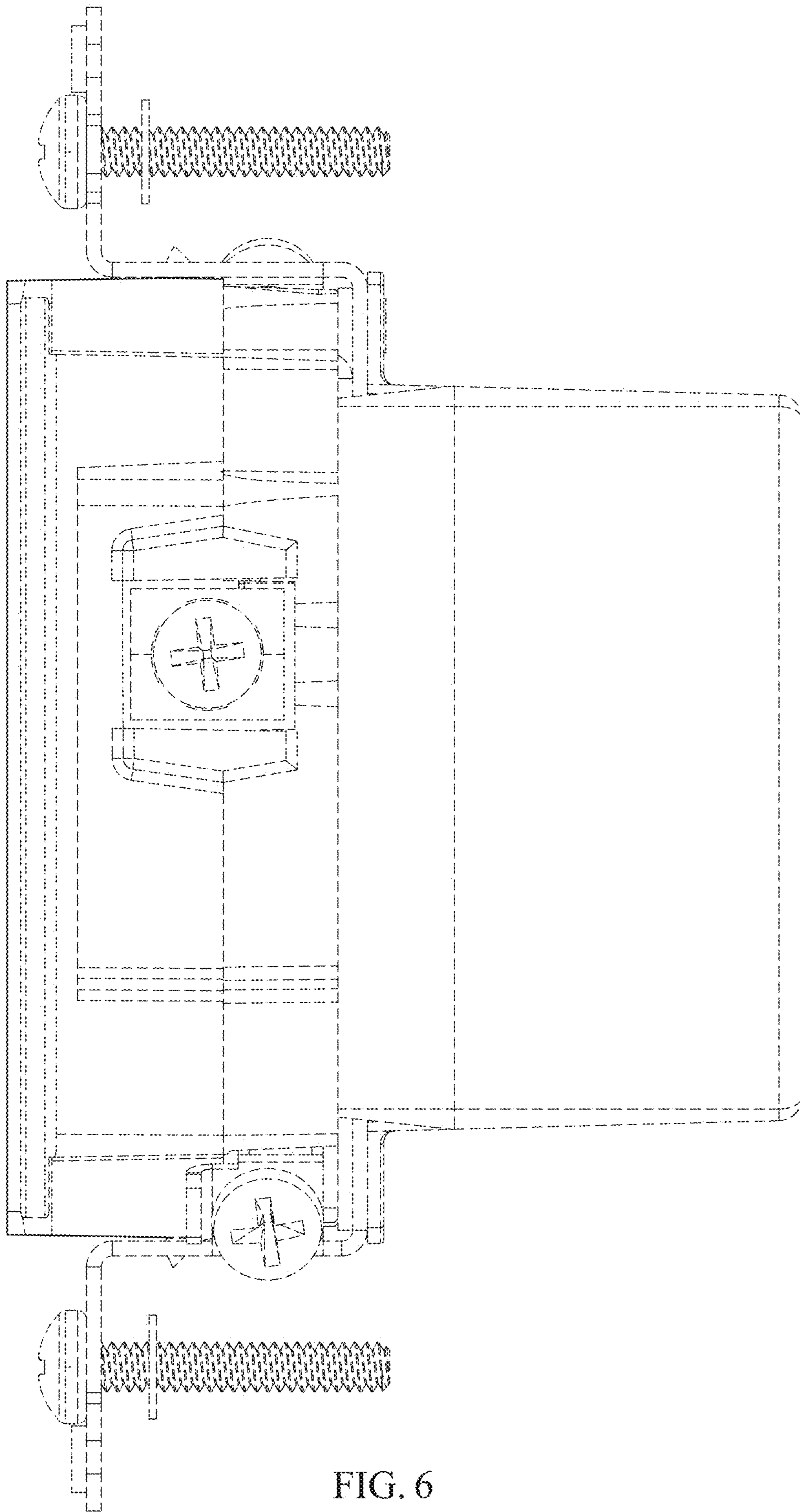


FIG. 6

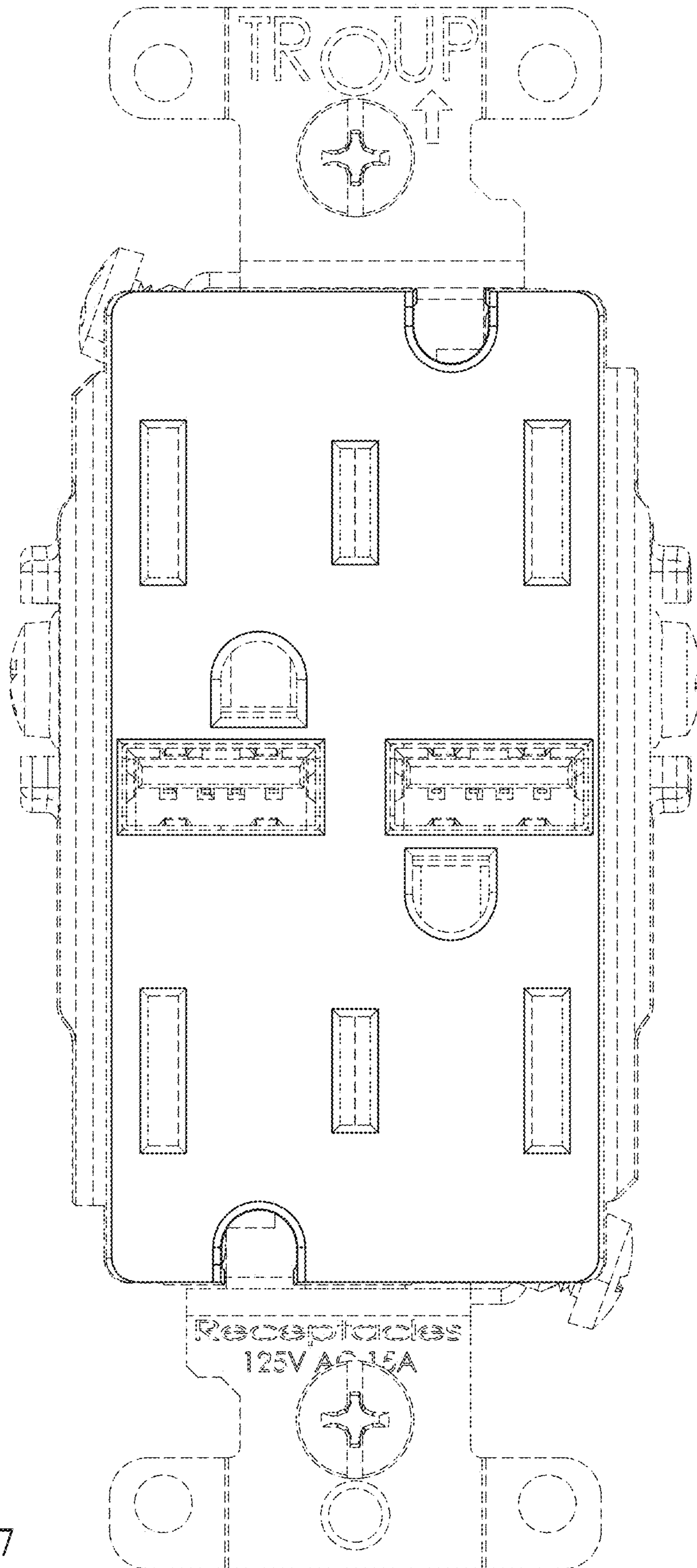


FIG. 7

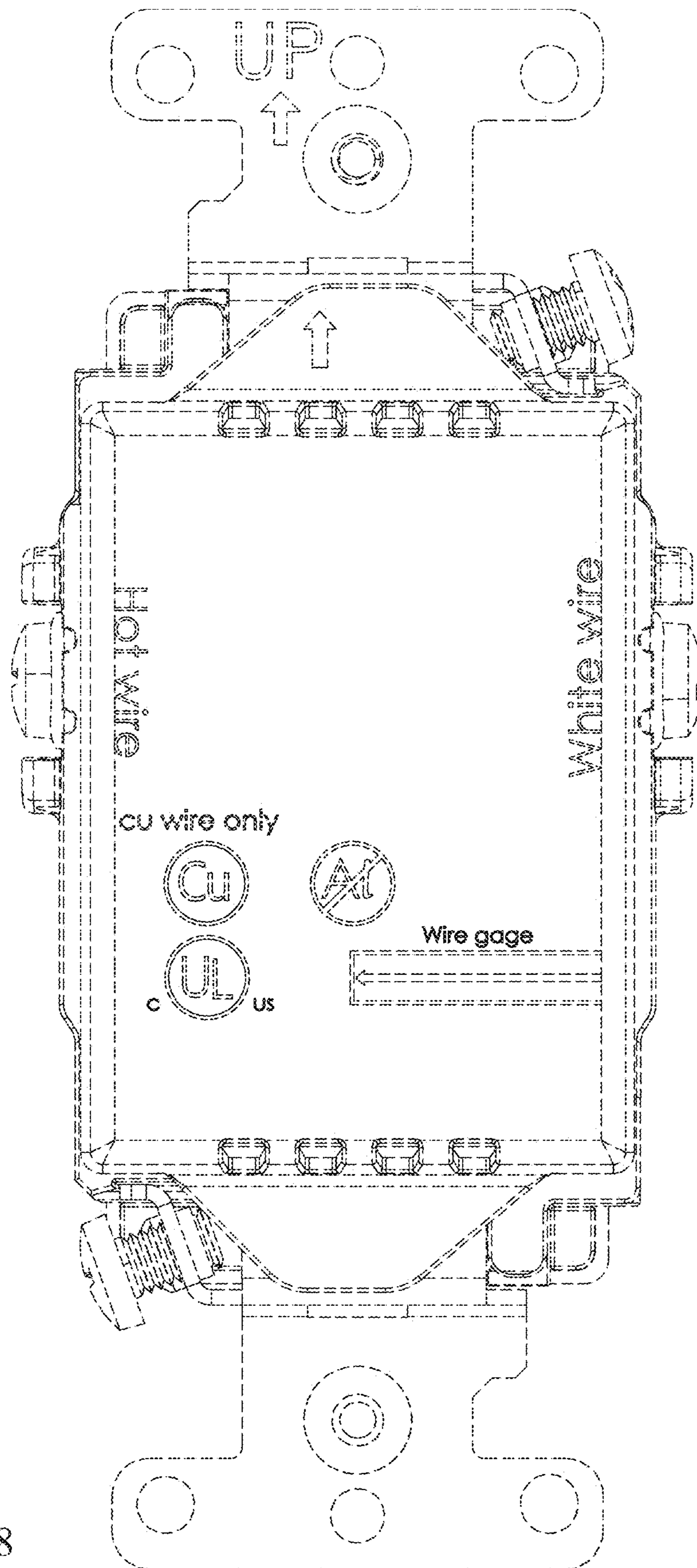


FIG. 8

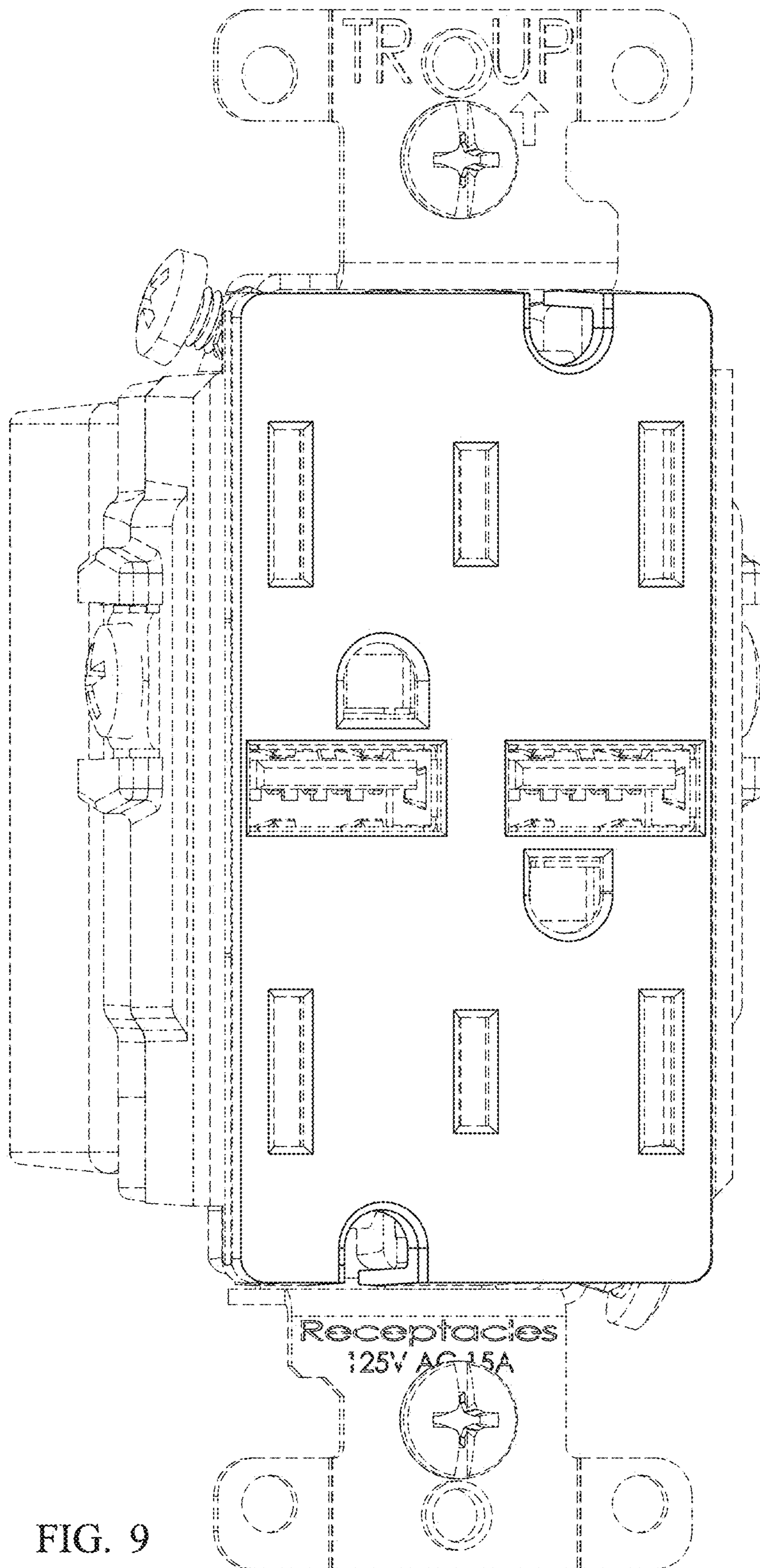


FIG. 9

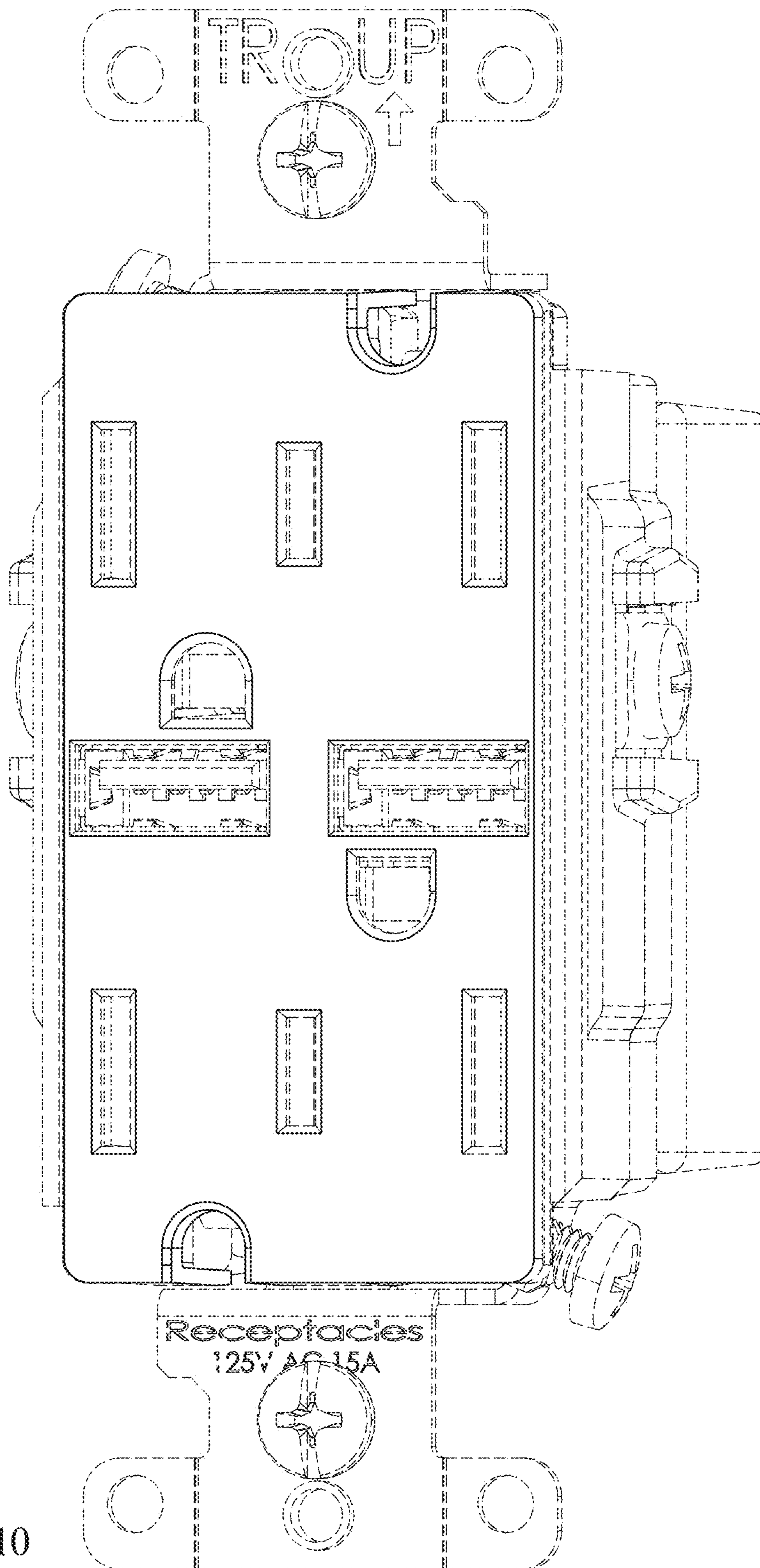


FIG. 10