



US00D912626S

(12) **United States Design Patent**
Song et al.

(10) **Patent No.:** **US D912,626 S**
(45) **Date of Patent:** **** Mar. 9, 2021**

(54) **MAGNETIC CORE**

(71) Applicant: **Delta Electronics (Shanghai) CO., LTD**, Shanghai (CN)

(72) Inventors: **Haibin Song**, Shanghai (CN); **Qi Fu**, Shanghai (CN); **Daofei Xu**, Shanghai (CN); **Jinfa Zhang**, Shanghai (CN)

(73) Assignee: **Delta Electronics (Shanghai) CO., LTD**, Shanghai (CN)

(**) Term: **15 Years**

(21) Appl. No.: **29/697,318**

(22) Filed: **Jul. 8, 2019**

(30) **Foreign Application Priority Data**

Jan. 15, 2019 (CN) 201930021079.X

(51) **LOC (13) Cl.** **13-02**

(52) **U.S. Cl.**
USPC **D13/118**

(58) **Field of Classification Search**
USPC D13/101, 110, 117, 118, 119, 120, 121,
D13/122, 129, 133, 153, 179, 182, 183,
D13/199

(Continued)

(56) **References Cited**

U.S. PATENT DOCUMENTS

D330,541 S * 10/1992 Burrow D13/183
D463,365 S * 9/2002 Sakai D13/118

(Continued)

FOREIGN PATENT DOCUMENTS

CN 85103560 A 10/1985
CN 2572525 Y 9/2003

(Continued)

OTHER PUBLICATIONS

“Soft Ferrite Core”. Found online Oct. 23, 2020 at indiamart.com.
Reference dated Mar. 10, 2010. Retrieved from <https://tineye.com/>

search/ae7d4b173442a81717306d8a464aa7fcd848843c?sort=crawl_date&order=asc&page=1. (Year: 2010).*

(Continued)

Primary Examiner — Kendra Leslie Hamilton

Assistant Examiner — Amanda Christensen

(74) *Attorney, Agent, or Firm* — Qinghong Xu

(57) **CLAIM**

The ornamental design for a magnetic core, as shown and described.

DESCRIPTION

FIG. 1 is a front elevation view of a magnetic core, showing our new design;

FIG. 2 is a back elevation view thereof;

FIG. 3 is a left side elevation view thereof;

FIG. 4 is a right side elevation view thereof;

FIG. 5 is a top plan view thereof;

FIG. 6 is a bottom plan view thereof; and

FIG. 7 is a top, back, left side perspective view thereof.

FIG. 8 is a front view of embodiment 2 of the new design;

FIG. 9 is a back view of embodiment 2 of the new design;

FIG. 10 is a left view of embodiment 2 of the new design;

FIG. 11 is a right view of embodiment 2 of the new design;

FIG. 12 is a top view of embodiment 2 of the new design;

FIG. 13 is a bottom view of embodiment 2 of the new design;

FIG. 14 is a perspective view of embodiment 2 of the new design;

FIG. 15 is a front view of embodiment 3 of the new design;

FIG. 16 is a back view of embodiment 3 of the new design;

FIG. 17 is a left view of embodiment 3 of the new design;

FIG. 18 is a right view of embodiment 3 of the new design;

FIG. 19 is a top view of embodiment 3 of the new design;

FIG. 20 is a bottom view of embodiment 3 of the new design;

FIG. 21 is a perspective view of embodiment 3 of the new design;

FIG. 22 is a front view of embodiment 4 of the new design;

FIG. 23 is a back view of embodiment 4 of the new design;

FIG. 24 is a left view of embodiment 4 of the new design;

FIG. 25 is a right view of embodiment 4 of the new design;

(Continued)

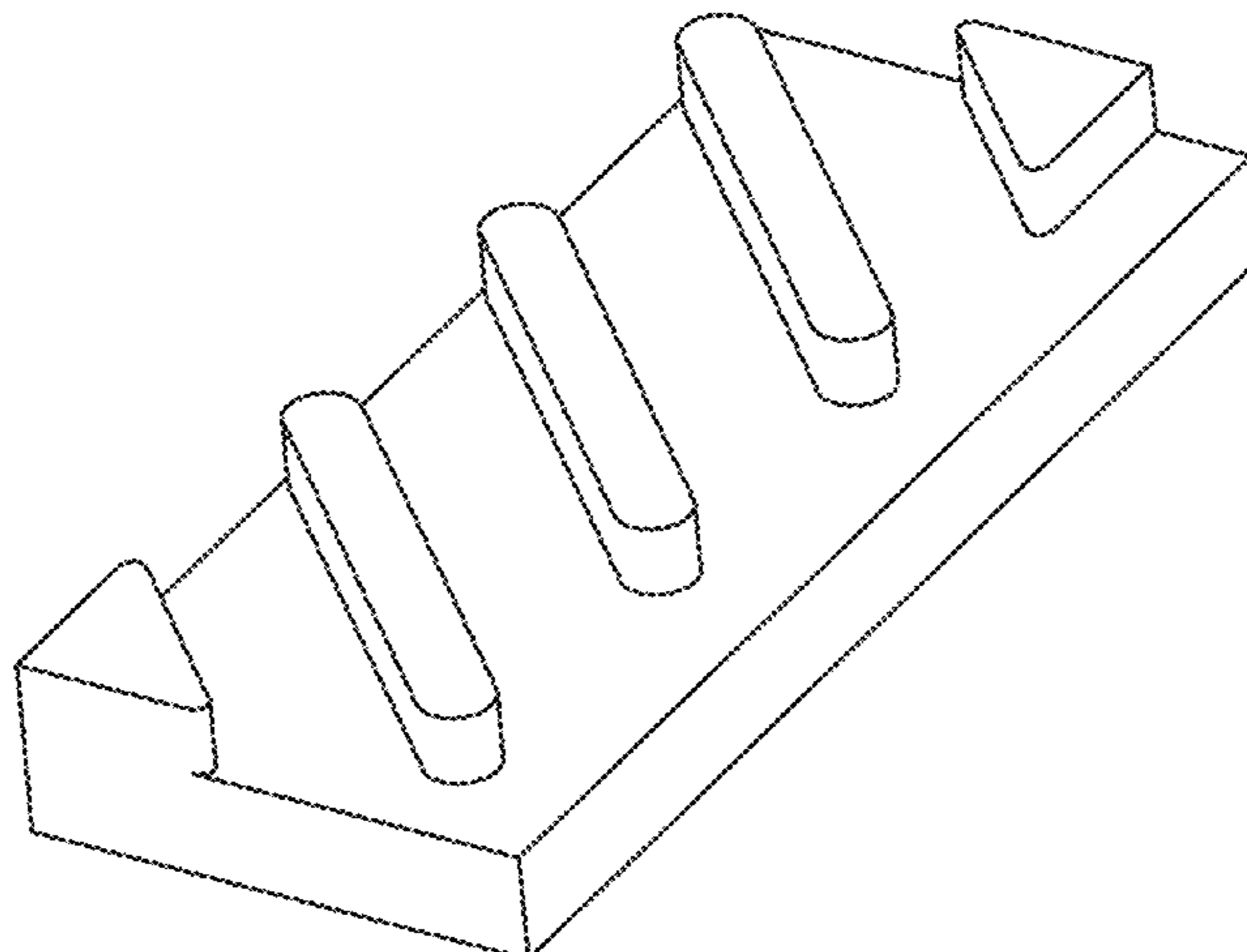


FIG. 26 is a top view of embodiment 4 of the new design; FIG. 27 is a bottom view of embodiment 4 of the new design; and, FIG. 28 is a perspective view of embodiment 4 of the new design.

1 Claim, 28 Drawing Sheets

(58) Field of Classification Search

CPC H01F 27/00; H01F 27/2866; H01F 41/06
See application file for complete search history.

(56) References Cited

U.S. PATENT DOCUMENTS

D539,220	S *	3/2007	Iwakura	D13/117
7,311,140	B2 *	12/2007	McCullough	H01L 21/4871 165/185
D616,380	S *	5/2010	Chang	D13/179
7,839,255	B2 *	11/2010	Nagano	H01F 3/10 336/221
D645,829	S *	9/2011	Yu	D13/179
D657,311	S *	4/2012	Chan	D13/118
D682,208	S *	5/2013	Kobayashi	D13/118
2003/0106670	A1 *	6/2003	Lee	F28F 7/00 165/80.3
2007/0273465	A1 *	11/2007	Feng	H01F 27/2866 336/212
2016/0276087	A1 *	9/2016	Yan	H01F 27/292
2020/0251272	A1 *	8/2020	Song	H01F 3/14

FOREIGN PATENT DOCUMENTS

CN	201430055	Y	3/2010
CN	202905387	U	4/2013
CN	204668095	U	9/2015
CN	106057433	A	10/2016
CN	106971829	A	7/2017
CN	207116197	U	3/2018
CN	108777220	A	11/2018
JP	H0878254	A	3/1996
JP	2001023830	A	1/2001
JP	2007311397	A	11/2007

OTHER PUBLICATIONS

“Ferrite Core High Frequency Transformer”. Found online Oct. 29, 2020 at alibaba.com. Reference dated Jul. 3, 2018. Retrieved from https://tineye.com/search/23c23b1362d21e7b6c4ab29e22042daaef269245?sort=crawl_date&order=asc&page=1. (Year: 2018).*

“LoveRPi Performance Heatsink”. Found online Oct. 30, 2020 at amazon.com. Reference dated Nov. 21, 2015. Retrieved from https://www.amazon.com/LoveRPi-Performance-Heatsink-Set-Raspberry/dp/B018BGRDVS/ref=psdc_2998409011_t2_B07W1HHTXD. (Year: 2015).*

The CN10A dated Nov. 18, 2020 by the CNIPA from application No. 201910037335.3.

The CN10A dated Nov. 24, 2020 by the CNIPA from application No. 201910037342.3.

* cited by examiner

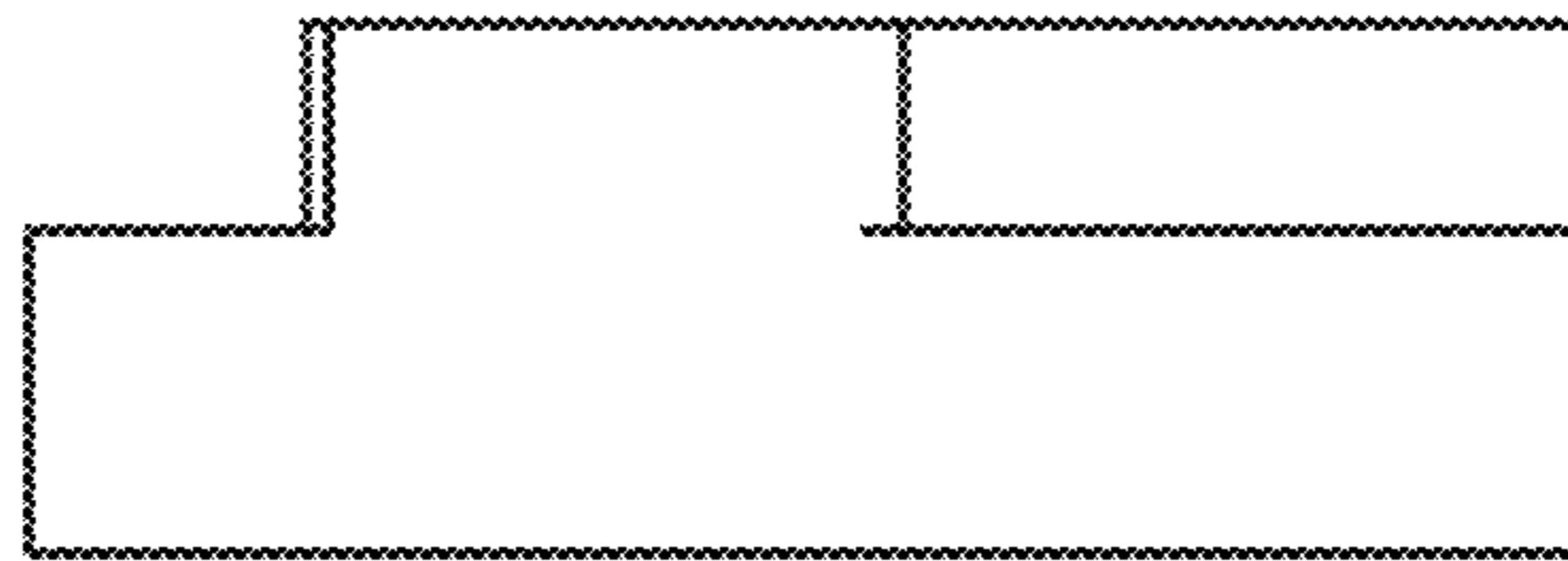


FIG. 1

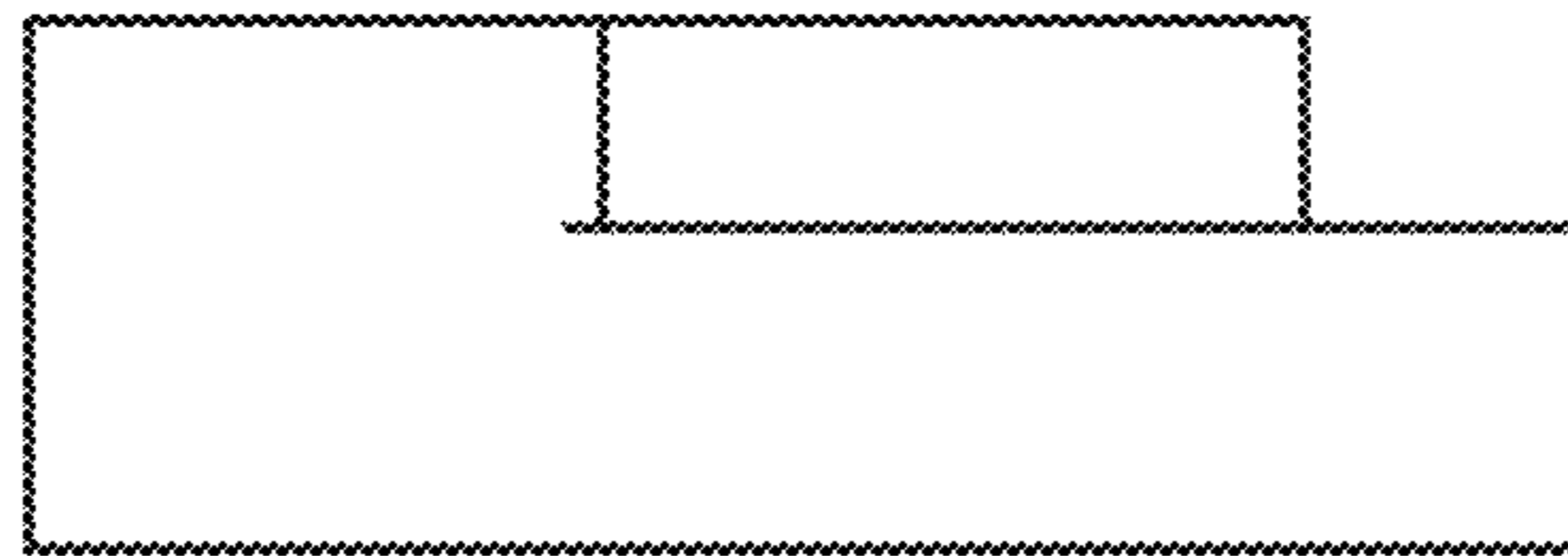


FIG.2

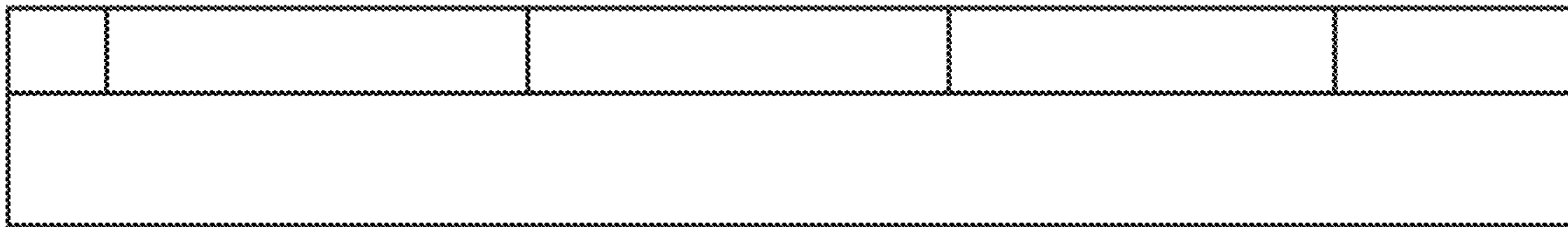


FIG.3

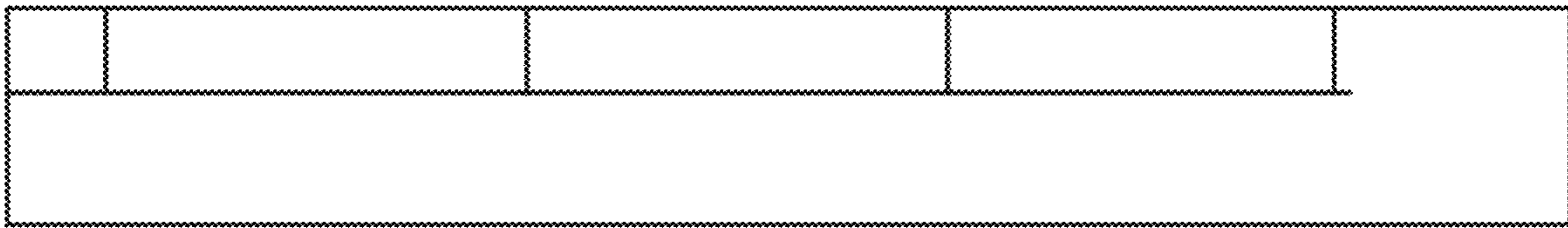


FIG.4

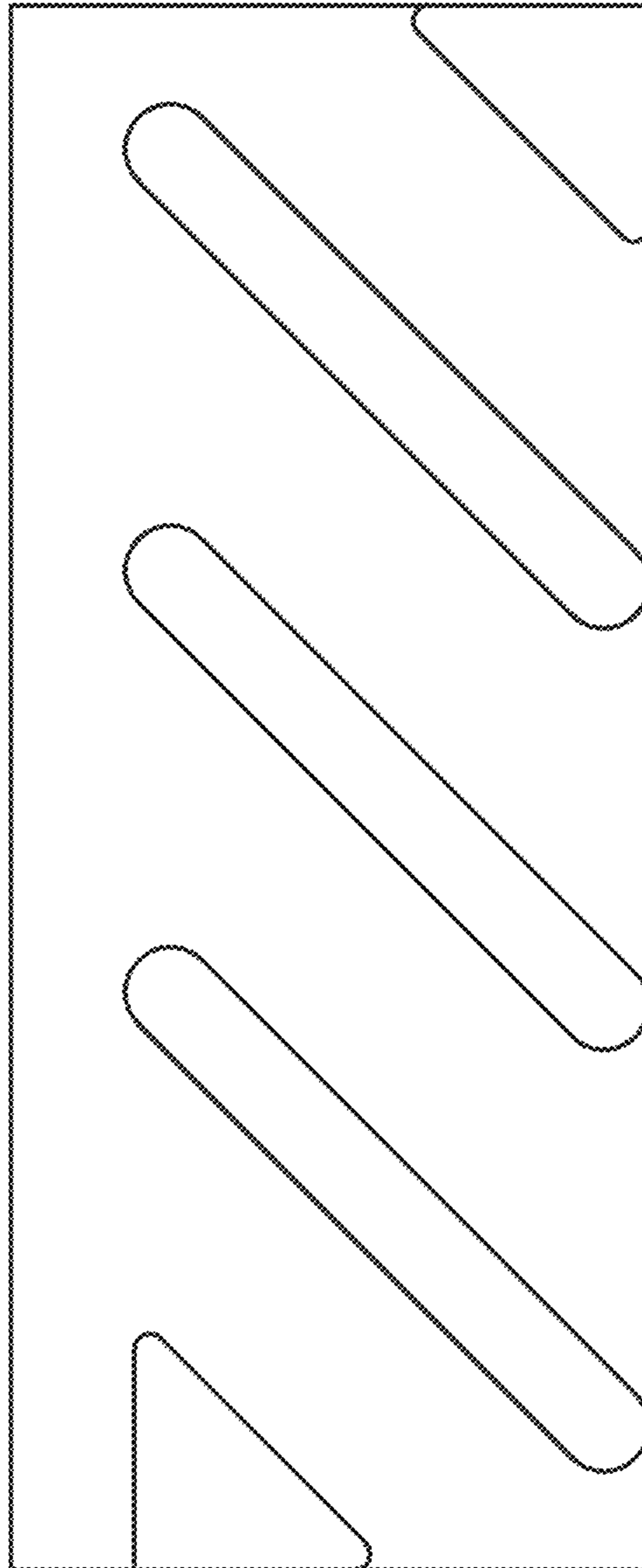


FIG.5



FIG.6

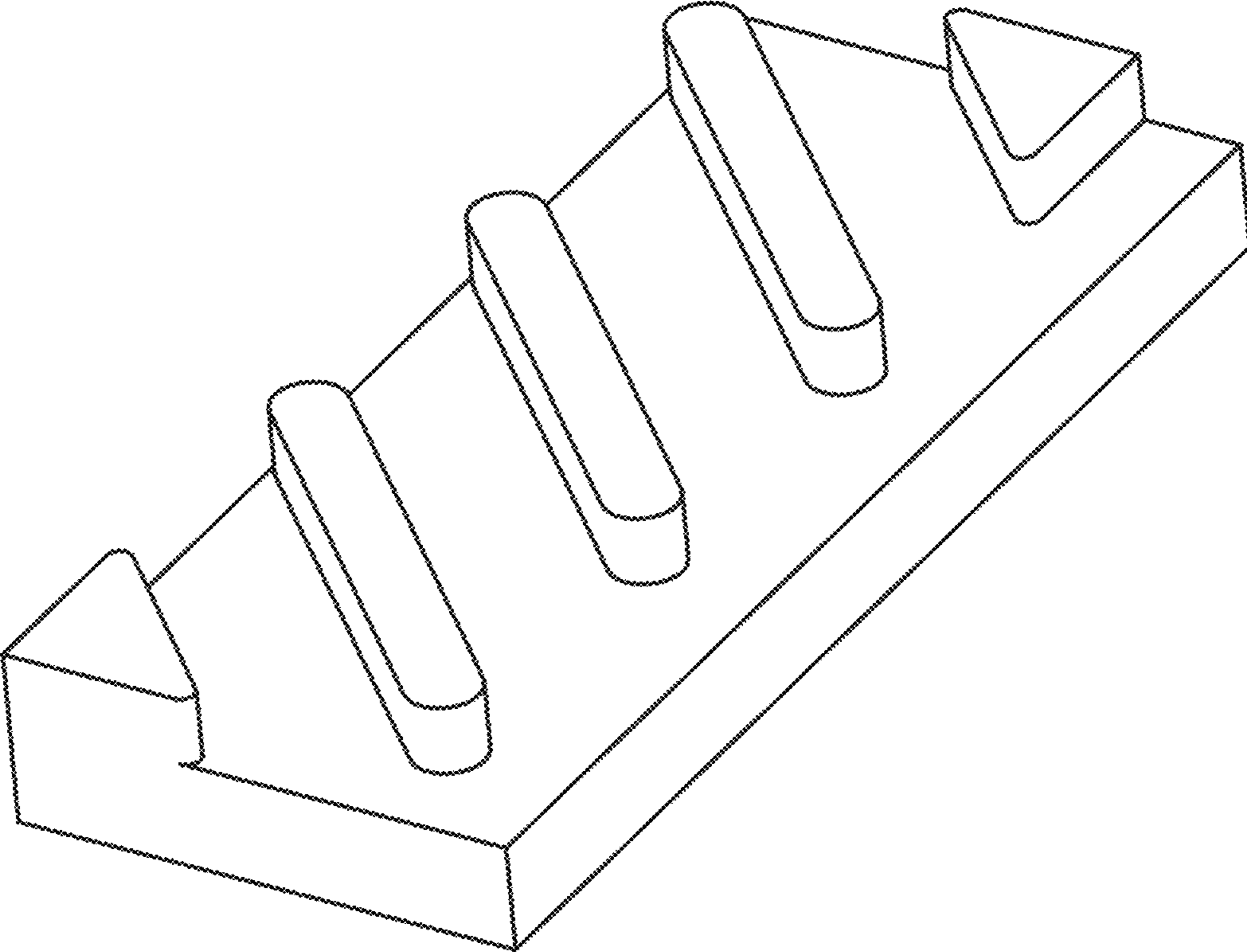


FIG.7

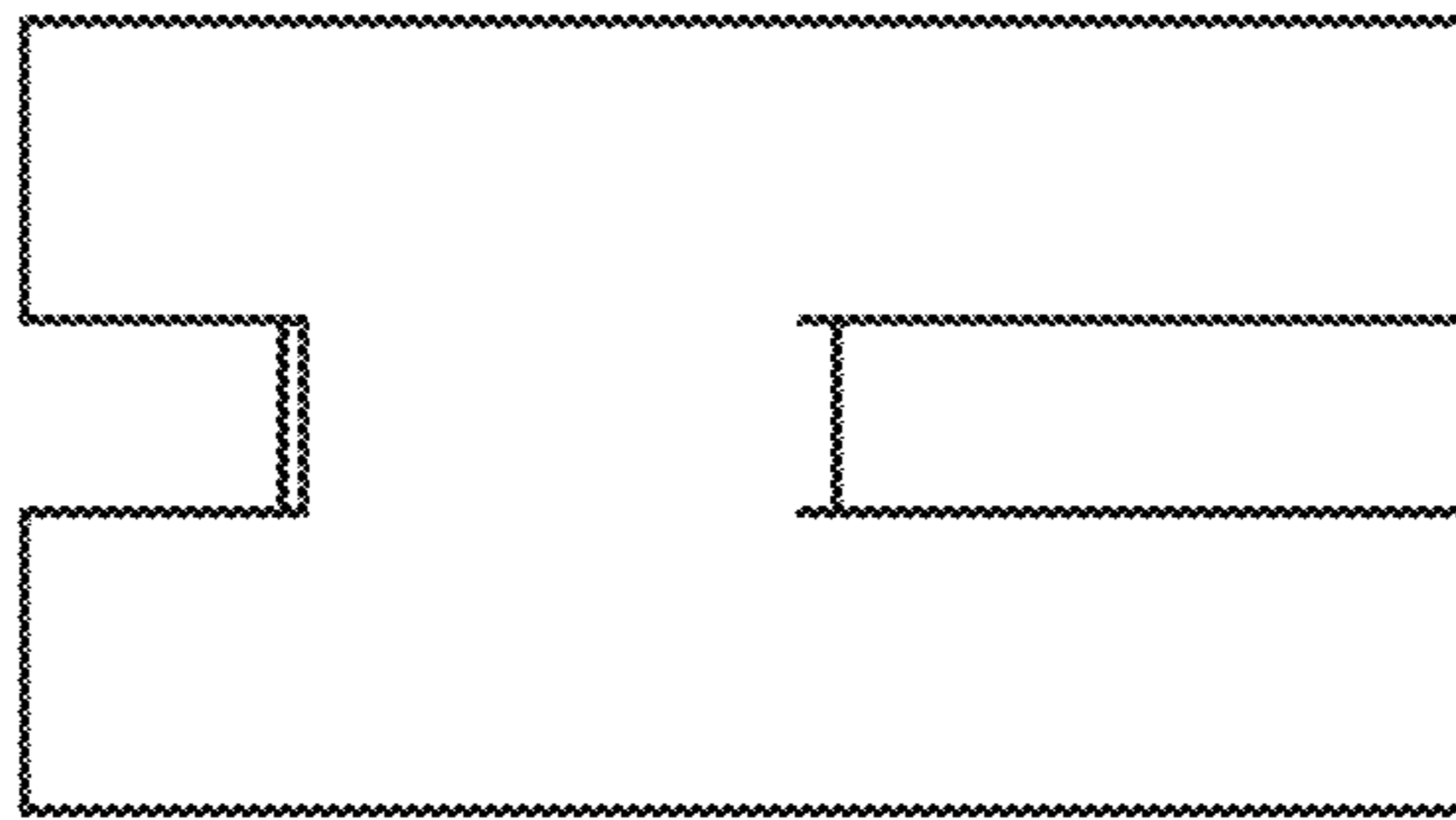


FIG. 8

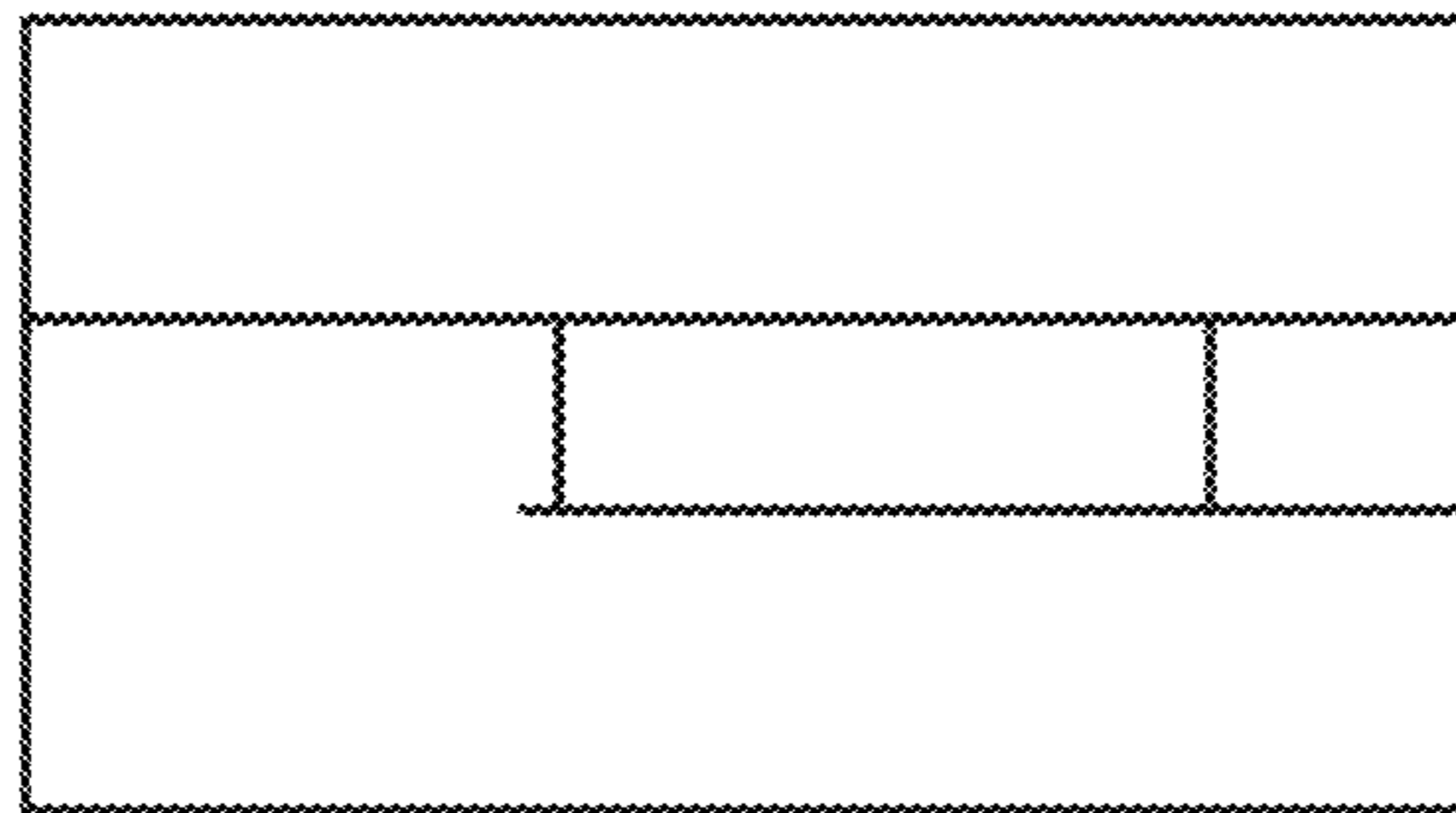


FIG.9

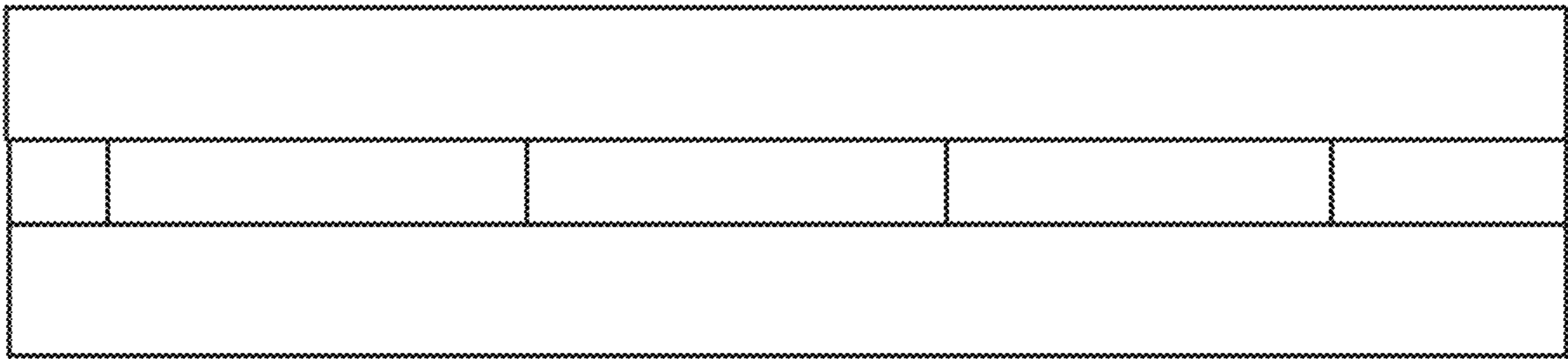


FIG.10

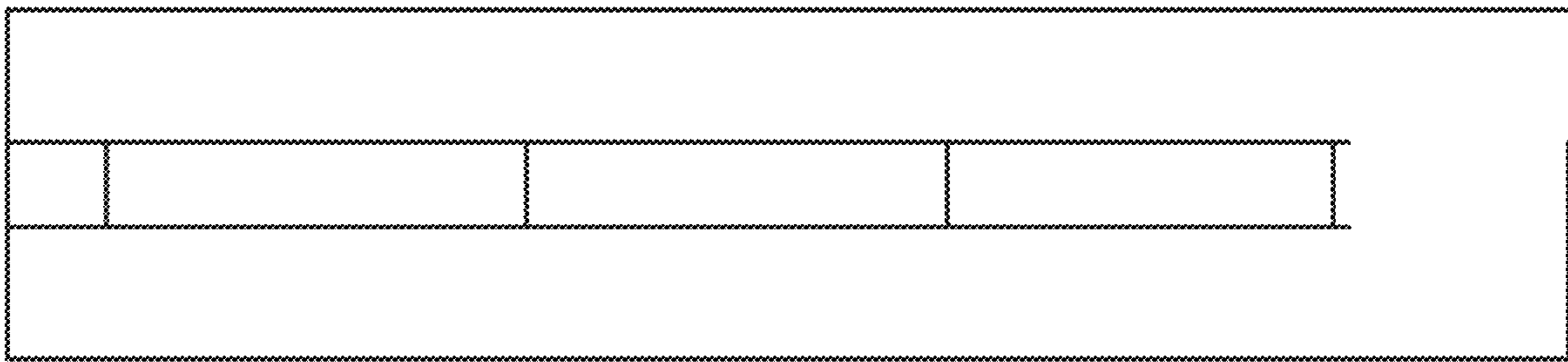


FIG. 11



FIG.12

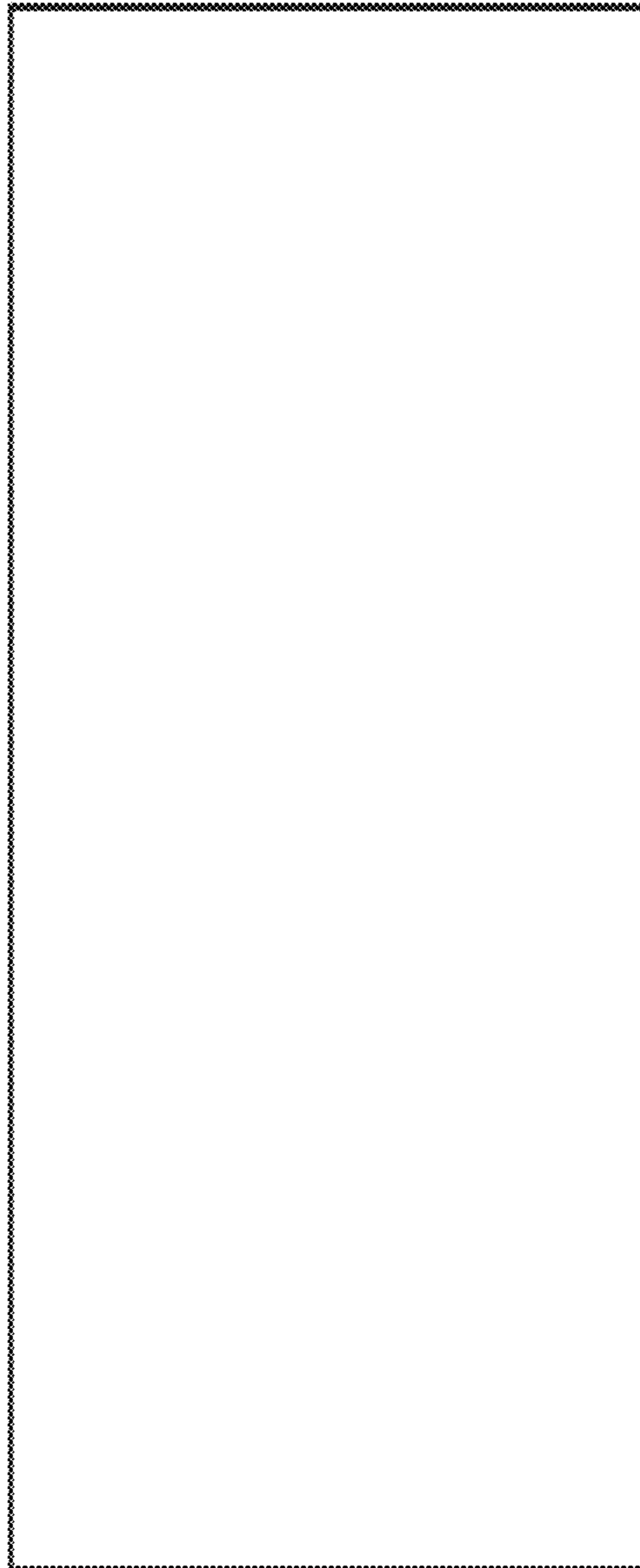


FIG.13

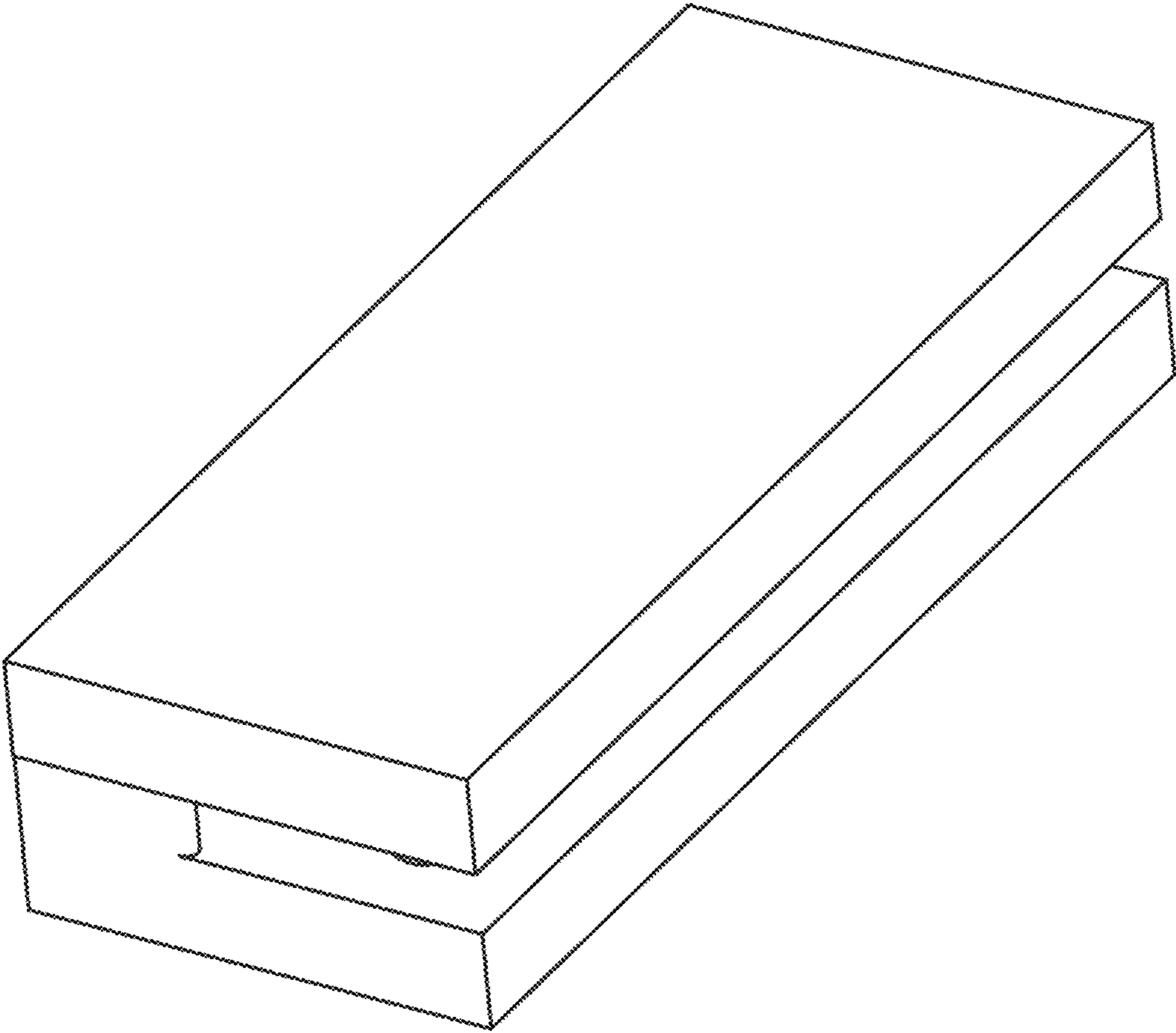


FIG. 14

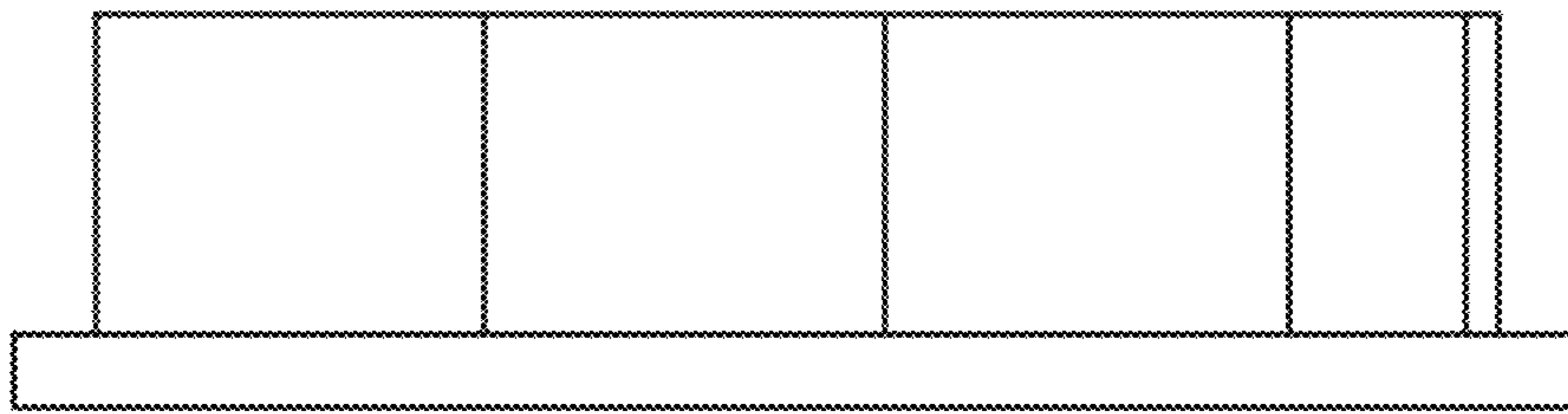


FIG. 15

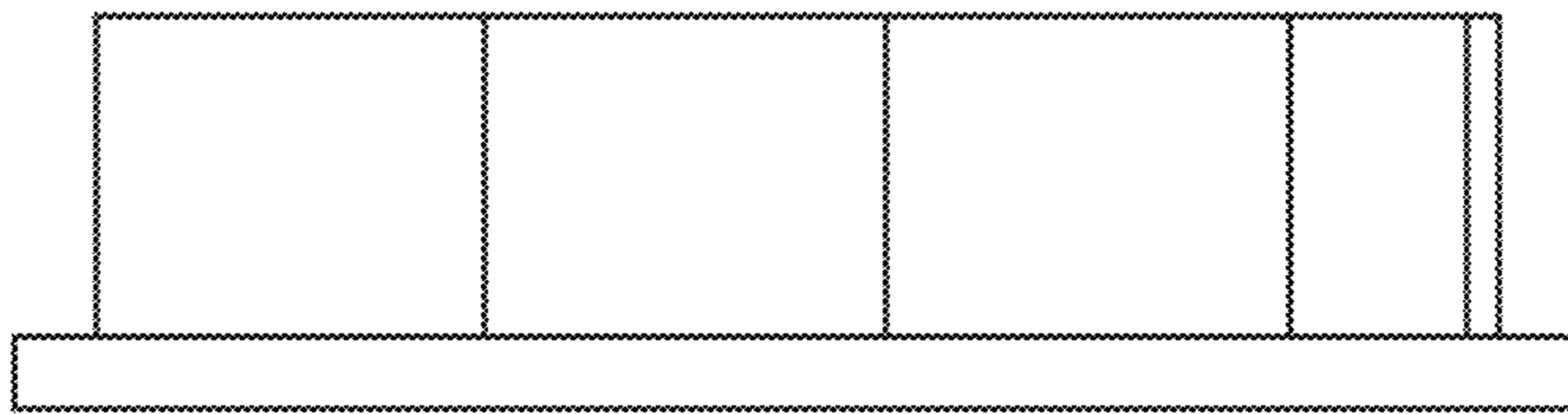


FIG.16

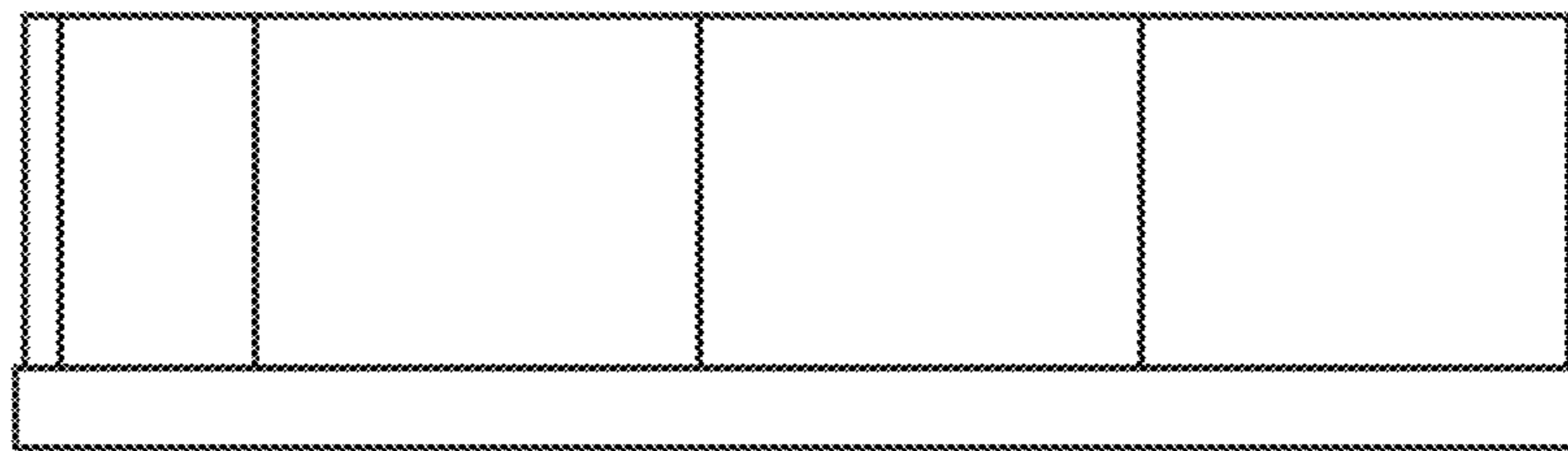


FIG.17



FIG.18

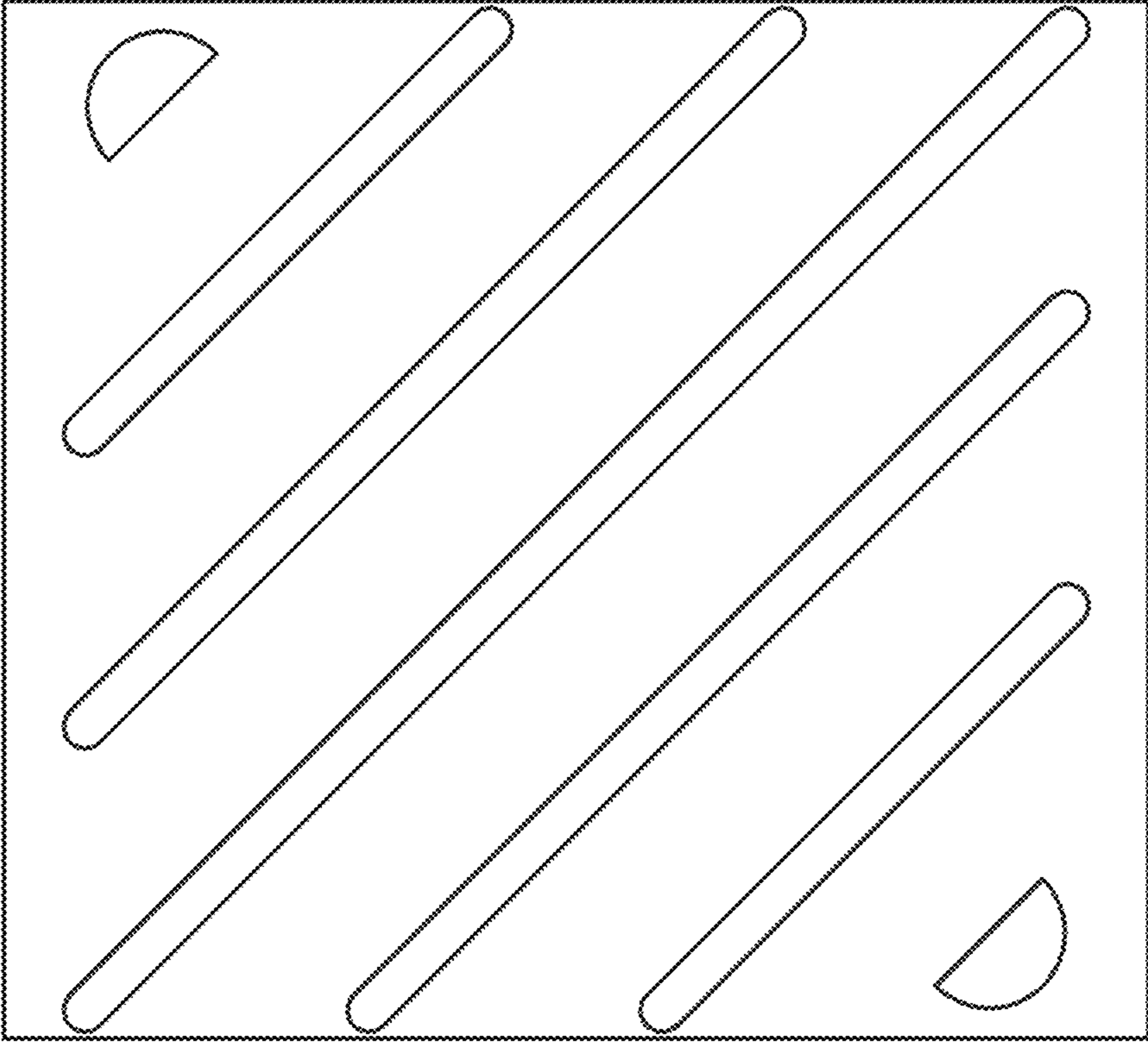


FIG.19

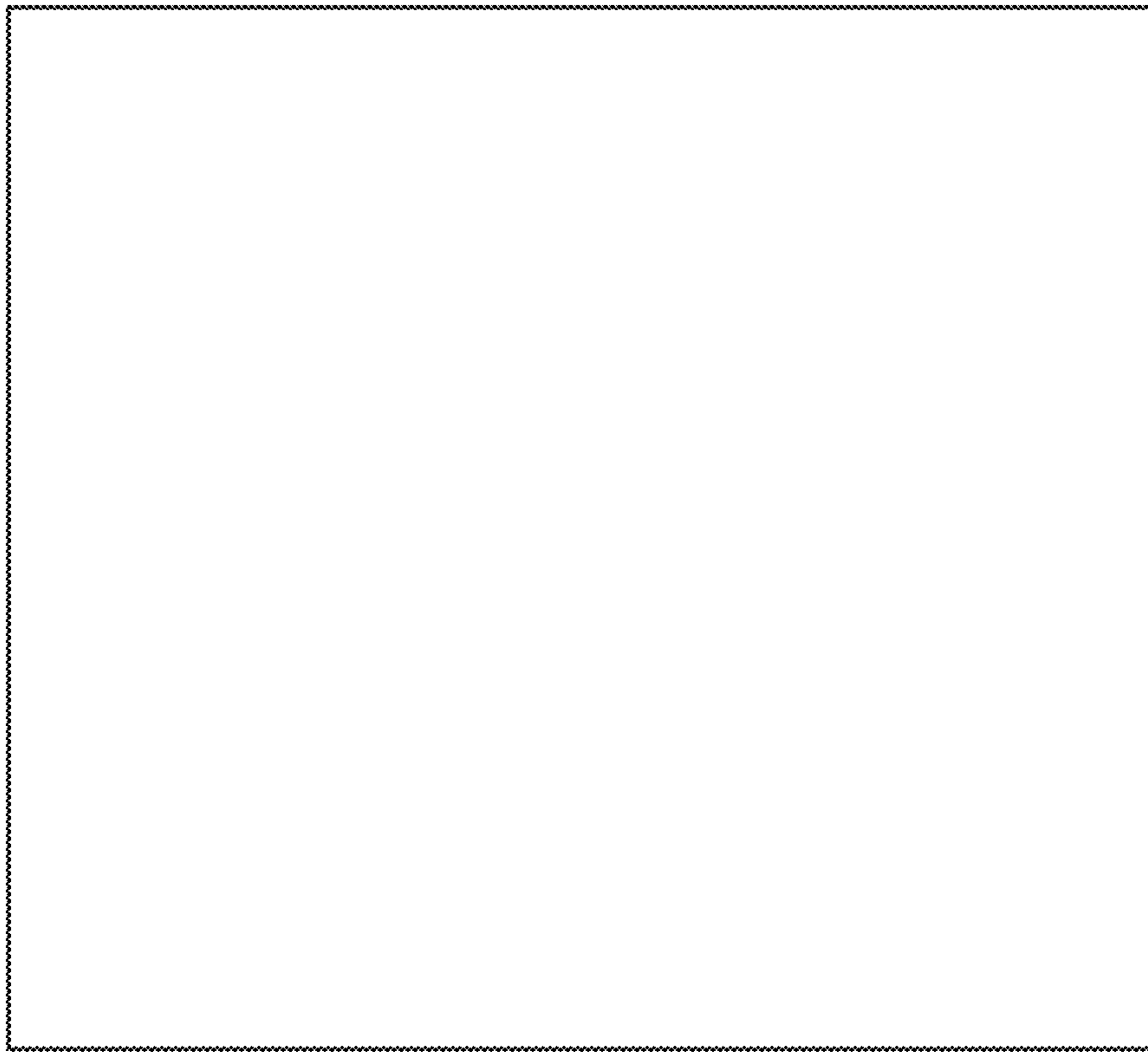


FIG.20

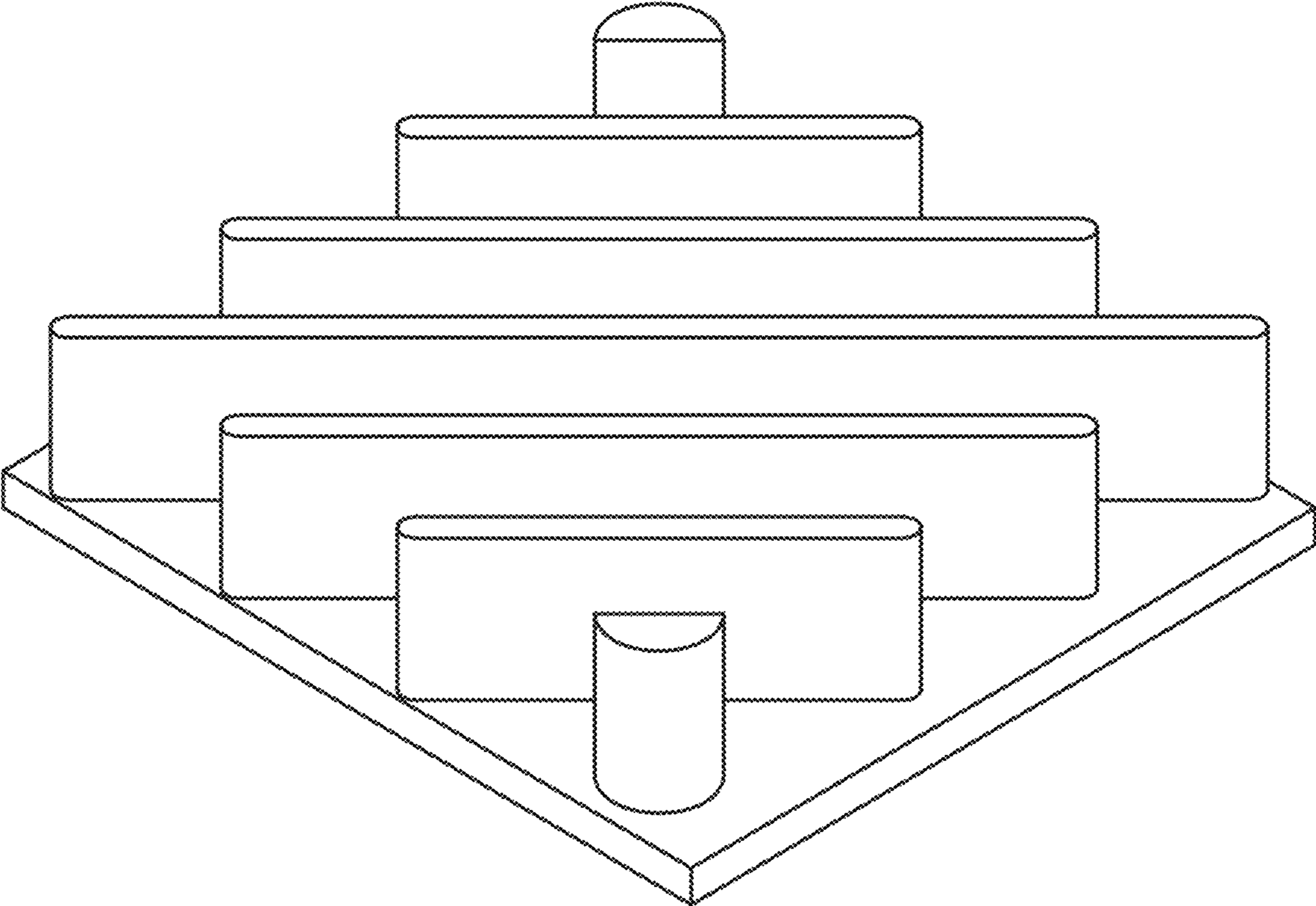


FIG.21

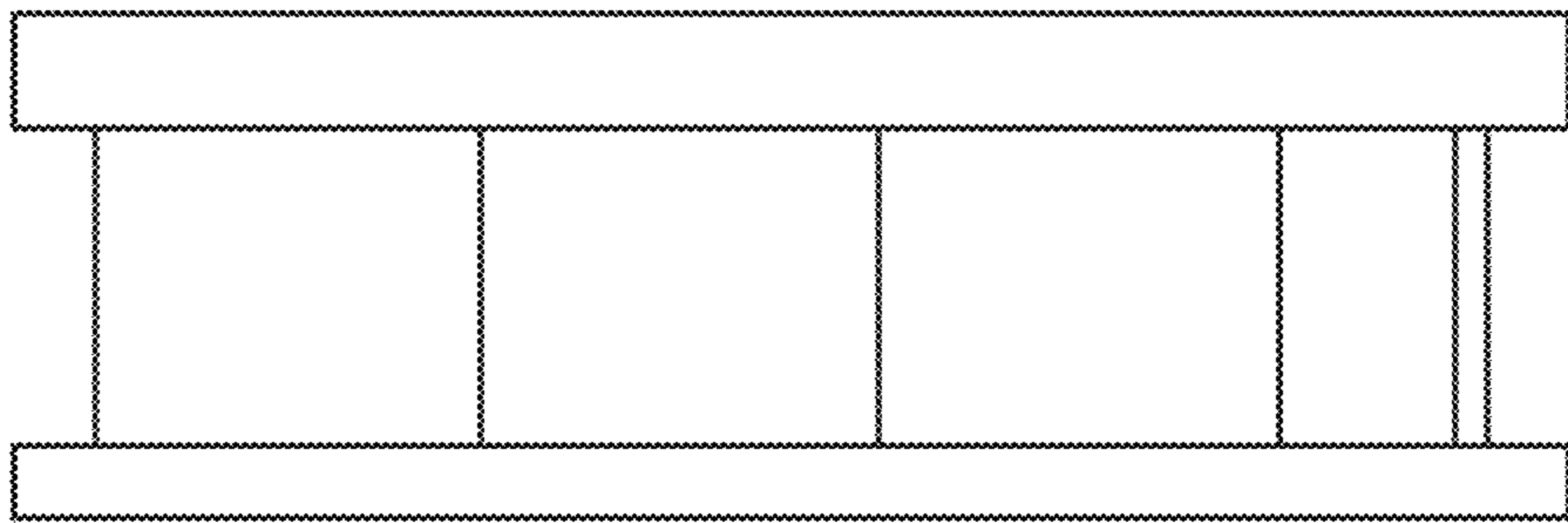


FIG. 22

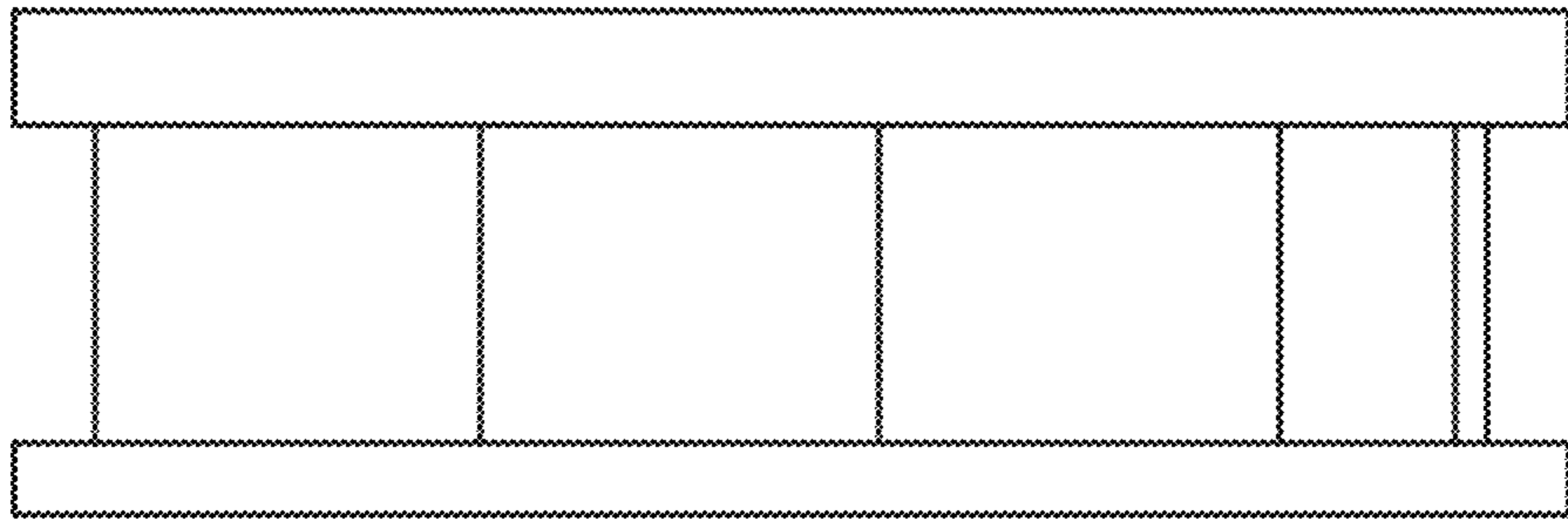


FIG.23

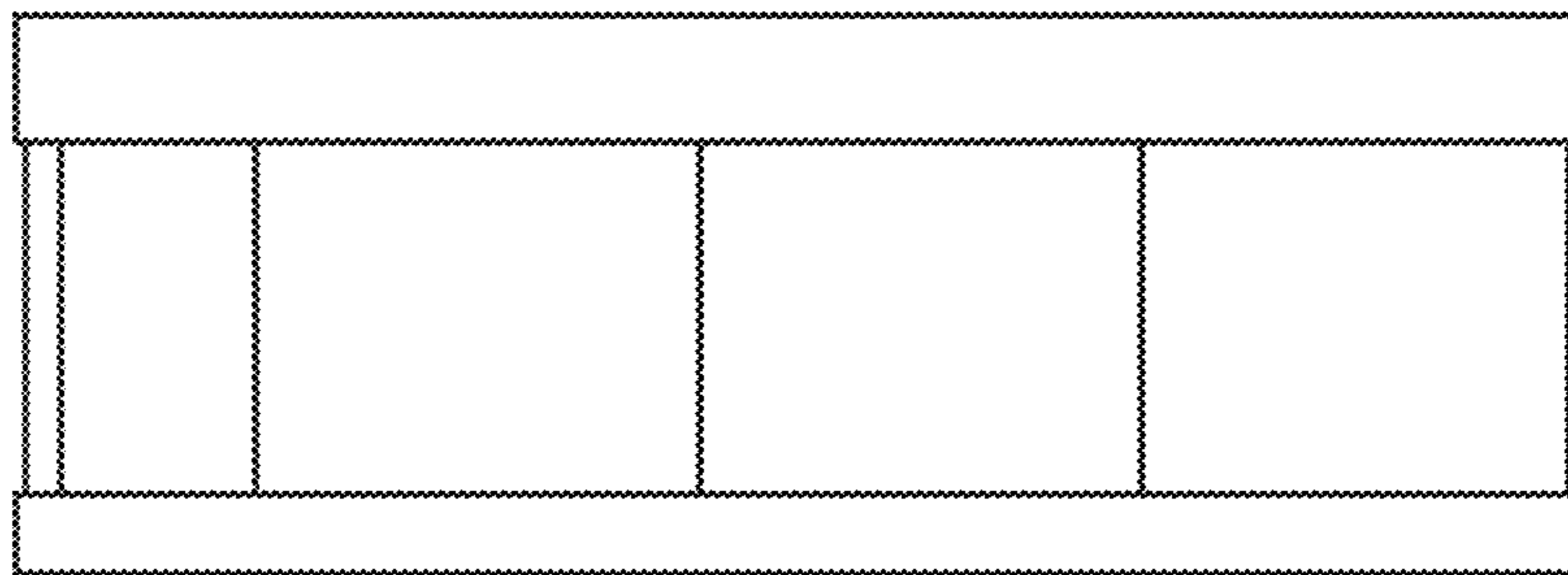


FIG.24

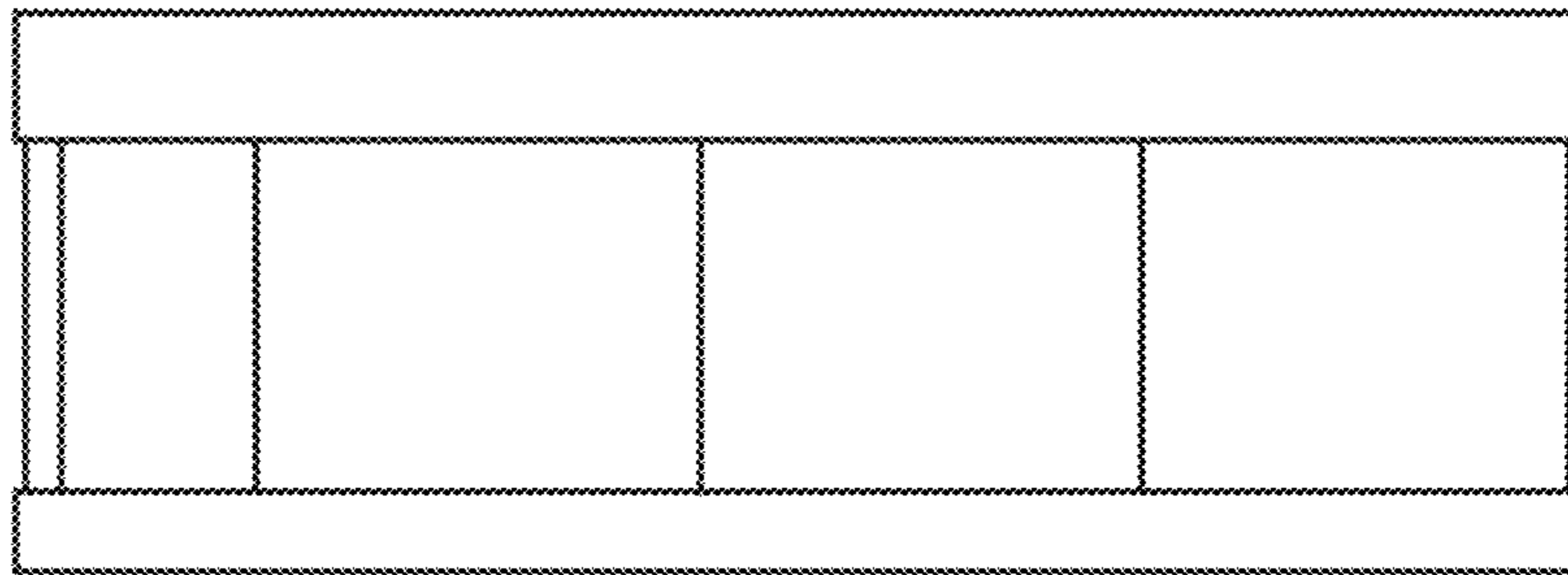


FIG.25

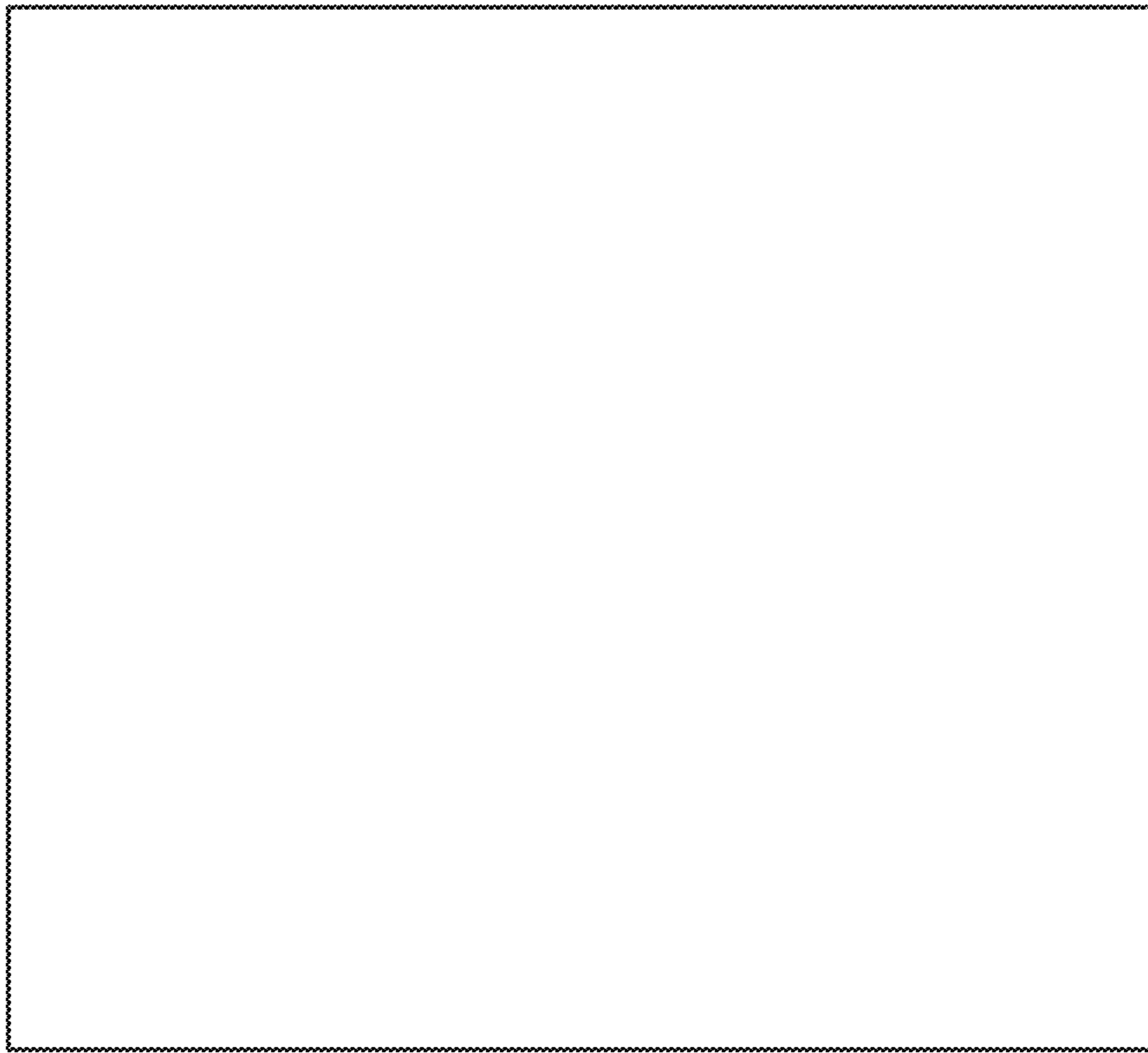


FIG.26

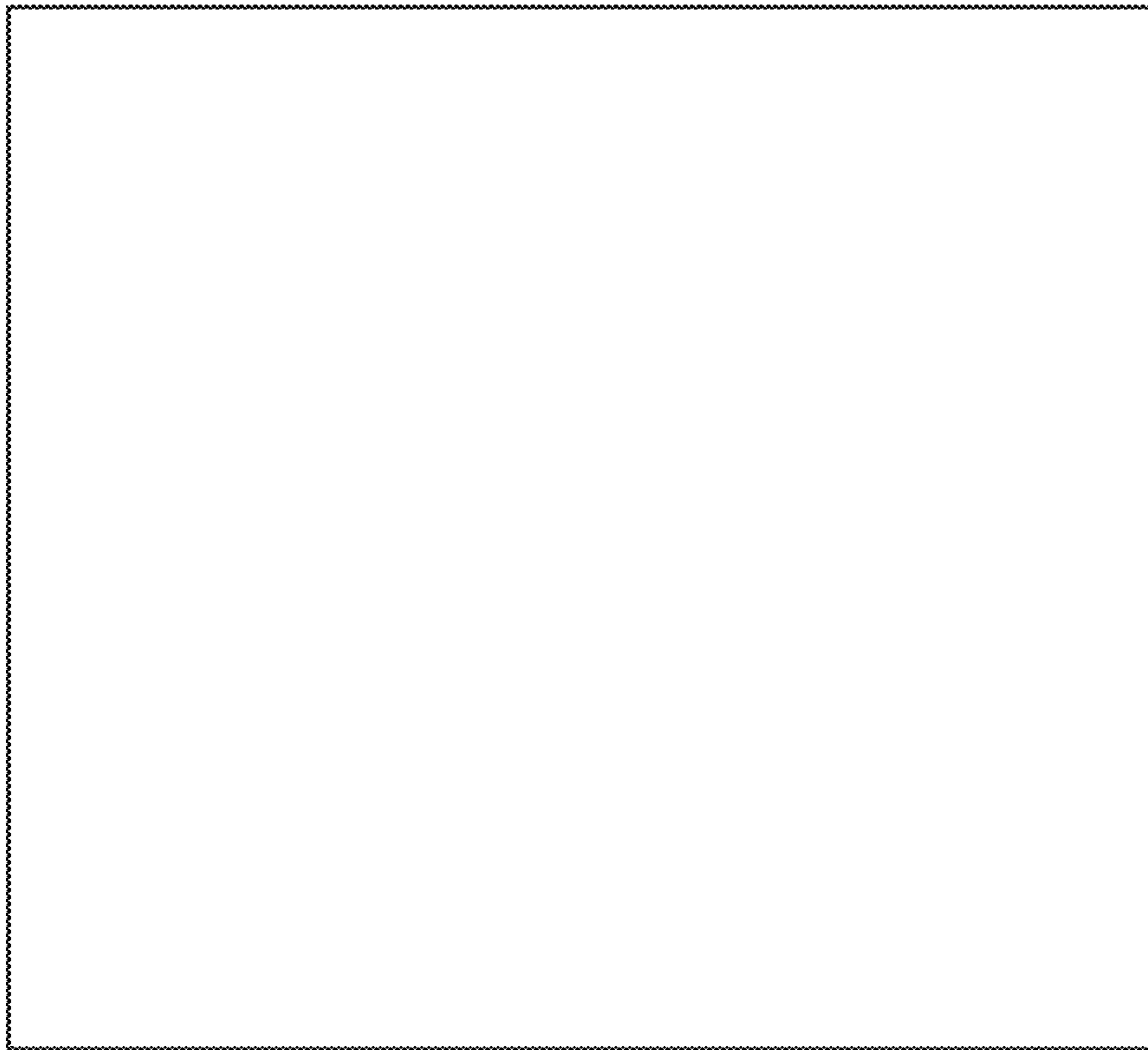


FIG.27

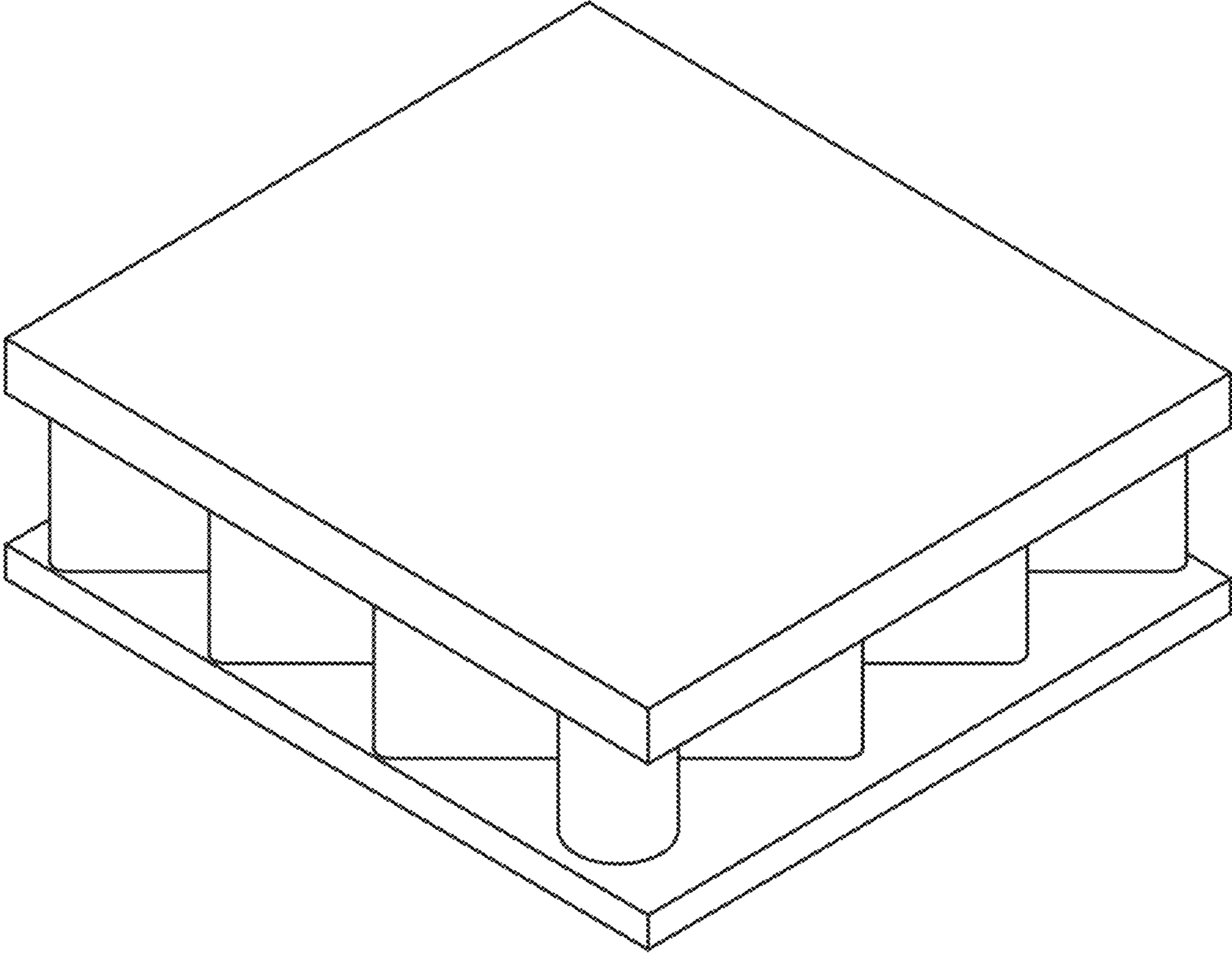


FIG.28

UNITED STATES PATENT AND TRADEMARK OFFICE
CERTIFICATE OF CORRECTION

PATENT NO. : D912,626 S
APPLICATION NO. : 29/697318
DATED : March 9, 2021
INVENTOR(S) : Haibin Song et al.

Page 1 of 8

It is certified that error appears in the above-identified patent and that said Letters Patent is hereby corrected as shown below:

On the Title Page

On page 2, Column 1 delete "1 Claim, 28 Drawing Sheets" and insert --1 Claim, 7 Drawing Sheets--.

In the Drawings

FIGS. 1-28 are shown, corrected figures should be FIGS. 1-7, as shown on the attached drawing sheets.

Signed and Sealed this
Twenty-first Day of December, 2021



Drew Hirshfeld
*Performing the Functions and Duties of the
Under Secretary of Commerce for Intellectual Property and
Director of the United States Patent and Trademark Office*

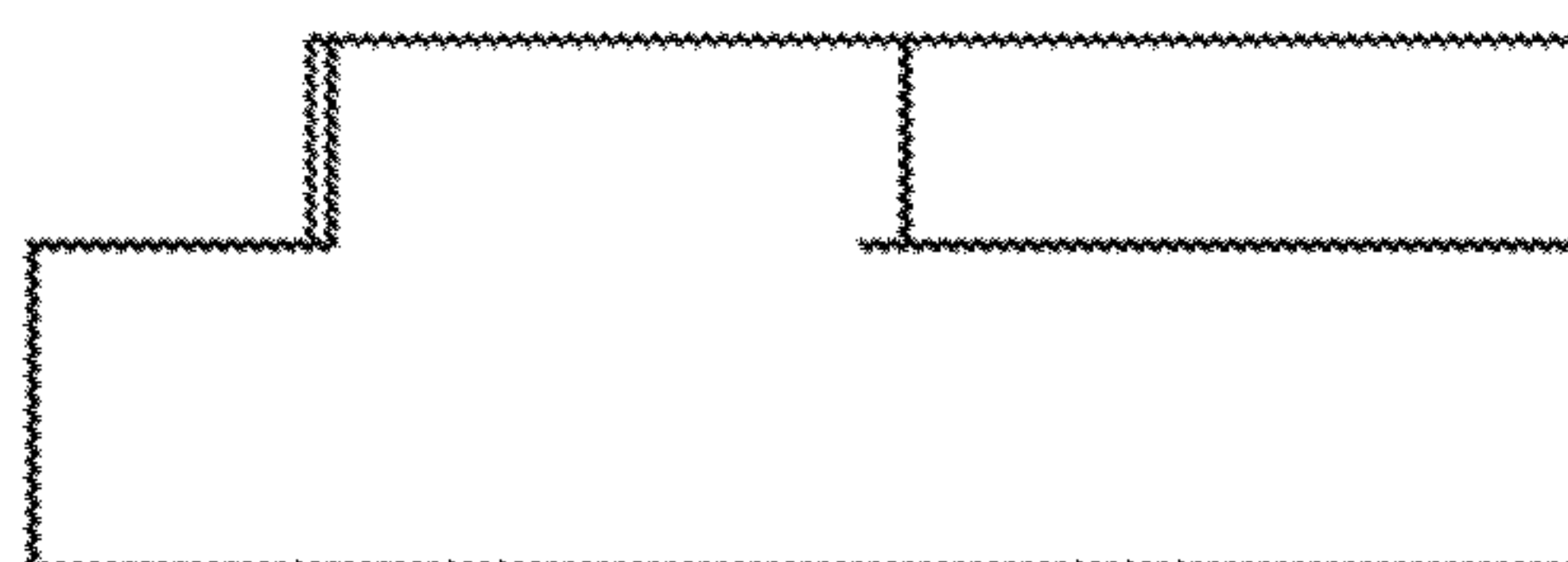


FIG.1

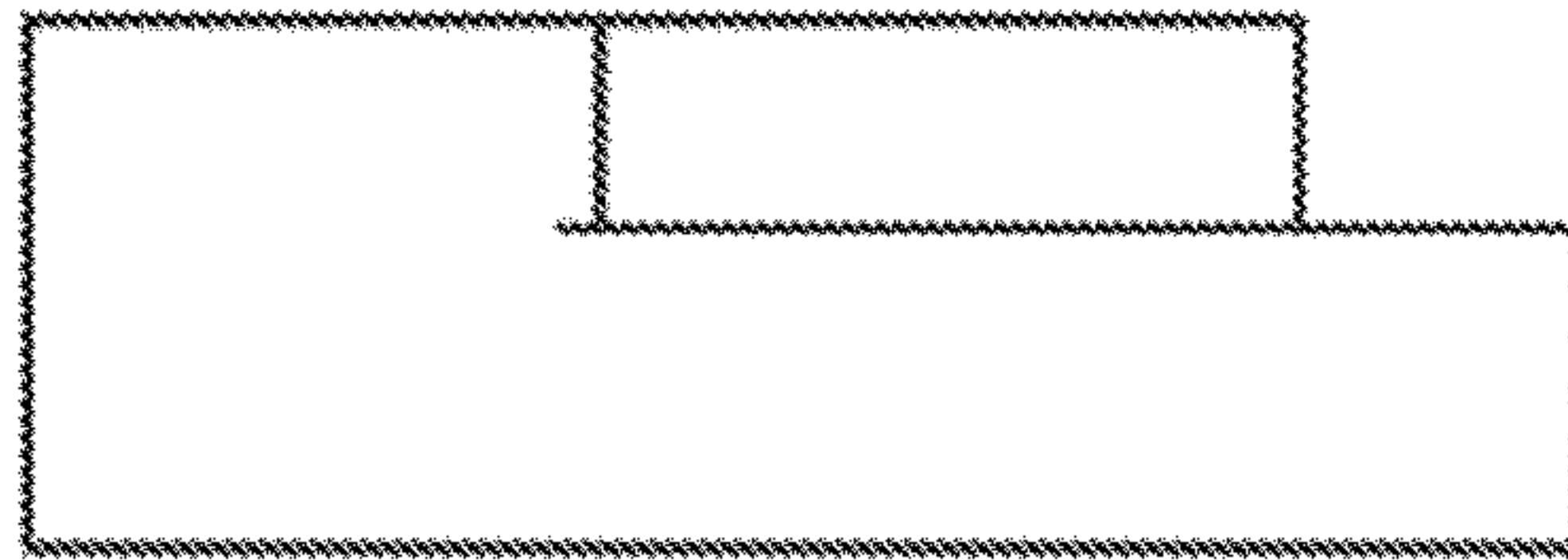


FIG. 2

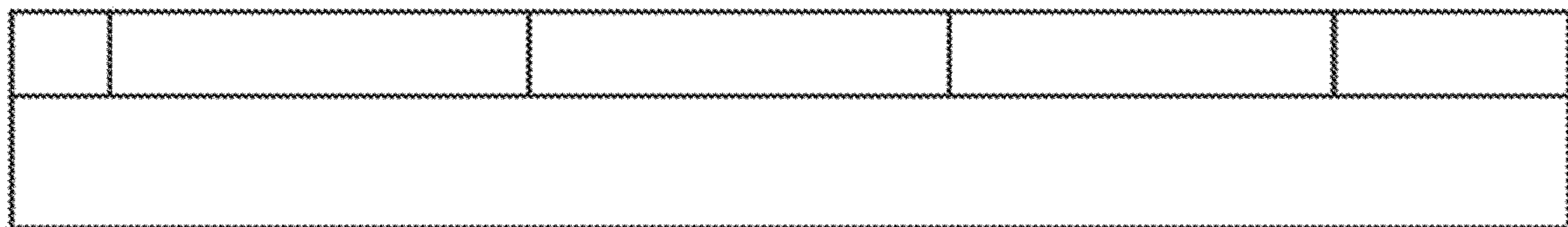


FIG.3

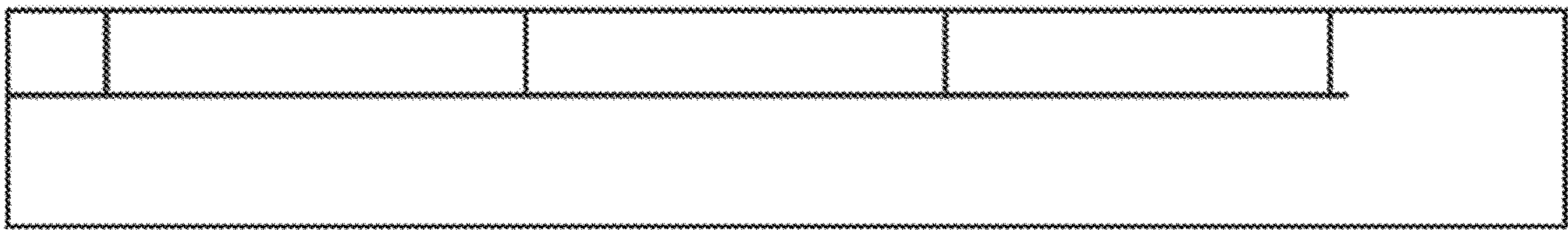


FIG.4

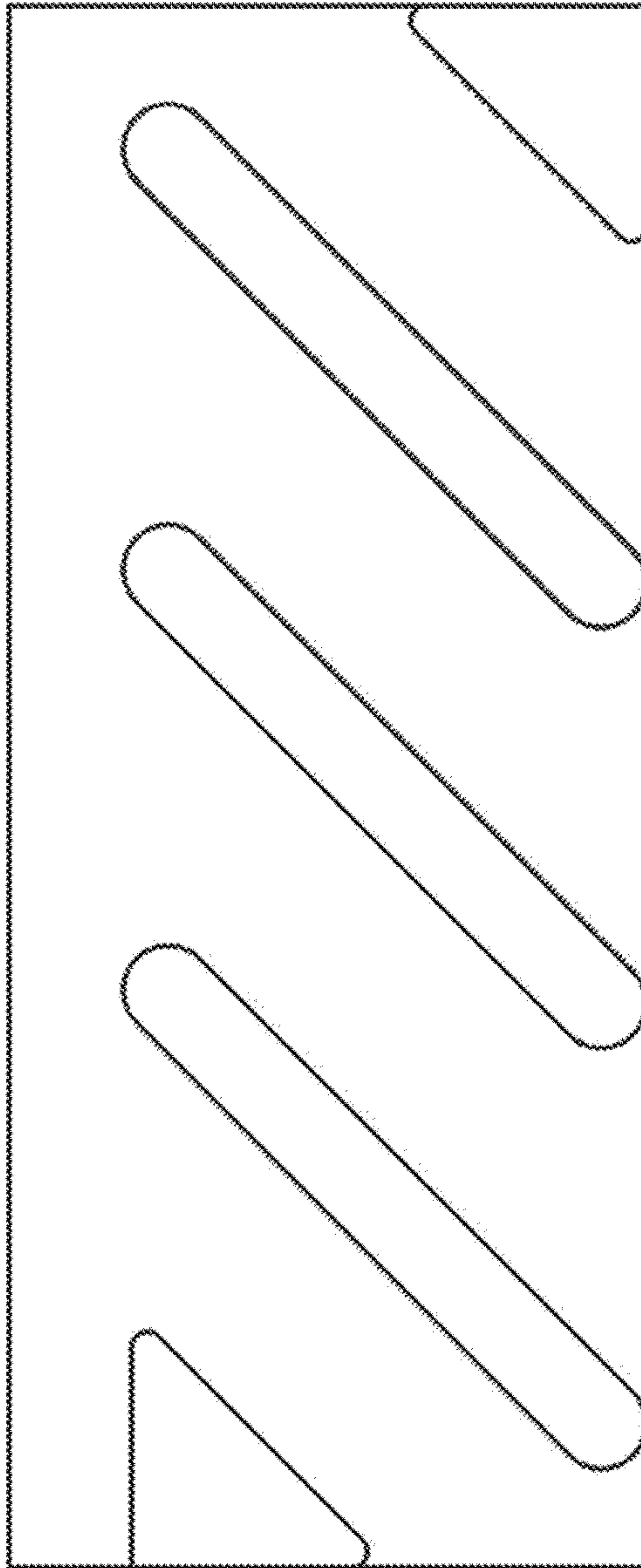


FIG.5

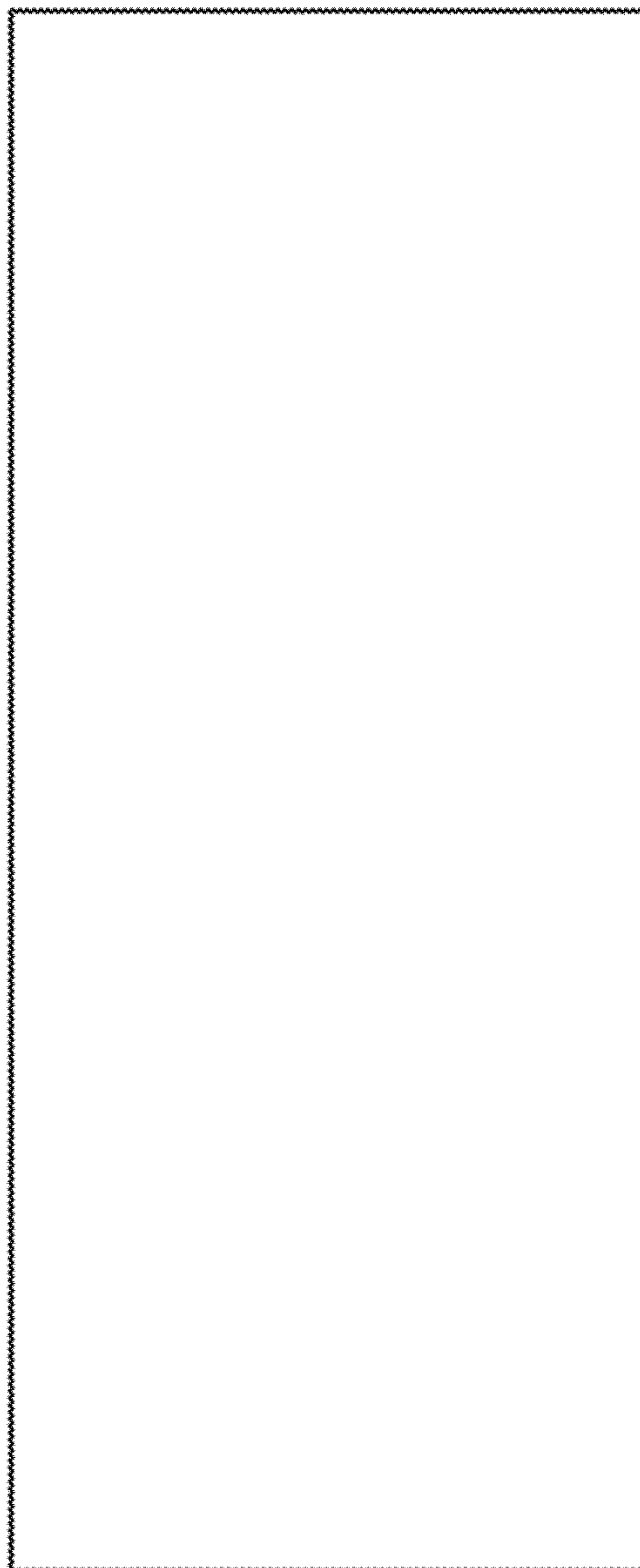


FIG.6

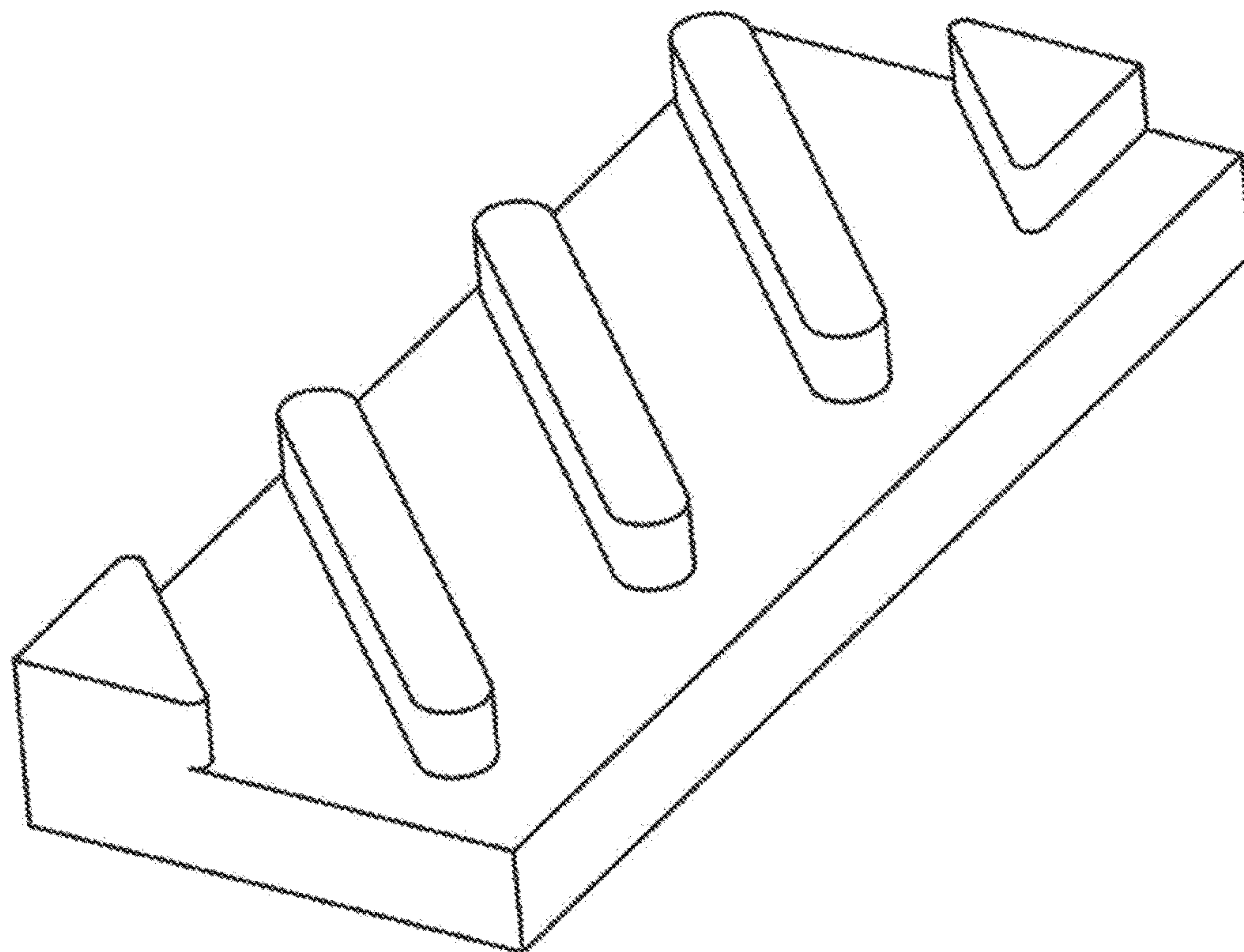


FIG.7