

US00D912625S

(12) **United States Design Patent**
Patil et al.

(10) **Patent No.:** **US D912,625 S**

(45) **Date of Patent:** **** Mar. 9, 2021**

(54) **OIL FILTER HOUSING**

(71) Applicant: **Transportation IP Holdings, LLC,**
Norwalk, CT (US)

(72) Inventors: **Abhijit Eknath Patil,** Bengaluru (IN);
Venkatesh Raman, Bengaluru (IN)

(73) Assignee: **TRANSPORTATION IP HOLDINGS,**
LLC, Norwalk, CT (US)

(**) Term: **15 Years**

(21) Appl. No.: **29/649,583**

(22) Filed: **May 31, 2018**

(51) **LOC (13) Cl.** **13-02**

(52) **U.S. Cl.**
USPC **D13/118**

(58) **Field of Classification Search**
USPC D24/112, 113, 114, 127, 128, 129, 130,
D24/131, 133, 186; D23/207, 209;
D8/363, 373, 380; D13/118
CPC B01D 35/005; B01D 27/08; B01D 29/15;
B01D 35/306; B01D 46/2414; B01D
46/4227
See application file for complete search history.

(56) **References Cited**

U.S. PATENT DOCUMENTS

4,051,036	A *	9/1977	Conrad	B01D 36/001
					210/232
4,735,716	A *	4/1988	Petrucci	B01D 29/925
					210/232
4,904,384	A *	2/1990	Potz	B01D 29/66
					210/309
5,738,785	A *	4/1998	Brown	B01D 29/21
					210/232
D511,558	S *	11/2005	Lindtveit	D23/209
7,115,199	B2 *	10/2006	Simonson	B01D 29/52
					210/232

9,789,426	B2 *	10/2017	Morris	B01D 36/006
D814,608	S *	4/2018	Adey	D23/209
9,933,077	B2 *	4/2018	Mueller	B01D 35/005
10,112,133	B2 *	10/2018	Morris	B01D 46/4227
D835,232	S *	12/2018	Adey	D23/209
10,183,244	B2 *	1/2019	Opletal	B01D 35/18
10,201,772	B2 *	2/2019	Allott	B01D 29/15
10,202,952	B2 *	2/2019	Jokschas	B01D 27/08
D849,936	S *	5/2019	Allard	D24/129
D850,576	S *	6/2019	Kremerman	D23/207
D852,322	S *	6/2019	Downie	D23/209
10,343,090	B2 *	7/2019	Morris	B01D 35/306
D870,882	S *	12/2019	Kaneko	D24/129
D871,573	S *	12/2019	Kaneko	D24/129
D881,334	S *	4/2020	Kremerman	D23/207
D894,378	S *	8/2020	Turturro	D24/129
10,773,979	B2 *	9/2020	Jansen	B01D 27/08

* cited by examiner

Primary Examiner — Susan Bennett Hattan

Assistant Examiner — Suzanne E Tisdell

(74) *Attorney, Agent, or Firm* — McCoy Russell LLP

(57) **CLAIM**

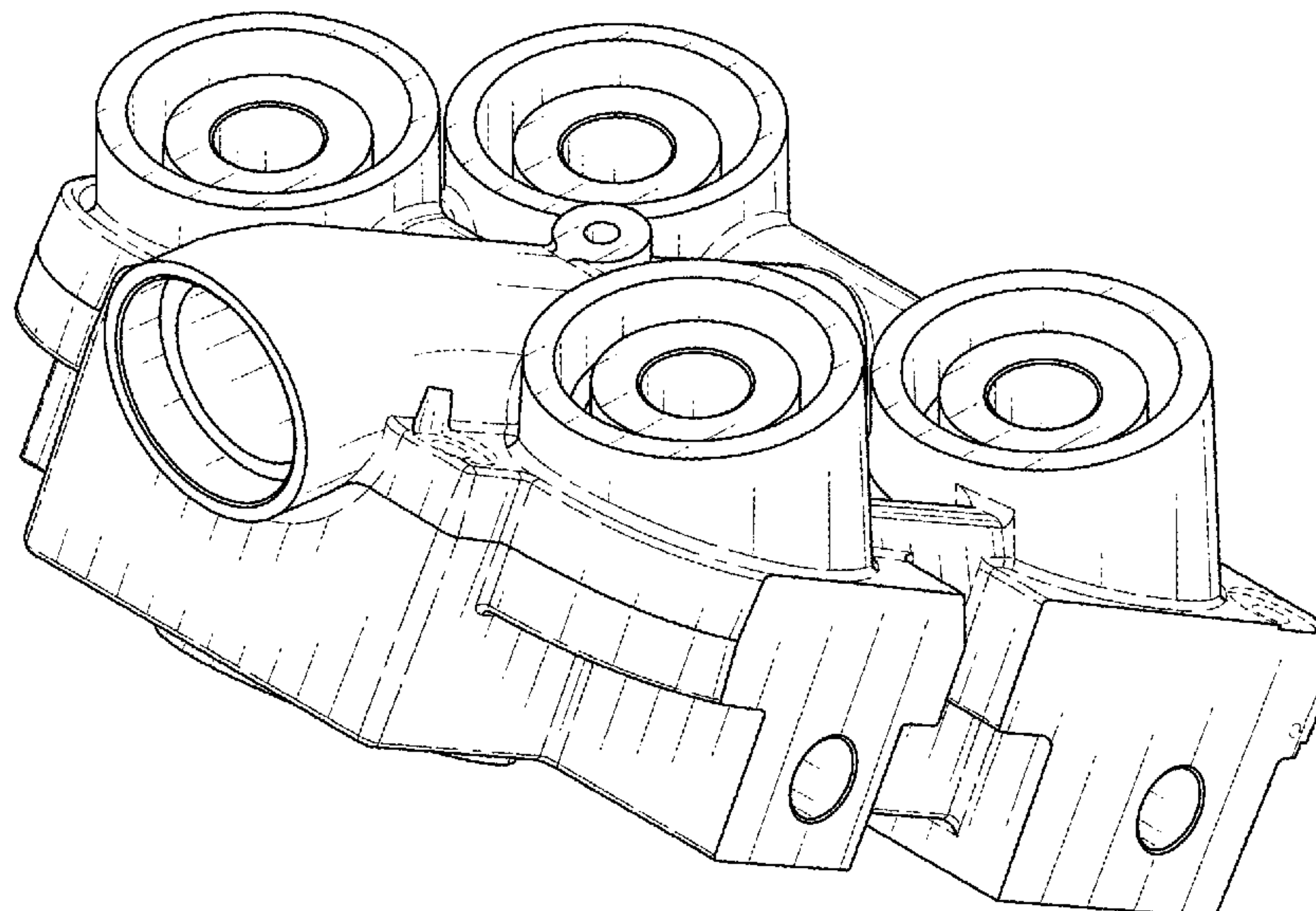
The ornamental design for an oil filter housing, as shown and described.

DESCRIPTION

FIG. 1 is a perspective view of an oil filter housing according to an embodiment of the invention;
FIG. 2 is another perspective view thereof;
FIG. 3 is another perspective view thereof;
FIG. 4 is a front view thereof;
FIG. 5 is a rear view thereof;
FIG. 6 is a left view thereof;
FIG. 7 is a right view thereof;
FIG. 8 is a top view thereof; and,
FIG. 9 is a bottom view thereof.

The broken line portion of the figures is included to show unclaimed subject matter only and forms no part of the claimed design.

1 Claim, 9 Drawing Sheets



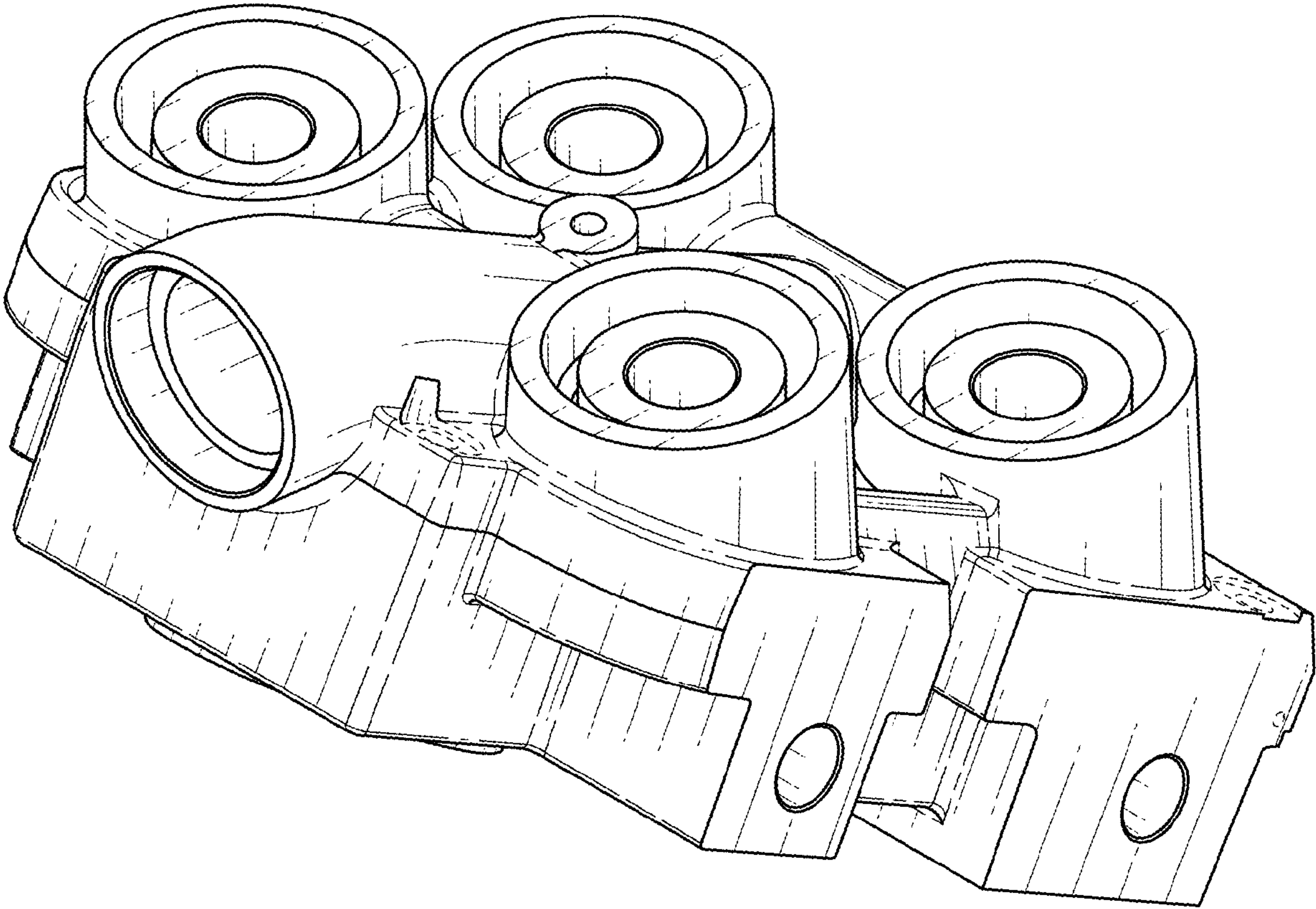


FIG. 1

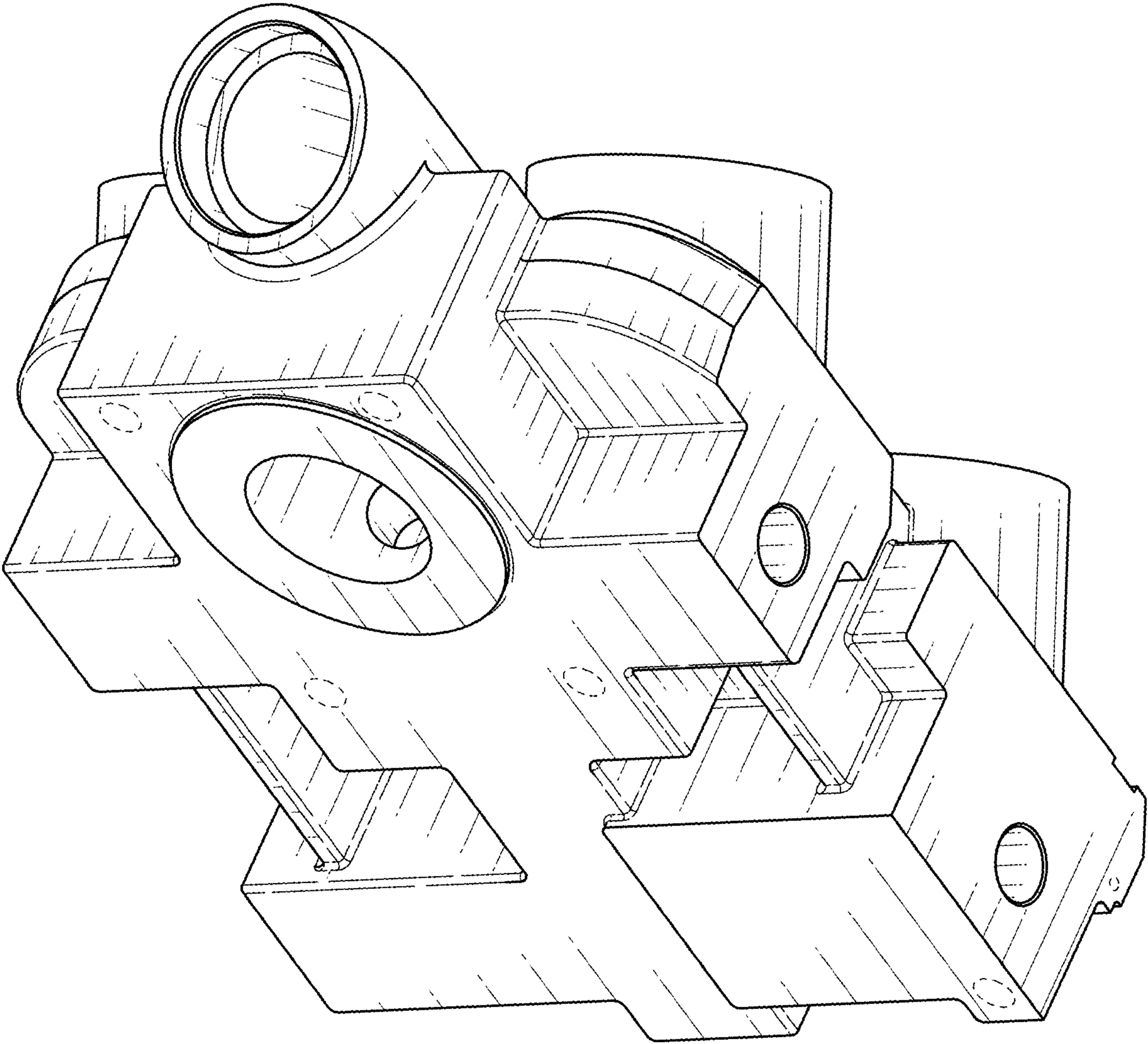


FIG. 2

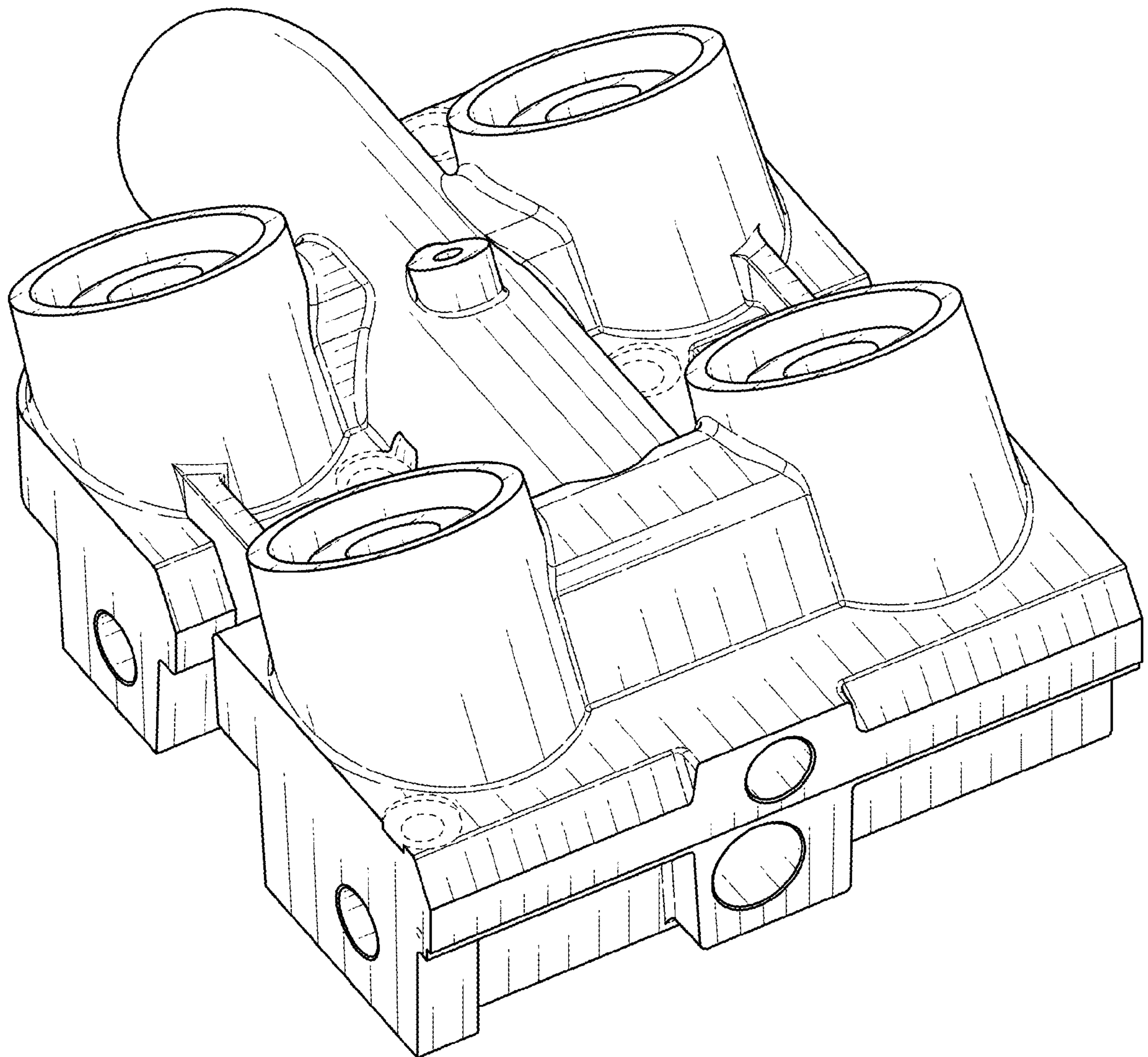


FIG. 3

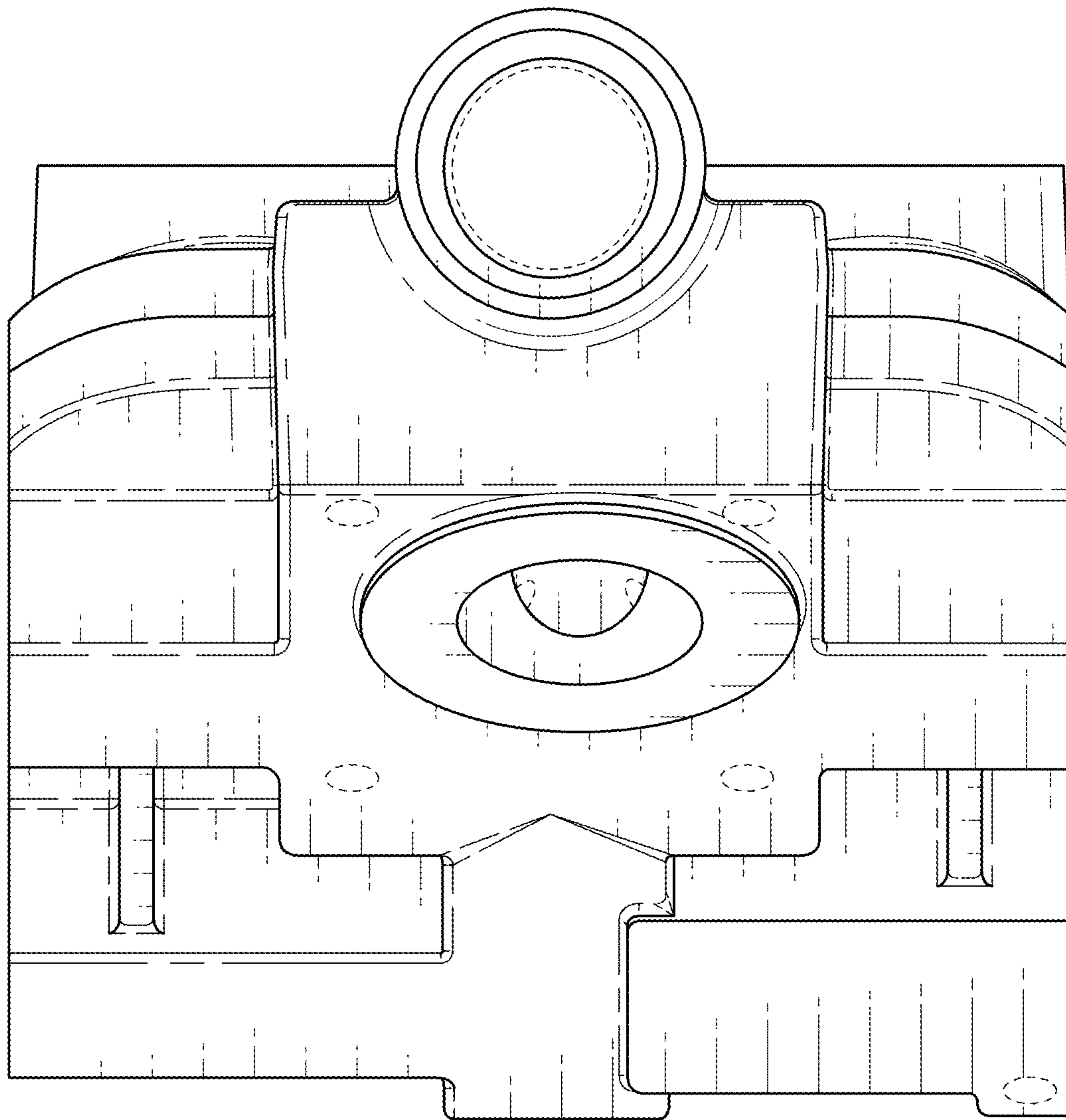


FIG. 4

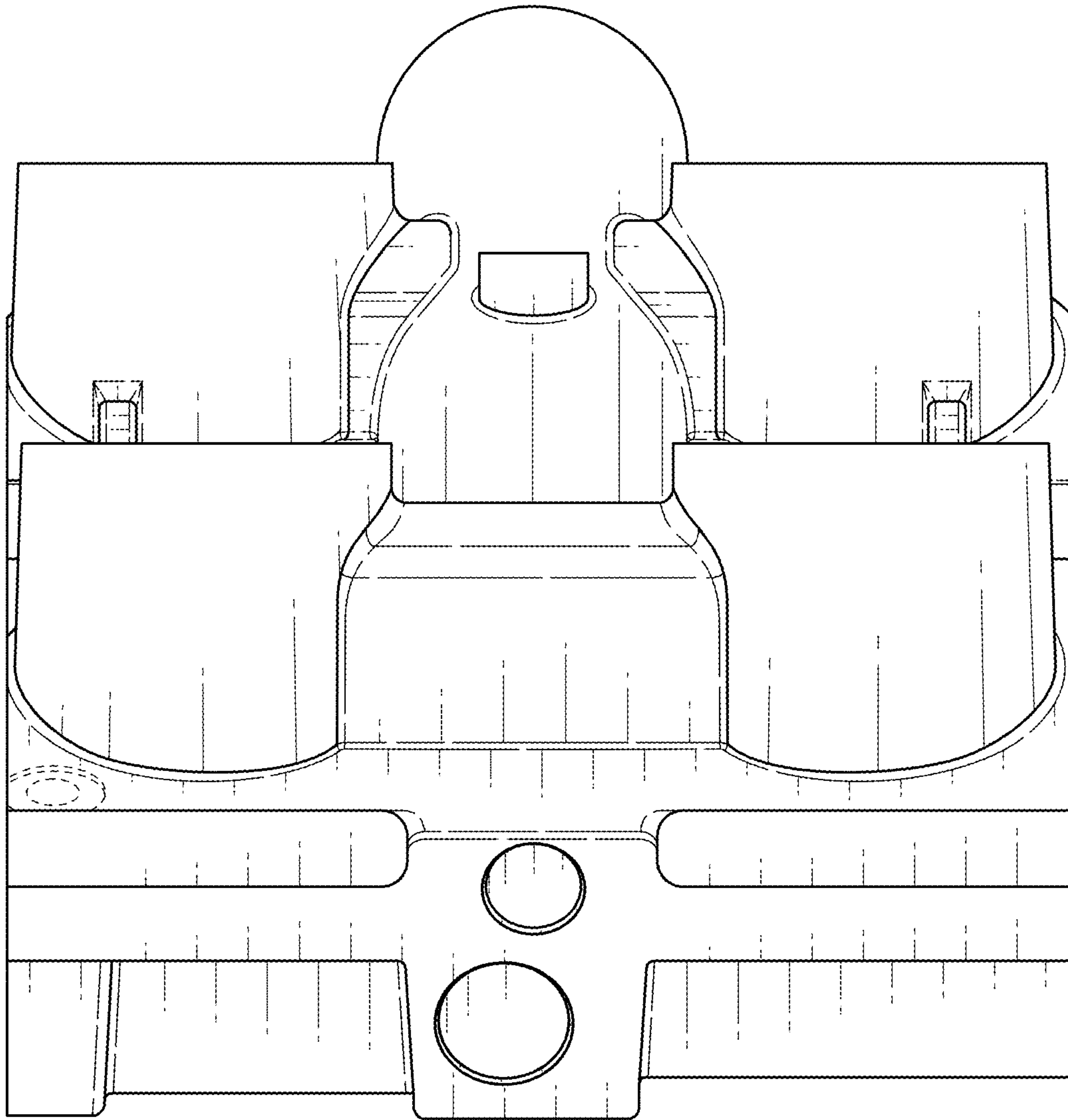


FIG. 5

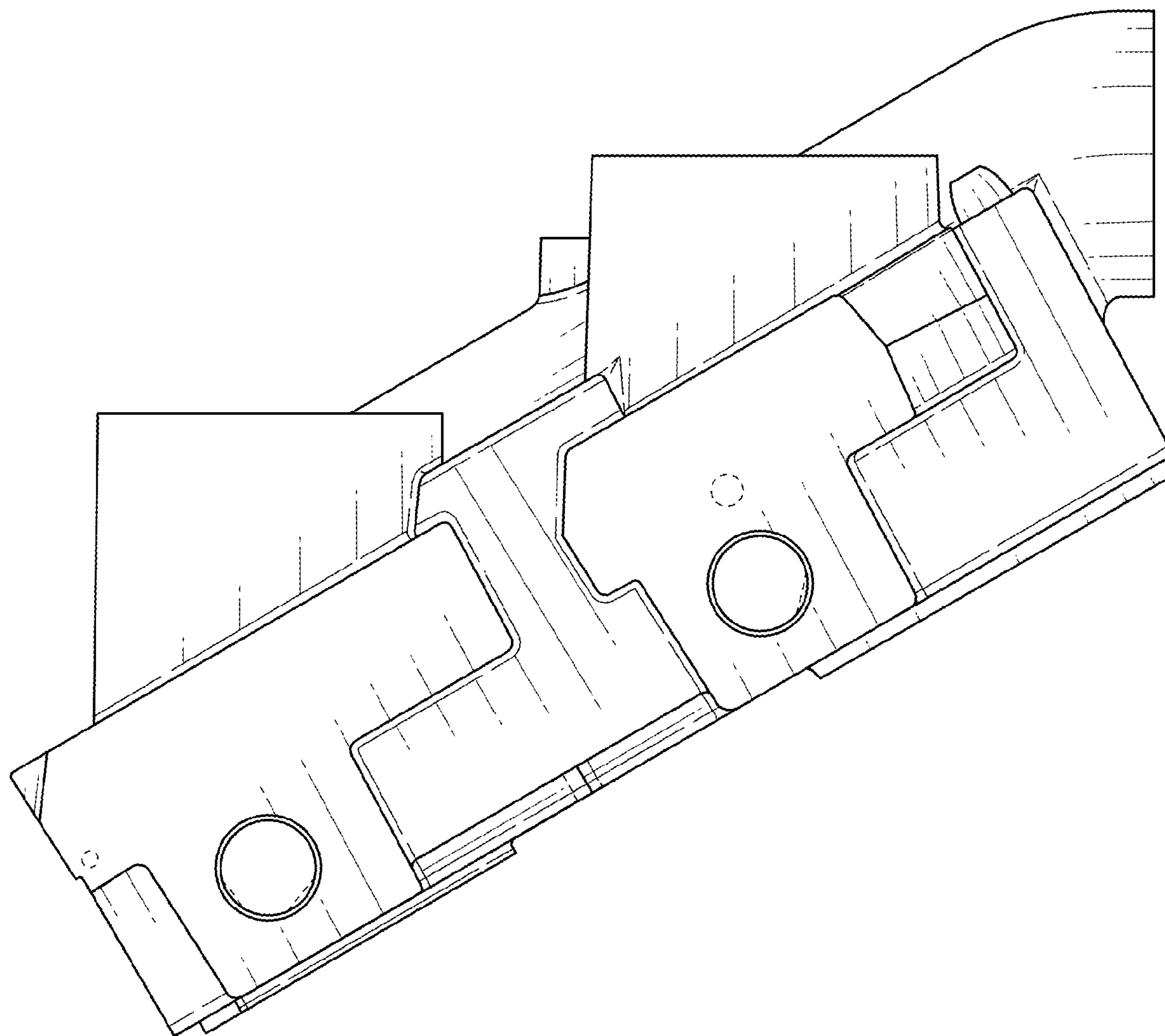


FIG. 6

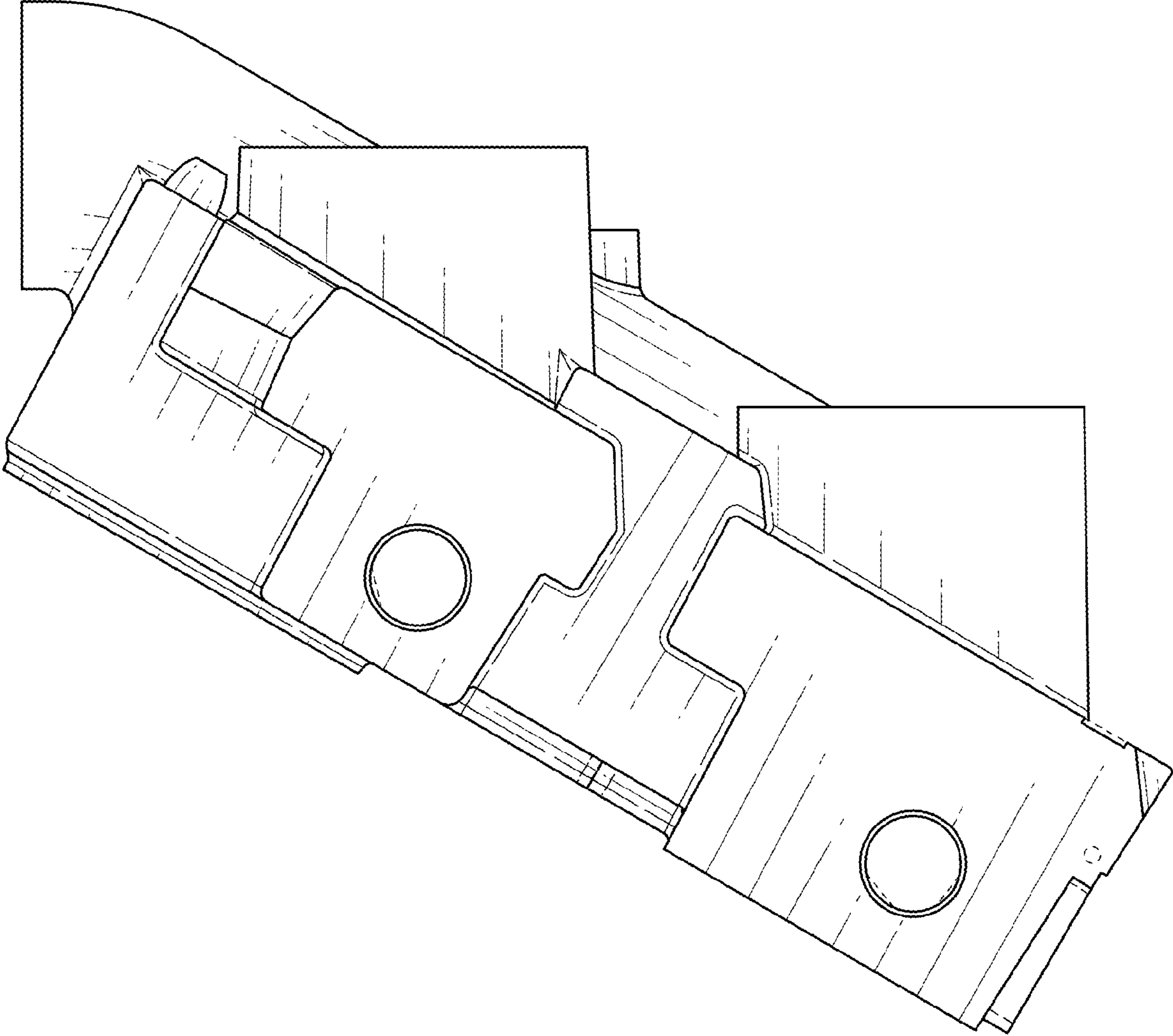


FIG. 7

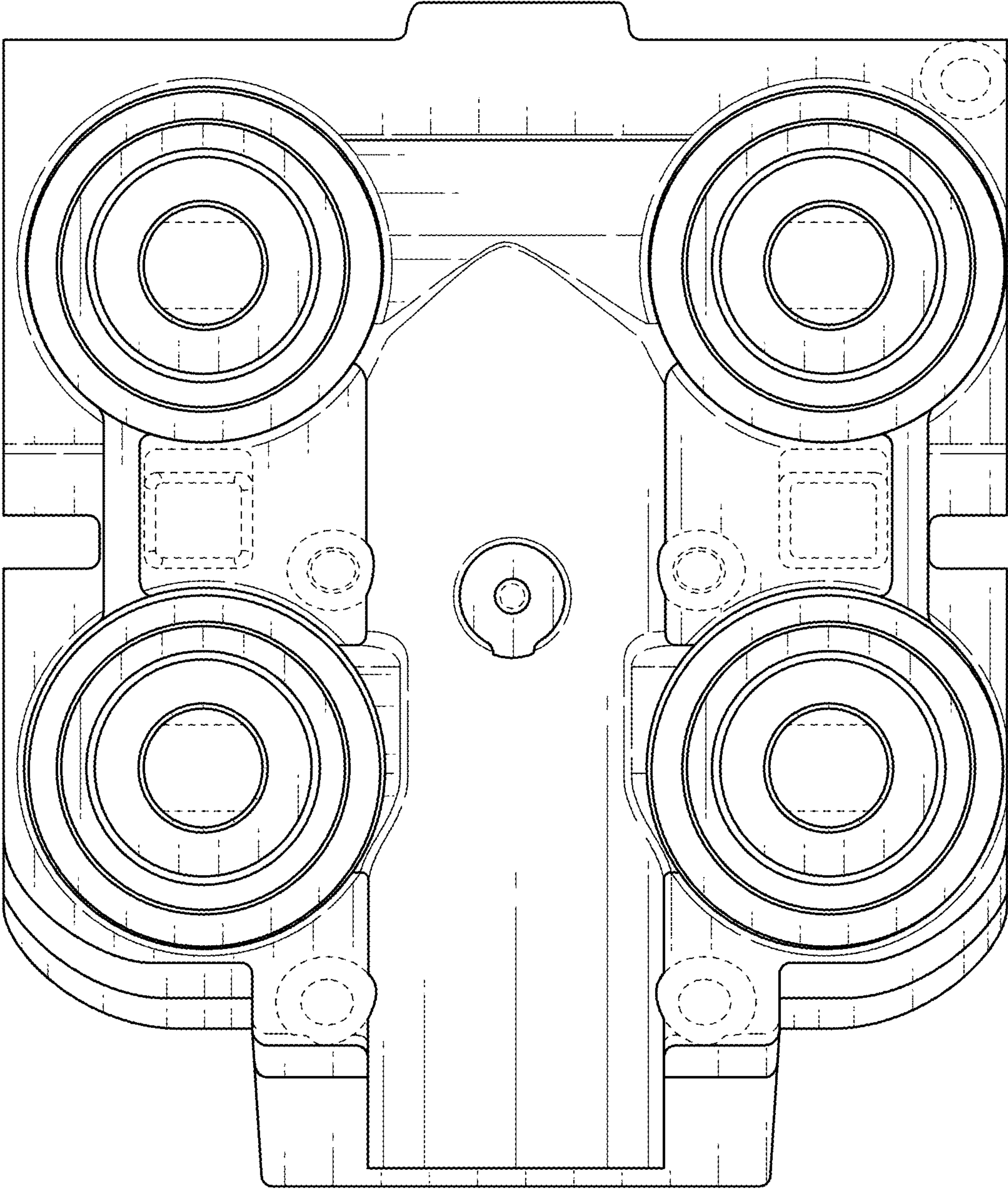


FIG. 8

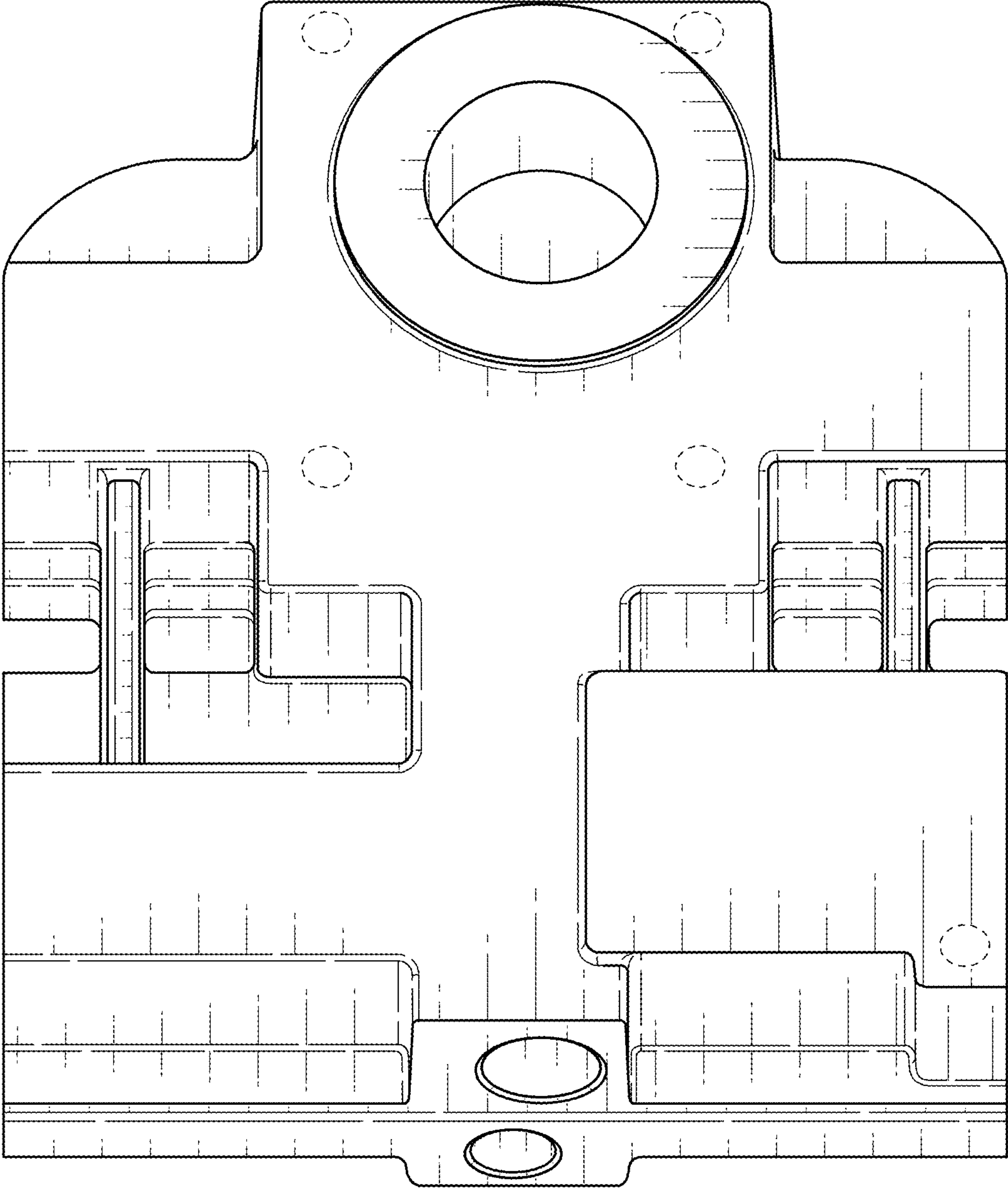


FIG. 9