



US00D912623S

(12) **United States Design Patent**
Zhou

(10) **Patent No.:** **US D912,623 S**

(45) **Date of Patent:** **** Mar. 9, 2021**

(54) **CHARGING CASE**

(71) Applicant: **Wenjie Zhou**, Kaifeng (CN)

(72) Inventor: **Wenjie Zhou**, Kaifeng (CN)

(**) Term: **15 Years**

(21) Appl. No.: **29/752,716**

(22) Filed: **Sep. 29, 2020**

(51) **LOC (13) Cl.** **13-02**

(52) **U.S. Cl.**
USPC **D13/108**; D3/294

(58) **Field of Classification Search**
USPC D13/103, 107–110, 118–119, 184, 199;
D3/201, 218, 318, 321, 328, 269, 273,
D3/294, 274, 300; D14/217, 223, 238.1,
D14/440

CPC .. H02J 50/00; H02J 50/10; H02J 50/12; H02J
50/80; H02J 7/025; H02J 7/005; H02J
7/0026; H02J 7/0044; H02J 7/0045; H02J
7/0013; H02J 7/0003; A45C 2011/001;
A45C 2011/002; A45C 2011/003

See application file for complete search history.

(56) **References Cited**

U.S. PATENT DOCUMENTS

D668,457 S * 10/2012 Mimplitch, III D3/294
D708,850 S * 7/2014 Morine D3/294
D738,110 S * 9/2015 Jiang D3/294
D846,264 S * 4/2019 Wu D3/201
D851,035 S * 6/2019 Hong D13/108

D852,133 S * 6/2019 Rogala D13/108
D853,116 S * 7/2019 Bergman D3/294
D860,937 S * 9/2019 Slaatto D13/108
D870,451 S * 12/2019 Birger D3/201
D881,810 S * 4/2020 Zhang D13/108
D882,262 S * 4/2020 Zhang D3/294
D888,423 S * 6/2020 Chen D3/274
D888,664 S * 6/2020 Ma D13/108
D902,589 S * 11/2020 Li D3/295
D906,342 S * 12/2020 Lee D14/440
2020/0304899 A1 * 9/2020 Cramer A45C 11/00

* cited by examiner

Primary Examiner — Rosemary K Tarcza

(57) **CLAIM**

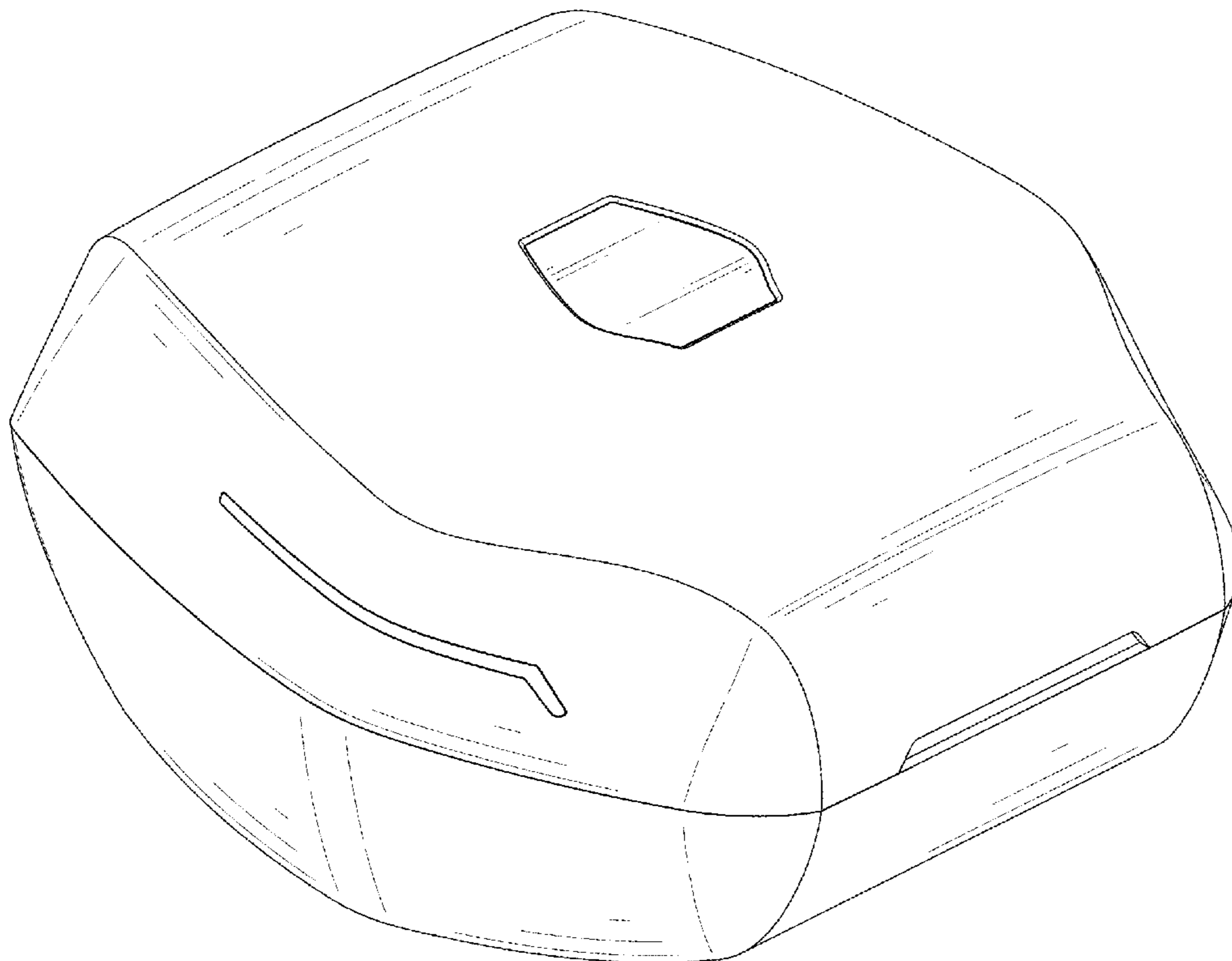
The ornamental design for a charging case, as shown and described.

DESCRIPTION

FIG. 1 is a perspective view of a charging case showing my new design;
FIG. 2 is another perspective view thereof;
FIG. 3 is a front elevational view thereof;
FIG. 4 is a rear elevational view thereof;
FIG. 5 is a left side elevational view thereof;
FIG. 6 is a right side elevational view thereof;
FIG. 7 is a top plan view thereof; and,
FIG. 8 is a bottom plan view thereof.

The broken lines in the drawings depict portions of the charging case that form no part of the claimed design.

1 Claim, 8 Drawing Sheets



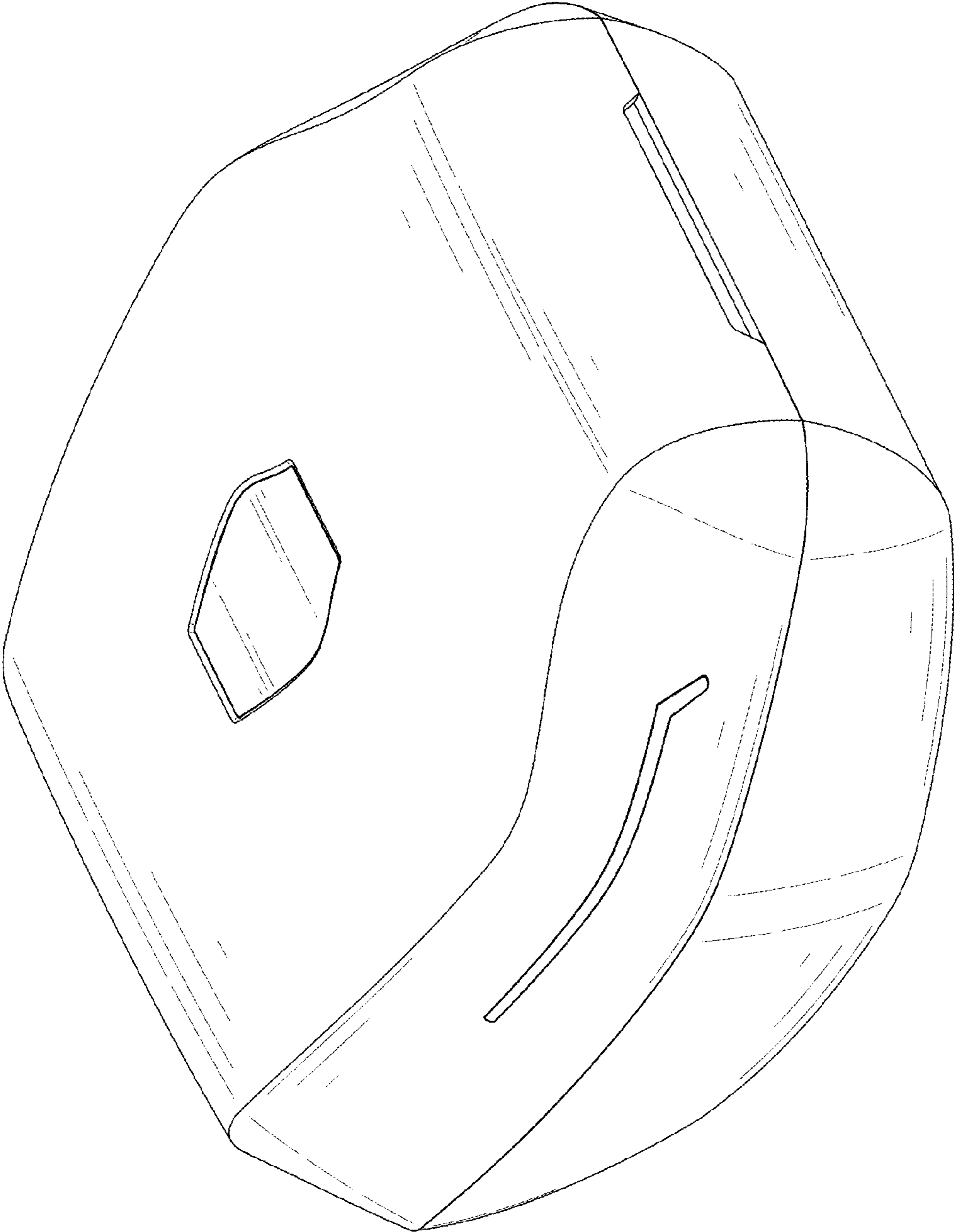


FIG. 1

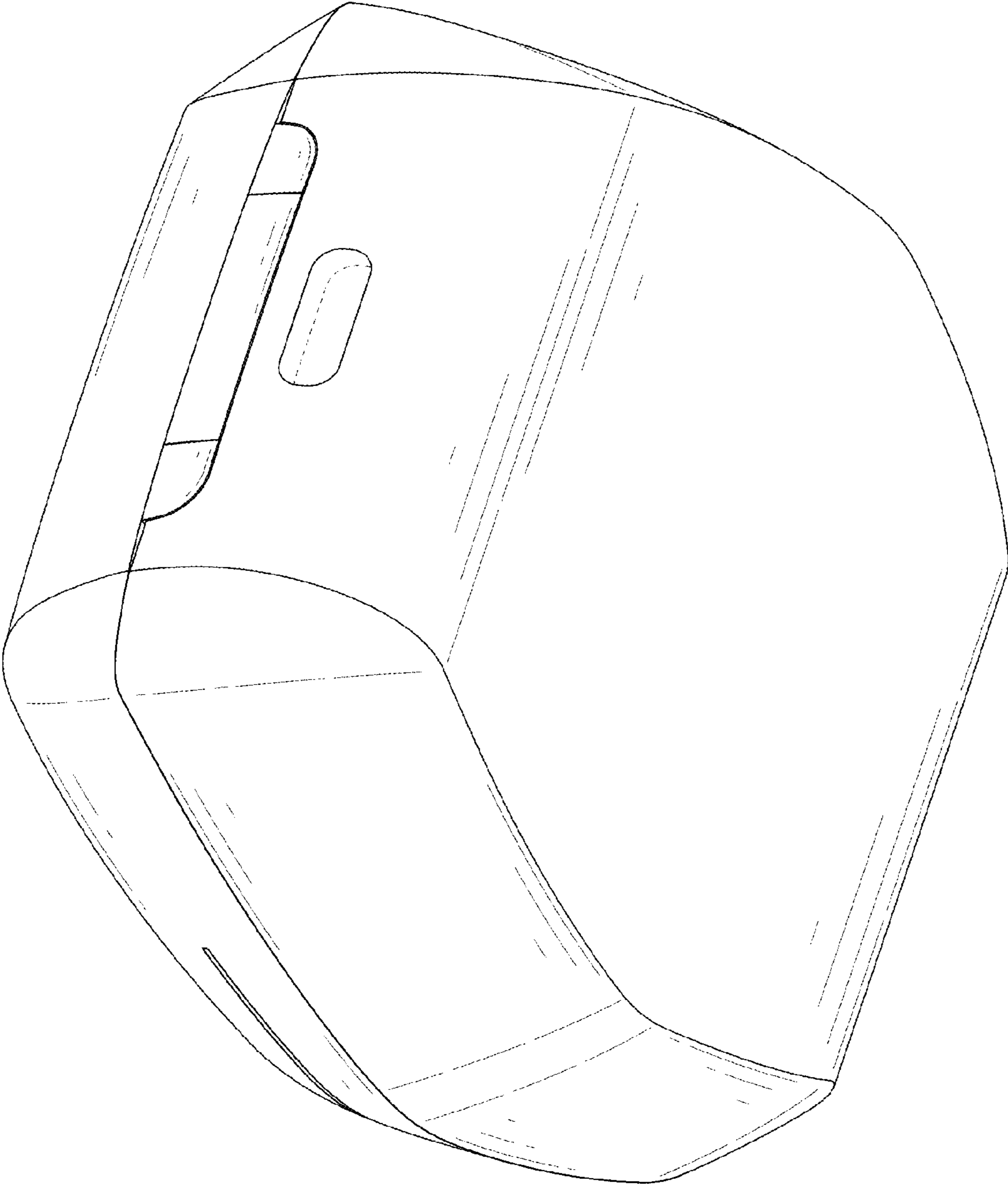


FIG. 2

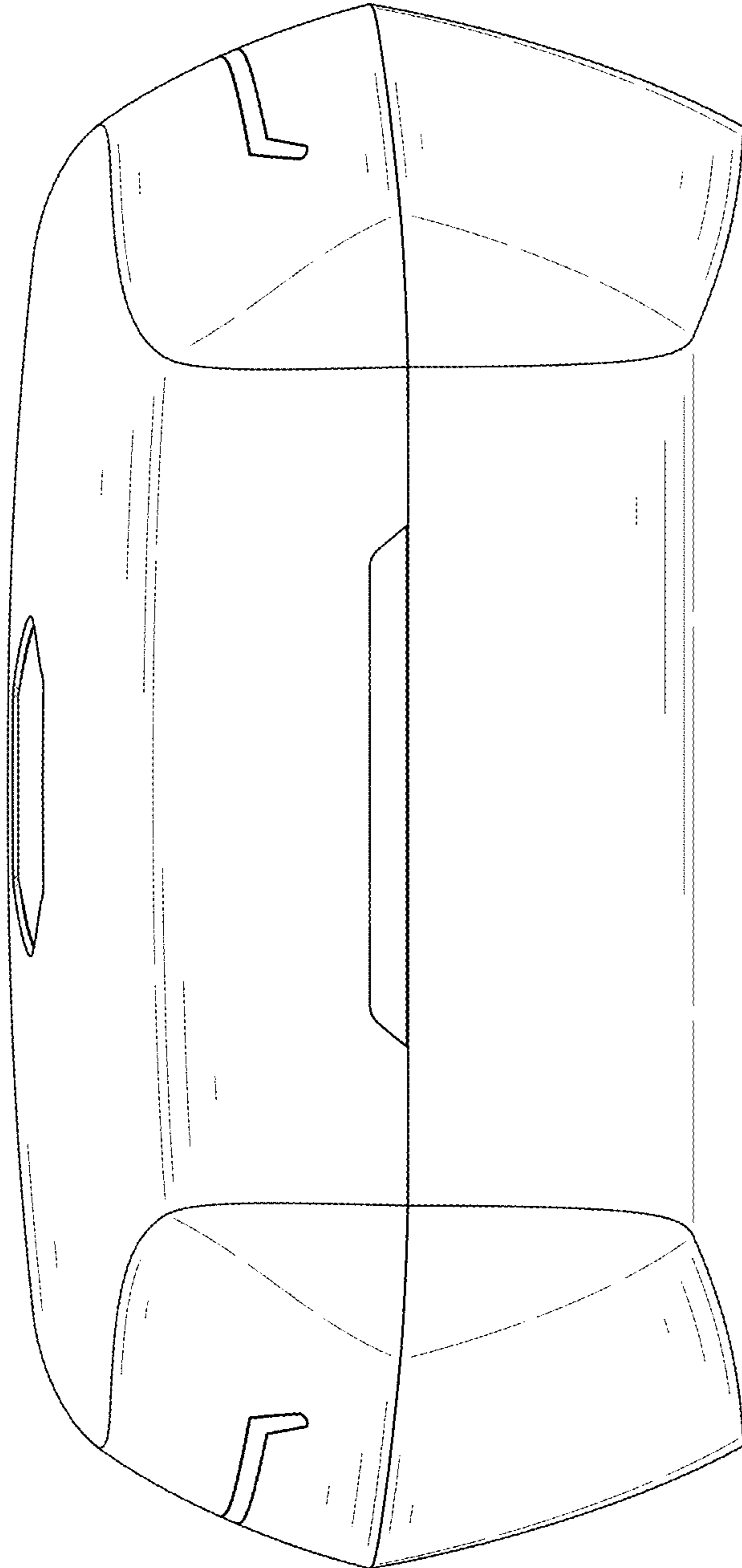


FIG. 3

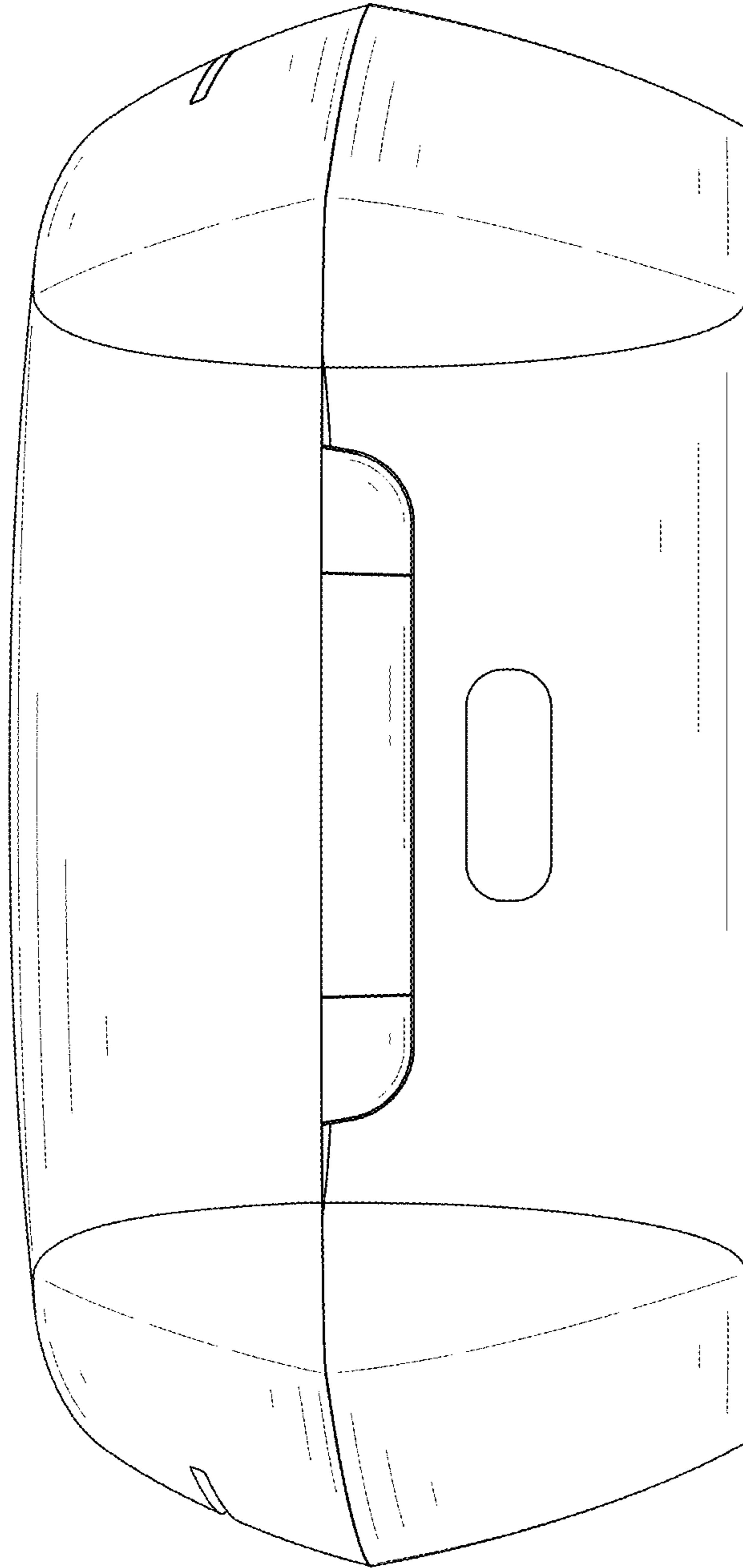


FIG. 4

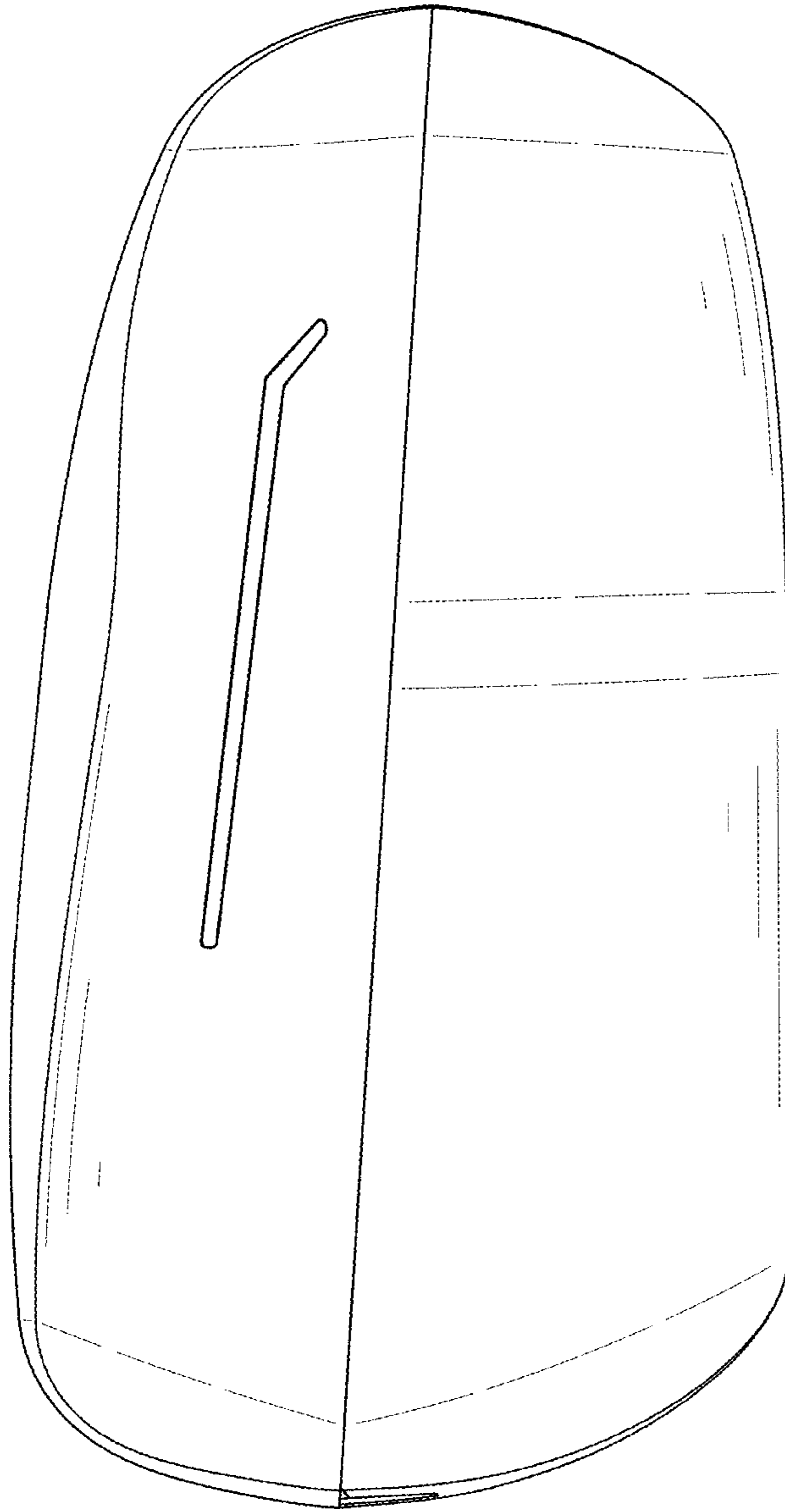


FIG. 5

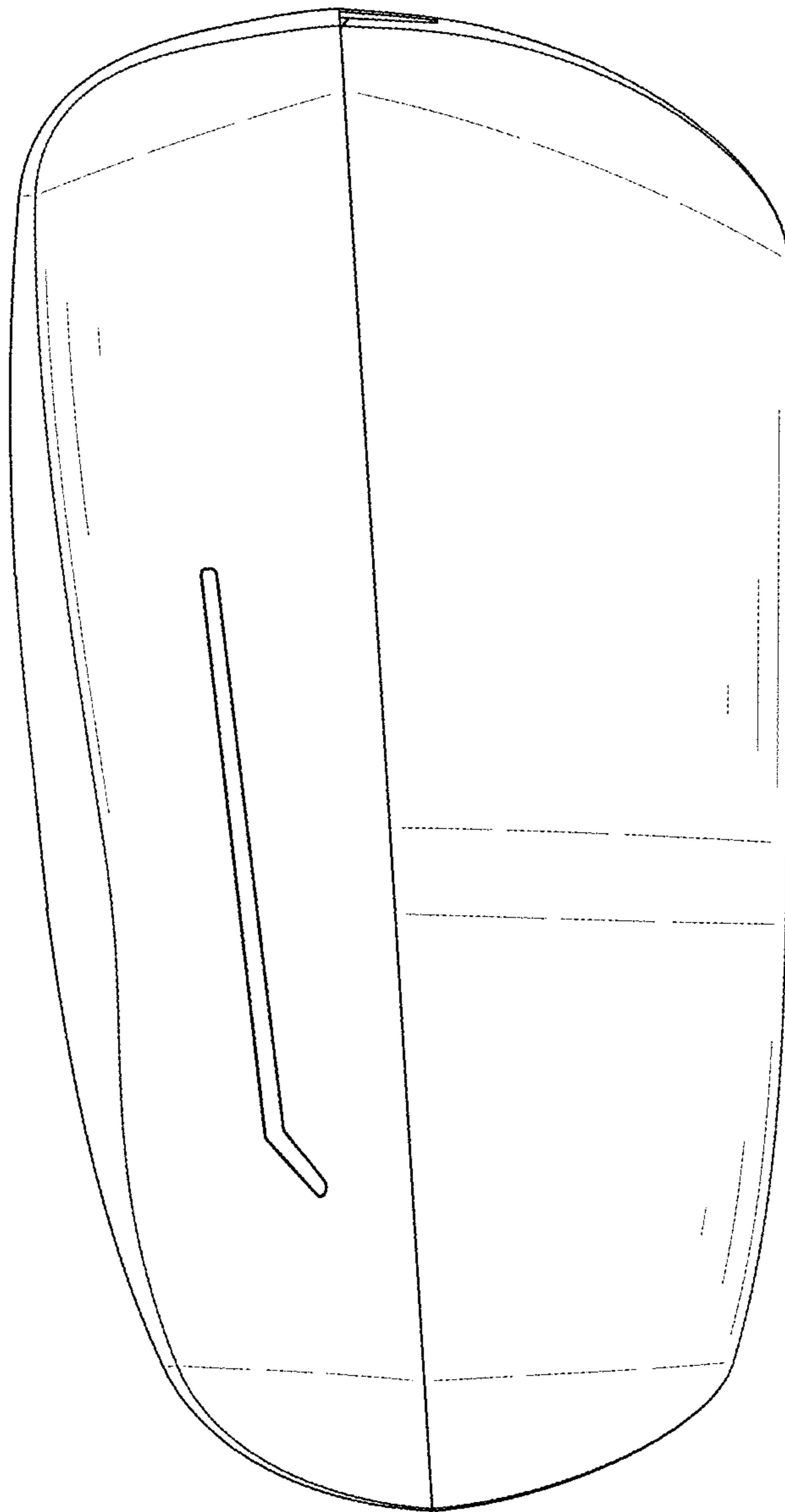


FIG. 6

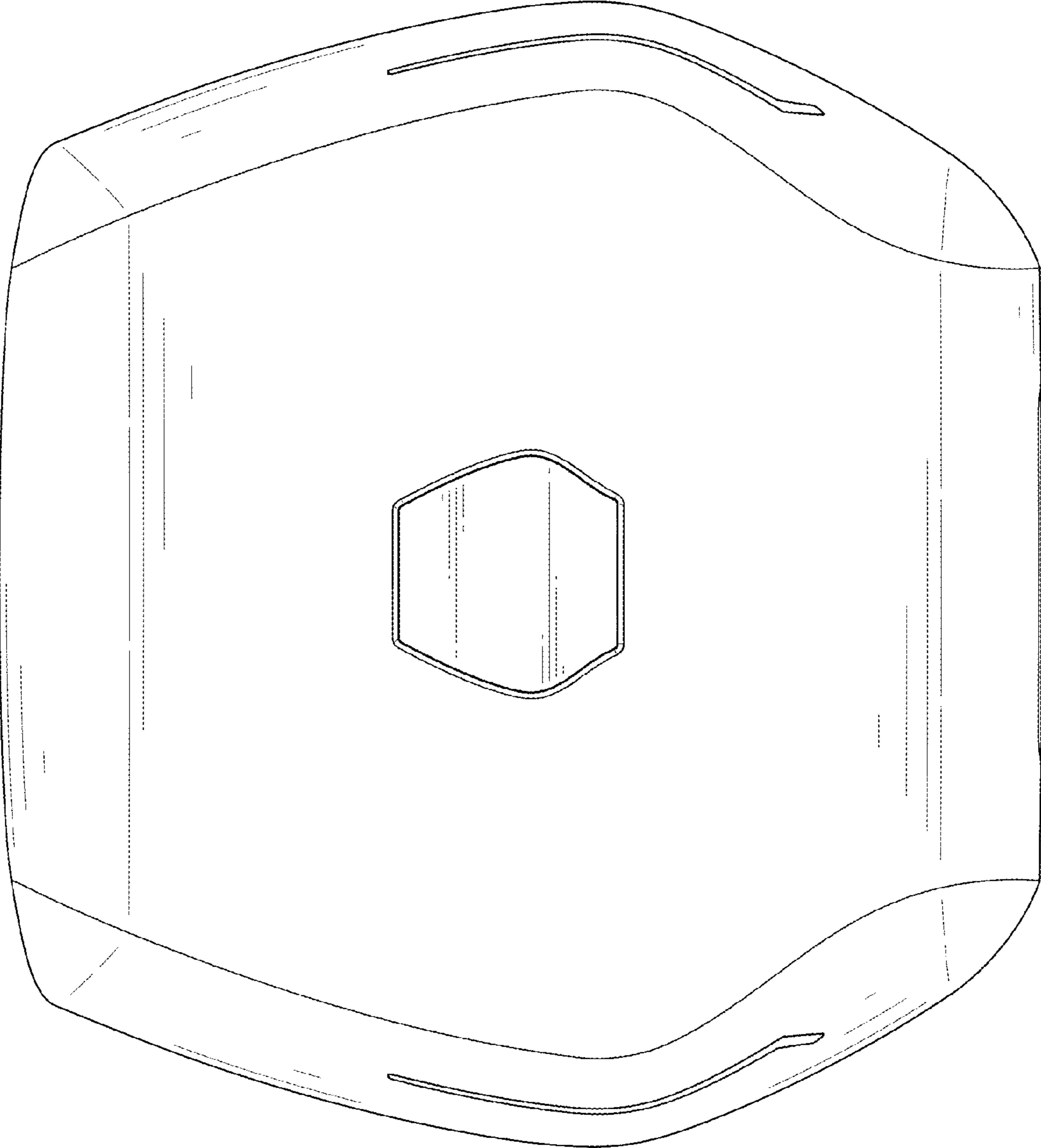


FIG. 7

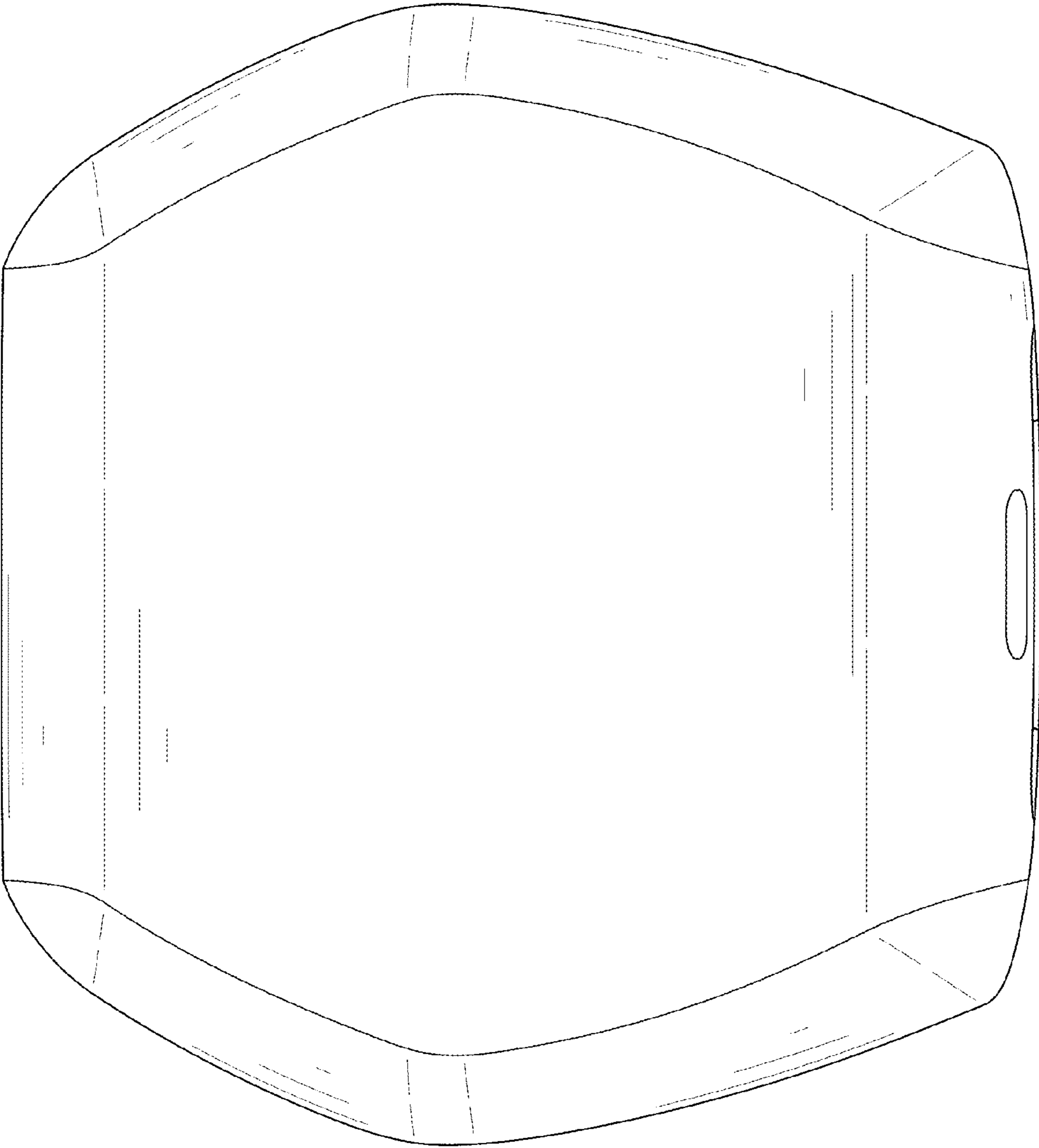


FIG. 8