



US00D912621S

(12) **United States Design Patent**  
**Qiu**

(10) **Patent No.:** **US D912,621 S**

(45) **Date of Patent:** **\*\* Mar. 9, 2021**

(54) **MULTI-PORT CHARGER**

(71) Applicant: **Shenzhen Kai Xing Hui Technology Co., Ltd.**, Shenzhen (CN)

(72) Inventor: **Jiebin Qiu**, Shenzhen (CN)

(\*\*) Term: **15 Years**

(21) Appl. No.: **29/700,284**

(22) Filed: **Aug. 1, 2019**

(51) **LOC (13) Cl.** ..... **13-02**

(52) **U.S. Cl.**  
USPC ..... **D13/108**

(58) **Field of Classification Search**  
USPC ..... D13/103, 107-110, 118, 119, 146, 147,  
D13/153, 155, 184, 199, 154; D32/31;  
D8/356, 358  
CPC ..... Y02E 60/12; H02J 7/025; H02J 7/0042;  
H02J 7/0044; H02J 7/0045; H02J 7/0003;  
H02J 7/0027; H02J 7/0013; H02J 7/0054;  
H02J 7/00; H02J 2001/008; H02J 3/32;  
H02J 3/008; H01F 38/14; H01R 13/6675;  
H01M 2/1022; H01M 2/1055; H01M  
10/44; H01M 10/46; H01M 10/425; B60L  
11/182; B60L 11/1809; B60L 11/1861;  
B60R 16/03

See application file for complete search history.

(56) **References Cited**

**U.S. PATENT DOCUMENTS**

D479,823 S *	9/2003	Andre	.....	D13/110
D574,769 S *	8/2008	Fisher	.....	D13/108
D598,375 S *	8/2009	Nomi	.....	D13/108
D628,152 S *	11/2010	Fujii	.....	D13/108
D727,259 S *	4/2015	Hwang	.....	D13/108
D738,822 S *	9/2015	Stewart	.....	D13/108
D740,749 S *	10/2015	Stewart	.....	D13/108
D756,916 S *	5/2016	Yang	.....	D13/108
D760,647 S *	7/2016	Chen	.....	D13/103
D773,991 S *	12/2016	Liu	.....	D13/107

D780,116 S *	2/2017	Bing	.....	D13/107
D783,619 S *	4/2017	Couture	.....	D14/433
D784,258 S *	4/2017	Vienna	.....	D13/108
D794,028 S *	8/2017	Lin	.....	D14/433
D812,560 S *	3/2018	Xu	.....	D13/107
D820,208 S *	6/2018	Lemelson	.....	D13/110
D820,209 S *	6/2018	Lemelson	.....	D13/110
D859,415 S *	9/2019	Liao	.....	D14/434
D865,667 S *	11/2019	Roberts	.....	D13/108
D866,463 S *	11/2019	Hui	.....	D13/110

(Continued)

**OTHER PUBLICATIONS**

Amazon.com: VOGEK USB Charging Station. Date first available of Sep. 9, 2016. Retrieved from the internet at <<https://www.amazon.com/Charger-Charging-Identification-Compatible-Cellphones/dp/B01IJAOSGY/>>, Dec. 16, 2020. 1 page. (Year: 2016).\*

(Continued)

*Primary Examiner* — Christy Nemeth  
(74) *Attorney, Agent, or Firm* — HYIP

(57) **CLAIM**

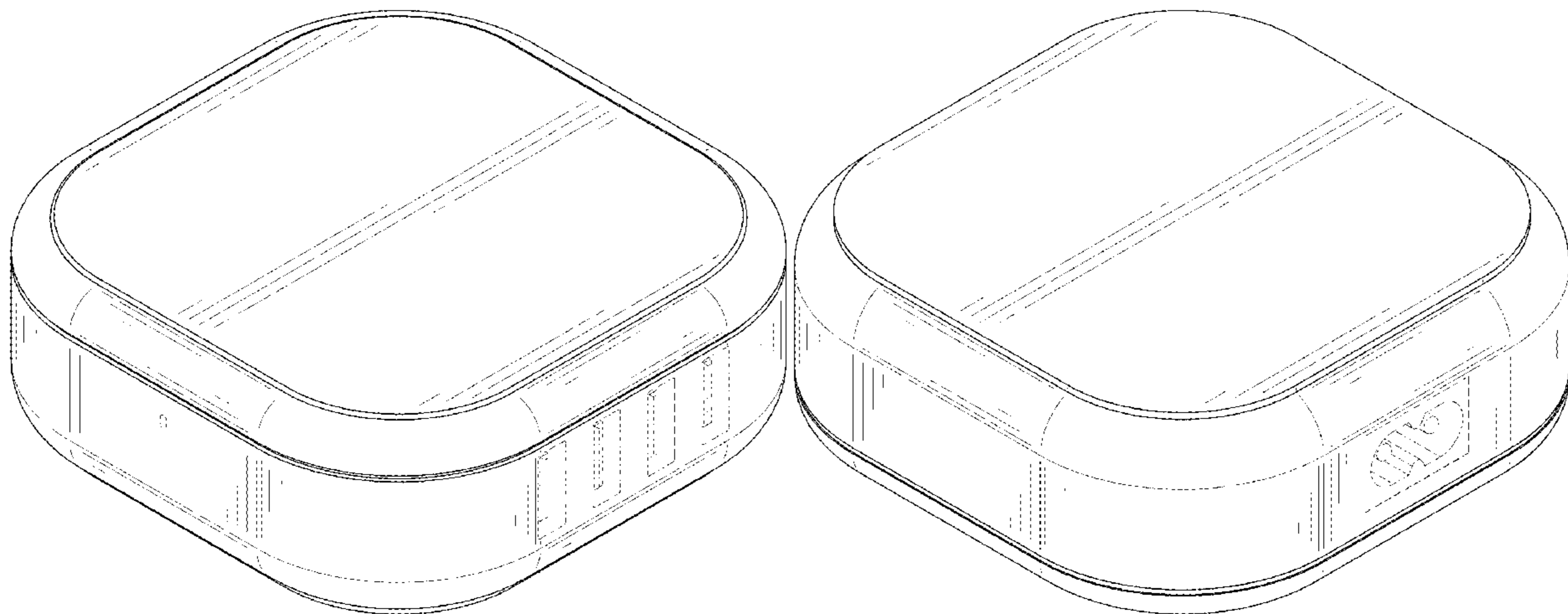
The ornamental design for a multi-port charger, as shown and described.

**DESCRIPTION**

FIG. 1 is a first perspective view of a multi-port charger showing my design;  
FIG. 2 is a second perspective view thereof;  
FIG. 3 is a front view thereof;  
FIG. 4 is a back view thereof;  
FIG. 5 is a left side view thereof;  
FIG. 6 is a right side view thereof;  
FIG. 7 is a top view thereof; and,  
FIG. 8 is a bottom view thereof.

The broken lines shown in the drawings depict portions of the multi-port charger in which the design is embodied that form no part of the claimed design.

**1 Claim, 8 Drawing Sheets**



(56)

**References Cited**

U.S. PATENT DOCUMENTS

D871,328 S \* 12/2019 Yang ..... D13/108  
D901,378 S \* 11/2020 Hung ..... D13/108  
D902,853 S \* 11/2020 Lin ..... D13/108  
2015/0263553 A1 \* 9/2015 Fuller ..... F16B 2/22  
320/114

OTHER PUBLICATIONS

Amazon.com: Techsmarter 60W USB-C PD Multi Port Desktop  
Charger . . . Date first available of Nov. 19, 2018. Retrieved from  
the internet at <<https://www.amazon.com/Techsmarter-Delivery-Desktop-Multiport-Compatible/dp/B07L177Z52/>>, Dec. 16, 2020.  
1 page. (Year: 2018).\*

\* cited by examiner

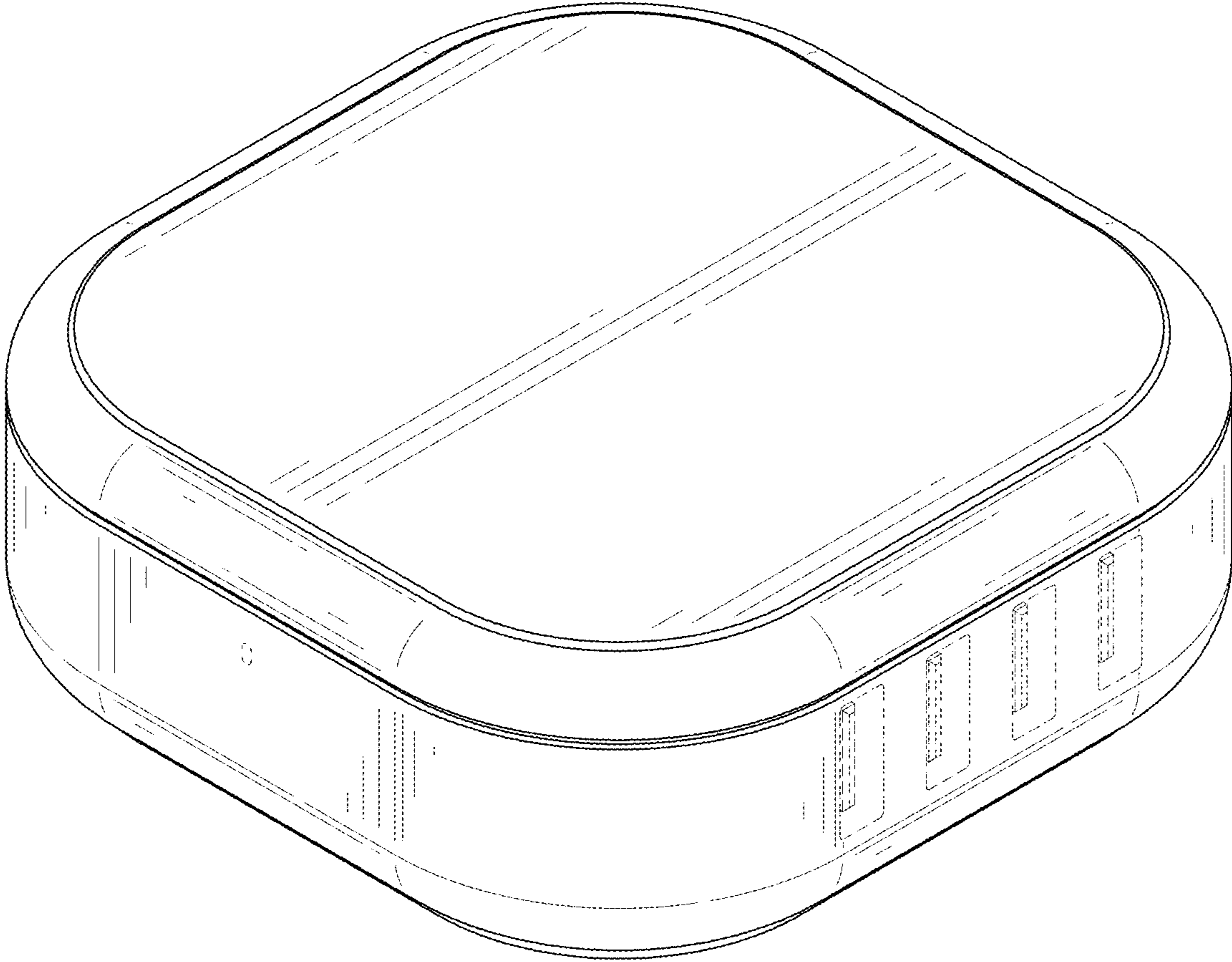


FIG. 1

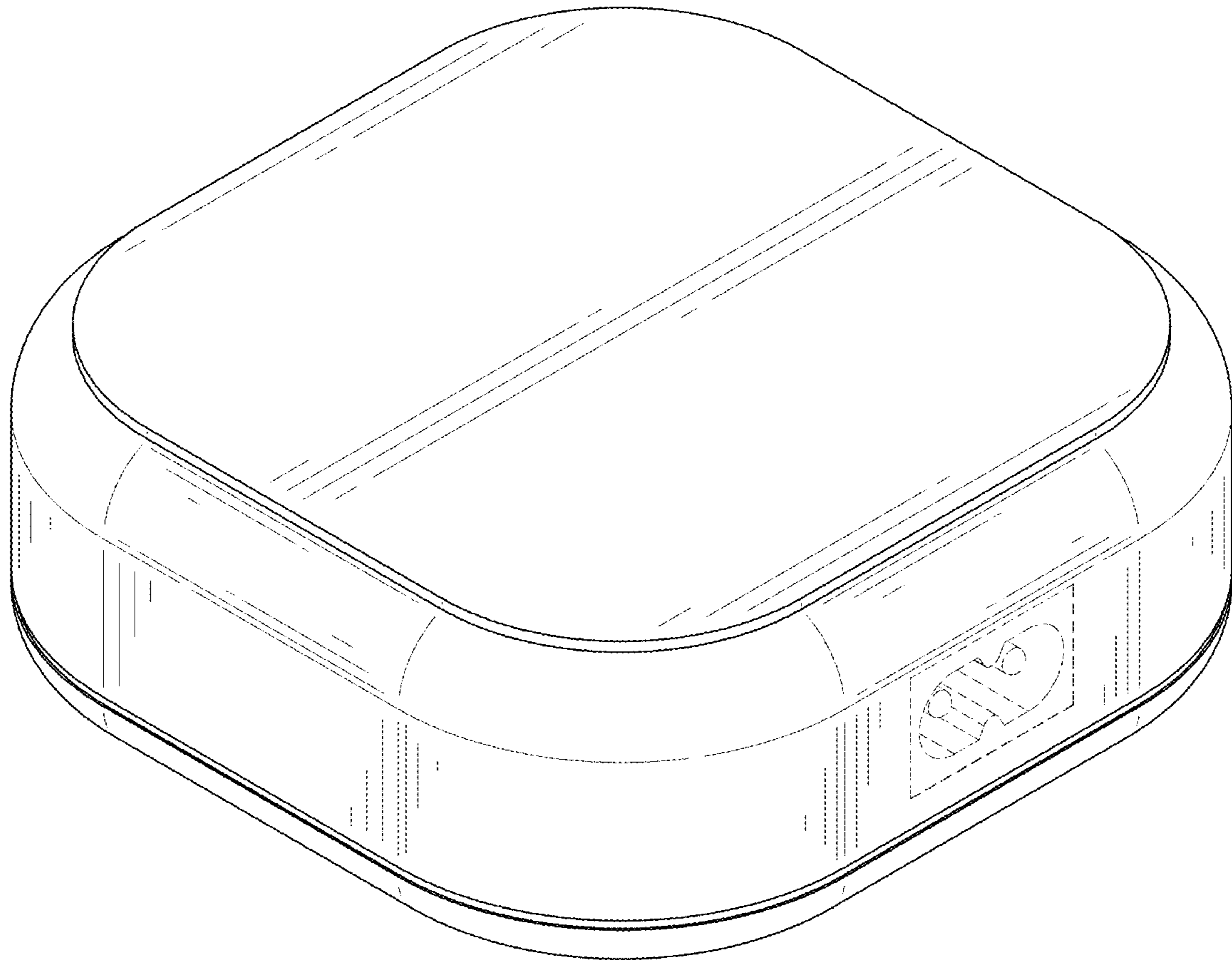


FIG. 2

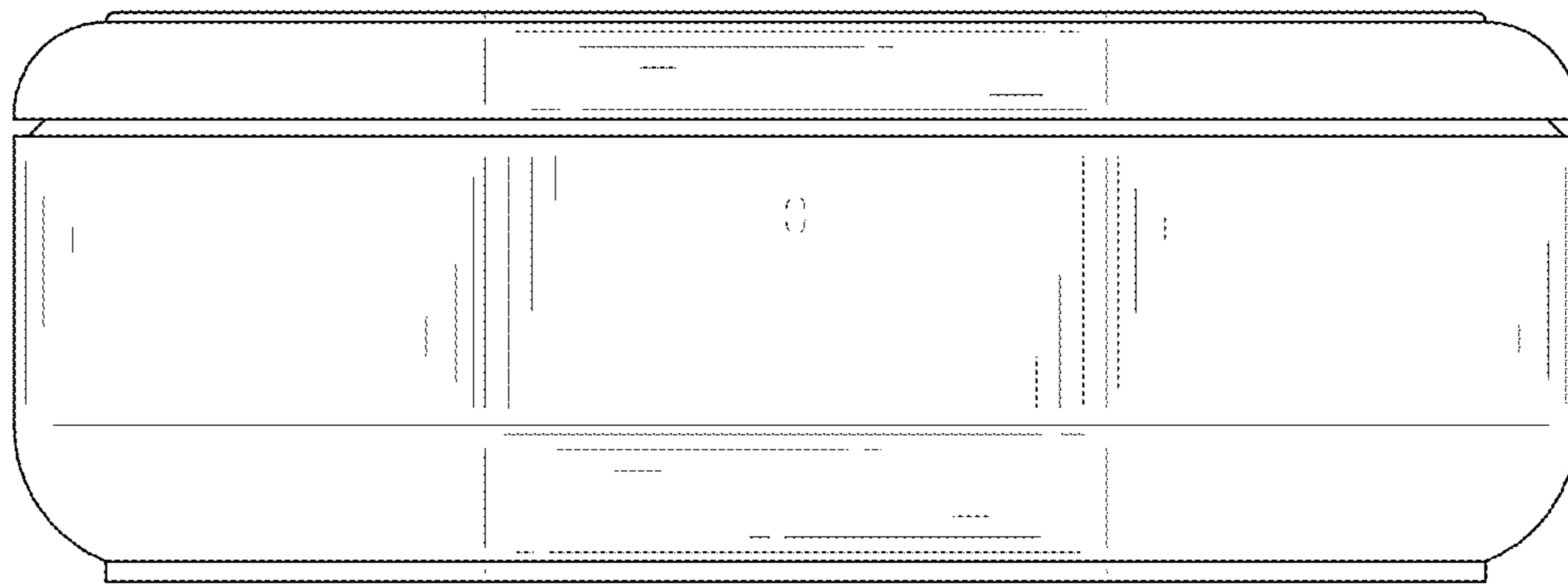


FIG. 3

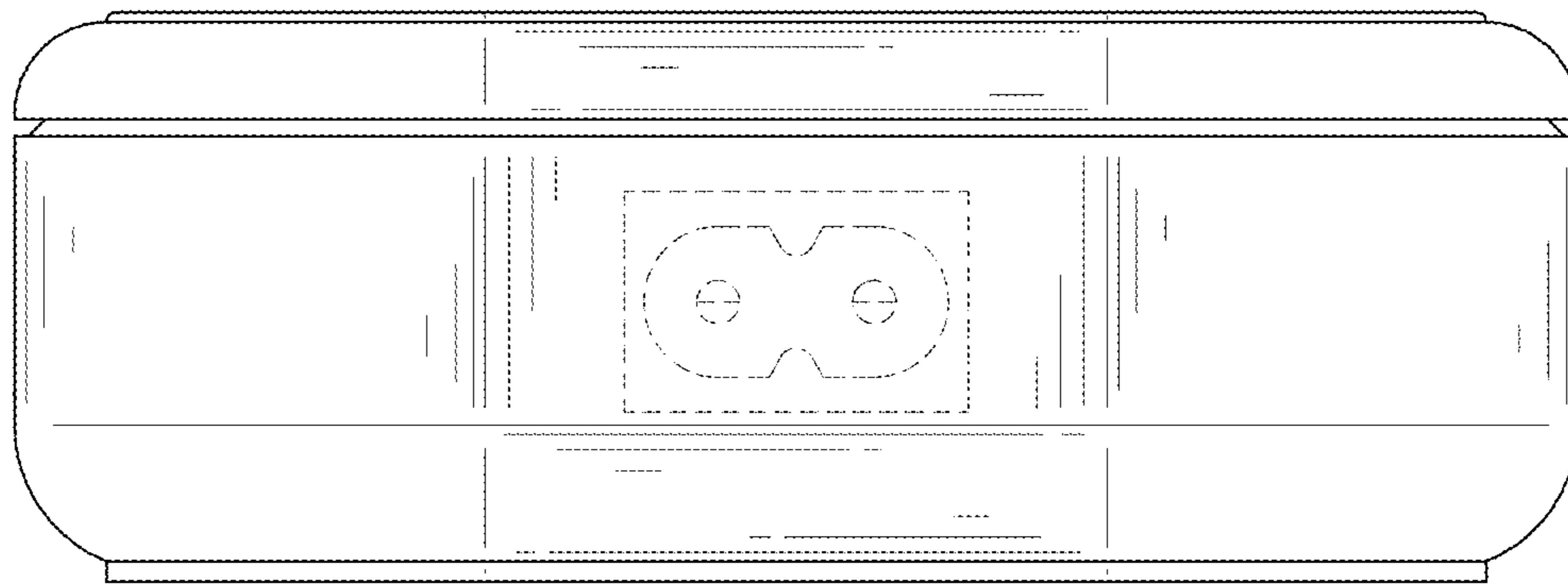


FIG. 4

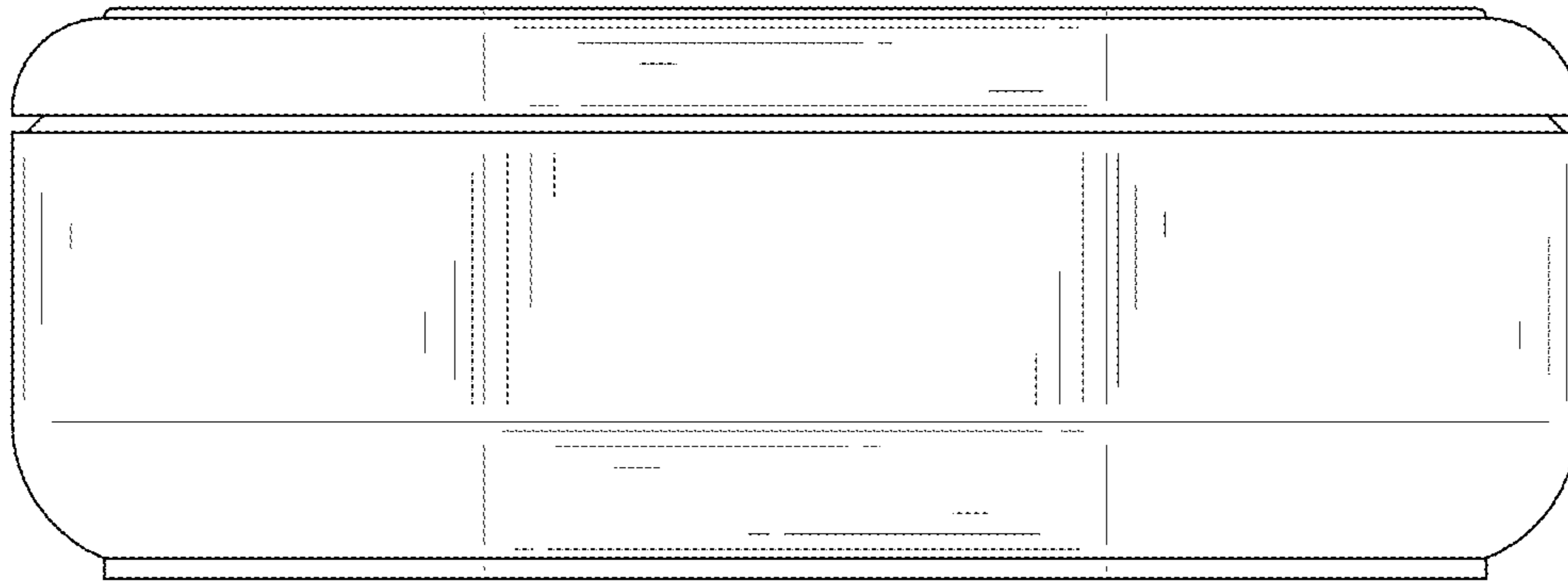


FIG. 5

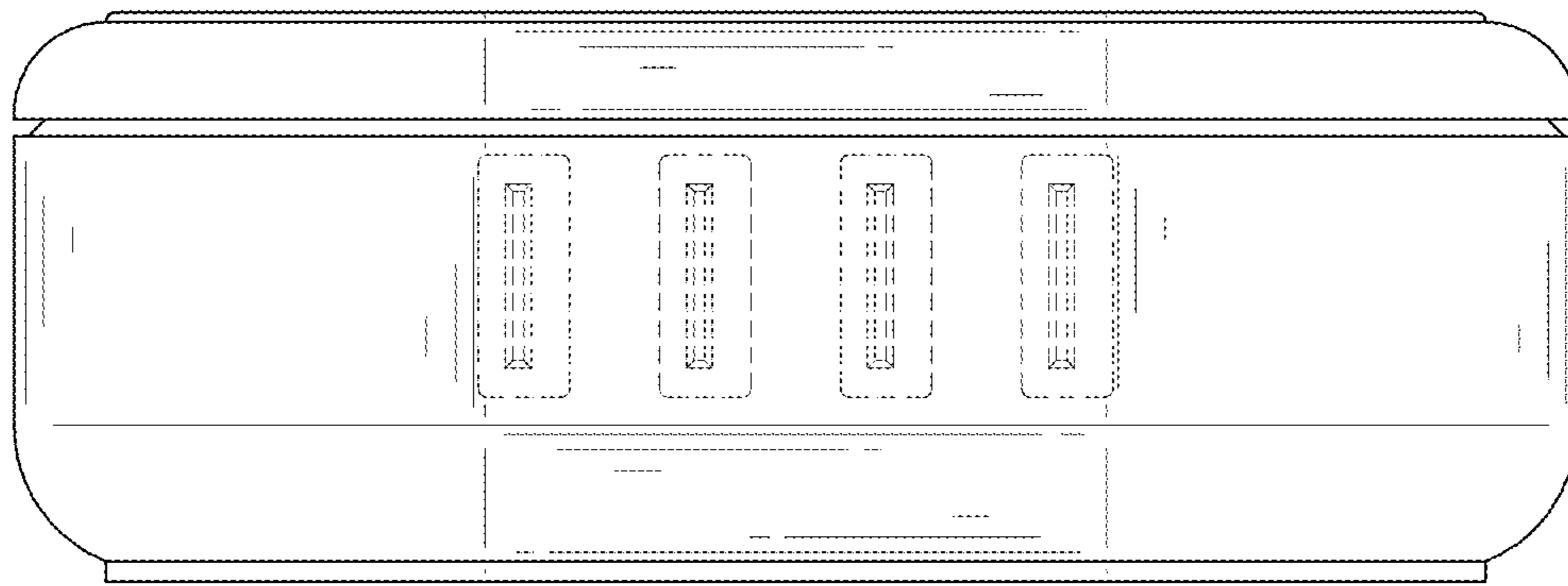


FIG. 6



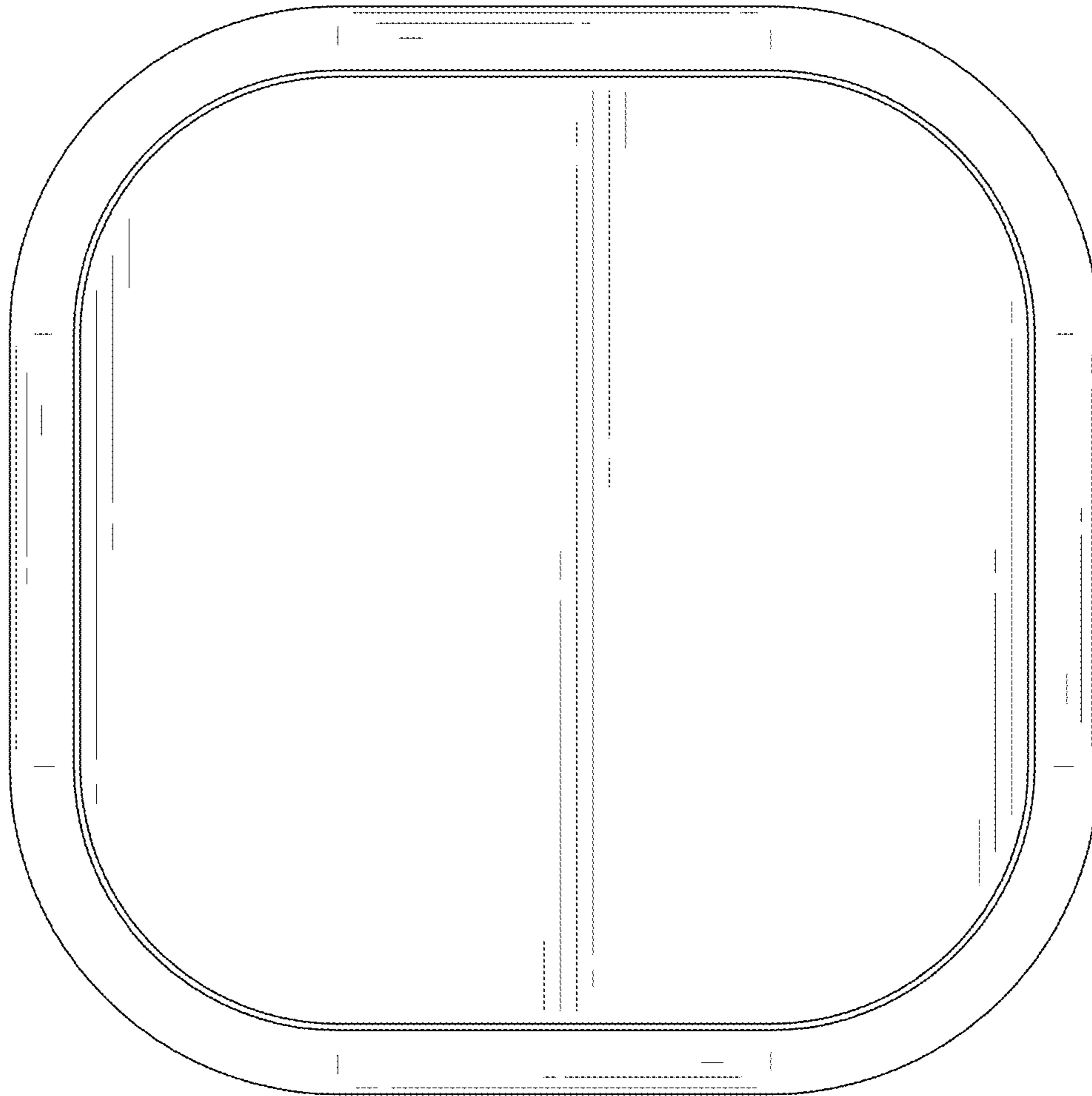


FIG. 7

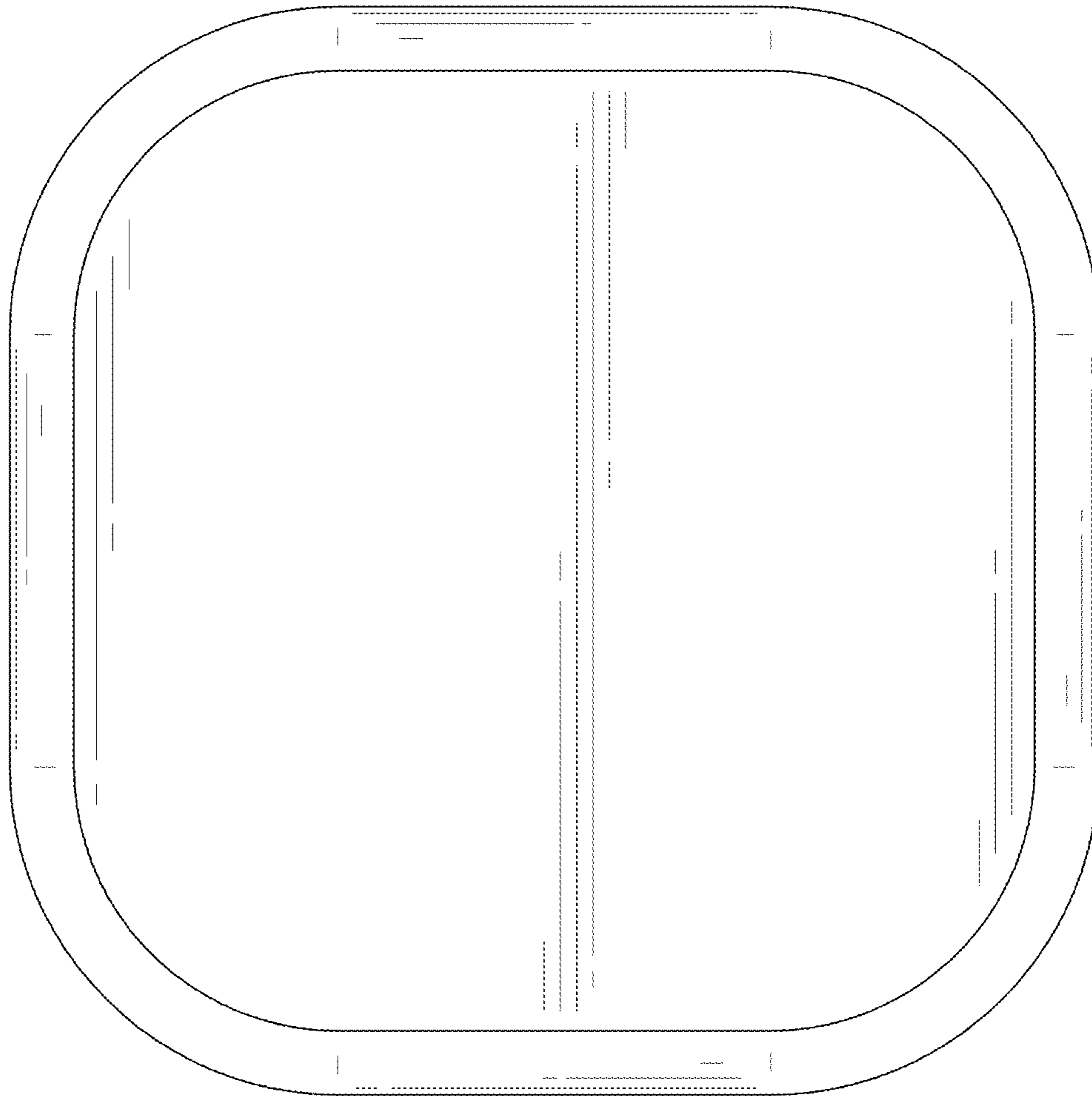


FIG. 8