



US00D912619S

(12) **United States Design Patent** (10) **Patent No.:** **US D912,619 S**  
**Visser-de Lange** (45) **Date of Patent:** **\*\* Mar. 9, 2021**

(54) **CHARGING STATION**  
(71) Applicant: **EV Charged B.V.**, Amsterdam (NL)  
(72) Inventor: **Bertineke M. P. Visser-de Lange**, Schipluiden (NL)  
(73) Assignee: **EV CHARGED B.V.**, Amsterdam (NL)  
(\*\*) Term: **15 Years**  
(21) Appl. No.: **29/688,945**  
(22) Filed: **Apr. 25, 2019**  
(51) **LOC (13) Cl.** ..... **13-02**  
(52) **U.S. Cl.**  
USPC ..... **D13/107**  
(58) **Field of Classification Search**  
USPC ..... D13/103, 107-110, 118-119, 184, 199;  
D14/307  
CPC .... H02J 7/02; H02J 7/14; H02J 7/1438; H02J  
7/342; H02J 7/345; H02J 7/00; H02J  
7/0026; H02J 7/027; H02J 7/0042; H02J  
7/0044; H02J 7/0045; H02J 7/0013; H02J  
7/0003; H02J 2310/00; H02J 2310/40;  
H02J 2310/48  
See application file for complete search history.

D683,306 S \* 5/2013 Lecoanet ..... D13/107  
D683,307 S \* 5/2013 Lecoanet ..... D13/107  
D683,308 S \* 5/2013 Lecoanet ..... D13/107  
D683,697 S \* 6/2013 Lecoanet ..... D13/107  
D710,799 S \* 8/2014 Chin-Ho Kim ..... D13/107  
D711,315 S \* 8/2014 Chin-Ho Kim ..... D13/107  
D720,285 S \* 12/2014 Gilomen ..... D13/107  
D729,157 S \* 5/2015 Gilomen ..... D13/107  
D729,158 S \* 5/2015 Gilomen ..... D13/107  
D733,647 S \* 7/2015 Farrell ..... D13/107  
D771,562 S \* 11/2016 Dolle ..... D13/107  
D778,818 S \* 2/2017 Bruining ..... D13/107  
D838,668 S \* 1/2019 Westfall ..... D13/107  
D868,687 S \* 12/2019 da Silva ..... D13/107  
D873,768 S \* 1/2020 Minkyo ..... D13/107  
D876,341 S \* 2/2020 Tomasson ..... D13/107  
D889,397 S \* 7/2020 Bouman ..... D13/107  
2015/0077239 A1\* 3/2015 Litjen ..... H02J 7/0027  
340/455  
2017/0349057 A1\* 12/2017 Namba ..... B60R 16/03

\* cited by examiner

*Primary Examiner* — Rosemary K Tarcza  
(74) *Attorney, Agent, or Firm* — DLA Piper LLP (US)

(57) **CLAIM**

The ornamental design for a charging station, as shown and described.

**DESCRIPTION**

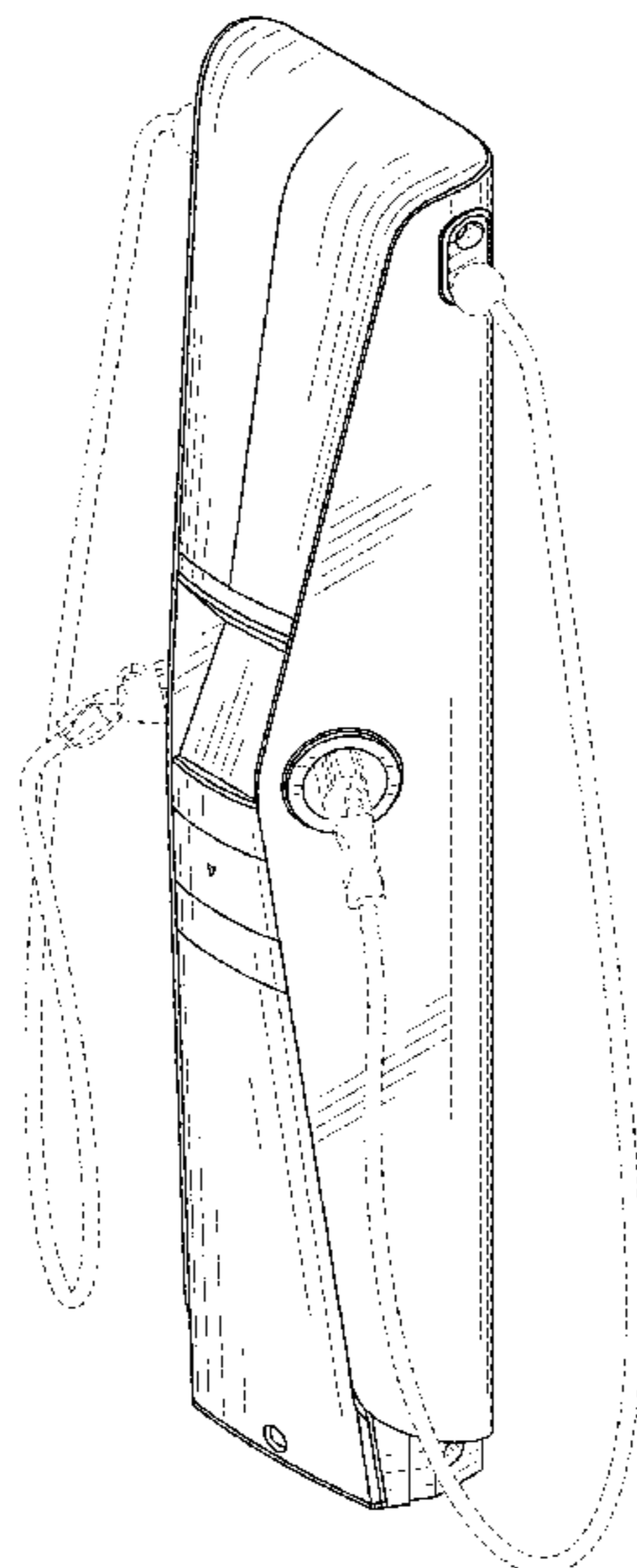
FIG. 1 is a perspective top view of the charging station.  
FIG. 2 is a front view thereof;  
FIG. 3 is a back view thereof;  
FIG. 4 is a right side view thereof;  
FIG. 5 is a left side view thereof; and,  
FIG. 6 is a top view thereof.  
The bottom view, which is not illustrated, has no ornamental features and does not form part of the claimed design.  
The broken lines in the drawings represent portions of the charging station that form no part of the claimed design.

**1 Claim, 5 Drawing Sheets**

(56) **References Cited**

U.S. PATENT DOCUMENTS

D628,960 S \* 12/2010 Shimizu ..... D13/107  
D647,053 S \* 10/2011 Gotou ..... D13/107  
D654,430 S \* 2/2012 Demers ..... D13/107  
D654,858 S \* 2/2012 Salazar ..... D13/107  
D654,861 S \* 2/2012 Holthusen ..... D13/107  
D659,635 S \* 5/2012 Hou ..... D13/107  
D669,026 S \* 10/2012 Oda ..... D13/107  
D669,428 S \* 10/2012 Li ..... D13/107  
D672,714 S \* 12/2012 Brandys ..... D13/107  
D674,335 S \* 1/2013 Yamashita ..... D13/107  
D676,376 S \* 2/2013 Yamada ..... D13/107



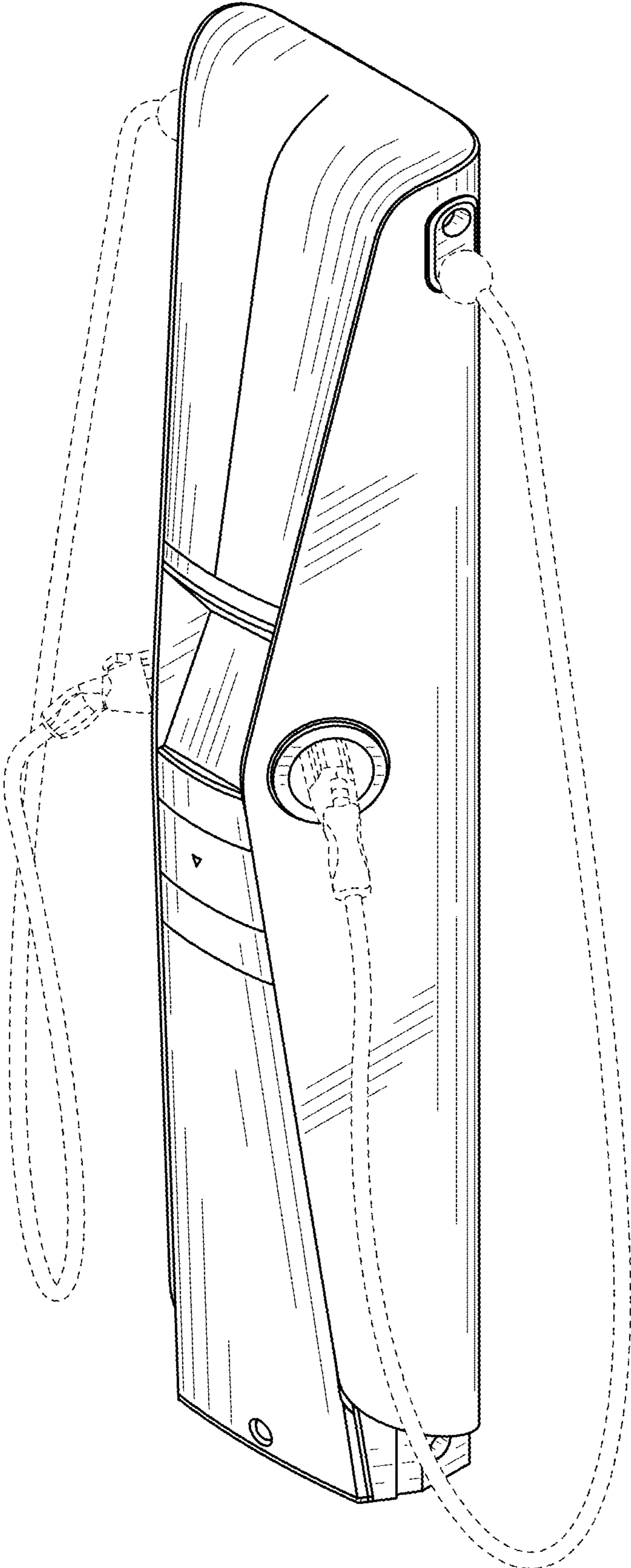


FIG. 1

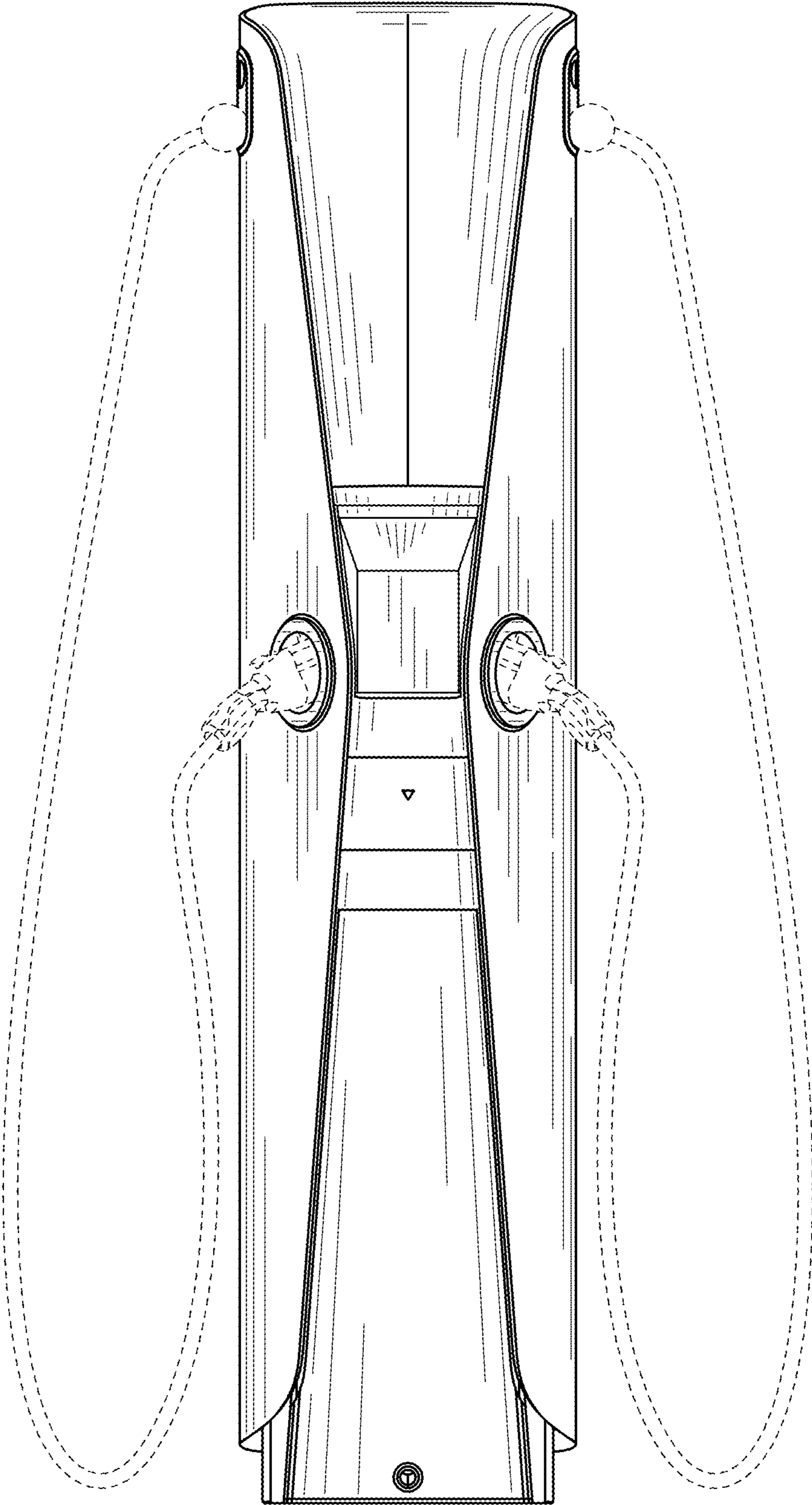


FIG. 2

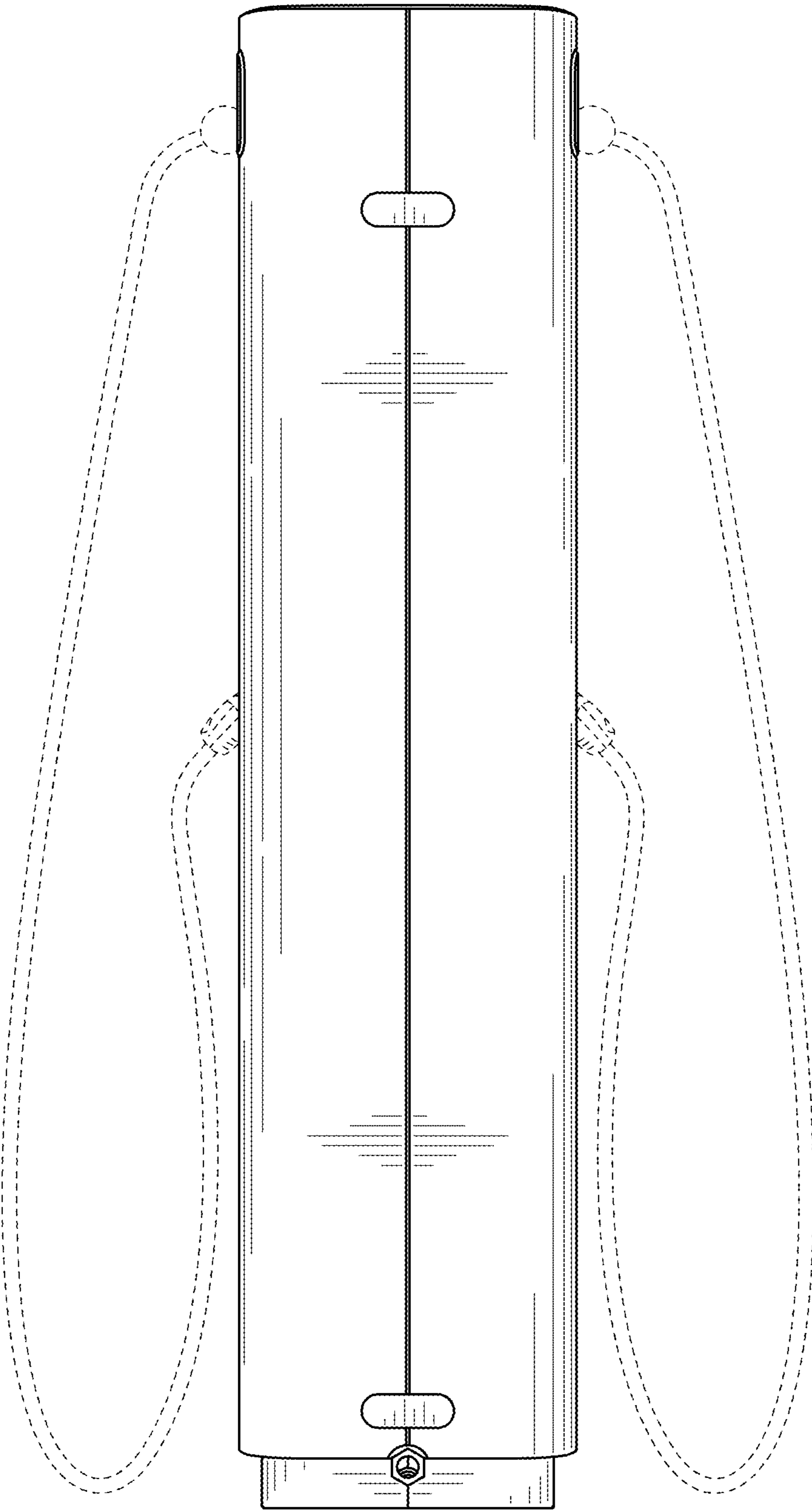


FIG. 3

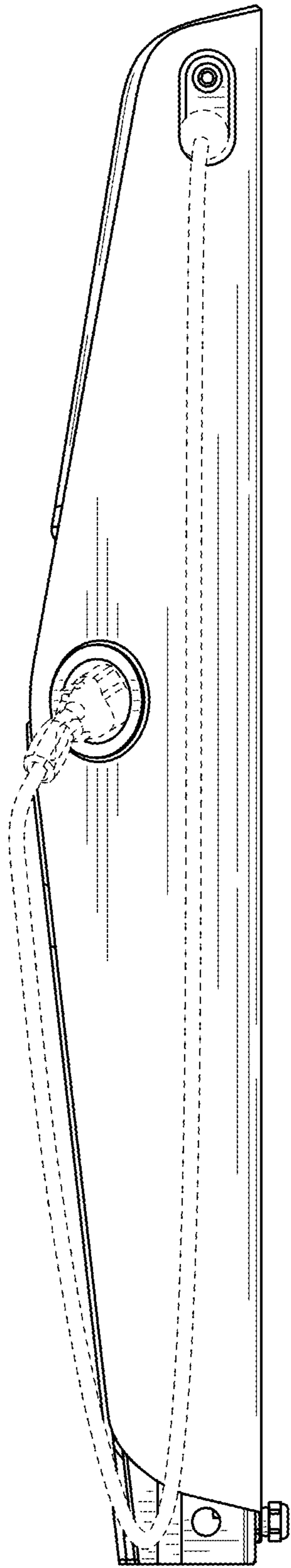


FIG. 4

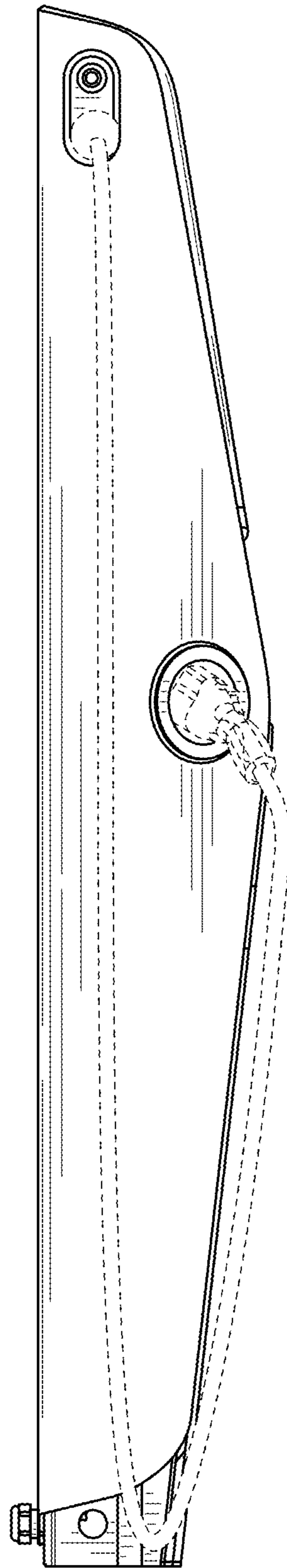


FIG. 5

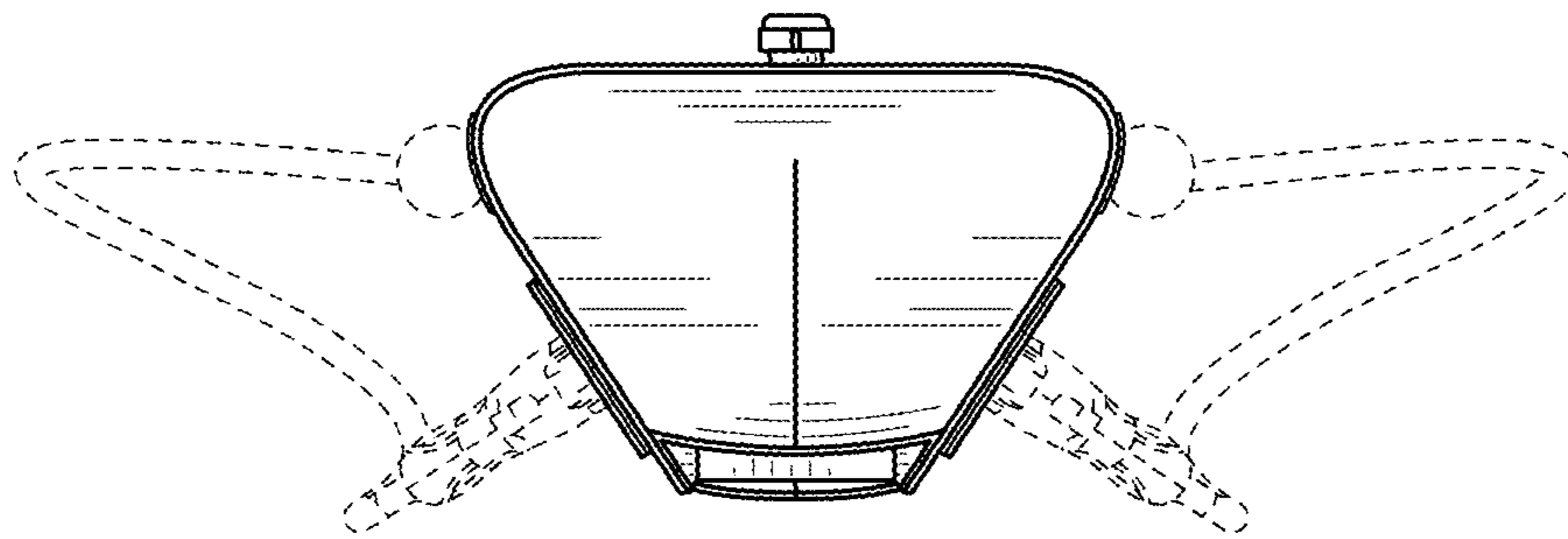


FIG. 6