



US00D912617S

(12) **United States Design Patent**  
**Qiao**

(10) **Patent No.:** **US D912,617 S**  
(45) **Date of Patent:** **\*\* Mar. 9, 2021**

- (54) **RECHARGEABLE BATTERY**
- (71) Applicant: **Xi Lu Qiao**, Guangdong (CN)
- (72) Inventor: **Xi Lu Qiao**, Guangdong (CN)
- (73) Assignee: **JOLCOM CORPORATION**,  
Anaheim, CA (US)
- (\*\*) Term: **15 Years**
- (21) Appl. No.: **29/740,846**
- (22) Filed: **Jul. 7, 2020**
- (51) **LOC (13) Cl.** ..... **13-02**
- (52) **U.S. Cl.**  
USPC ..... **D13/103**
- (58) **Field of Classification Search**  
USPC ..... D13/102–106, 118–119, 184, 199;  
D9/435, 443  
CPC ..... Y02E 60/10; H01M 2/02; H01M 2/022;  
H01M 2/0202; H01M 2/0207; H01M  
2/0212; H01M 2/1016; H01M 2/105;  
H01M 2/1061; H01M 2/06  
See application file for complete search history.

- (56) **References Cited**  
U.S. PATENT DOCUMENTS
- |              |         |           |       |         |
|--------------|---------|-----------|-------|---------|
| D323,642 S * | 2/1992  | Liao      | ..... | D13/103 |
| D383,435 S * | 9/1997  | Svetlik   | ..... | D13/103 |
| D528,502 S * | 9/2006  | Fleetwood | ..... | D13/103 |
| D531,117 S * | 10/2006 | Schrick   | ..... | D13/103 |
| D547,264 S * | 7/2007  | Kondo     | ..... | D13/103 |
| D575,734 S * | 8/2008  | Groh      | ..... | D13/119 |
| D591,232 S * | 4/2009  | Zhuang    | ..... | D13/103 |
| D593,488 S * | 6/2009  | Harrison  | ..... | D13/103 |
| D597,482 S * | 8/2009  | Kondo     | ..... | D13/103 |
| D598,844 S * | 8/2009  | Harrison  | ..... | D13/103 |
| D604,235 S * | 11/2009 | Tarter    | ..... | D13/103 |
| D615,038 S * | 5/2010  | Heine     | ..... | D13/119 |

- |              |         |                |       |         |
|--------------|---------|----------------|-------|---------|
| D615,925 S * | 5/2010  | Heine          | ..... | D13/119 |
| D617,732 S * | 6/2010  | Heine          | ..... | D13/119 |
| D623,589 S * | 9/2010  | Tarter         | ..... | D13/103 |
| D633,034 S * | 2/2011  | Heine          | ..... | D13/103 |
| D633,035 S * | 2/2011  | Heine          | ..... | D13/103 |
| D635,507 S * | 4/2011  | Ueda           | ..... | D13/103 |
| D682,195 S * | 5/2013  | Aglassinger    | ..... | D13/103 |
| D686,155 S * | 7/2013  | Nguyen         | ..... | D13/103 |
| D699,672 S * | 2/2014  | Kosugi         | ..... | D13/103 |
| D712,347 S * | 9/2014  | Awiszus et al. | ..... |         |
| D740,222 S * | 10/2015 | Tang           | ..... | D13/103 |
| D763,788 S * | 8/2016  | Bakker         | ..... |         |
| D770,374 S * | 11/2016 | He             | ..... | D13/103 |
| D773,389 S * | 12/2016 | Miller         | ..... | D13/103 |
| D818,949 S * | 5/2018  | Dunkin et al.  | ..... |         |
| D841,573 S * | 2/2019  | Tyrrell        | ..... | D13/103 |
| D841,574 S * | 2/2019  | Ma et al.      | ..... |         |
| D869,387 S * | 12/2019 | Ensing         | ..... | D13/103 |
| D875,668 S * | 2/2020  | Jiao           | ..... | D13/103 |
| D882,510 S * | 4/2020  | Theis          | ..... |         |
- (Continued)

Primary Examiner — Rosemary K Tarcza

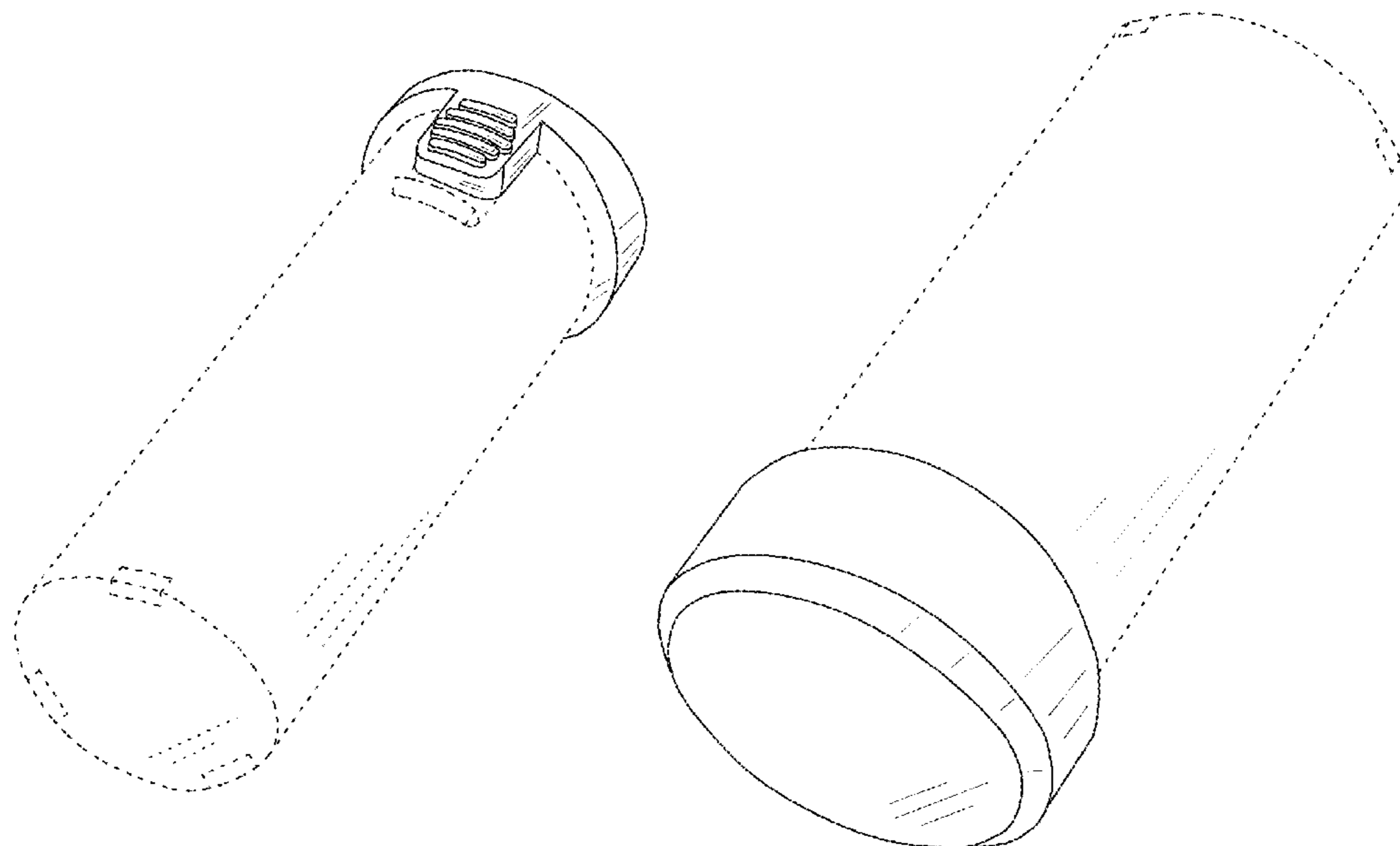
(57) **CLAIM**

The ornamental design for a rechargeable battery, as shown and described.

**DESCRIPTION**

FIG. 1 is a bottom perspective view of a rechargeable battery according to the present invention;  
 FIG. 2 is a top perspective view thereof;  
 FIG. 3 is a front elevation view thereof;  
 FIG. 4 is a rear elevation view thereof;  
 FIG. 5 is a left side view thereof, the right side view being mirror image thereof;  
 FIG. 6 is a top side view thereof; and,  
 FIG. 7 is a bottom side view thereof.  
 The broken lines in the drawings are for the purpose of illustrating portions of the rechargeable battery that form no part of the claimed design.

**1 Claim, 7 Drawing Sheets**



(56)

**References Cited**

U.S. PATENT DOCUMENTS

D889,401 S \* 7/2020 Li ..... D13/108  
D893,419 S \* 8/2020 Liao ..... D13/108

\* cited by examiner

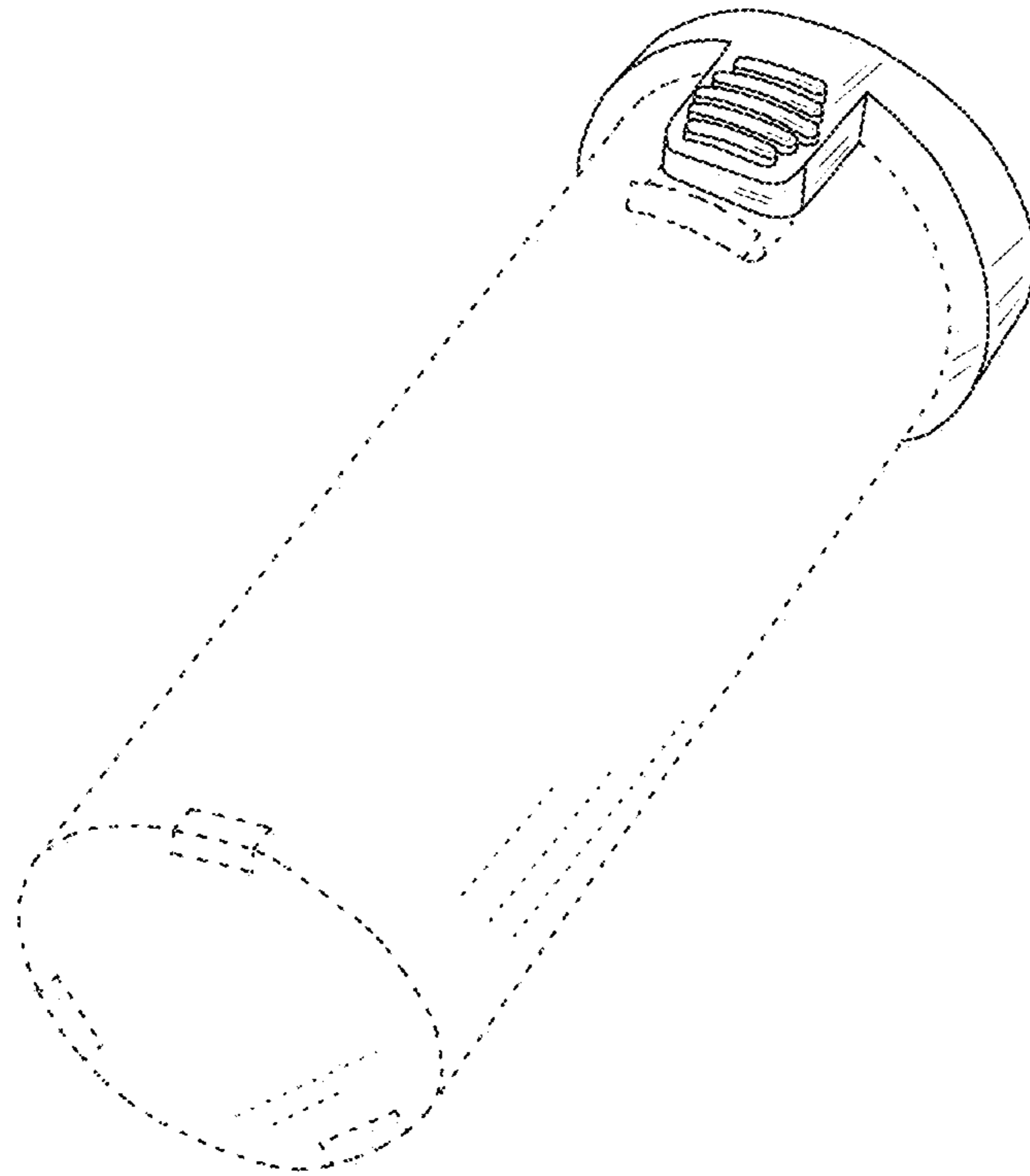


FIG. 1

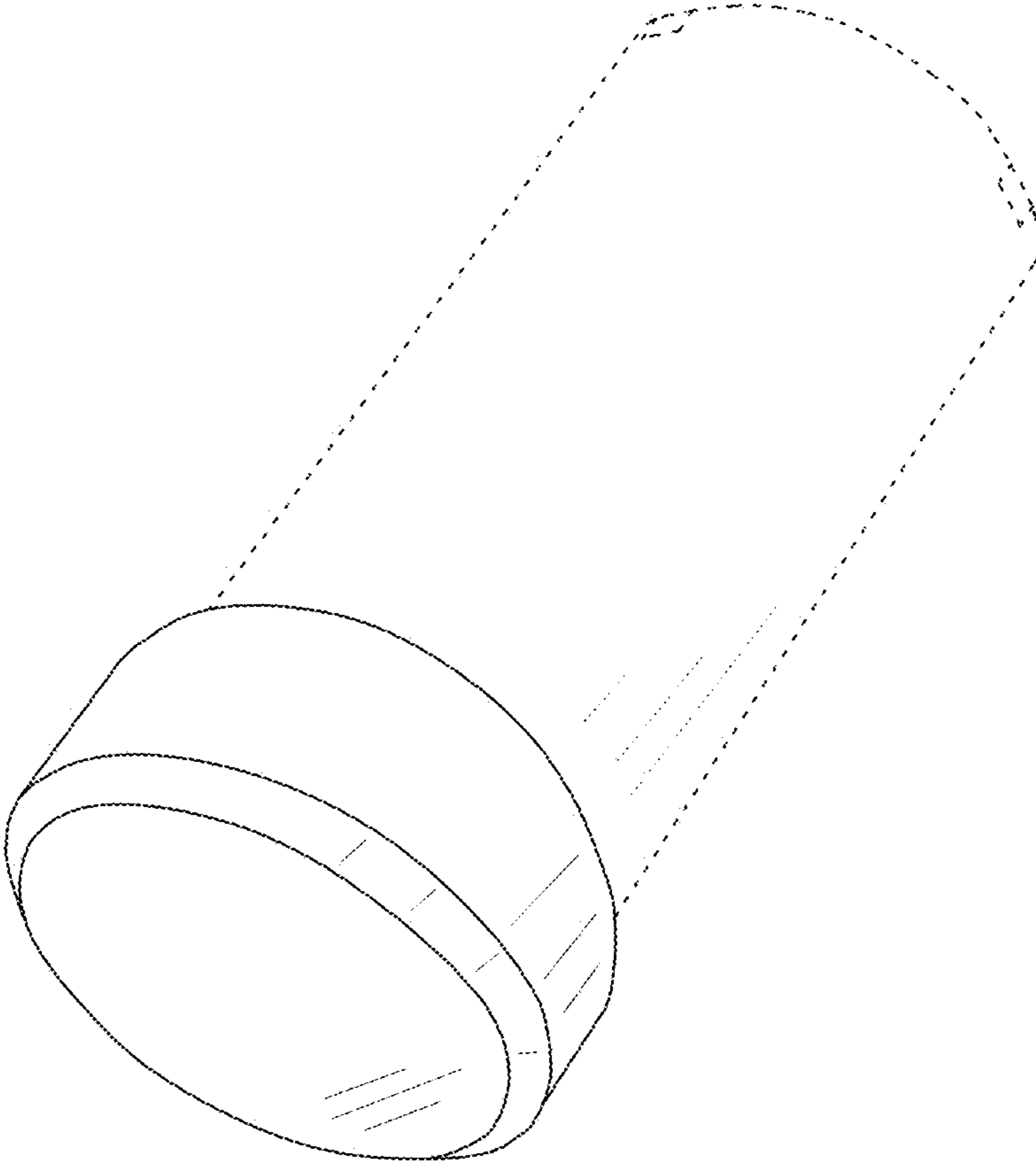


FIG. 2

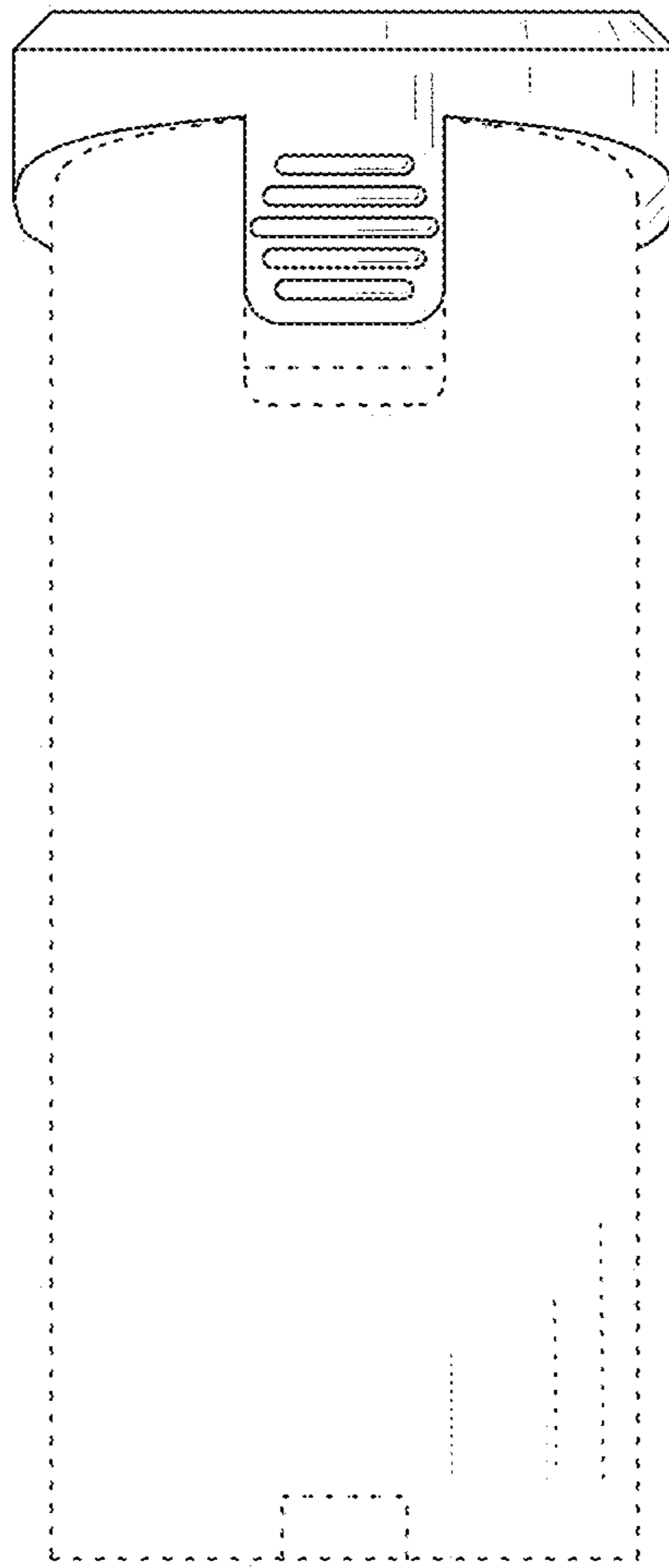


FIG. 3

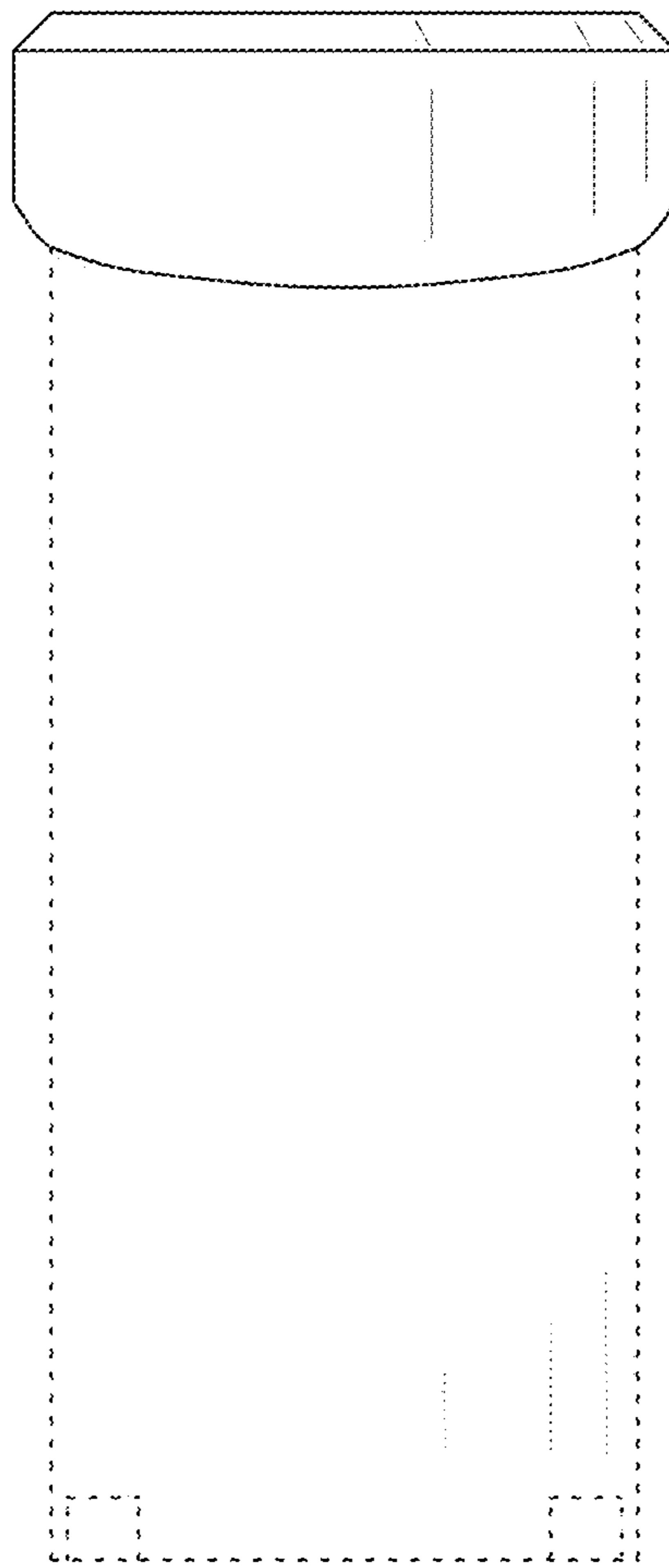


FIG. 4

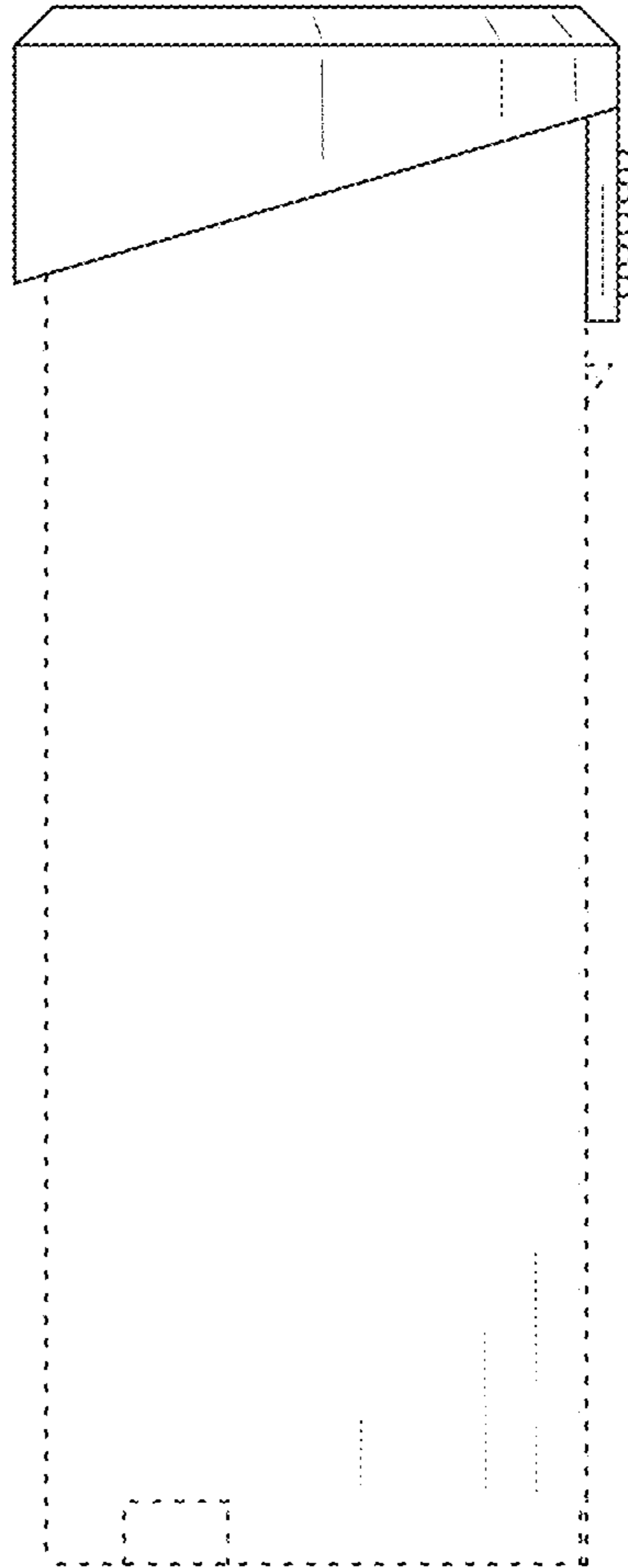


FIG. 5

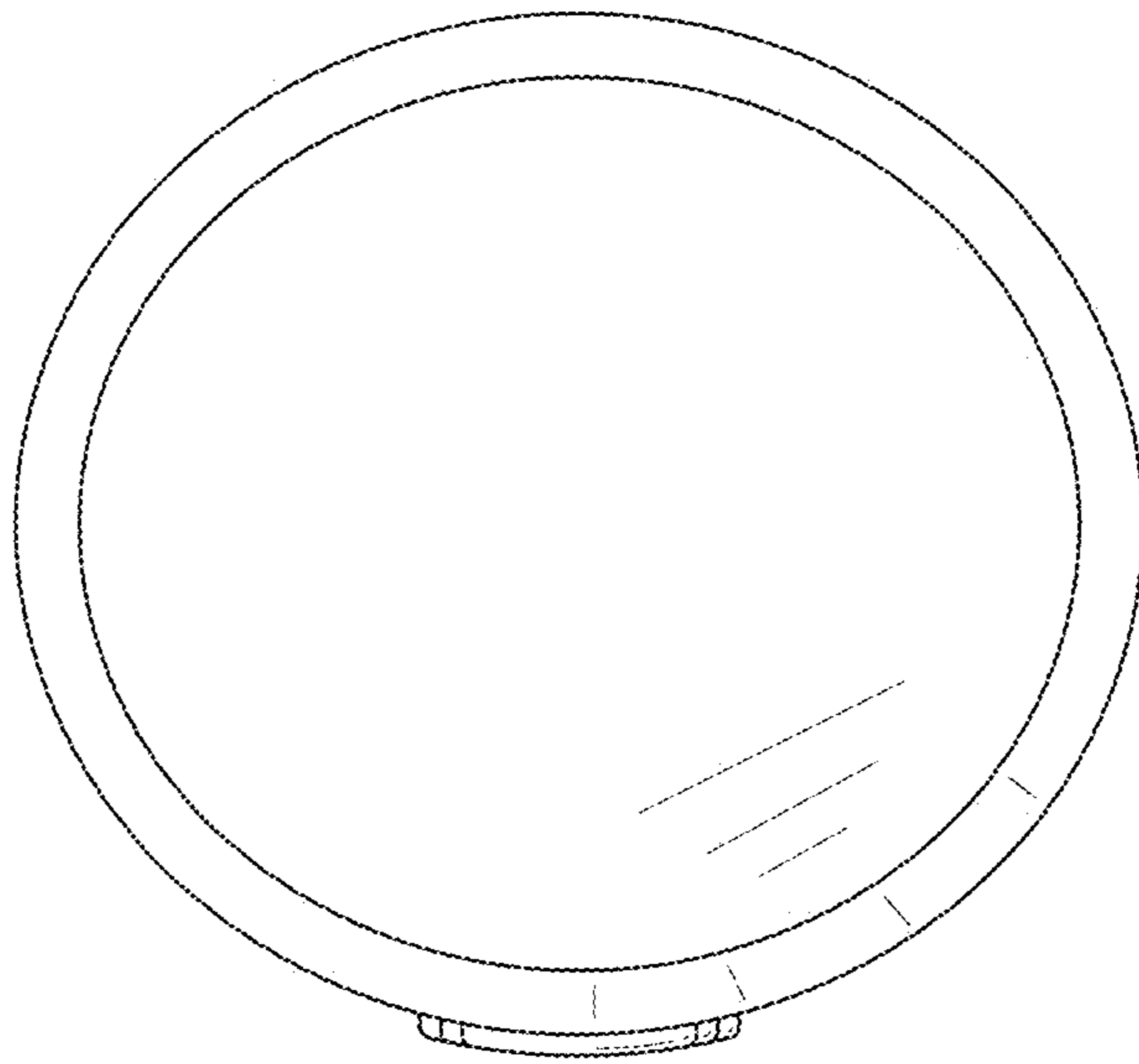


FIG. 6



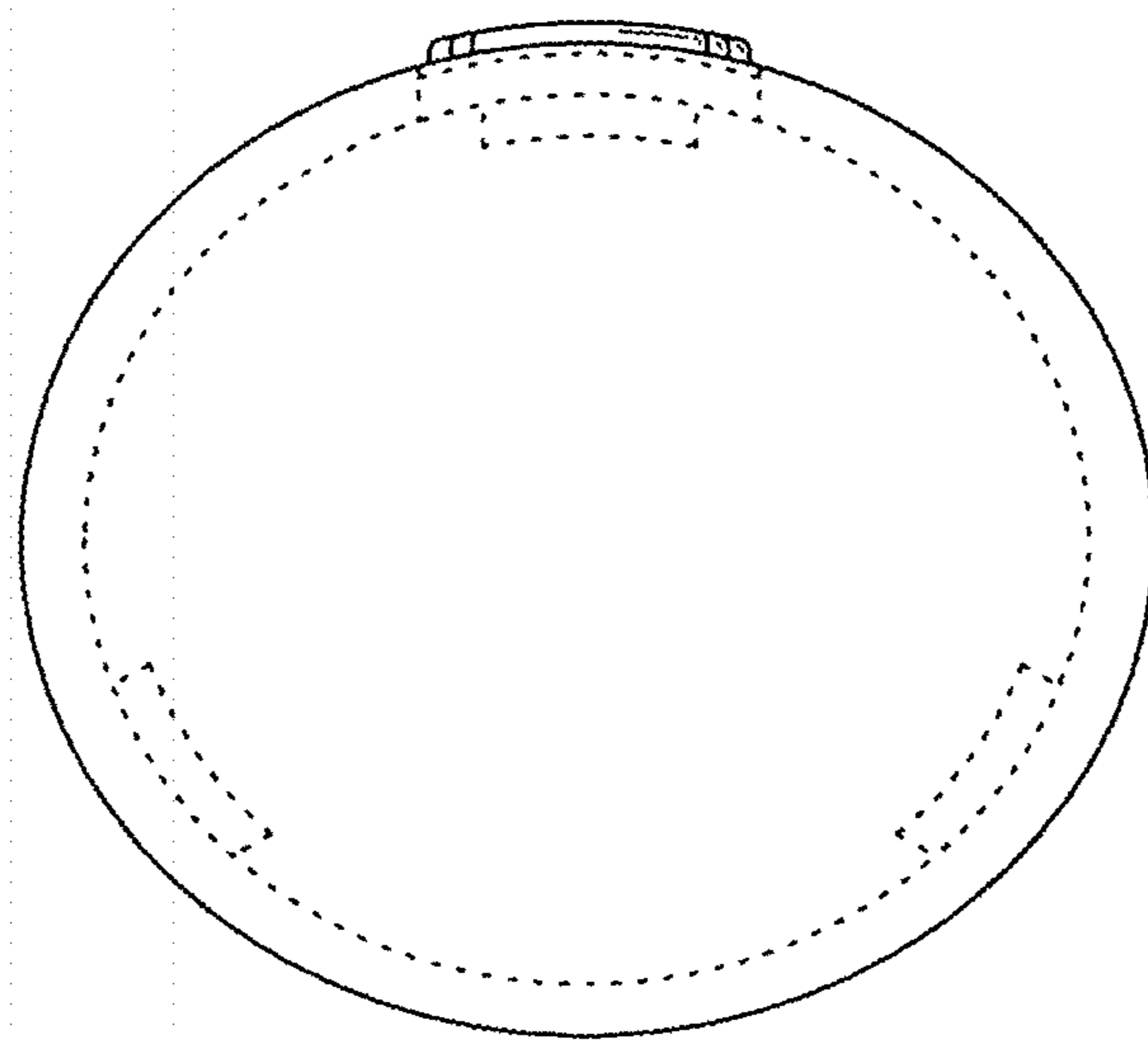


FIG. 7