



US00D912615S

(12) **United States Design Patent**
Li et al.

(10) **Patent No.:** **US D912,615 S**
(45) **Date of Patent:** **** Mar. 9, 2021**

(54) **BATTERY**

H01R 13/6675; Y02T 10/7005; Y02T 10/705; Y02T 10/7088

(71) Applicant: **GLOBE (JIANGSU) CO., LTD.**,
Jiangsu (CN)

See application file for complete search history.

(72) Inventors: **Jiatao Li**, Jiangsu (CN); **Yangping Qiu**, Jiangsu (CN)

(56) **References Cited**

(73) Assignee: **Globe (Jiangsu) Co., Ltd.**, Changzhou (CN)

U.S. PATENT DOCUMENTS

(**) Term: **15 Years**

D477,811 S *	7/2003	Niwa	D13/103
D481,672 S *	11/2003	Niwa	D13/103
D589,440 S *	3/2009	Van Wambeke	D13/103
D597,931 S *	8/2009	Aglassinger	D13/103
D597,932 S *	8/2009	Aglassinger	D13/103
D597,933 S *	8/2009	Aglassinger	D13/103
D604,695 S *	11/2009	Aglassinger	D13/103
D622,661 S *	8/2010	Yamada	D13/103
D633,036 S *	2/2011	Murray	D13/103
D639,730 S *	6/2011	Kawase	D13/103
D640,975 S *	7/2011	Okuda	D13/103
D643,809 S *	8/2011	Okuda	D13/103

(21) Appl. No.: **29/704,722**

(22) Filed: **Sep. 6, 2019**

(30) **Foreign Application Priority Data**

Mar. 7, 2019 (CN) 201930091781.3

(Continued)

(51) **LOC (13) Cl.** **13-02**

Primary Examiner — Christy Nemeth

(52) **U.S. Cl.**
USPC **D13/103**

(57) **CLAIM**

(58) **Field of Classification Search**

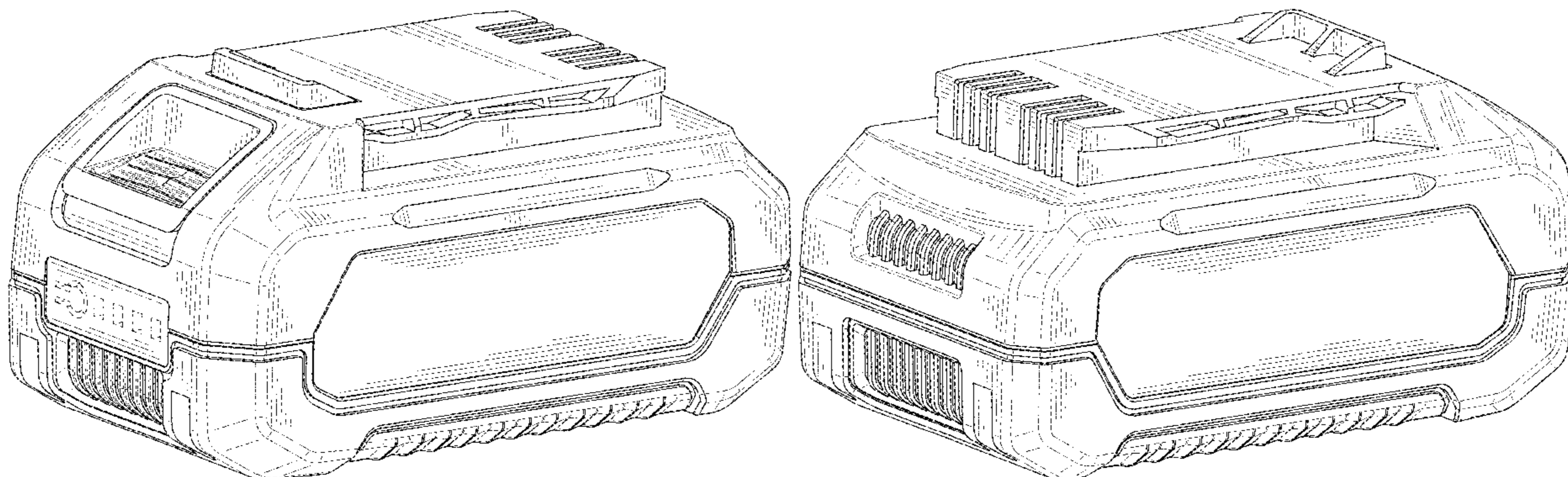
The ornamental design for a battery, as shown and described.

USPC D13/102-110, 118, 119, 184, 199
CPC Y02E 60/12; Y02E 60/122; Y02E 60/124;
Y02E 60/50; H01M 2/02; H01M 2/022;
H01M 2/0202; H01M 2/0207; H01M 2/0212;
H01M 2/1061; H01M 2/1022; H01M 2/1055;
H01M 2/1066; H01M 2/105; H01M 2/204; H01M 2/10;
H01M 10/4257; H01M 10/0436; H01M 10/48;
H01M 10/44; H01M 10/46; H01M 10/425;
H01M 2200/30; H01M 2250/30; H01M 2250/40;
H02J 7/00; H02J 7/0003; H02J 7/0011;
H02J 7/0013; H02J 7/0054; H02J 7/0055;
H02J 7/0057; H02J 7/0034; H02J 7/1423;
H02J 7/025; H02J 7/0042; H02J 7/0044;
H02J 7/0045; H02G 15/18; H02G 15/1826;
H01R 13/516; H01R 13/518; H01R 13/52;
H01R 13/46; H01R 13/50; H01R 13/506;
H01R 13/5213;

DESCRIPTION

FIG. 1 is a top, front and right side perspective view of a battery showing our new design;
FIG. 2 is a top, rear and left side perspective view thereof;
FIG. 3 is a bottom, rear and left side perspective view thereof;
FIG. 4 is a front elevational view thereof;
FIG. 5 is a rear elevational view thereof;
FIG. 6 is a right side view thereof;
FIG. 7 is a left side view thereof;
FIG. 8 is a top plan view thereof; and,
FIG. 9 is a bottom plan view thereof.
The broken lines in the drawings illustrate portions of the battery which form no part of the claimed design.

1 Claim, 9 Drawing Sheets



(56)

References Cited

U.S. PATENT DOCUMENTS

D657,307 S * 4/2012 Zhao D13/103
 D658,578 S * 5/2012 Davis D13/103
 D679,651 S * 4/2013 Stratford D13/103
 D682,192 S * 5/2013 Corbin D13/103
 D682,193 S * 5/2013 Corbin D13/103
 D682,194 S * 5/2013 Jiang D13/103
 D684,528 S * 6/2013 Murray D13/103
 D685,730 S * 7/2013 Hamm D13/103
 D692,380 S * 10/2013 Tirone D13/119
 D699,670 S * 2/2014 Cooper D13/103
 8,741,474 B2 * 6/2014 Melnyk H01M 2/1022
 429/178
 D710,794 S * 8/2014 Busschaert D13/103
 D712,826 S * 9/2014 Marino D13/103
 D718,705 S * 12/2014 Naksen D13/103
 D780,687 S * 3/2017 Taniguchi D13/103
 D780,688 S * 3/2017 Elder D13/103
 D785,562 S * 5/2017 Cooper D13/103
 D797,661 S * 9/2017 Elder D13/103
 D800,650 S * 10/2017 Itoh D13/103
 D801,917 S * 11/2017 Jiang D13/103
 D801,919 S * 11/2017 Elder D13/103
 D803,777 S * 11/2017 Burchard D13/103
 D812,555 S * 3/2018 Schoch D13/103
 D818,947 S * 5/2018 Laurino D13/103
 D818,948 S * 5/2018 Waldron D13/103
 D819,562 S * 6/2018 Waldron D13/103
 D826,149 S * 8/2018 Cooper D13/103
 D826,150 S * 8/2018 Cayon D13/103
 D841,572 S * 2/2019 Gilpatrick D13/103
 D844,558 S * 4/2019 Taniguchi D13/103

D849,681 S * 5/2019 Howell D13/103
 D853,961 S * 7/2019 Kanarellis D13/110
 D856,275 S * 8/2019 Laurino D13/103
 D856,921 S * 8/2019 Lee D13/103
 D876,340 S * 2/2020 Song D13/103
 D881,119 S * 4/2020 Elder D13/103
 D883,918 S * 5/2020 Roberts D13/103
 D884,600 S * 5/2020 Zhou D13/103
 D884,601 S * 5/2020 Zhou D13/103
 D890,692 S * 7/2020 Elder D13/103
 D891,363 S * 7/2020 Roberts D13/103
 D893,409 S * 8/2020 Stray D13/103
 D893,411 S * 8/2020 Roberts D13/103
 D893,413 S * 8/2020 Grulke D13/103
 D894,118 S * 8/2020 Liu D13/103
 D894,120 S * 8/2020 Timm D13/103
 D894,827 S * 9/2020 Watson D13/103
 2013/0089764 A1 * 4/2013 Melnyk H01M 2/1022
 429/72
 2013/0136965 A1 * 5/2013 Nakano H01M 2/1077
 429/92
 2013/0330576 A1 * 12/2013 Kolden H01M 2/105
 429/7
 2016/0241065 A1 * 8/2016 Kondo H01M 2/1022
 2016/0322842 A1 * 11/2016 Sorhage H02J 7/0044
 2018/0198294 A1 * 7/2018 Sheeks G01R 31/392
 2019/0280501 A1 * 9/2019 Kondo H02J 7/0063
 2019/0312242 A1 * 10/2019 Barton H01M 10/488
 2020/0127339 A1 * 4/2020 Nakano H01M 10/44
 2020/0176827 A1 * 6/2020 Mao H01M 2/1066
 2020/0212409 A1 * 7/2020 Bantel H01M 2/30
 2020/0212505 A1 * 7/2020 Nakano B25F 5/02
 2020/0227695 A1 * 7/2020 Jones H01M 2/1022

* cited by examiner

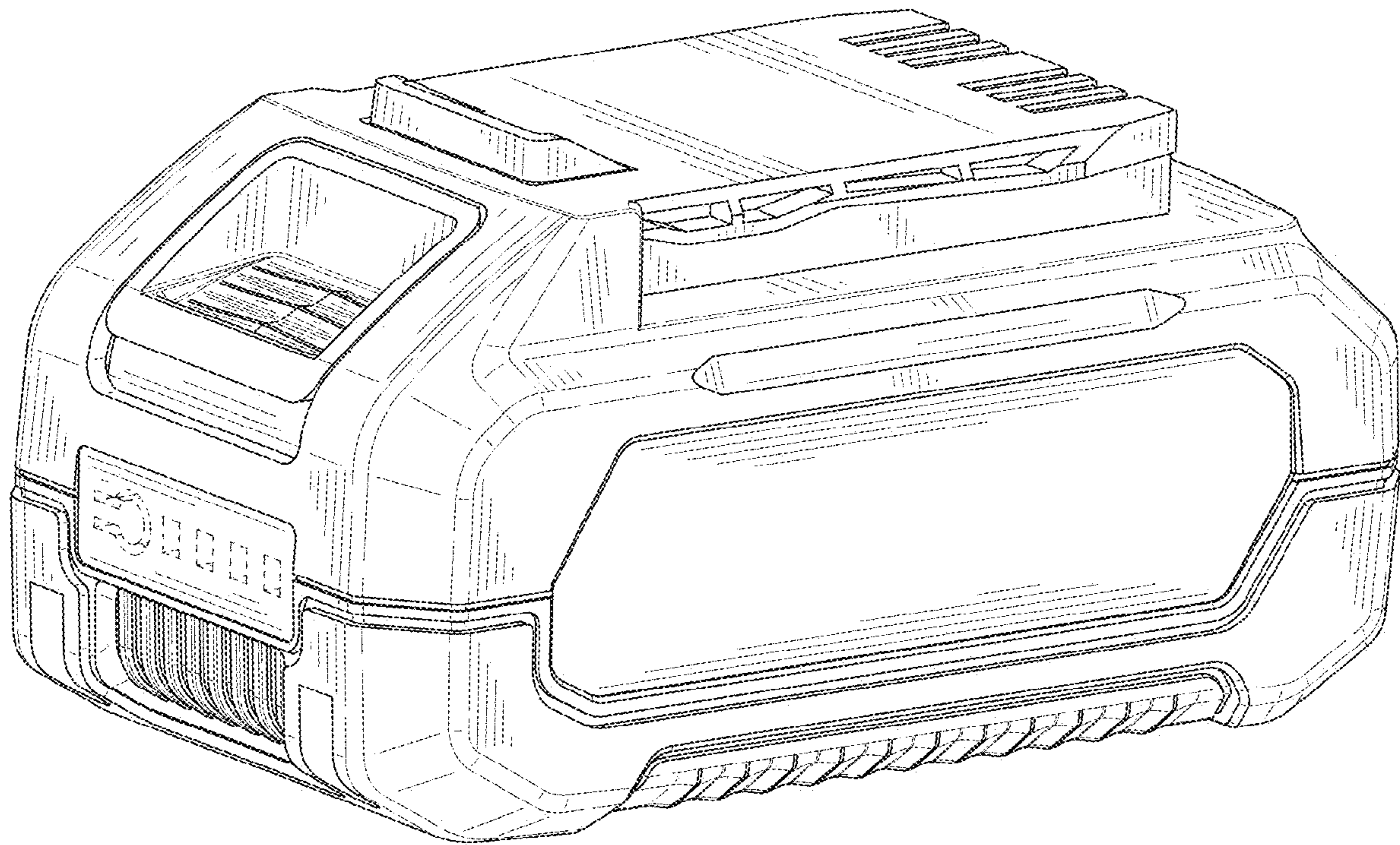


FIG. 1

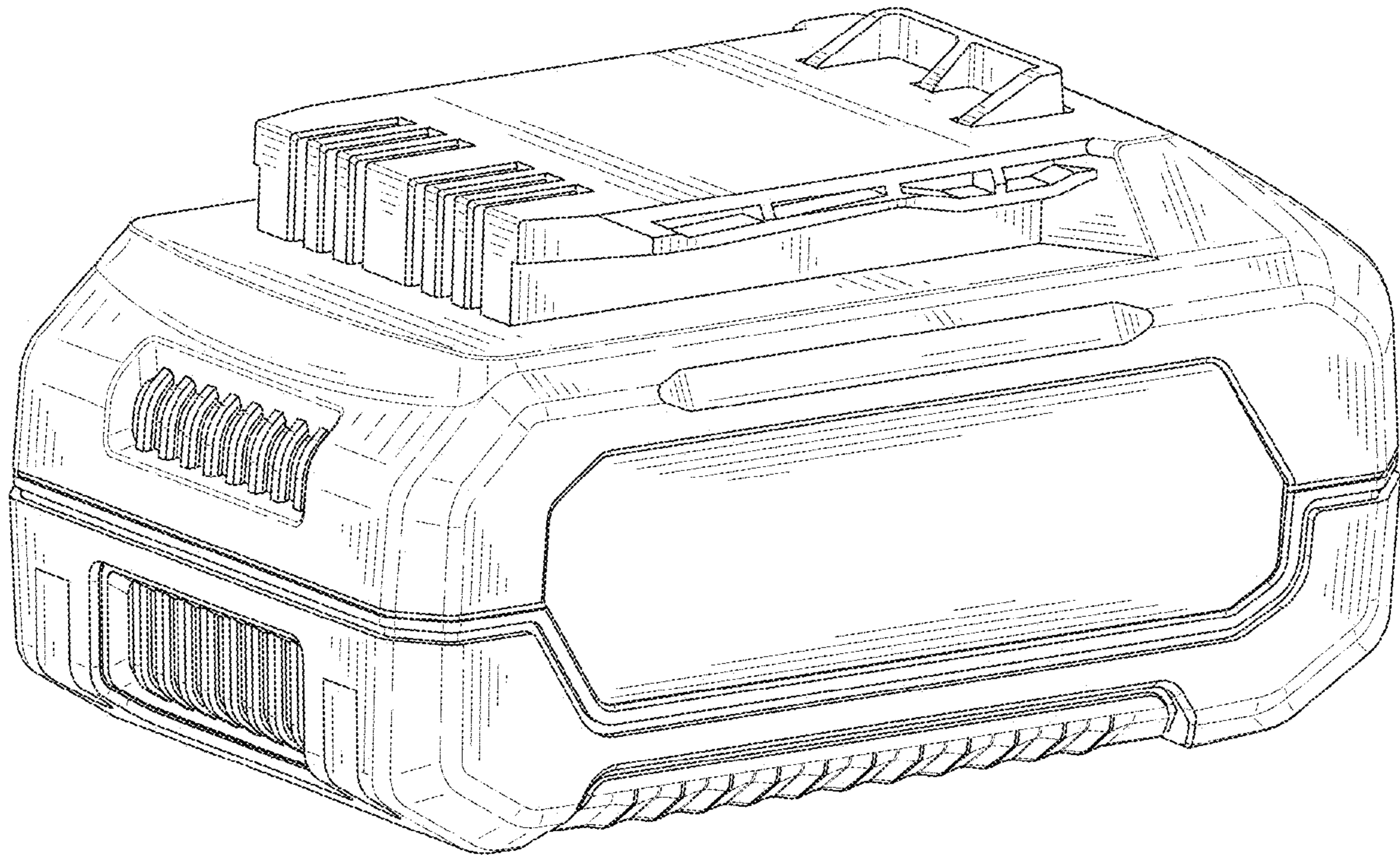


FIG. 2

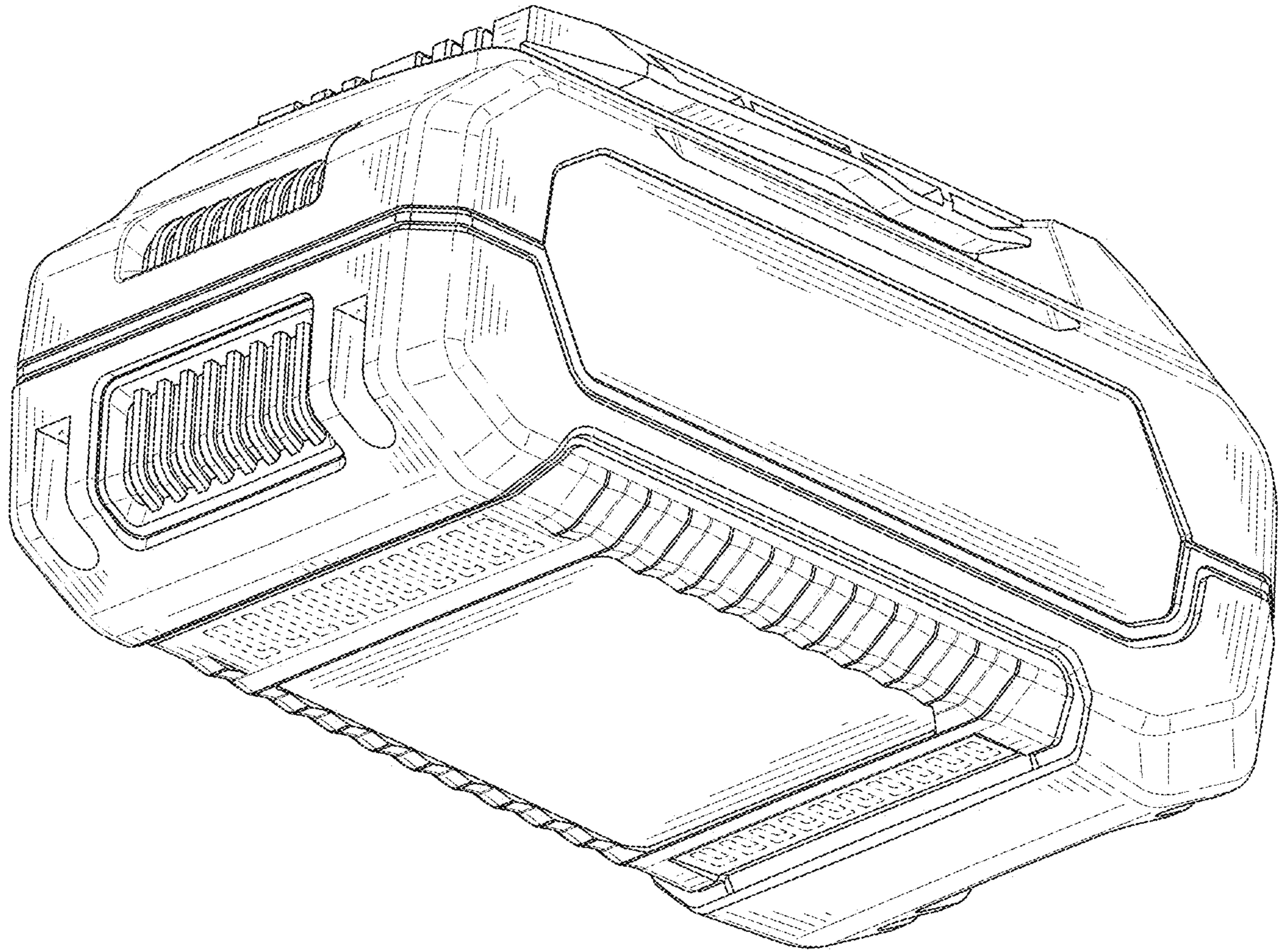


FIG. 3

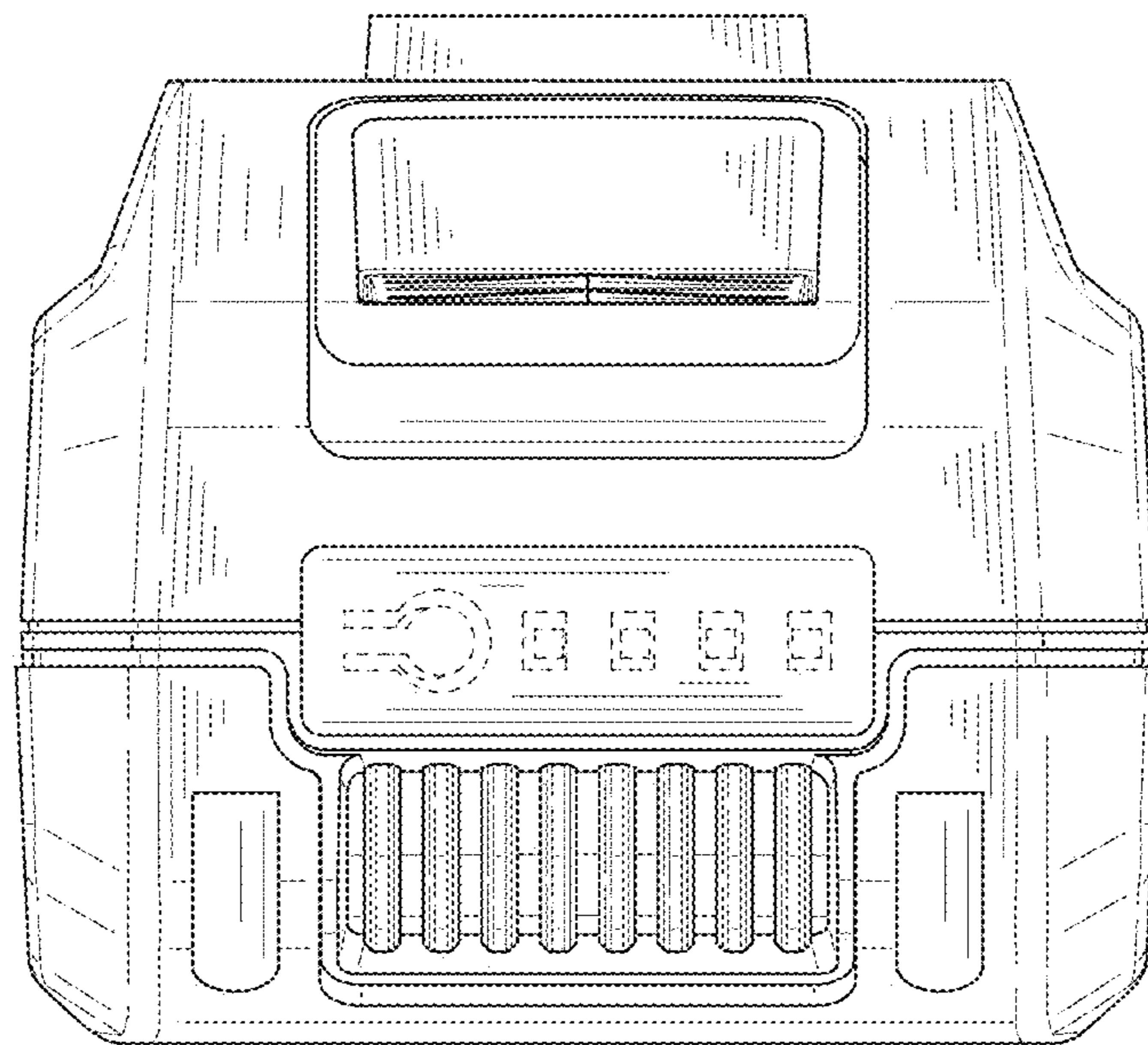


FIG. 4

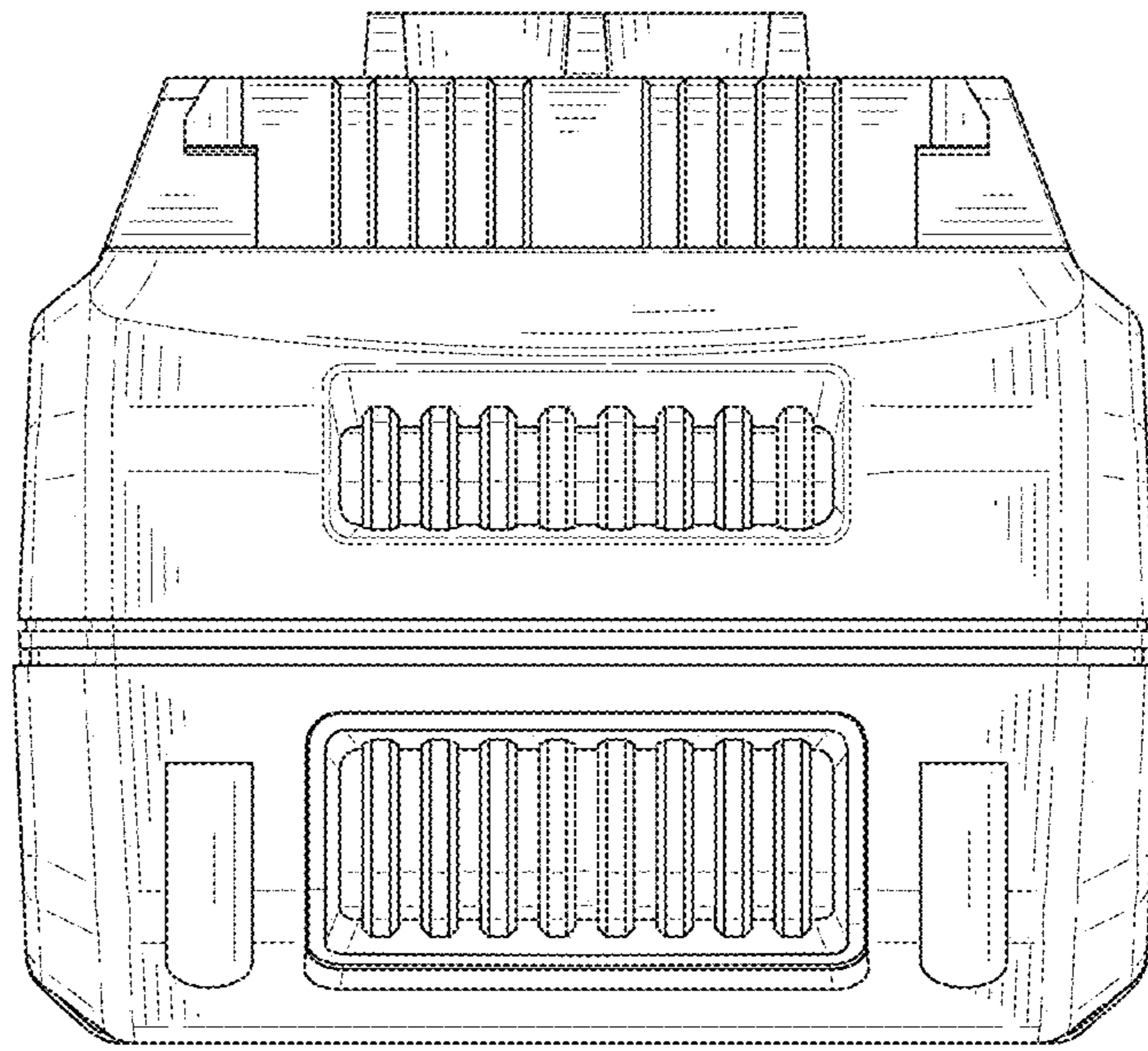


FIG. 5

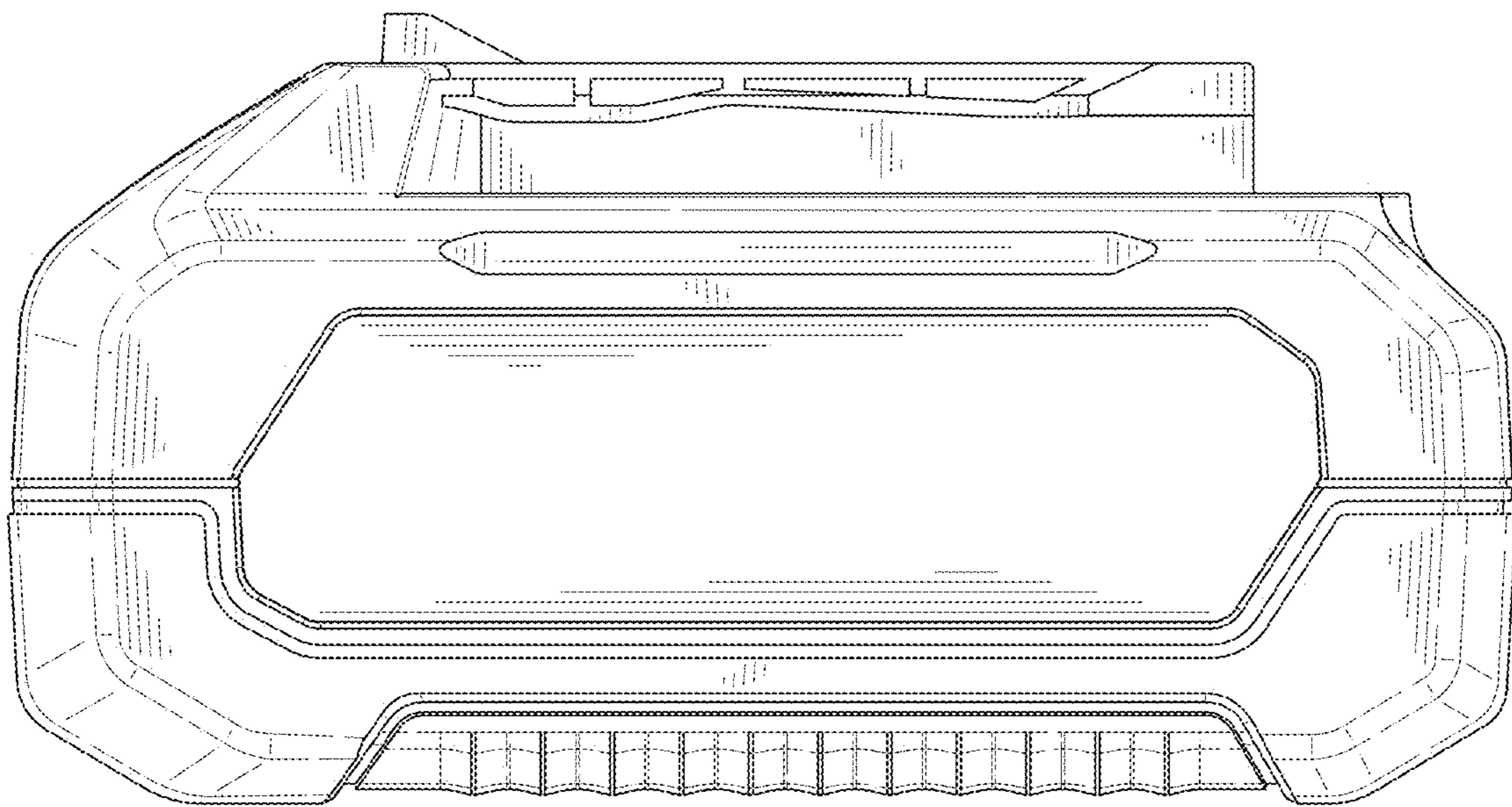


FIG. 6

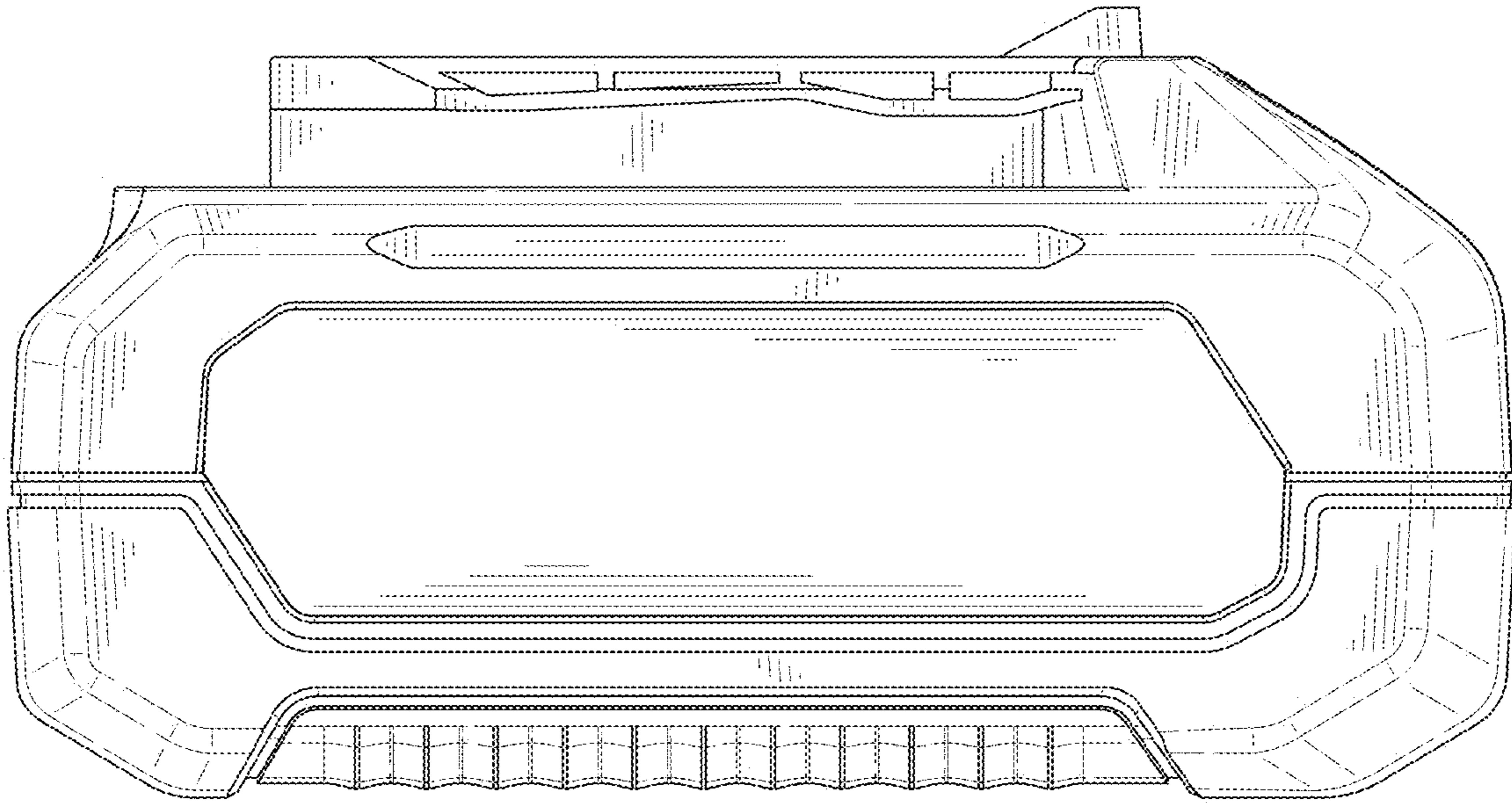


FIG. 7

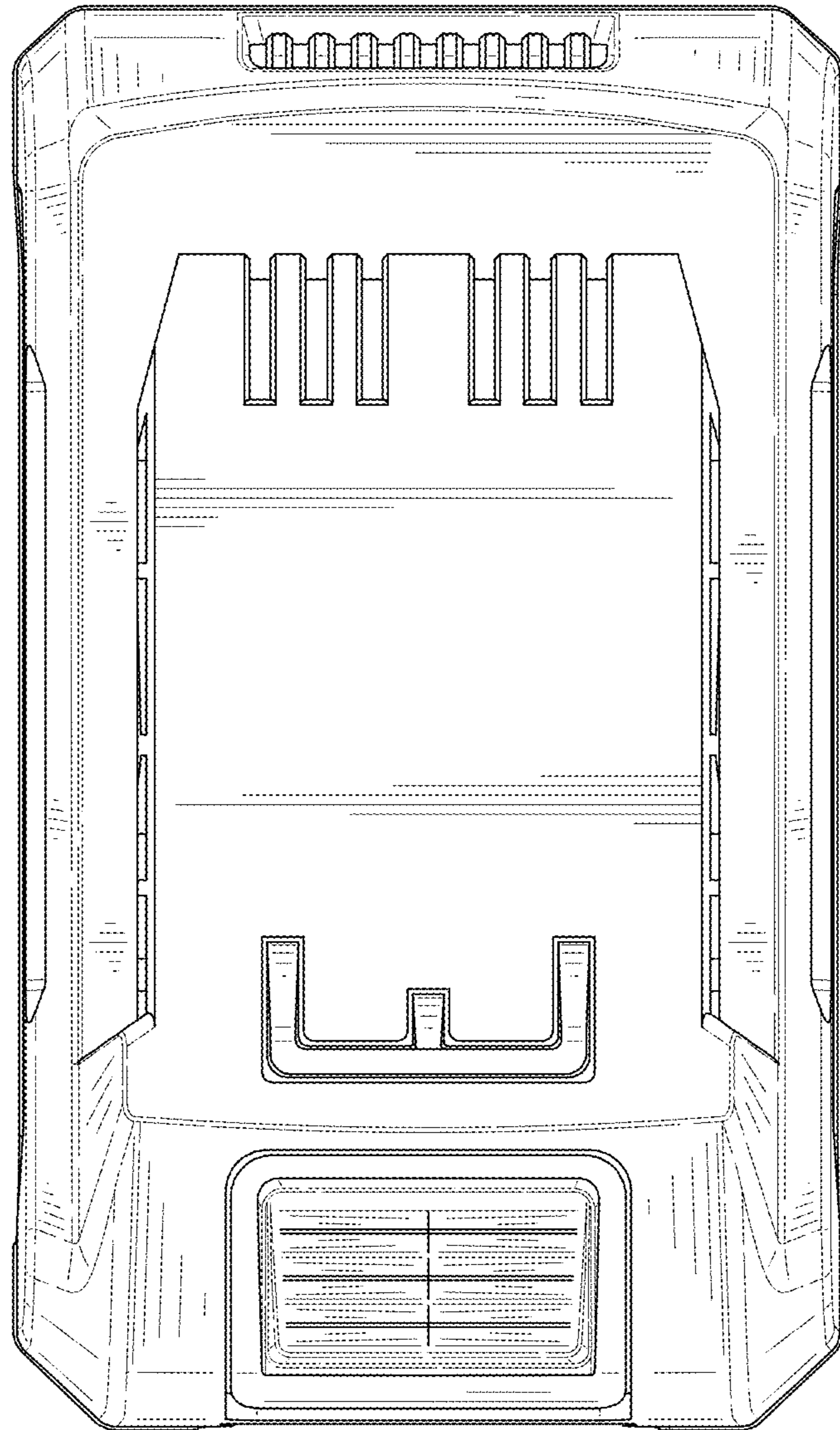


FIG. 8

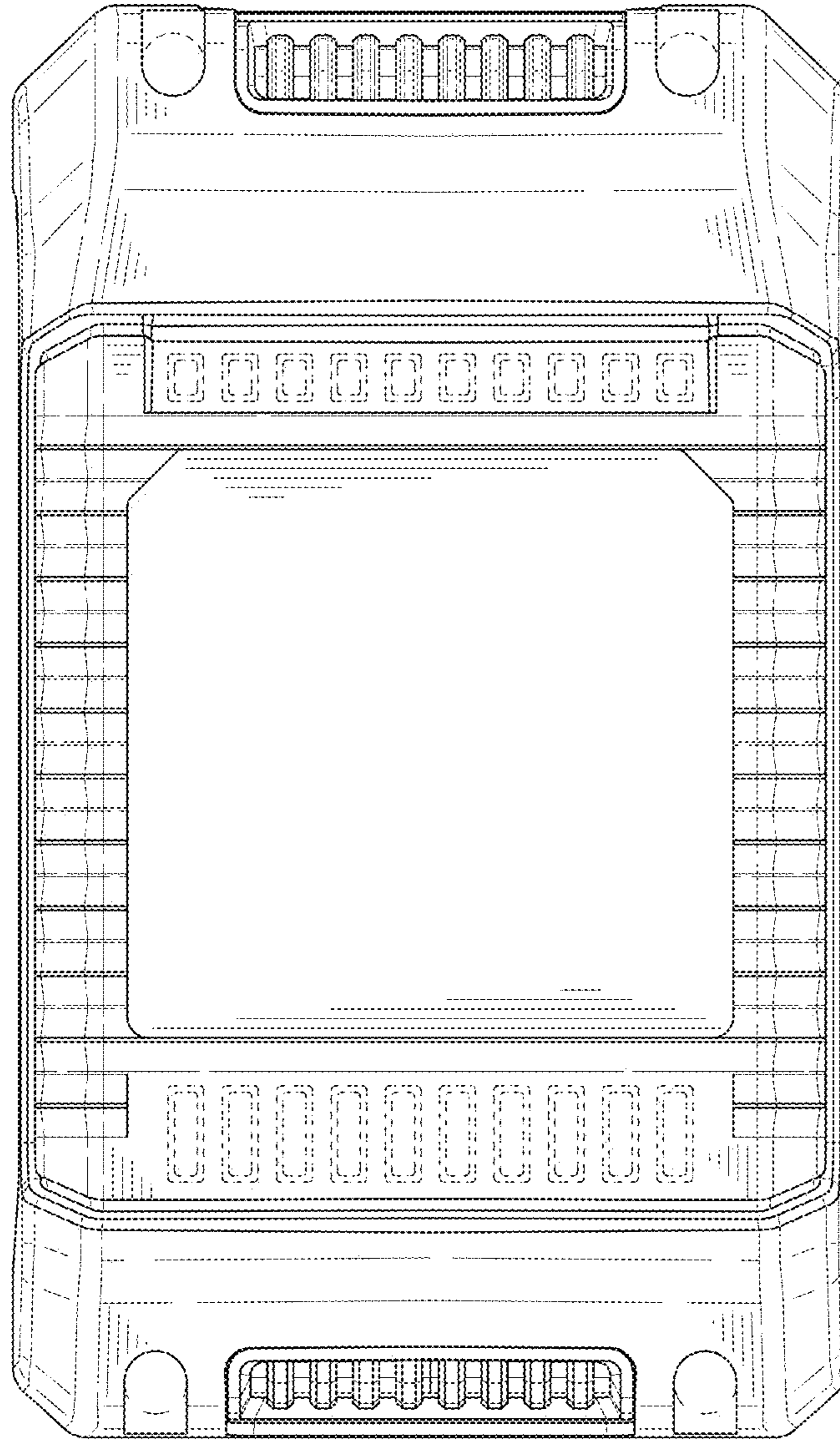


FIG. 9