



US00D912608S

(12) **United States Design Patent**
Chen

(10) **Patent No.:** **US D912,608 S**

(45) **Date of Patent:** **** Mar. 9, 2021**

(54) **VEHICLE CENTER CONSOLE ORGANIZER**

(71) Applicant: **Jiakai Chen**, Jieyang (CN)

(72) Inventor: **Jiakai Chen**, Jieyang (CN)

(**) Term: **15 Years**

(21) Appl. No.: **29/745,451**

(22) Filed: **Aug. 6, 2020**

(51) **LOC (13) Cl.** **12-16**

(52) **U.S. Cl.**
USPC **D12/425**

(58) **Field of Classification Search**
USPC D21/400, 406, 425-430, 434, 436
CPC B63B 25/00; B63B 7/085; B63B 35/00;
B63B 17/00; B60R 16/04
See application file for complete search history.

(56) **References Cited**

U.S. PATENT DOCUMENTS

D320,372 S	10/1991	Alberts	
D419,772 S *	2/2000	Williams	D3/201
D486,121 S *	2/2004	Bergh	D12/425
D499,373 S *	12/2004	Oas	D12/417
D504,563 S *	5/2005	Broussard	D3/20
D606,774 S *	12/2009	Kohli	D6/406.6

D611,401 S *	3/2010	Saint-Jalmes	D12/425
D630,159 S *	1/2011	Saint-Jalmes	D12/425
D766,664 S *	9/2016	Wilson	D7/553.2
D840,249 S *	2/2019	Payne	D9/760
D846,482 S	4/2019	Wu	
D867,971 S *	11/2019	Baker	D12/425
D884,578 S *	5/2020	Guo	D12/425

* cited by examiner

Primary Examiner — Katrina A Betton

(74) *Attorney, Agent, or Firm* — Erson IP (Nelson IP)

(57) **CLAIM**

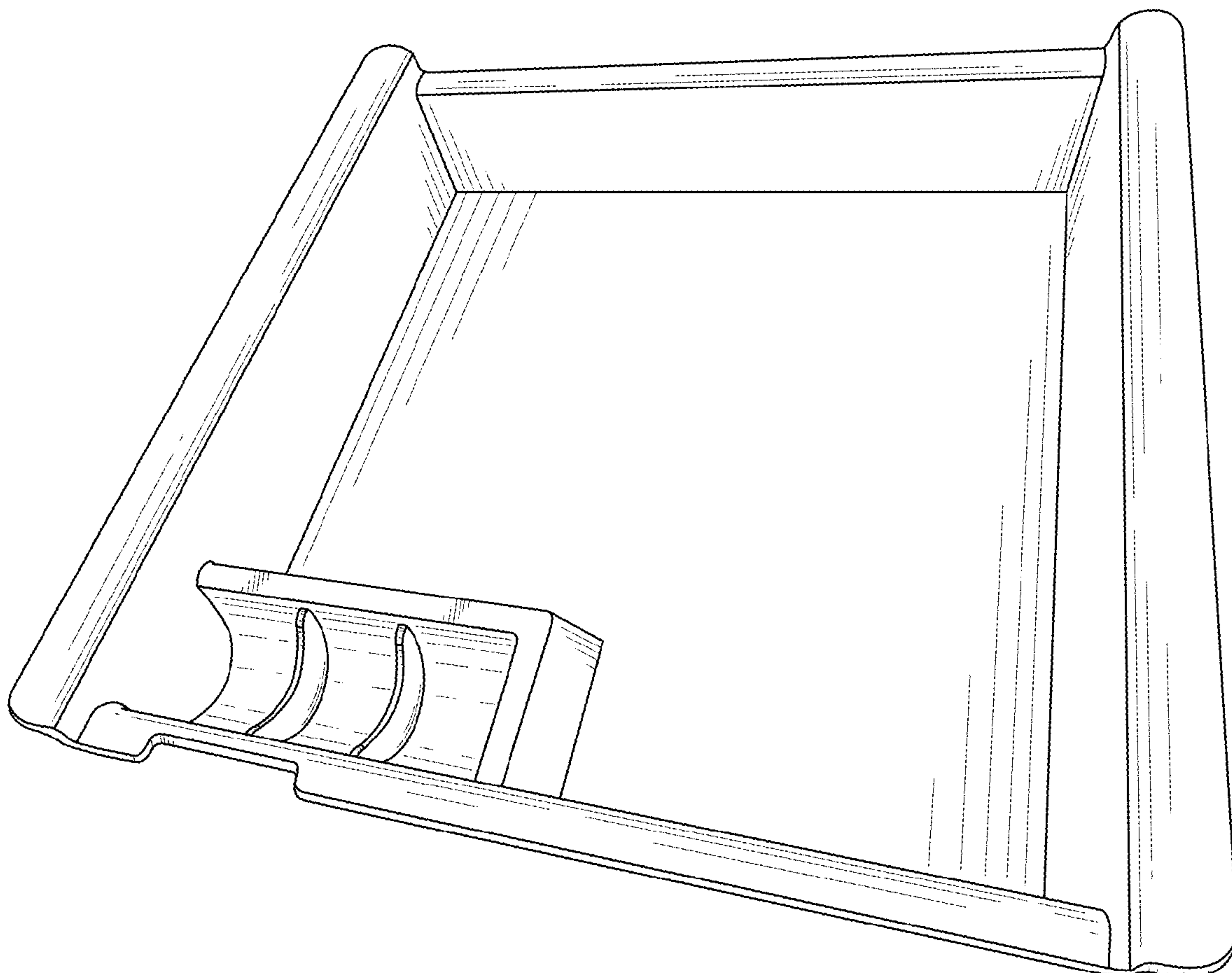
The ornamental design for a vehicle center console organizer, as shown and described.

DESCRIPTION

FIG. 1 is a perspective view of a vehicle center console organizer showing my new design;
FIG. 2 is a front view thereof;
FIG. 3 is a rear view thereof;
FIG. 4 is a left side view thereof;
FIG. 5 is a right side view thereof;
FIG. 6 is a top plan view thereof; and,
FIG. 7 is a bottom plan view thereof.

The broken lines showing a vehicle center console organizer are for the purposes of illustrating environment and forms no part of the claimed design.

1 Claim, 7 Drawing Sheets



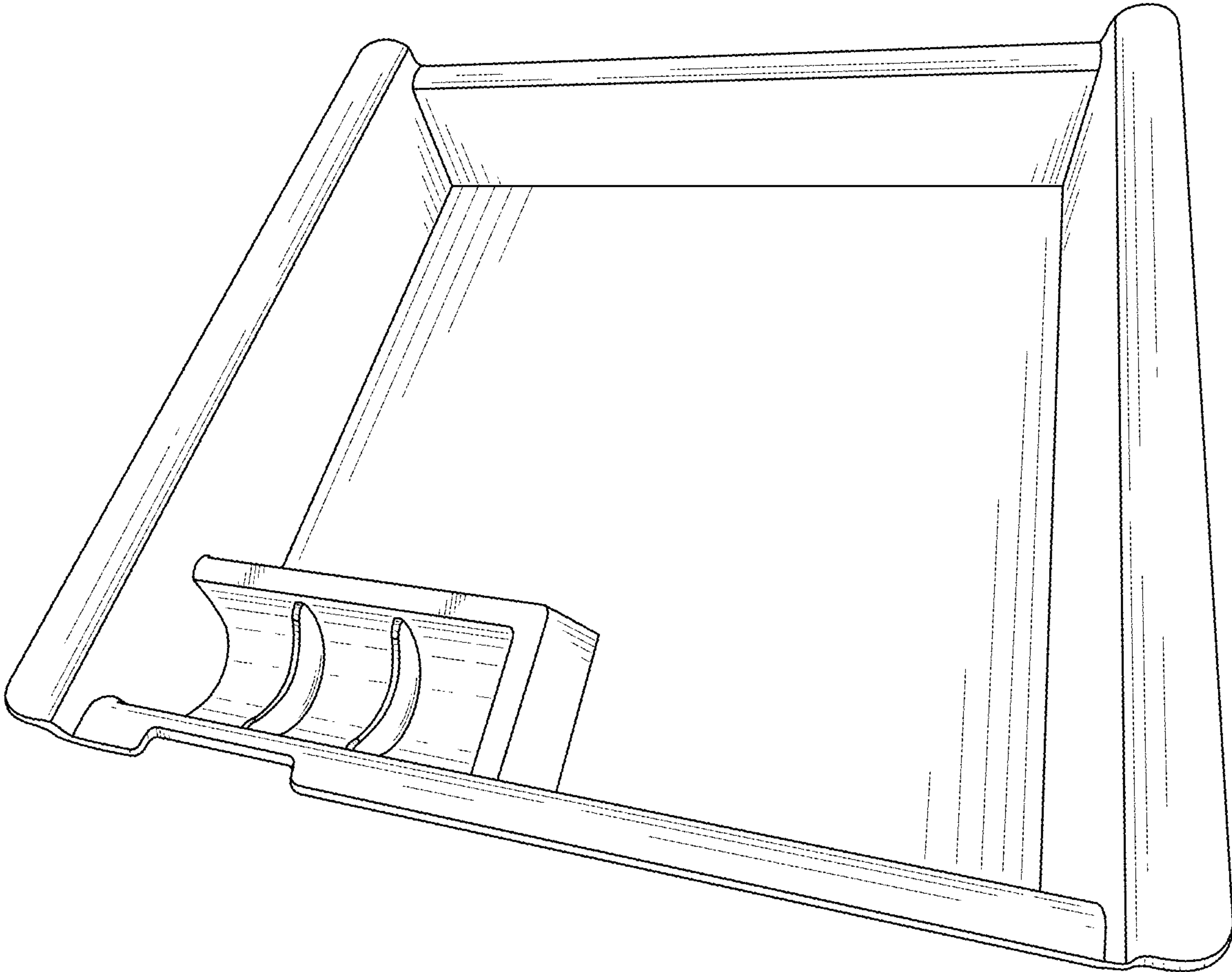


FIG. 1

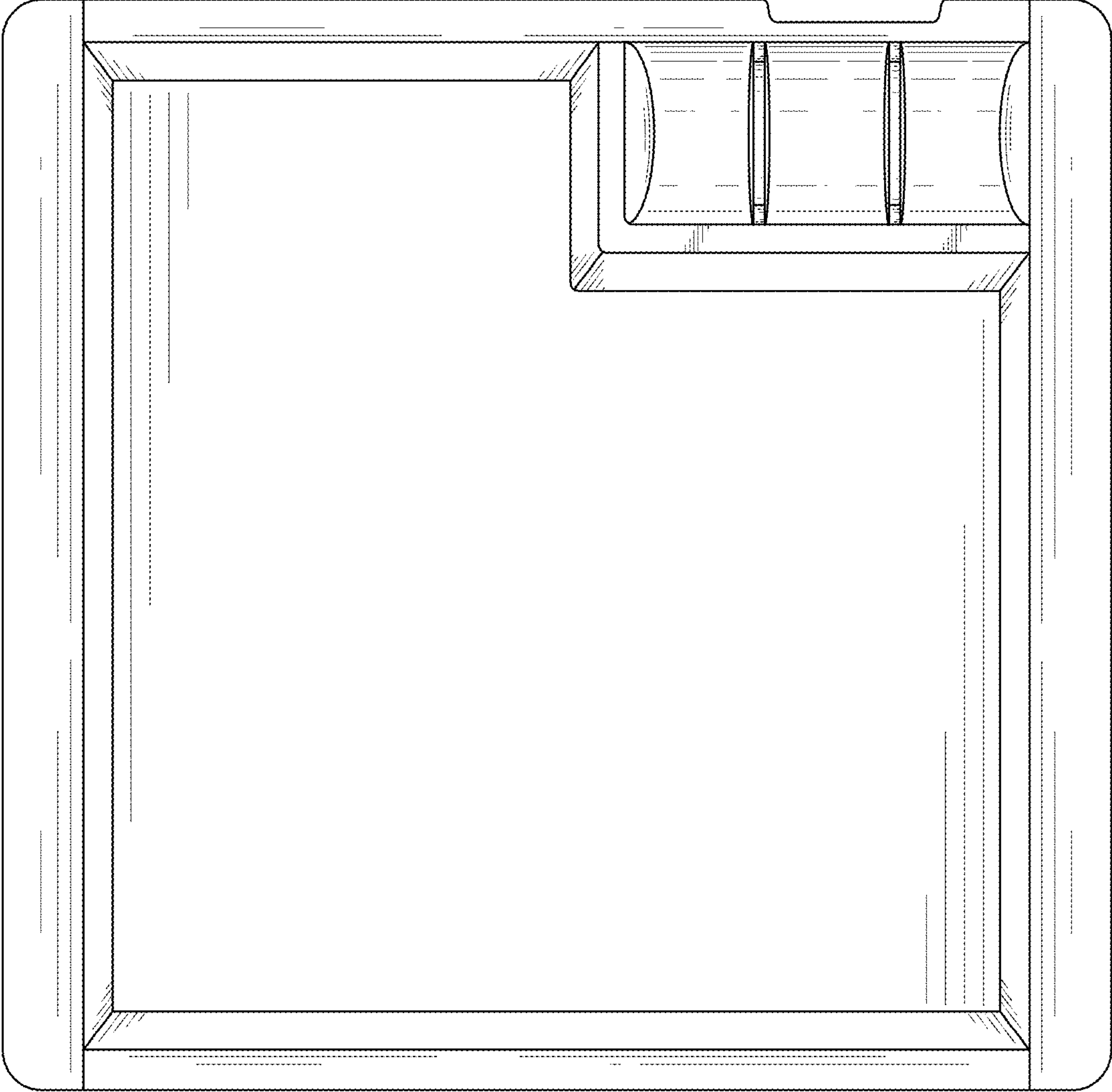


FIG. 2

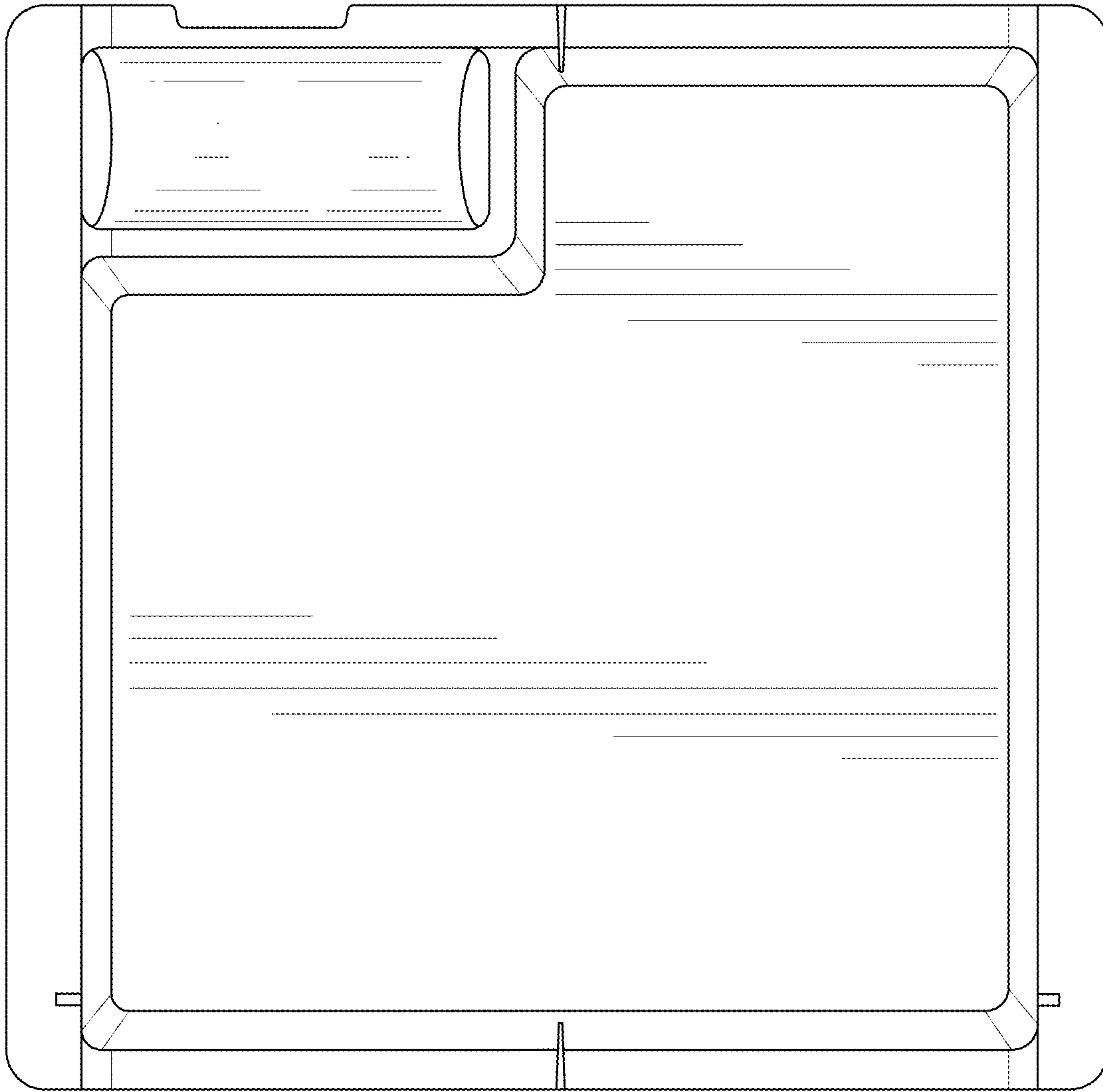


FIG. 3

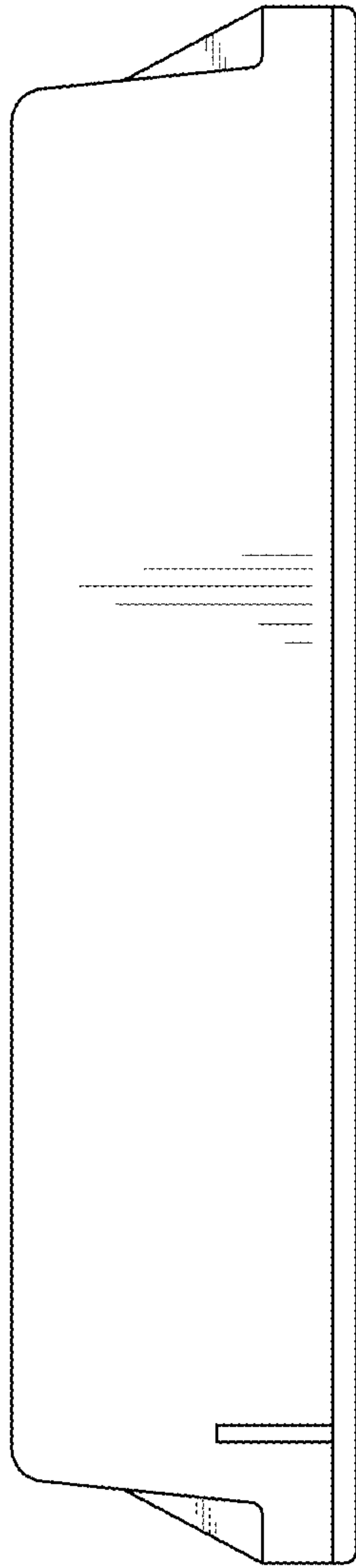


FIG. 4

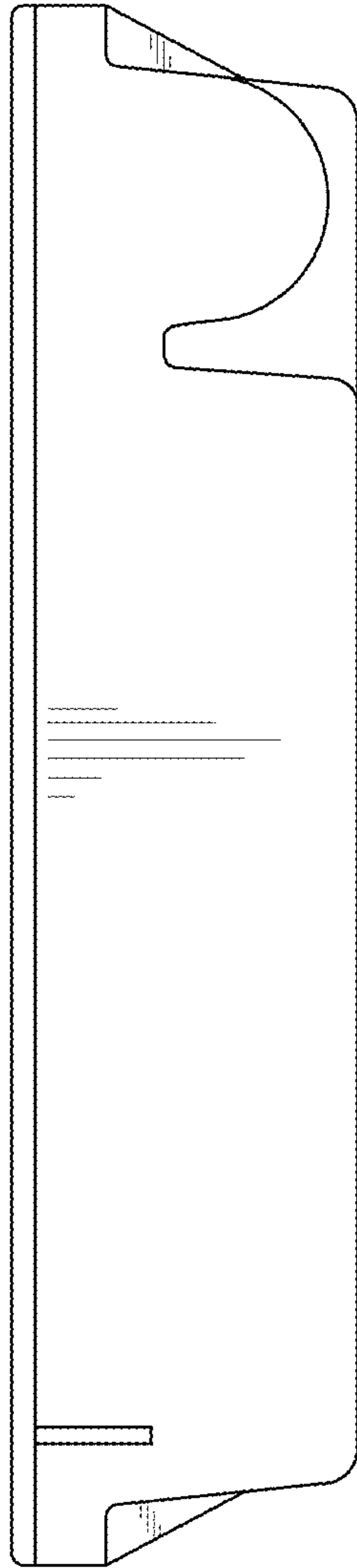


FIG. 5

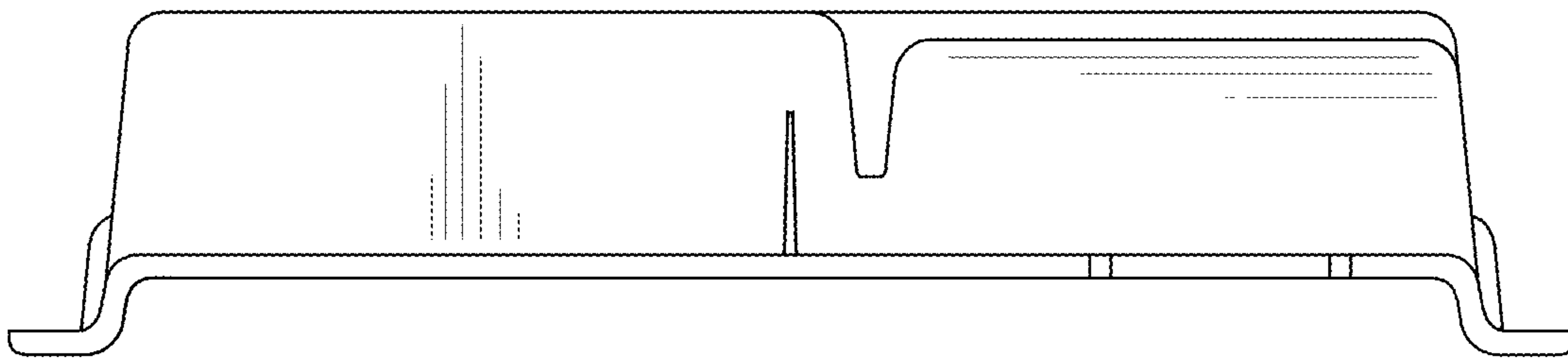


FIG. 6

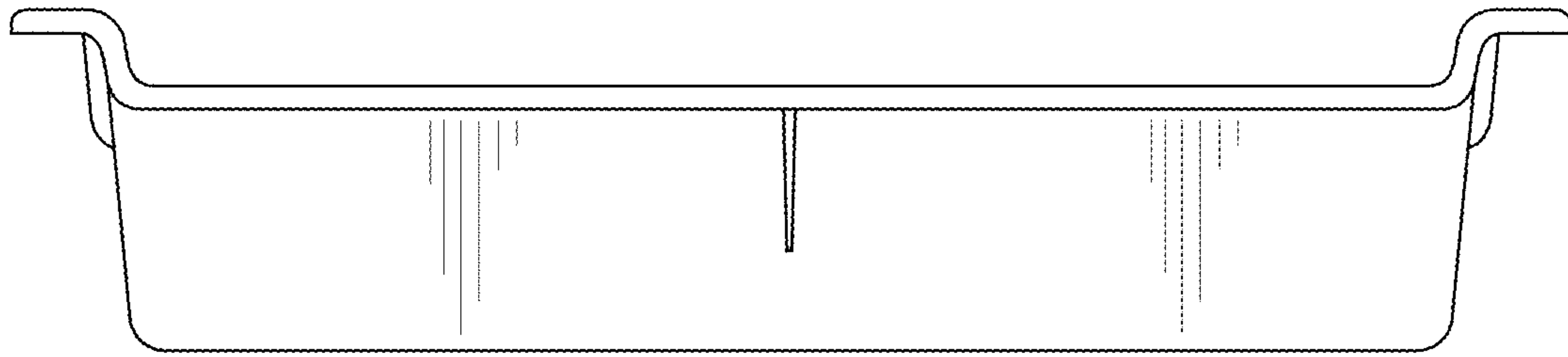


FIG. 7