



US00D912607S

(12) **United States Design Patent** (10) **Patent No.:** **US D912,607 S**
Yu (45) **Date of Patent:** **** Mar. 9, 2021**

(54) **FOLDING CARGO CARRIER**
(71) Applicant: **Easepal Enterprises Ltd., Xiamen (CN)**
(72) Inventor: **Bofeng Yu, Xianyou (CN)**
(**) Term: **15 Years**
(21) Appl. No.: **29/697,159**
(22) Filed: **Jul. 4, 2019**
(51) **LOC (13) Cl.** **12-16**
(52) **U.S. Cl.**
USPC **D12/414**
(58) **Field of Classification Search**
USPC D12/401-414, 414.1; D6/610-611
CPC B60R 9/00; B60R 9/02; B60R 9/04; B60R 9/08; B60R 9/042; B60R 9/0423; B60R 9/0426; B60R 9/045; B60R 9/048; B60R 9/0485; B60R 9/05; B60R 9/052; B60R 9/055; B60R 9/058; B60R 9/06; B60R 9/065; B60R 9/10; B60R 9/12
See application file for complete search history.

D885,303 S * 5/2020 McMath D12/406
D885,791 S * 6/2020 Beckerman D6/545
D890,685 S * 7/2020 Chen D12/406

OTHER PUBLICATIONS

Leader Accessories Hitch Mount Cargo Basket Folding Cargo Carrier Luggage Basket 60" LX 24" W x 6" H With 500 LB Capacity Fits 2" Receiver, https://www.amazon.com/Leader-Accessories-Foldable-Capacity-Receiver/dp/B07QQB4LGQ/ref=zg_bs_15735251_66?_encoding=UTF8&psc=1&refRID=DVQX26HWHC9FS24WDN2A.

* cited by examiner

Primary Examiner — Abraham Bahta
(74) *Attorney, Agent, or Firm* — Rumit Ranjit Kanakia

(57) **CLAIM**

I claim the ornamental design for a folding cargo carrier, as shown and described.

DESCRIPTION

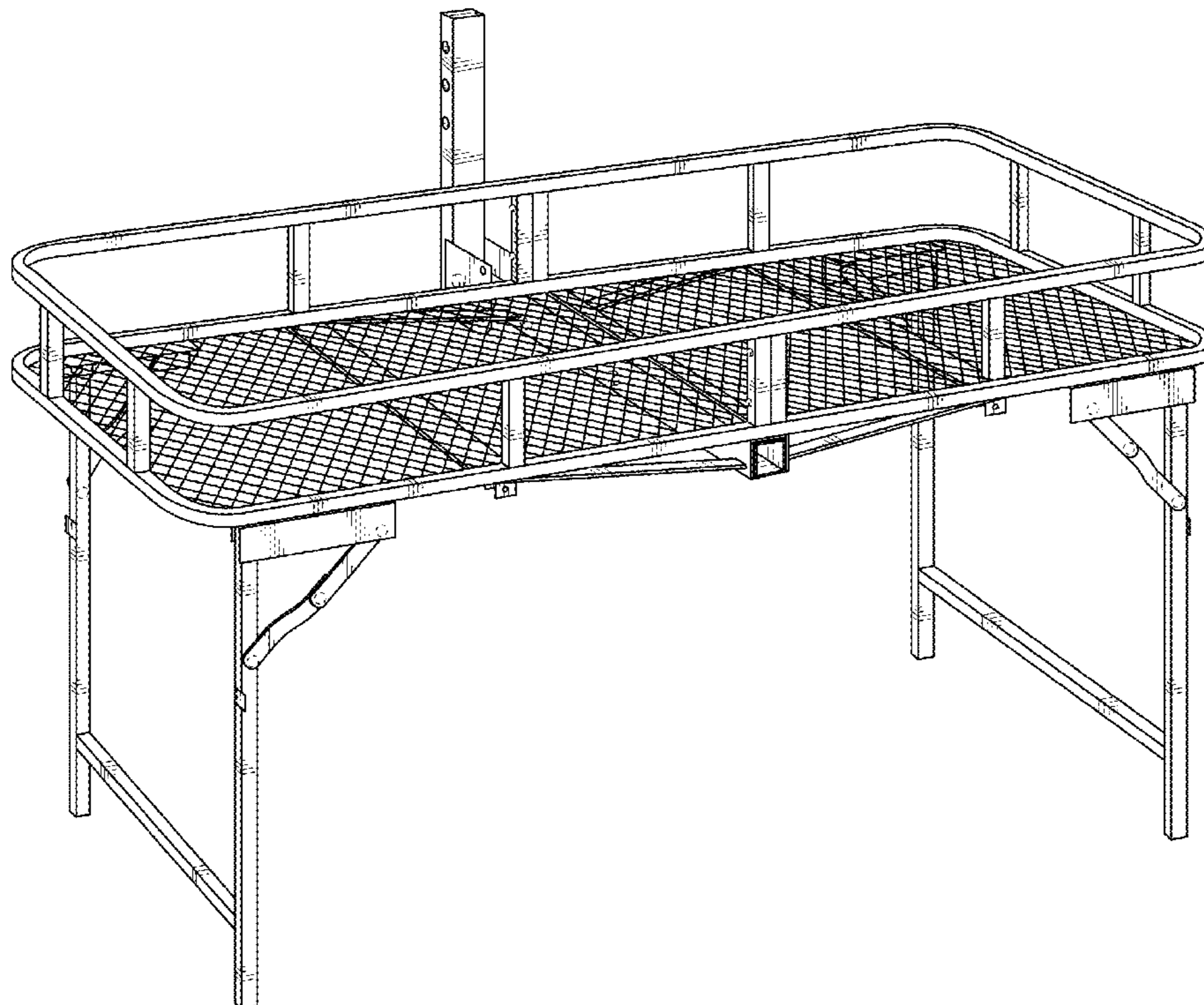
FIG. 1 is a perspective view of a folding cargo carrier in unfolded state showing my new design;
FIG. 2 is perspective view of the folding cargo carrier in a folded state;
FIG. 3 is a right-side view of FIG. 1;
FIG. 4 is a Left-side view thereof;
FIG. 5 is a rear view thereof;
FIG. 6 is a front view thereof;
FIG. 7 is a top view thereof; and,
FIG. 8 is a bottom view thereof.
The broken lines are only for environmental purposes and form no part of the claimed design.

(56) **References Cited**

U.S. PATENT DOCUMENTS

D477,562 S * 7/2003 McCoy D12/406
D508,014 S * 8/2005 Heravi D12/406
D528,497 S * 9/2006 Ezra D12/406
D865,570 S * 11/2019 Sablatura B60R 9/06
D12/101

1 Claim, 8 Drawing Sheets



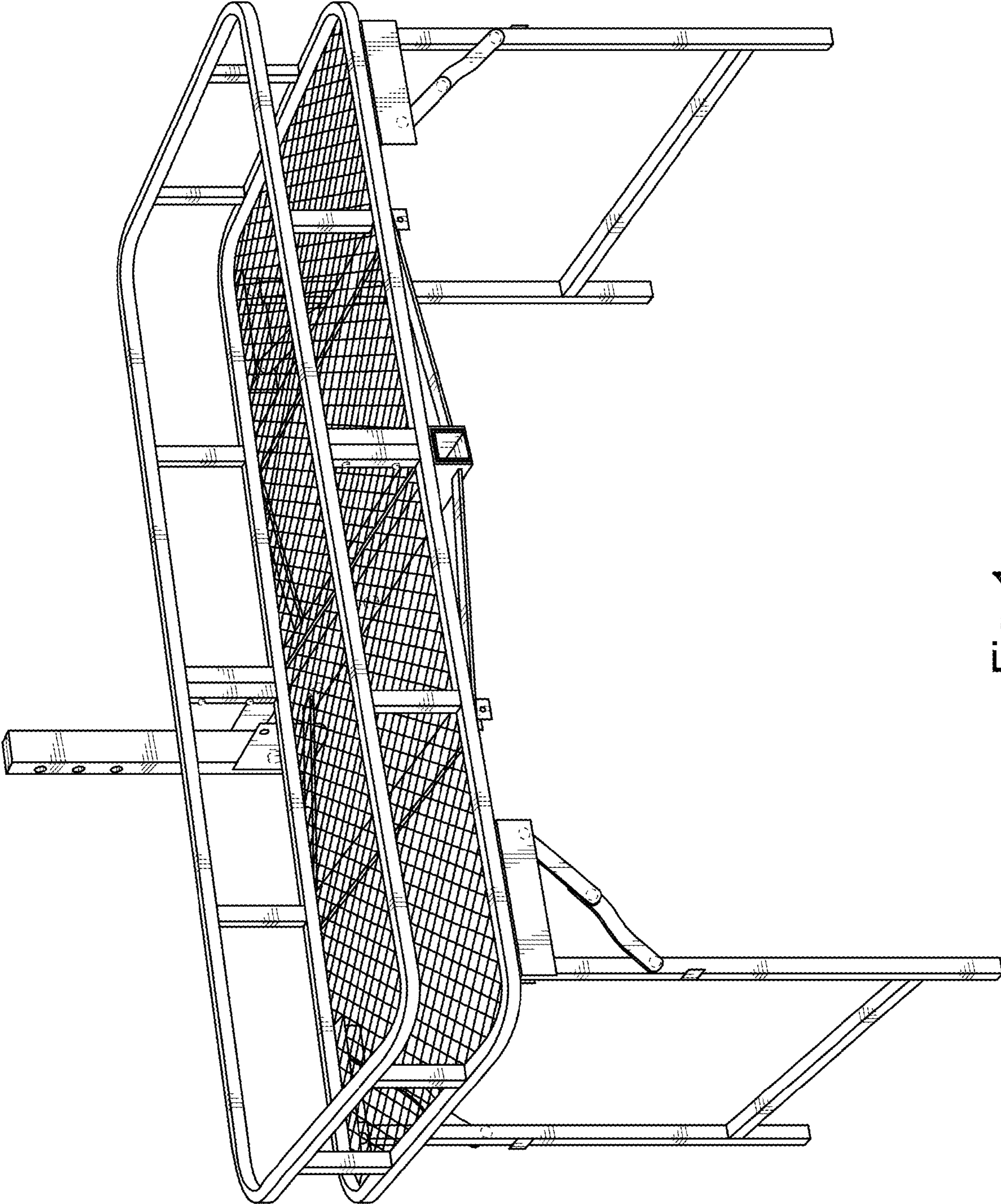


Fig. 1

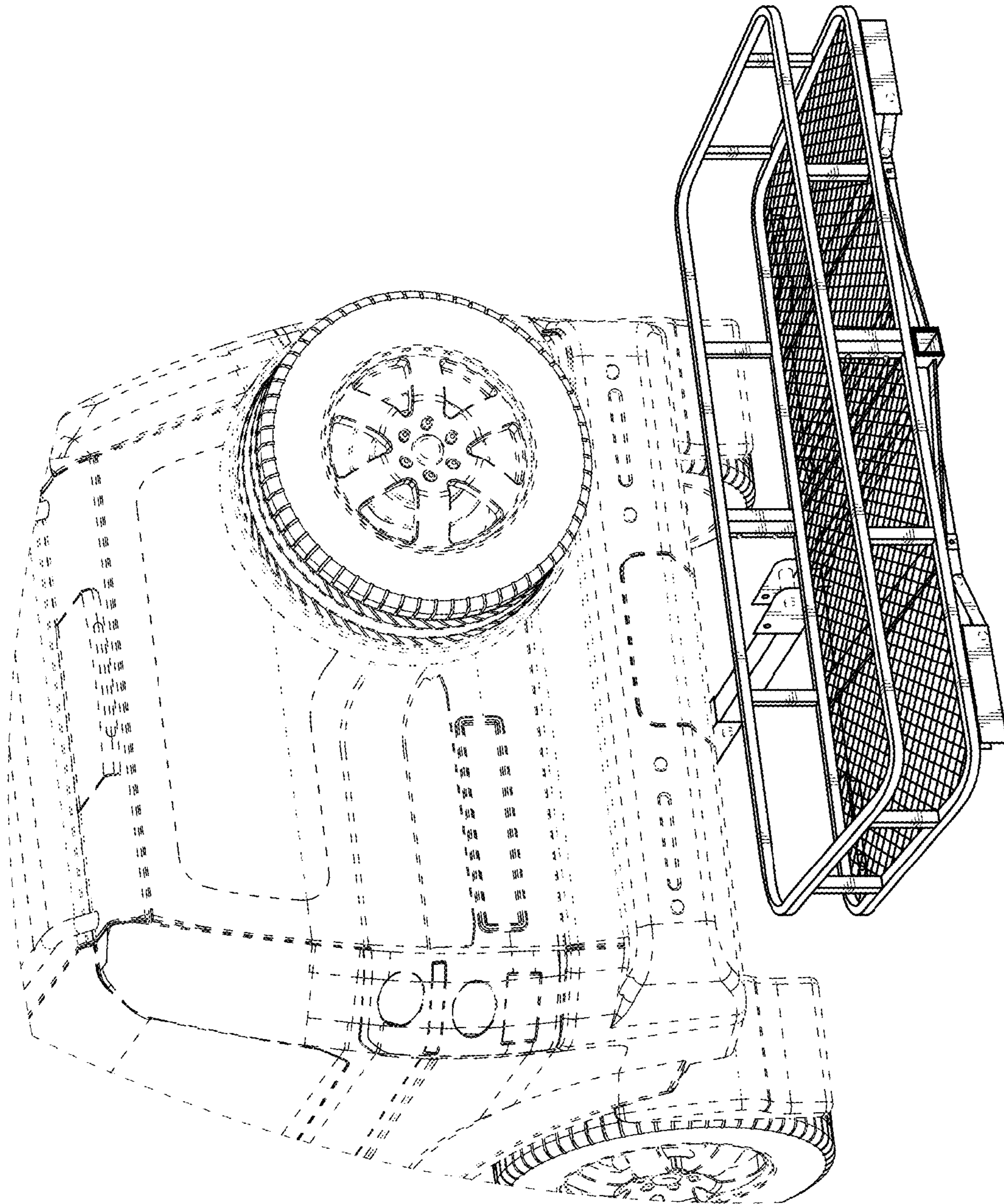


Fig. 2

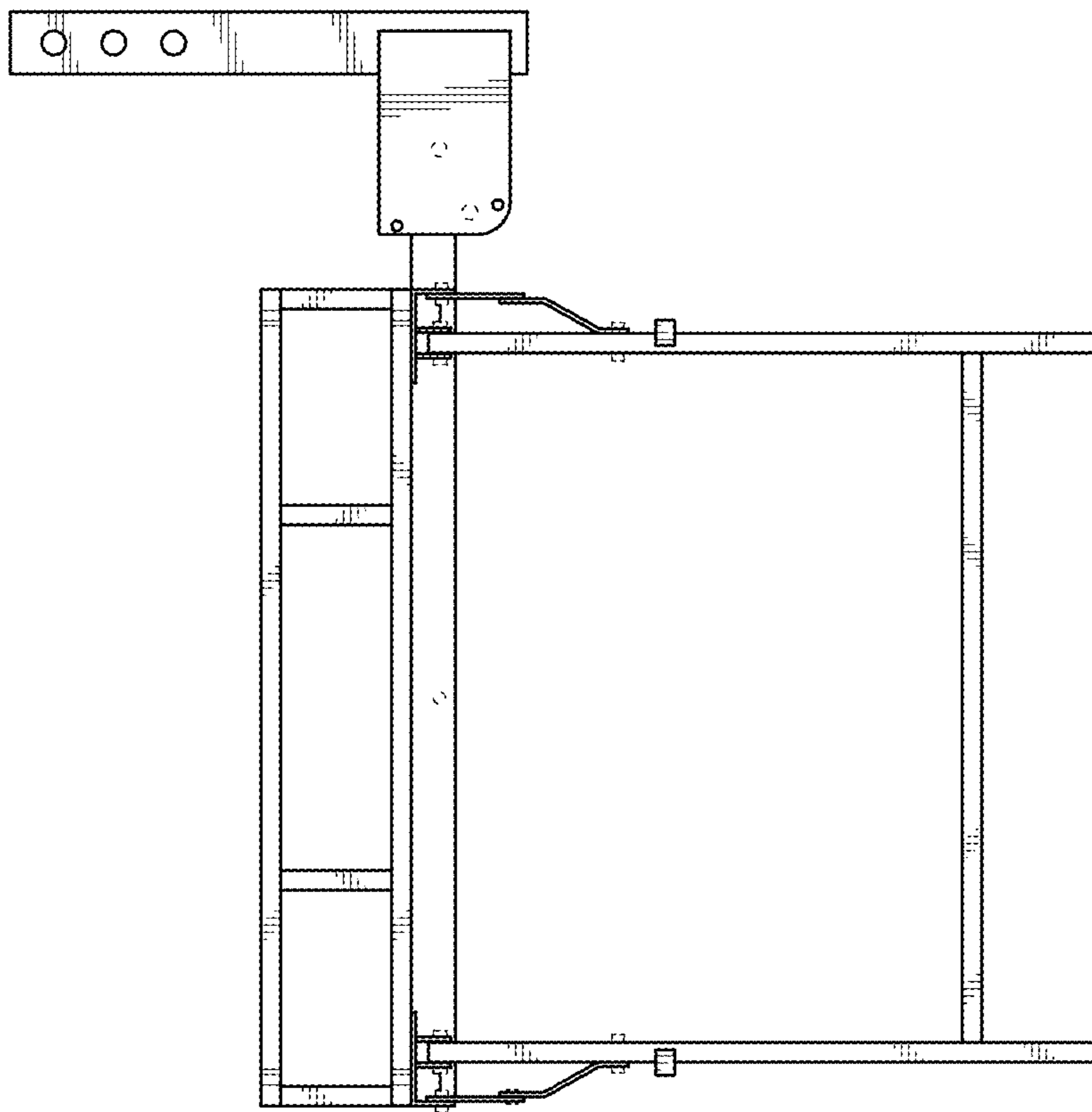


Fig. 3

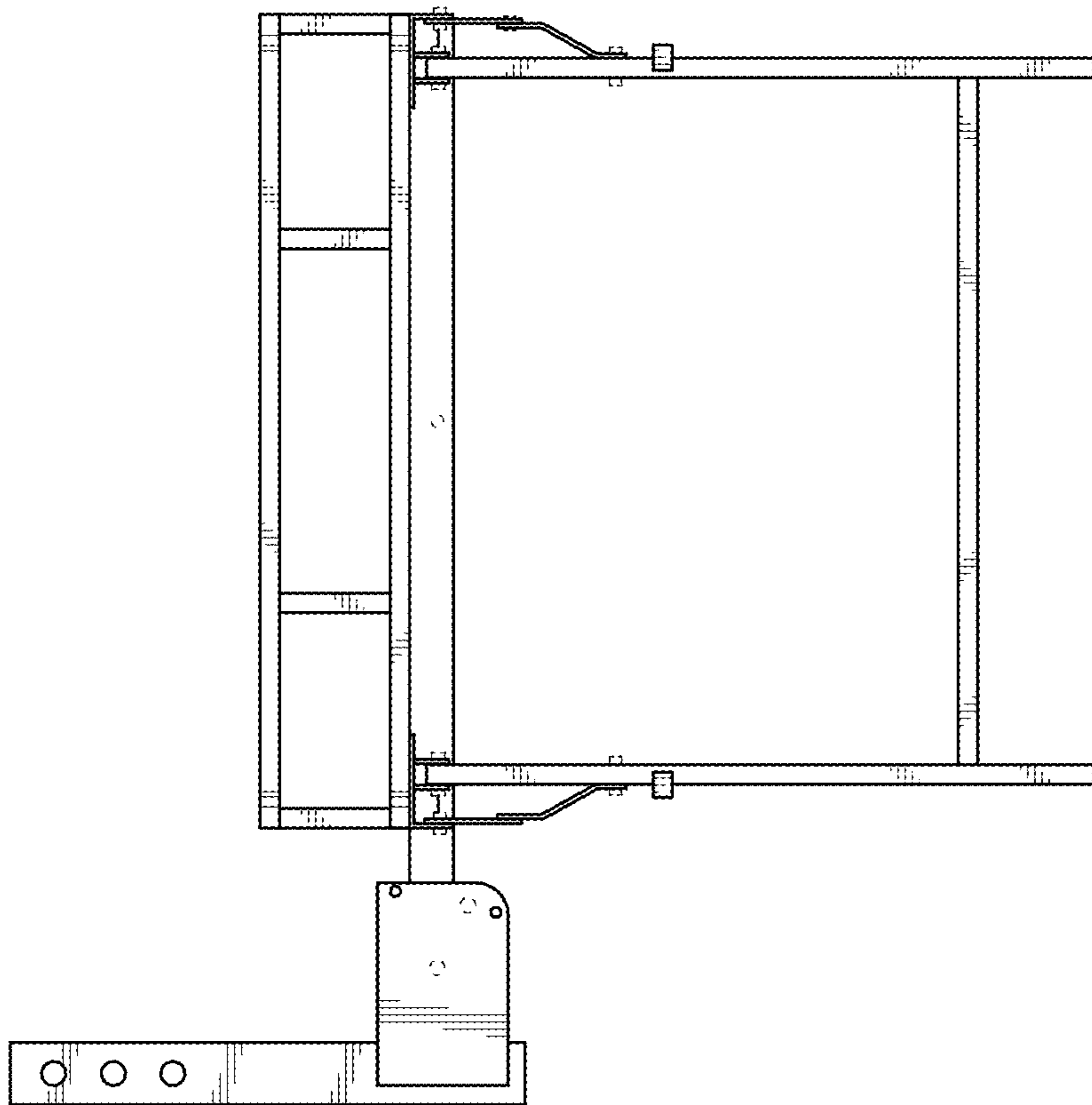


Fig. 4

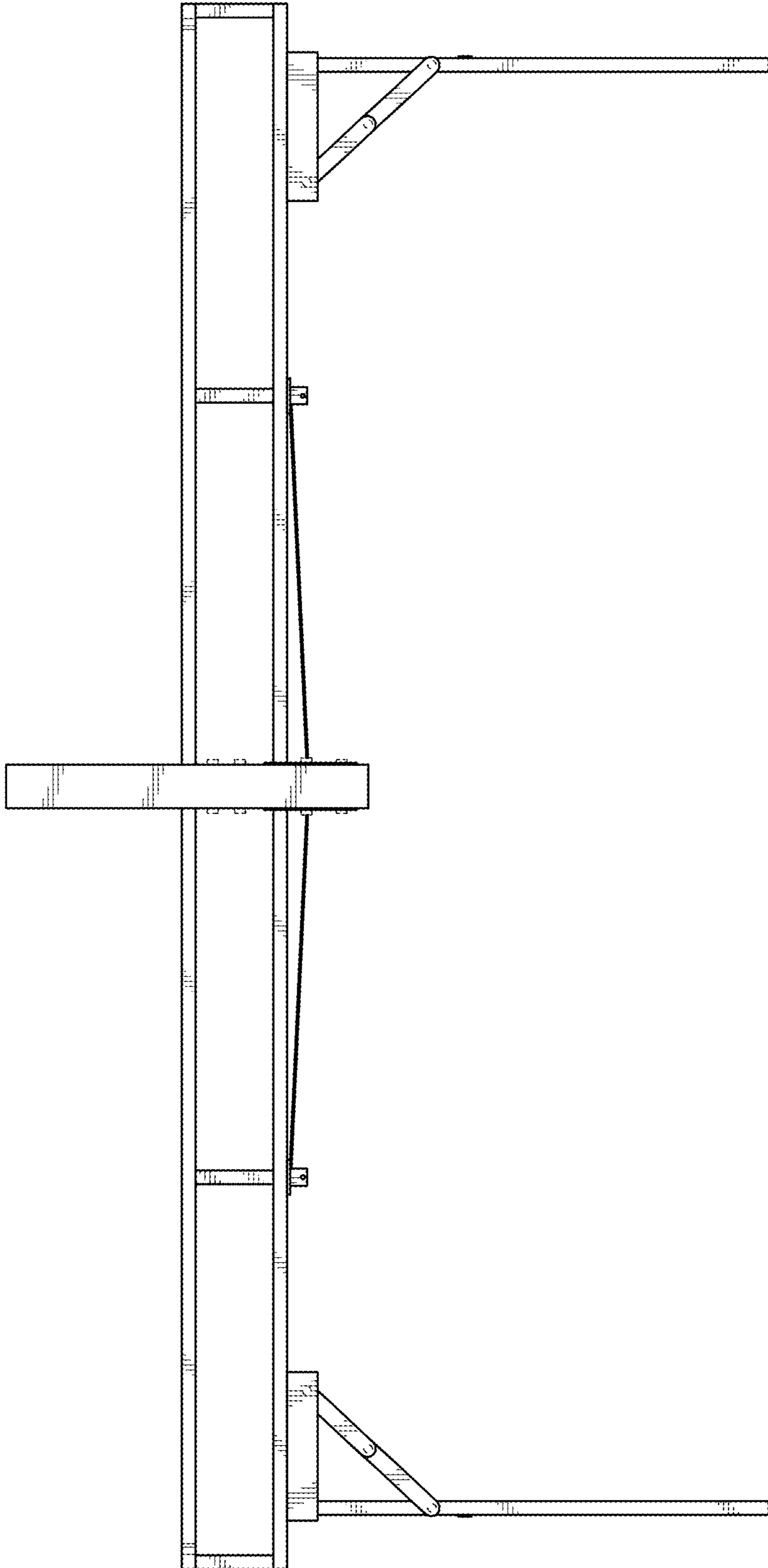


Fig. 5

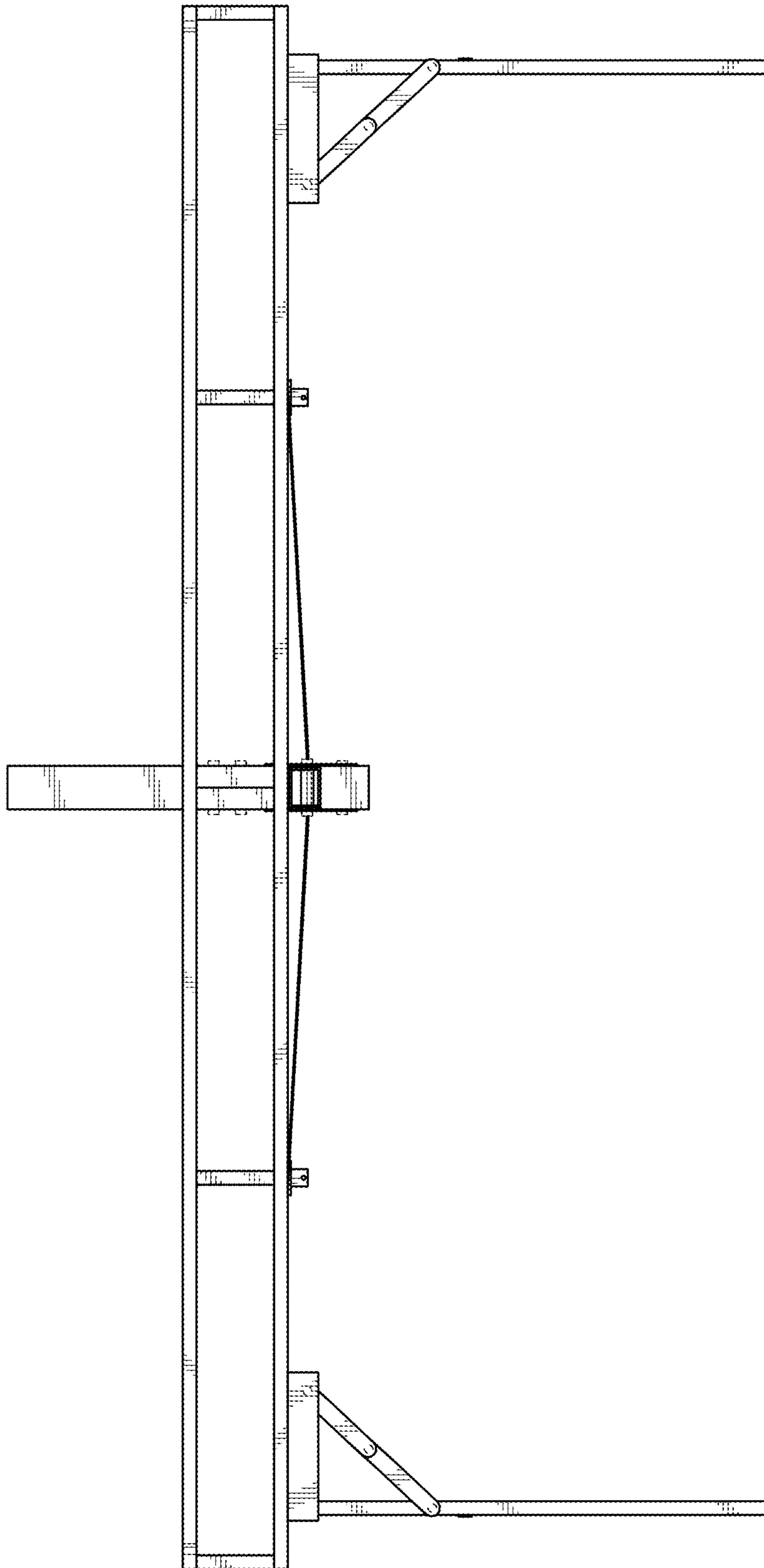


Fig. 6

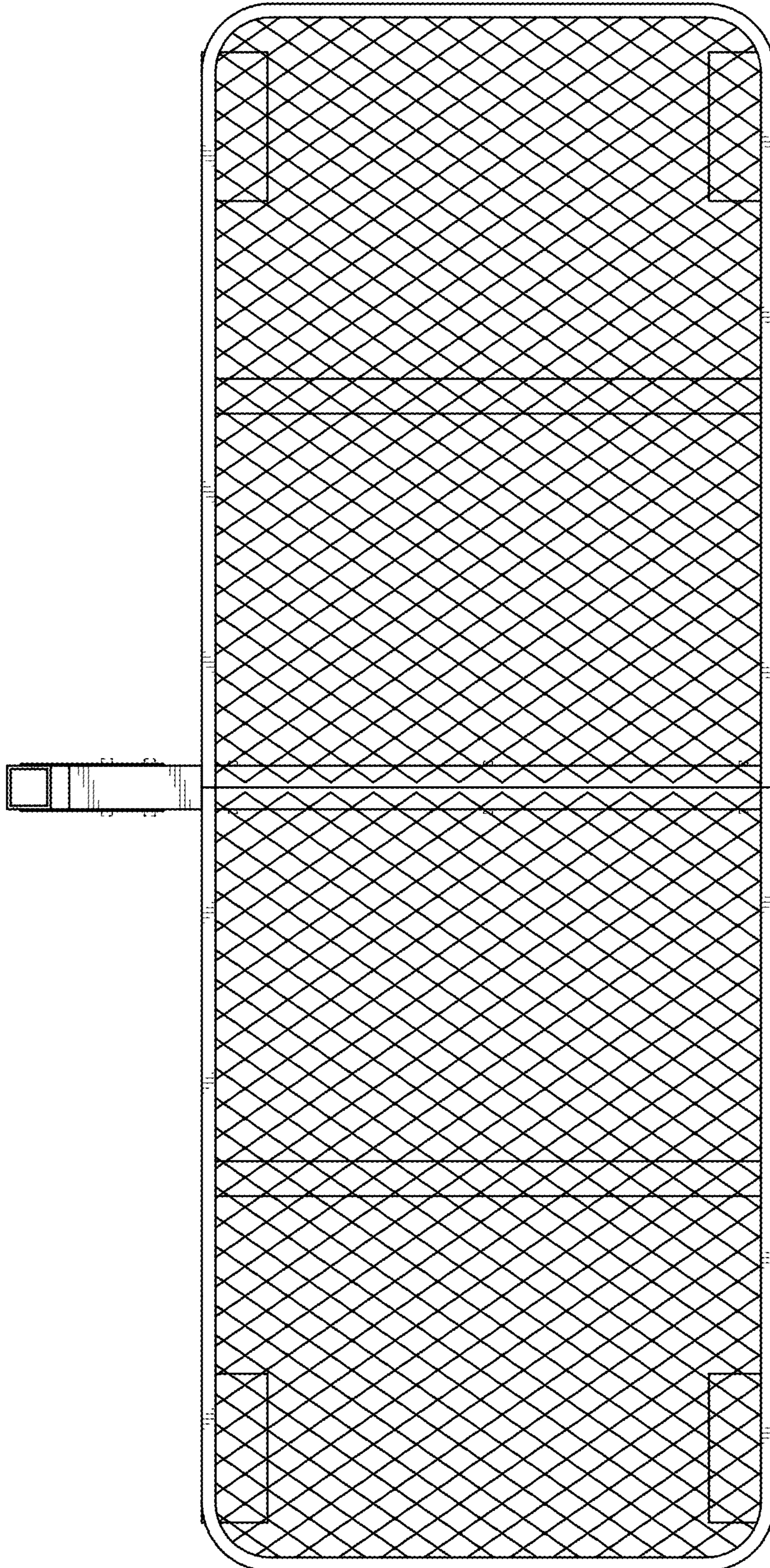


Fig. 7

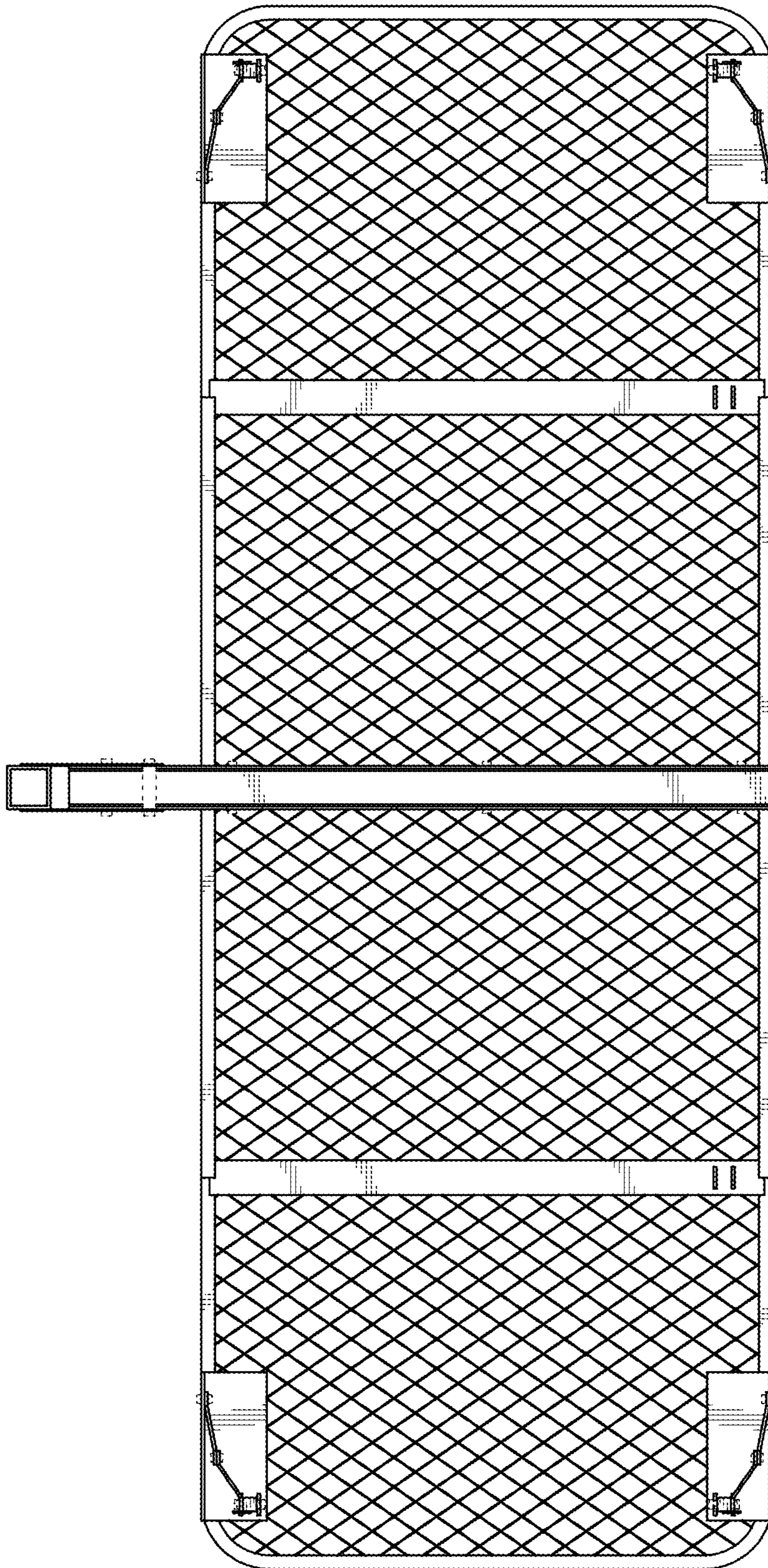


Fig. 8