



US00D912605S

(12) **United States Design Patent**
Miller et al.

(10) **Patent No.:** **US D912,605 S**
(45) **Date of Patent:** **** Mar. 9, 2021**

- (54) **ROOF RACK**
- (71) Applicant: **Tourig, LLC**, Golden, CO (US)
- (72) Inventors: **Eric Miller**, Golden, CO (US); **Michael J. Nickel**, Golden, CO (US)
- (73) Assignee: **TOURIG, LLC**, Golden, CO (US)
- (**) Term: **15 Years**
- (21) Appl. No.: **29/673,515**
- (22) Filed: **Dec. 14, 2018**
- (51) **LOC (13) Cl.** **12-16**
- (52) **U.S. Cl.**
USPC **D12/412**
- (58) **Field of Classification Search**
CPC B60R 9/04; B60R 9/048; B60R 9/045
See application file for complete search history.

D866,448 S * 11/2019 Ash B60R 9/00
D12/412
D879,013 S * 3/2020 Connellan D12/412
D881,790 S * 4/2020 Ni D12/406

* cited by examiner

Primary Examiner — Katrina A Betton

(74) *Attorney, Agent, or Firm* — Kilpatrick Townsend & Stockton, LLP

(57) **CLAIM**

The ornamental designs for the roof rack, as shown and described.

DESCRIPTION

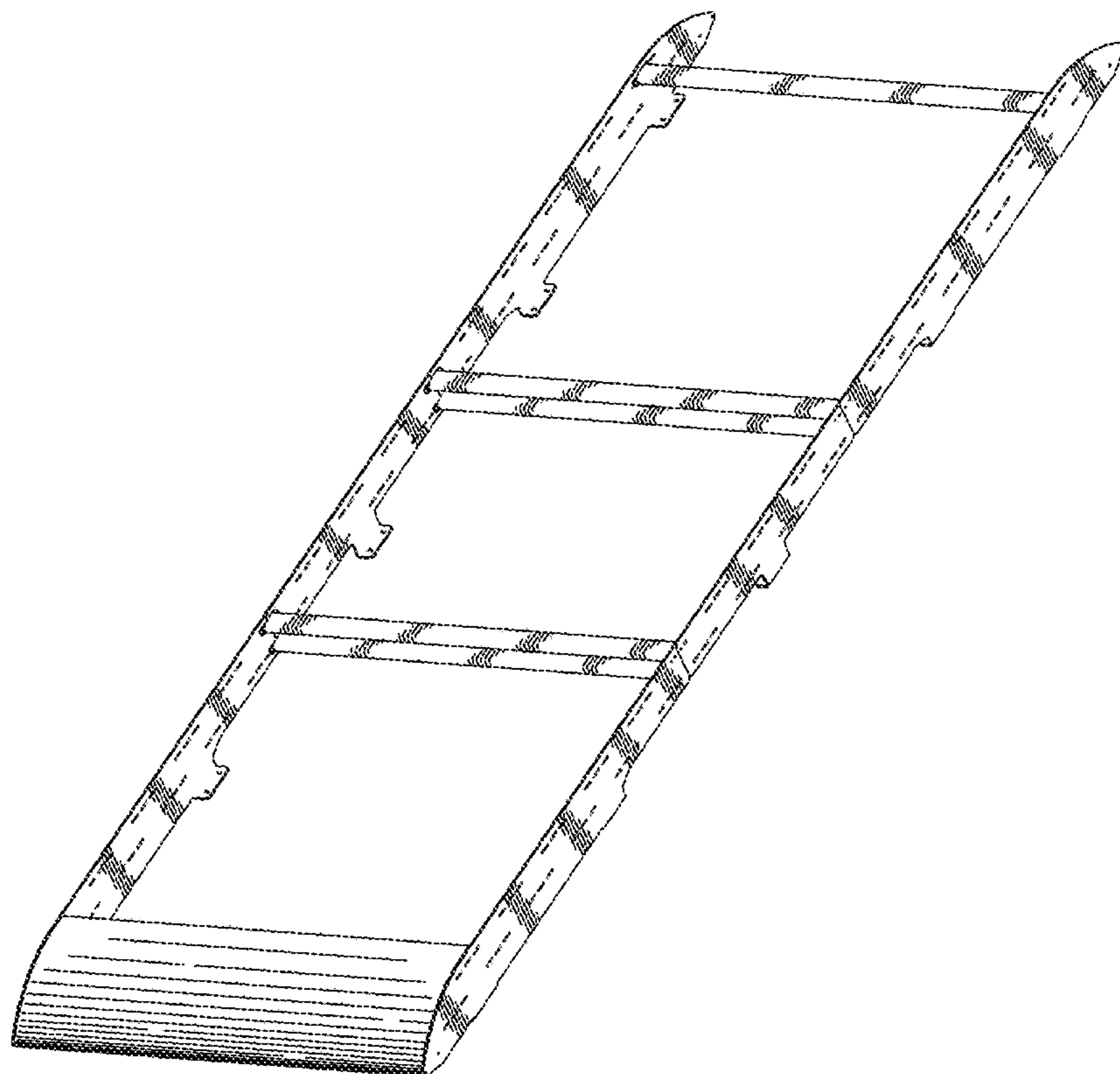
FIG. 1 is a top perspective view of a roof rack;
 FIG. 2 is a bottom perspective view of FIG. 1;
 FIG. 3 is a bottom plan view of FIG. 1;
 FIG. 4 is a top plan view of FIG. 1;
 FIG. 5 is a front view of FIG. 1;
 FIG. 6 is a back view of FIG. 1;
 FIG. 7 is a left side view of FIG. 1;
 FIG. 8 is a right side view of FIG. 1; and,
 FIG. 9 is a side view of the roof rack of FIG. 1 attached to an automotive vehicle.
 Any broken lines herein, or those added later by amendment, represent unclaimed subject matter and form no part of the claimed design.

(56) **References Cited**

U.S. PATENT DOCUMENTS

D459,287 S	*	6/2002	Beard	D12/406
D586,287 S	*	2/2009	McBride	D12/106
D713,775 S	*	9/2014	Lagermann	D12/406
D743,870 S	*	11/2015	Galley	D12/406
D849,665 S	*	5/2019	Badillo	D12/412
D856,262 S	*	8/2019	Marankie	D12/412
D859,284 S	*	9/2019	Badillo	D12/412
D863,202 S	*	10/2019	Yu	D12/412
D864,841 S	*	10/2019	Annett	D12/412
D865,645 S	*	11/2019	Wissiak	D12/412

1 Claim, 7 Drawing Sheets



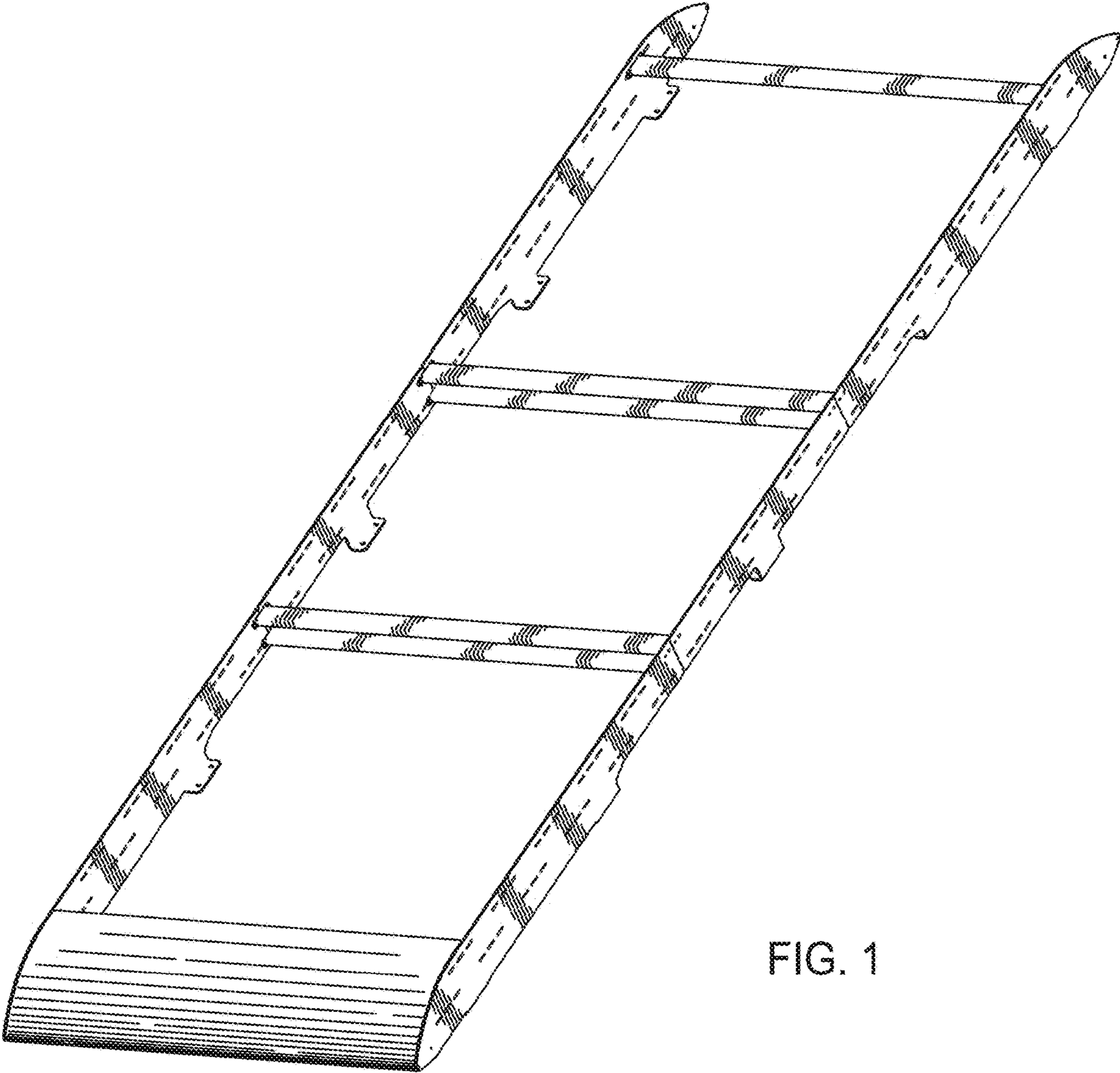


FIG. 1

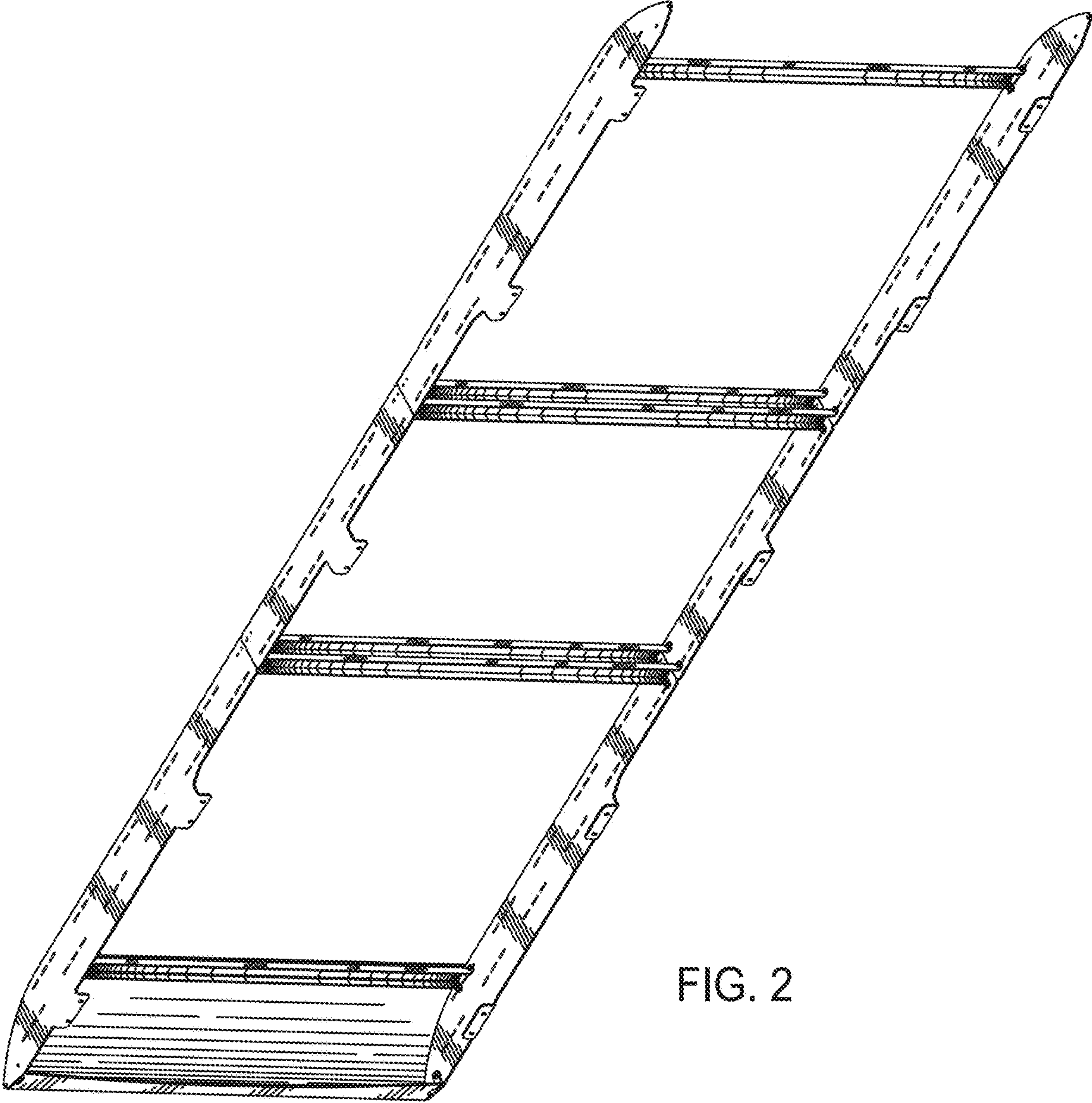


FIG. 2

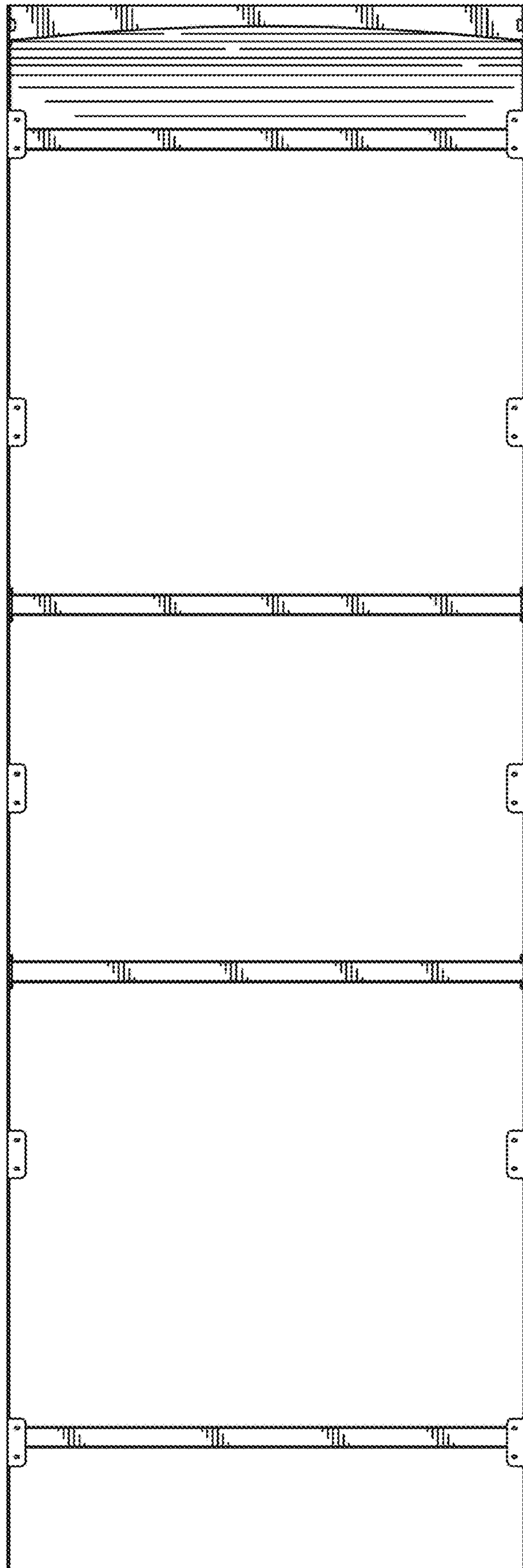


FIG. 3

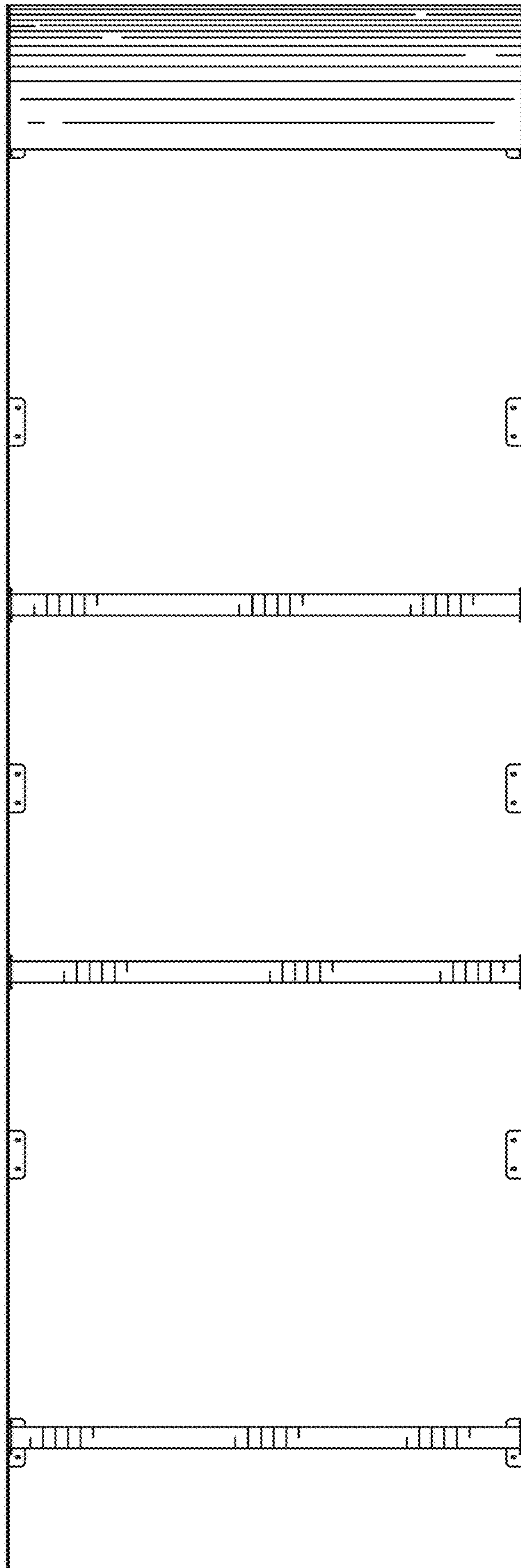


FIG. 4

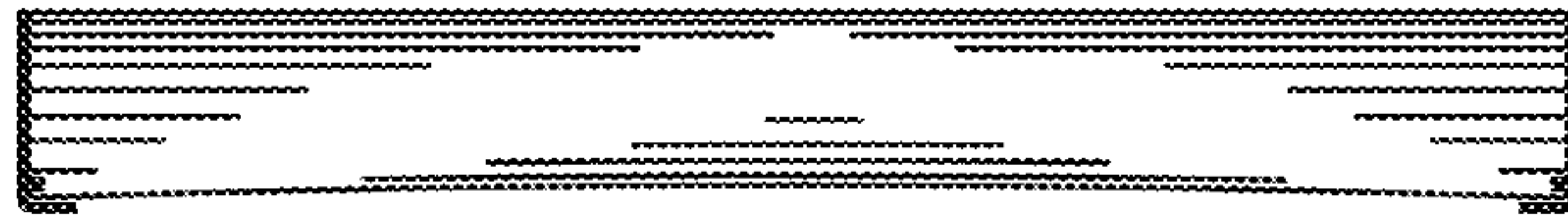


FIG. 5

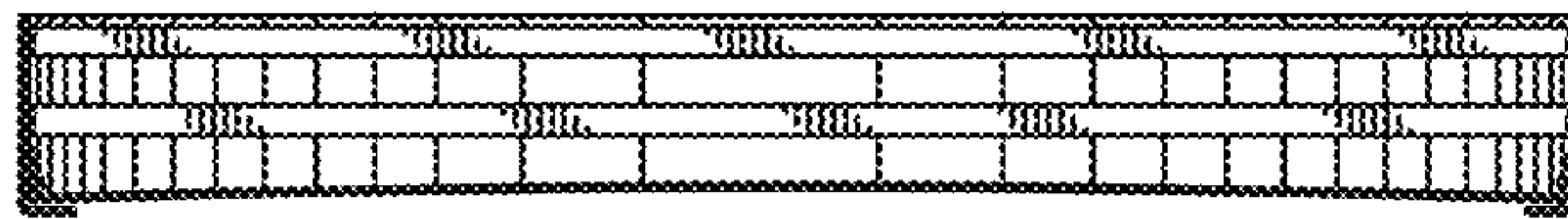


FIG. 6



FIG. 7



FIG. 8

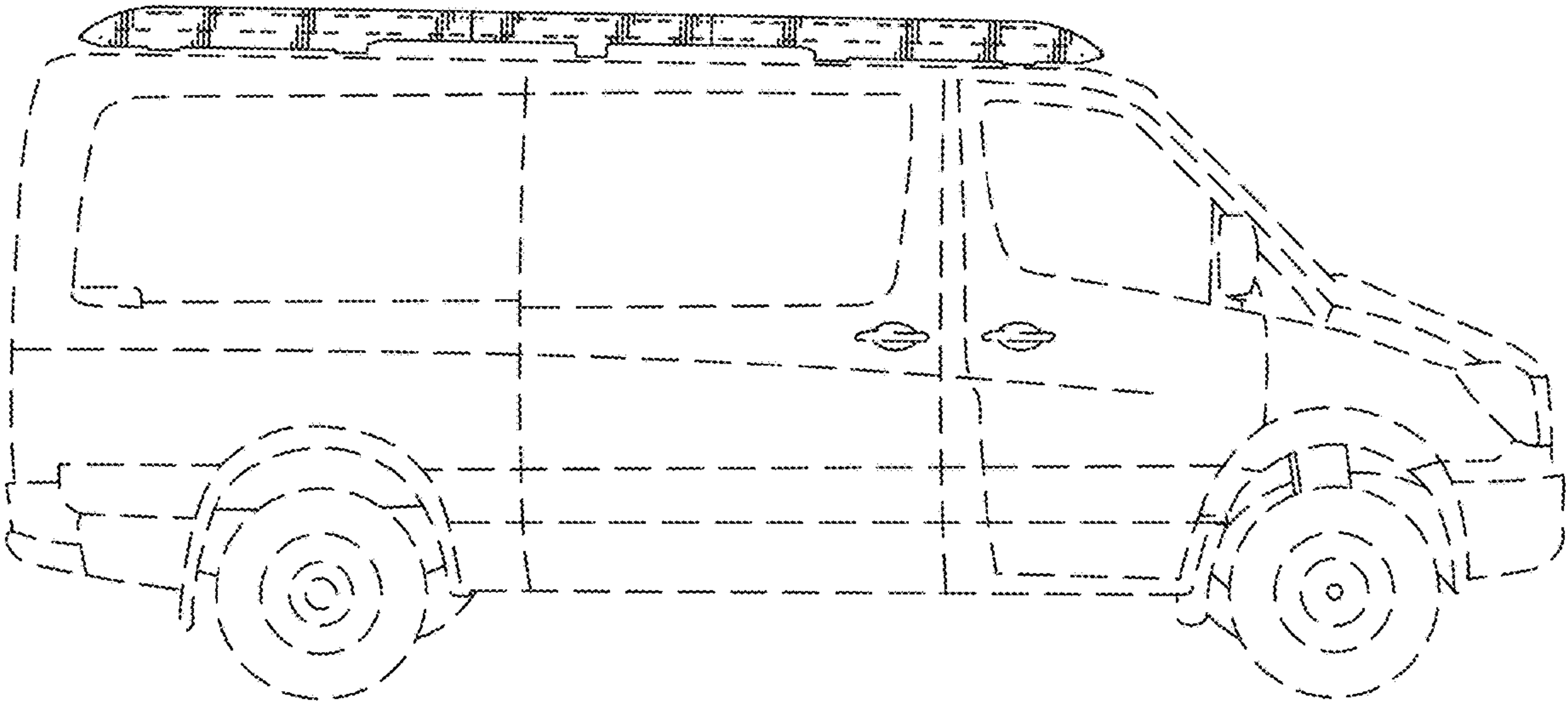


FIG. 9