



US00D912604S

(12) **United States Design Patent**
Huisman

(10) **Patent No.:** **US D912,604 S**

(45) **Date of Patent:** **** Mar. 9, 2021**

(54) **ADJUSTABLE TRUCK BED RACK SYSTEM**

(71) Applicant: **George Huisman**, Milford, MI (US)

(72) Inventor: **George Huisman**, Milford, MI (US)

(**) Term: **15 Years**

(21) Appl. No.: **29/706,341**

(22) Filed: **Sep. 19, 2019**

(51) **LOC (13) Cl.** **12-16**

(52) **U.S. Cl.**
USPC **D12/406**

(58) **Field of Classification Search**
USPC D12/82, 93, 96, 98, 99, 114, 181, 190,
D12/196, 222, 223, 400, 401, 406, 407,
D12/408, 409, 410, 412, 413, 414, 414.1
CPC B60R 9/00; B60R 9/02; B60R 9/04; B60R
9/06; B60R 9/08; B60R 9/10; B60R
9/045; B60R 9/048; B60R 9/055; B60R
9/058; B60P 3/32; B60P 3/40; B62D
33/0207

See application file for complete search history.

(56) **References Cited**

U.S. PATENT DOCUMENTS

D281,487 S *	11/1985	Chapman	D12/404
D286,143 S *	10/1986	Lund	D12/181
4,688,845 A *	8/1987	Kingsley	B62D 33/06 296/102
D295,084 S *	4/1988	Weber	D12/222
D305,529 S *	1/1990	Milby	D12/222
D305,633 S *	1/1990	Kingsley	D12/190
D306,848 S *	3/1990	Macor	D12/190
5,238,280 A *	8/1993	Christensen	B60R 9/00 296/3
D345,331 S *	3/1994	Smith	D12/222
D347,205 S *	5/1994	Huisman	D12/222
5,494,327 A *	2/1996	Derecktor	B60P 3/40 224/321
D394,639 S *	5/1998	Carter	D12/406
5,746,301 A	5/1998	Maier		

D398,284 S *	9/1998	Carter	D12/406
6,203,078 B1 *	3/2001	Karrer	B60P 1/54 293/111.1
6,203,259 B1 *	3/2001	Christensen	B60P 3/40 410/100
6,520,723 B2	2/2003	Christensen		
6,655,722 B2 *	12/2003	Bareket	B60P 3/40 224/405

(Continued)

Primary Examiner — Karen E Kearney

Assistant Examiner — Adam C Mager

(74) *Attorney, Agent, or Firm* — Blue Filament Law
PLLC

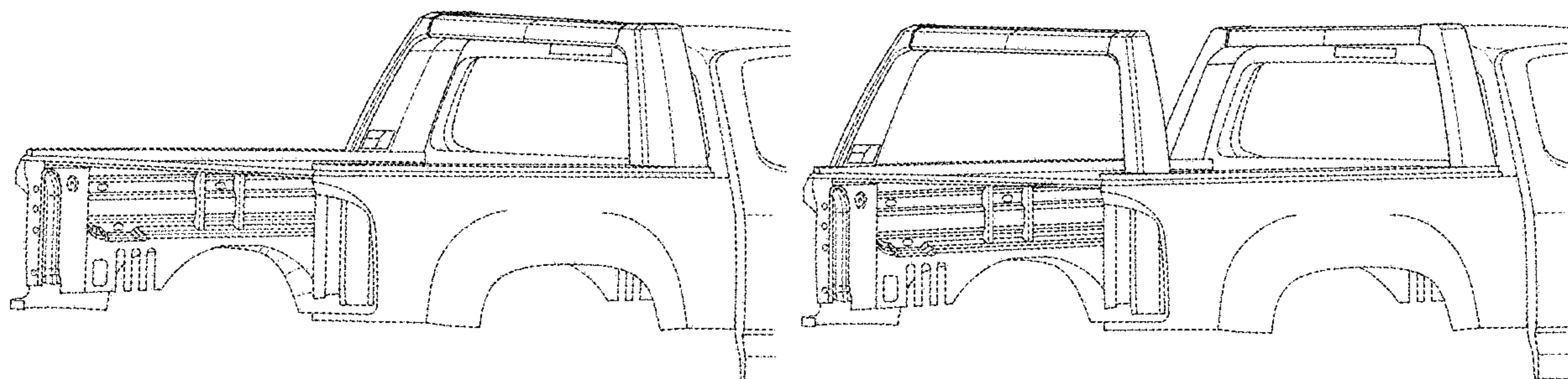
(57) **CLAIM**

The ornamental design for an adjustable truck bed rack system, as shown and described.

DESCRIPTION

FIG. 1 is a first perspective view of the system in a collapsed configuration;
 FIG. 2 is the first perspective view of the system depicted in FIG. 1 in an extended configuration;
 FIG. 3 is a second perspective view of the system depicted in FIG. 1 in the collapsed configuration;
 FIG. 4 is the second perspective view of the system depicted in FIG. 1 in the extended configuration;
 FIG. 5 is a left side view of the system depicted in FIG. 1 in the collapsed configuration, where the right side view is mirror image of FIG. 5;
 FIG. 6 is the side view of the system depicted in FIG. 1 in the extended configuration, where the right side view is mirror image of FIG. 6;
 FIG. 7 is a top view of the system depicted in FIG. 1 in the collapsed configuration; and,
 FIG. 8 is the top view of the system depicted in FIG. 1 in the extended configuration.
 The broken line is for the purpose of illustrating environmental structure and forms no part of claimed design.

1 Claim, 8 Drawing Sheets



(56)

References Cited

U.S. PATENT DOCUMENTS

6,971,563 B2 * 12/2005 Levi B60P 3/40
 224/403
 D582,337 S * 12/2008 Derecktor D12/406
 7,464,977 B1 * 12/2008 Price B60P 3/40
 296/26.05
 7,665,799 B1 * 2/2010 Winter, IV B60P 3/40
 296/183.1
 8,668,125 B2 * 3/2014 Williams B60R 9/06
 224/405
 9,132,784 B2 * 9/2015 Harrison B60R 9/045
 D763,170 S * 8/2016 Marankie D12/414
 9,796,428 B1 10/2017 Tamaddon-Dallal et al.
 D810,654 S 2/2018 Dionisopoulos et al.
 D866,447 S * 11/2019 Ash D12/412
 10,543,790 B2 * 1/2020 Marr, Jr. B60R 9/00
 2002/0167186 A1 11/2002 Morse et al.
 2003/0080167 A1 5/2003 Kmita et al.
 2003/0184110 A1 10/2003 Voves
 2008/0100075 A1 * 5/2008 Derecktor B60P 3/40
 296/3
 2015/0203050 A1 * 7/2015 Finestone B60P 3/40
 296/3
 2015/0258940 A1 * 9/2015 Breeden B60R 9/045
 224/405
 2016/0090048 A1 * 3/2016 Crandall B60R 9/06
 224/403
 2016/0159290 A1 6/2016 Tamaddon-Dallal et al.
 2017/0166264 A1 6/2017 Puchkoff
 2018/0050644 A1 2/2018 Singer
 2018/0111562 A1 4/2018 Crandall et al.
 2020/0102024 A1 * 4/2020 Crandall B60R 9/02

* cited by examiner

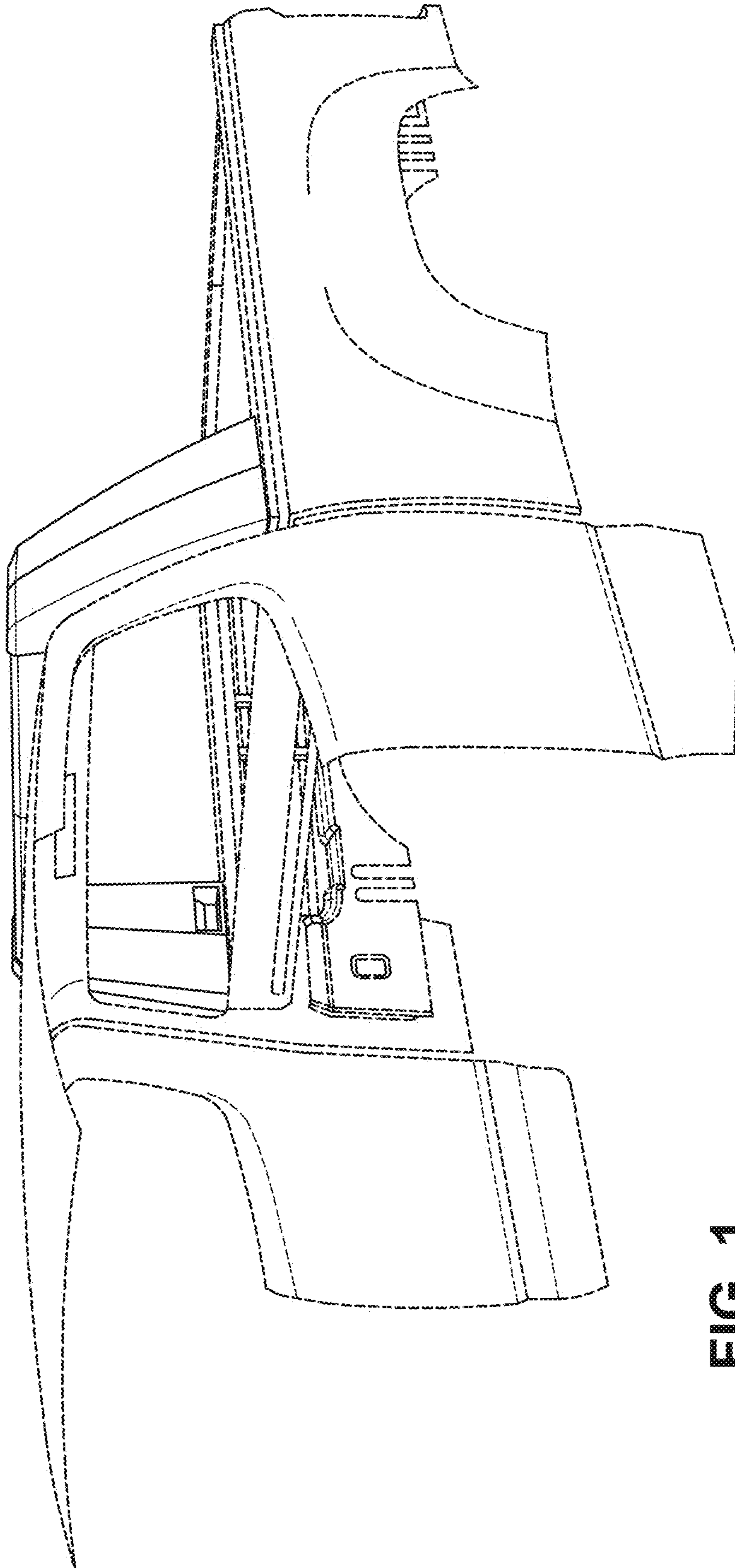


FIG. 1

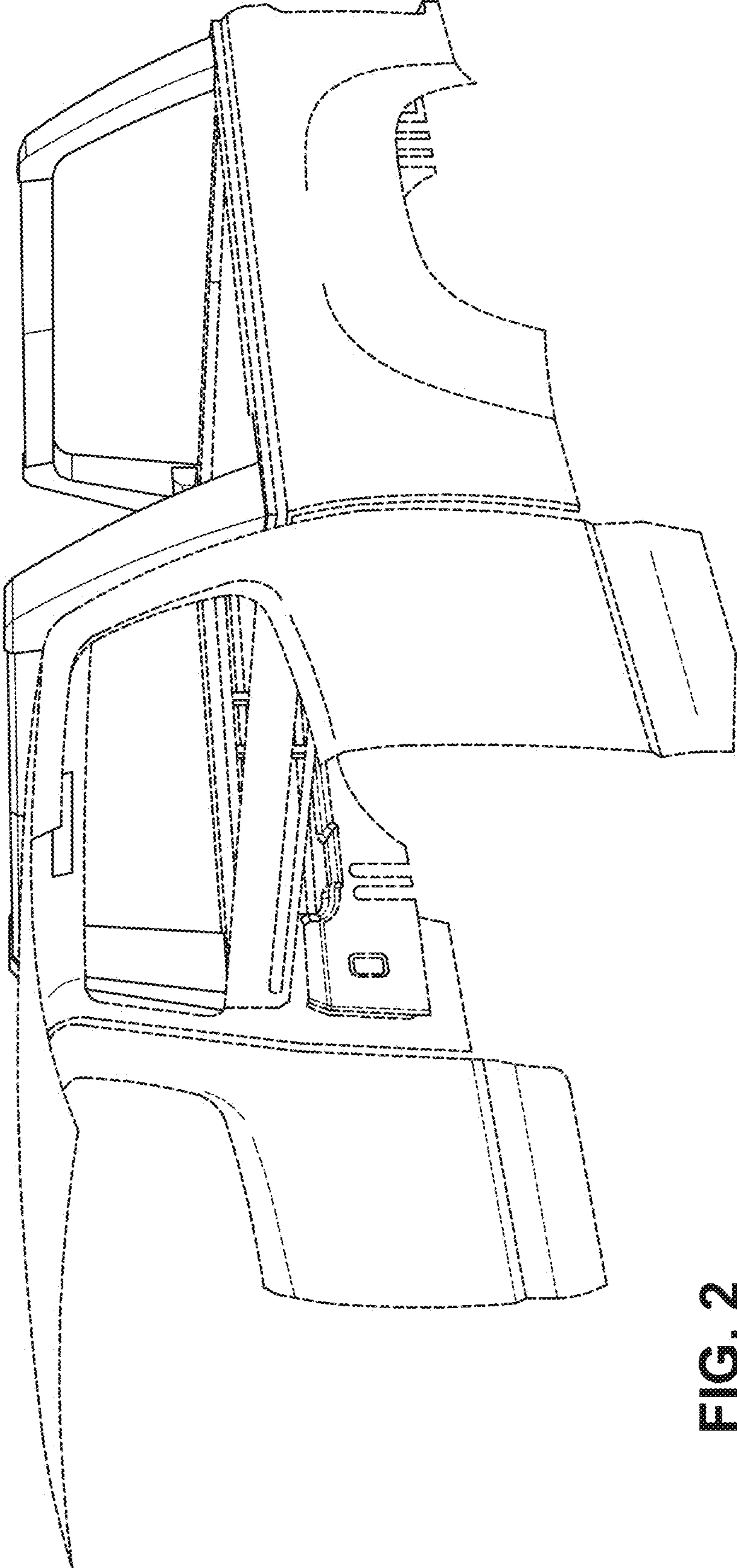


FIG. 2

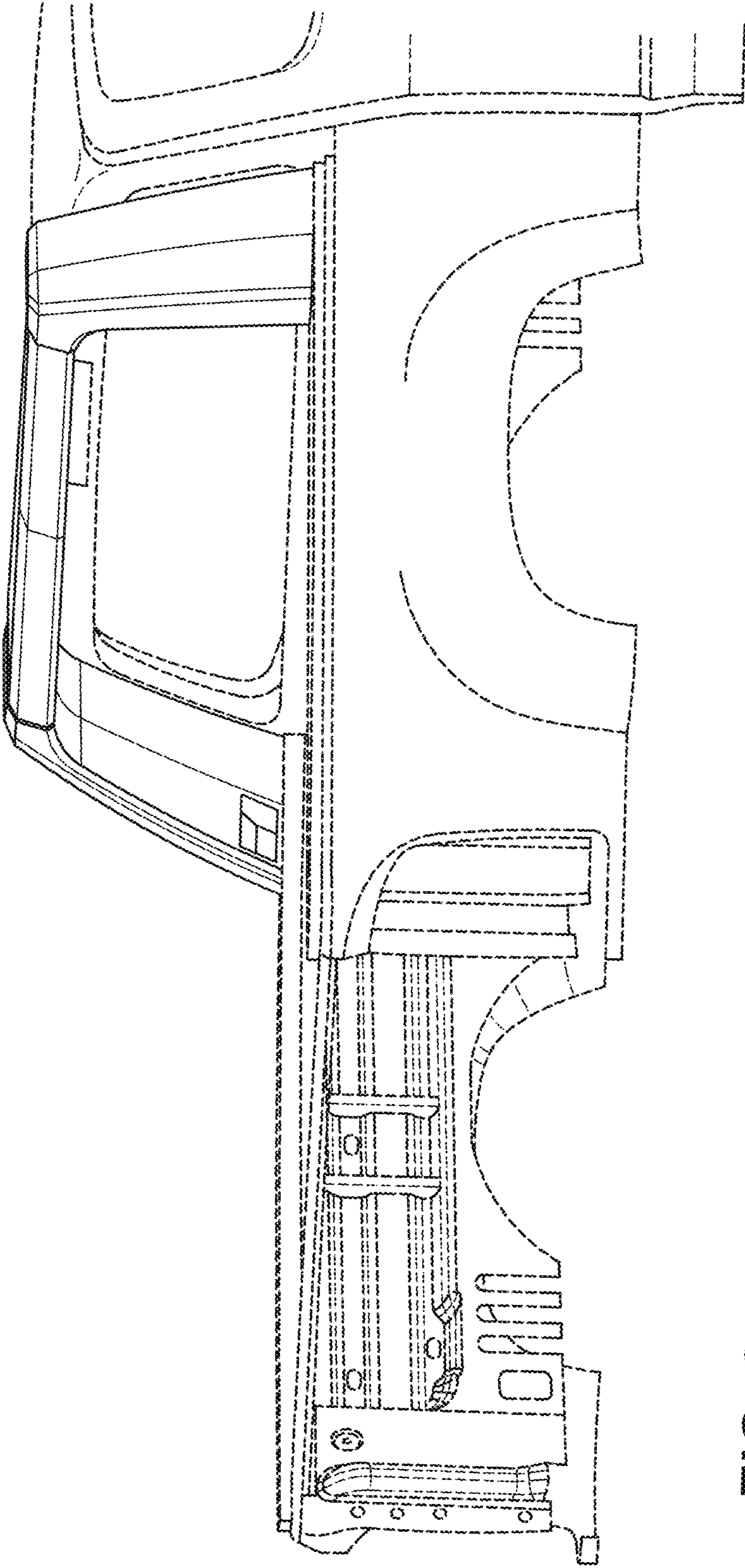


FIG. 3

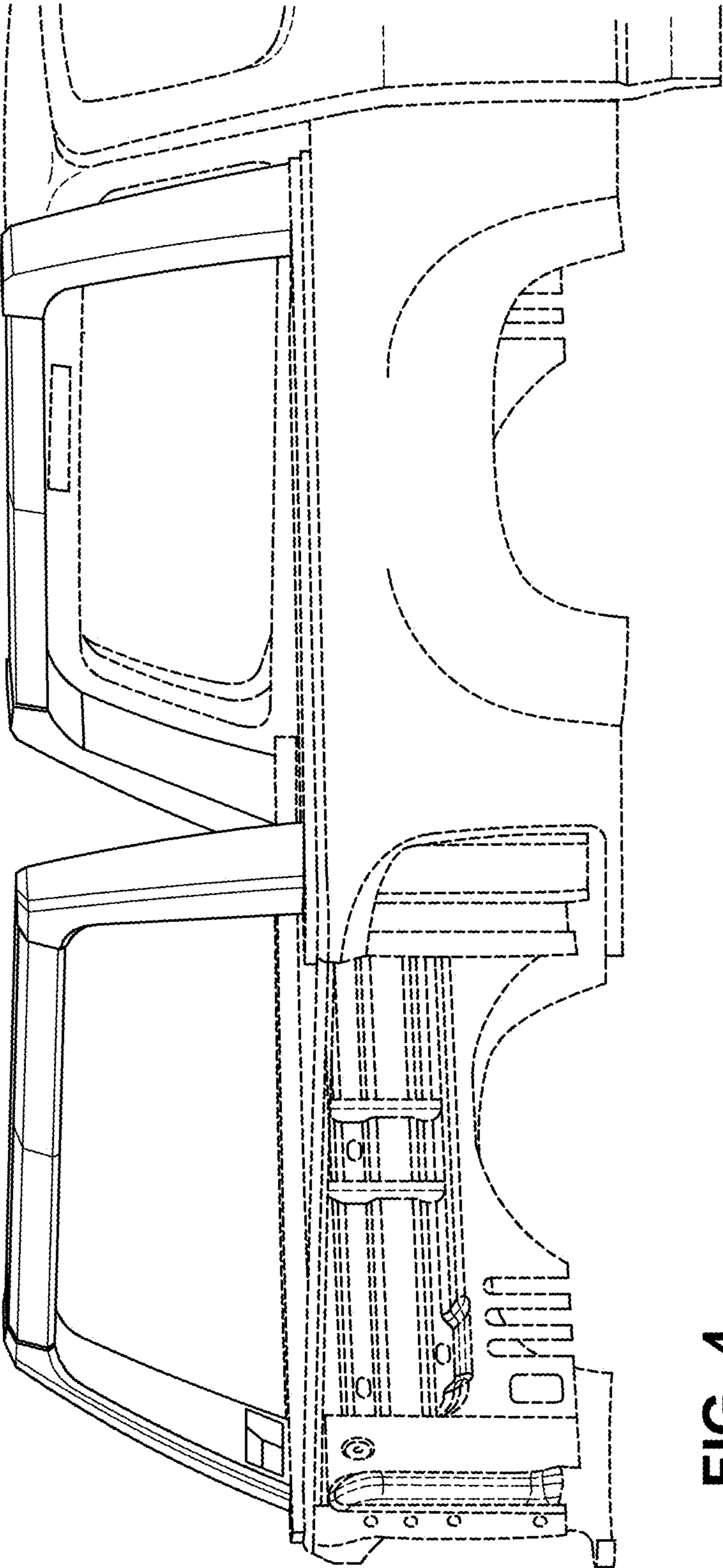


FIG. 4

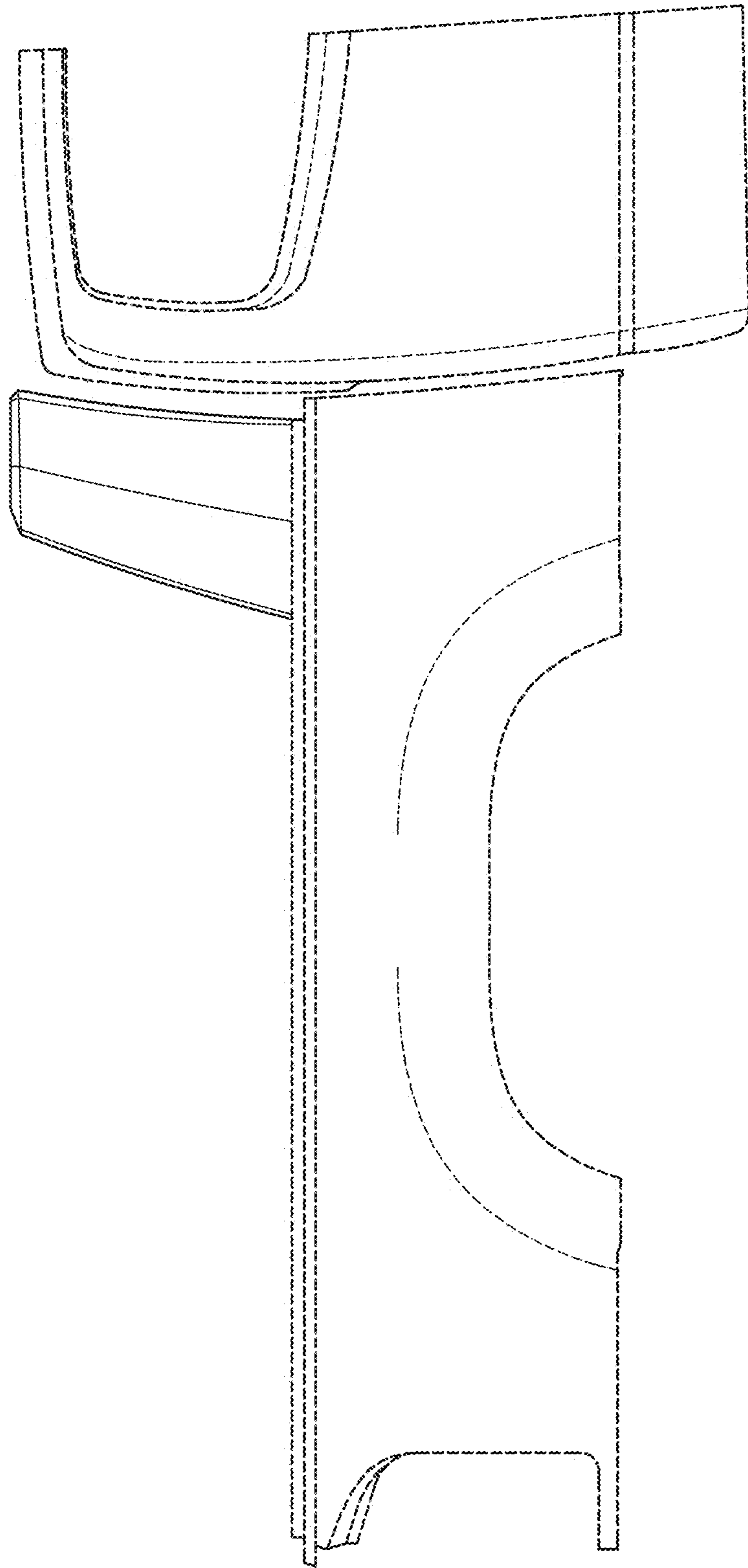


FIG. 5

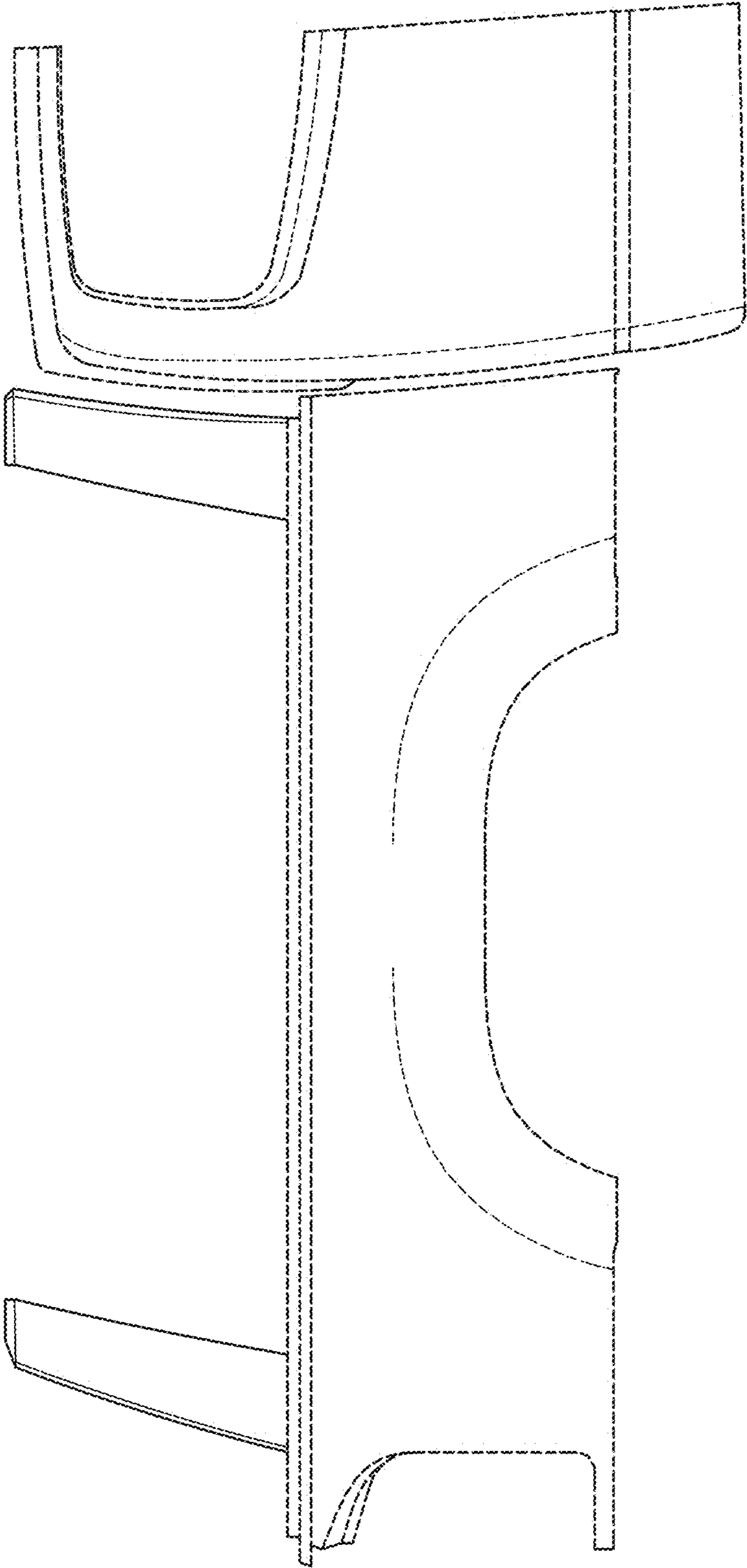


FIG. 6

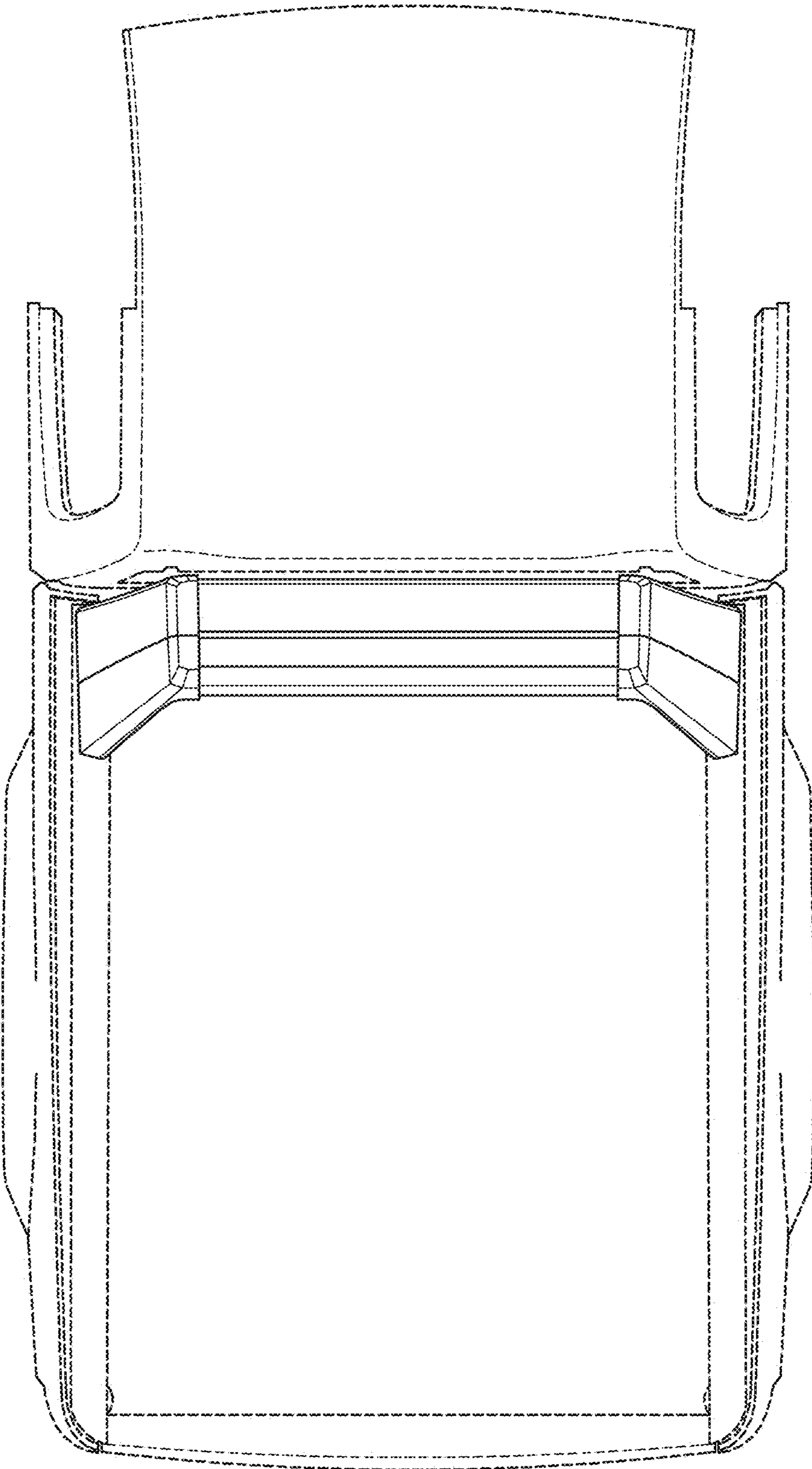


FIG. 7

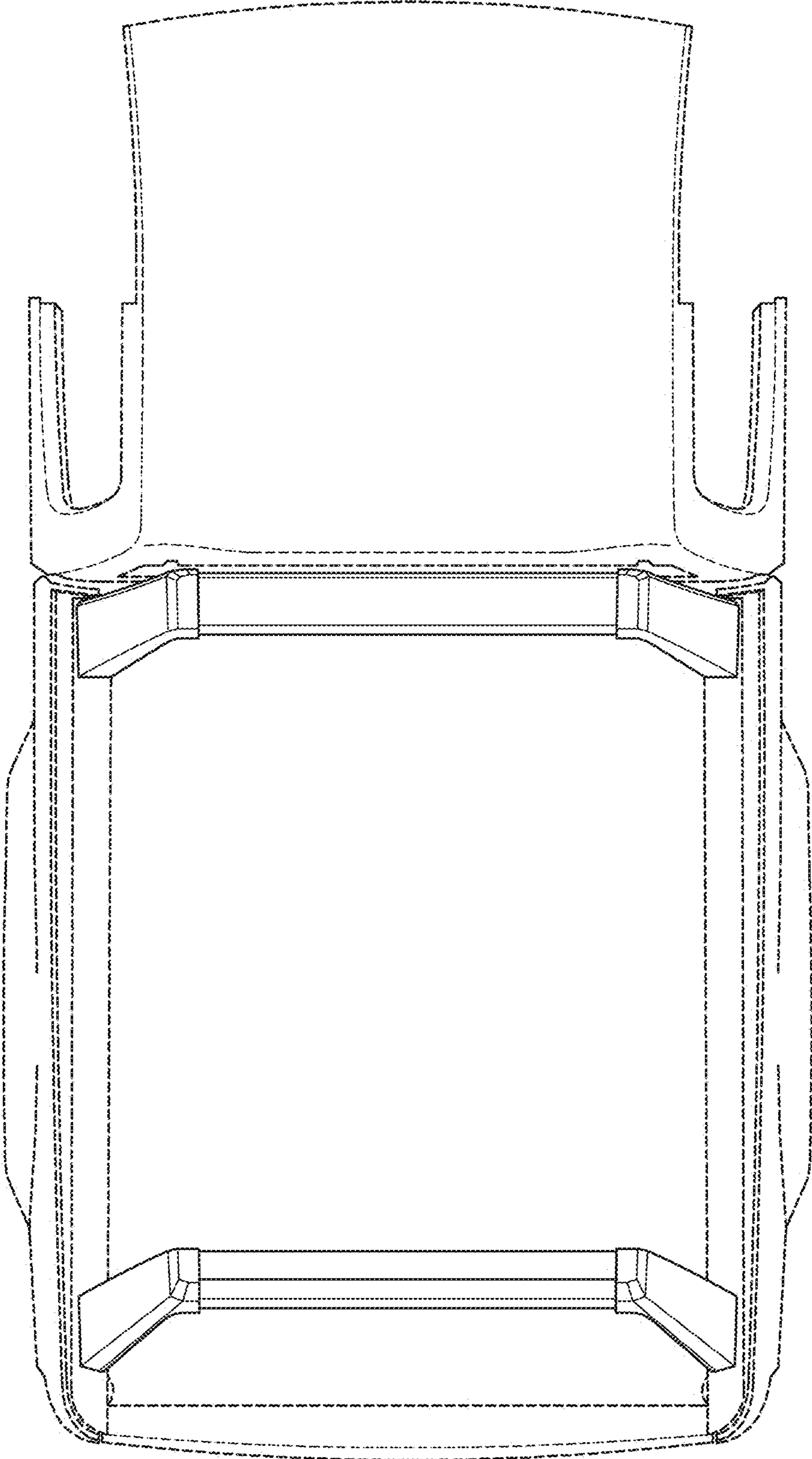


FIG. 8