



US00D912602S

(12) **United States Design Patent**  
**Morrison et al.**

(10) **Patent No.:** **US D912,602 S**  
(45) **Date of Patent:** **\*\* Mar. 9, 2021**

(54) **SET OF AIRCRAFT PROPELLER BOOM ARMS**

(71) Applicant: **Alakai Technologies Corporation**,  
Hopkinton, MA (US)

(72) Inventors: **Brian D. Morrison**, Hopkinton, MA  
(US); **Andre H. De Salis**, Pasadena,  
CA (US); **Martti J. Lampela**, Los  
Angeles, CA (US); **Adil M. Ali**,  
Thousand Oaks, CA (US); **Peter F.  
Fait**, Thousand Oaks, CA (US)

(73) Assignee: **Alakai Technologies Corporation**,  
Hopkinton, MA (US)

(\*\*) Term: **15 Years**

(21) Appl. No.: **29/692,501**

(22) Filed: **May 24, 2019**

(51) **LOC (13) Cl.** ..... **12-01**

(52) **U.S. Cl.**  
USPC ..... **D12/345**

(58) **Field of Classification Search**  
USPC ..... D12/1, 2, 3, 4, 16.1, 174, 196, 319–345,  
D12/404, 405; D15/436–455; D13/109  
CPC ..... B64C 29/0033; B64C 2201/021; B64C  
29/02; B64C 2201/088; B64C 2201/104;  
B64C 2201/141  
See application file for complete search history.

(56) **References Cited**

U.S. PATENT DOCUMENTS

D782,365 S \* 3/2017 Hung ..... D12/16.1  
D785,541 S \* 5/2017 Du ..... D12/328  
D795,967 S \* 8/2017 Haley ..... D12/16.1  
D798,797 S \* 10/2017 Lee ..... D12/345  
D798,964 S \* 10/2017 Lee ..... D21/453

D808,301 S \* 1/2018 Goldy ..... D12/16.1  
D809,992 S \* 2/2018 Hu ..... D12/328  
D813,723 S \* 3/2018 Ahn ..... D12/16.1  
D814,972 S \* 4/2018 Ahn ..... D12/16.1  
D831,538 S \* 10/2018 Gan ..... D12/16.1  
D858,353 S \* 9/2019 Gan ..... D12/16.1  
2017/0247113 A1\* 8/2017 Sanlerville ..... B64C 27/08  
2020/0079520 A1\* 3/2020 Demizu ..... B64D 27/24

\* cited by examiner

*Primary Examiner* — John A Voytek

(74) *Attorney, Agent, or Firm* — Morse, Barnes-Brown &  
Pendleton, P.C.; Sean D. Detweiler, Esq.

(57) **CLAIM**

The ornamental design for a set of aircraft propeller boom arms, as shown and described.

**DESCRIPTION**

FIG. 1 is a left side plan view of the set of aircraft propeller boom arms;

FIG. 2 is a right side plan view of the set of aircraft propeller boom arms;

FIG. 3 is a front plan view of the set of aircraft propeller boom arms;

FIG. 4 is a back plan view of the set of aircraft propeller boom arms;

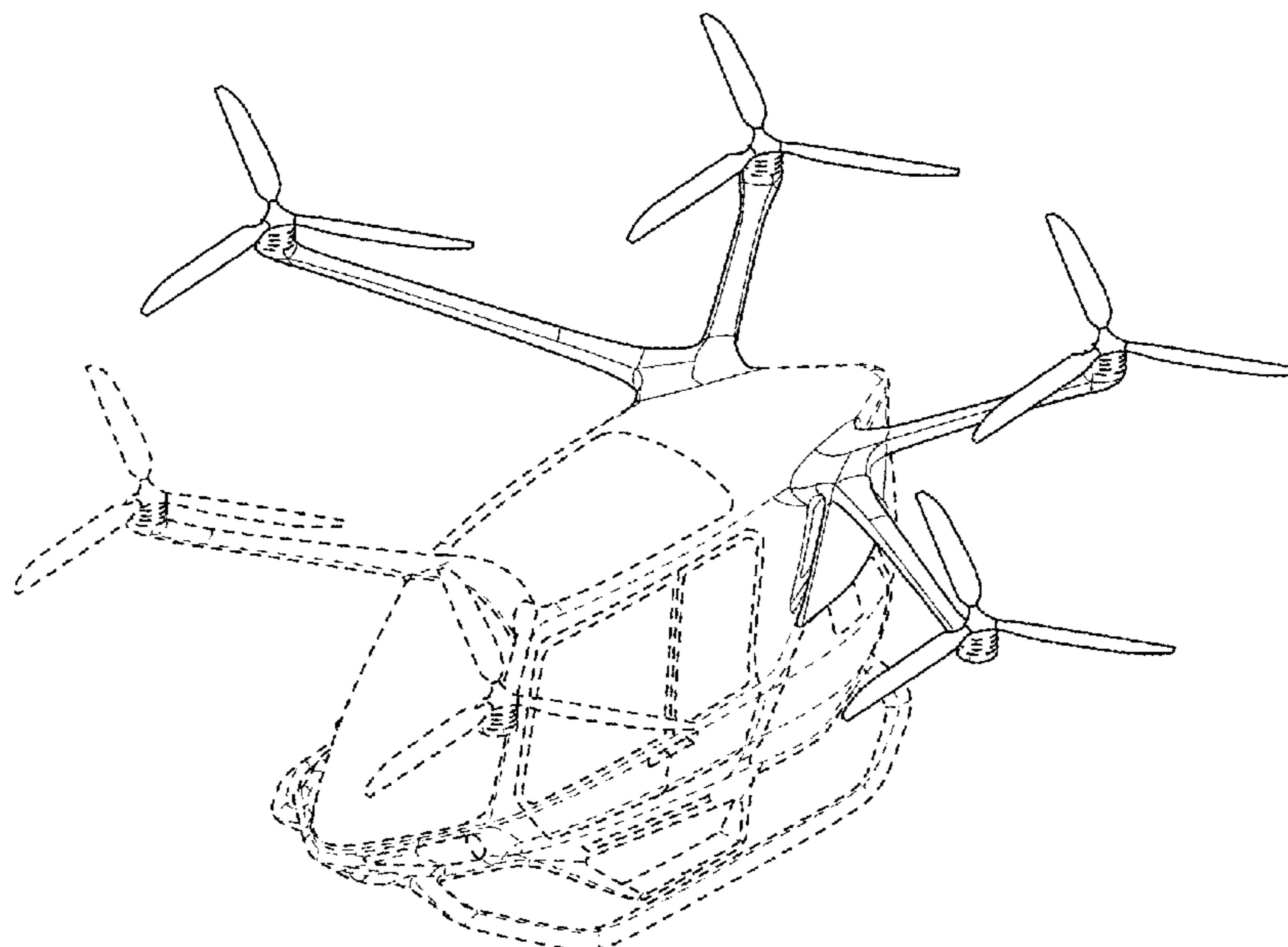
FIG. 5 is a top plan view of the set of aircraft propeller boom arms;

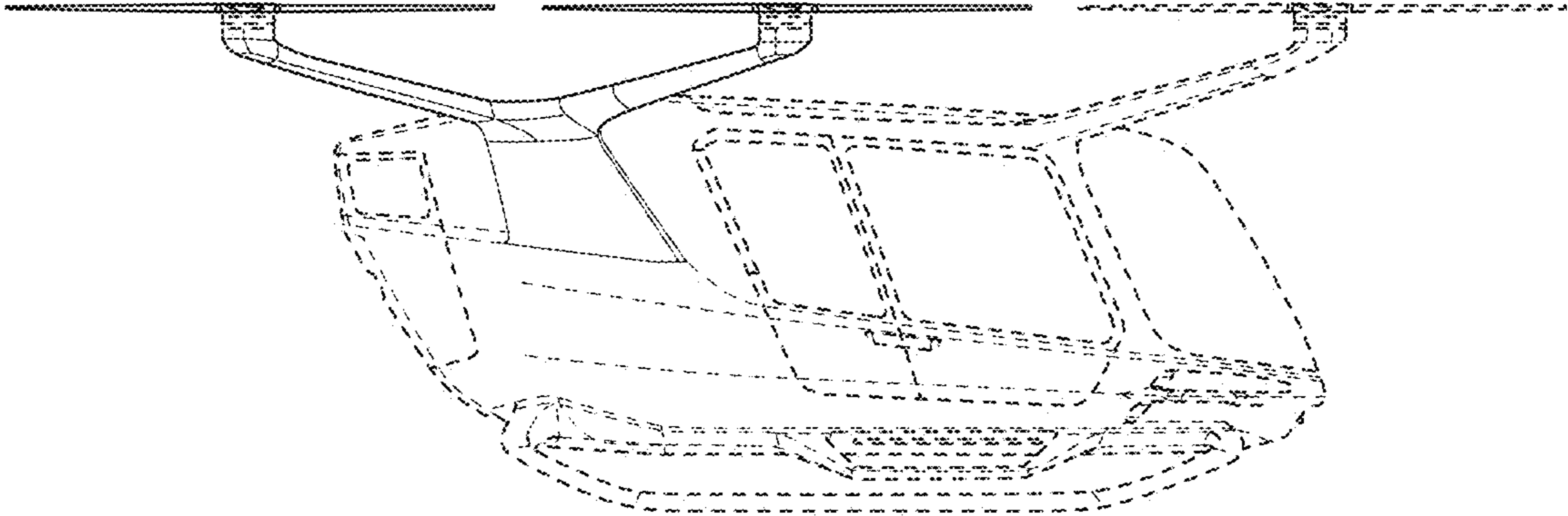
FIG. 6 is a bottom plan view of the set of aircraft propeller boom arms; and,

FIG. 7 is a front right elevated isometric view of the set of aircraft propeller boom arms.

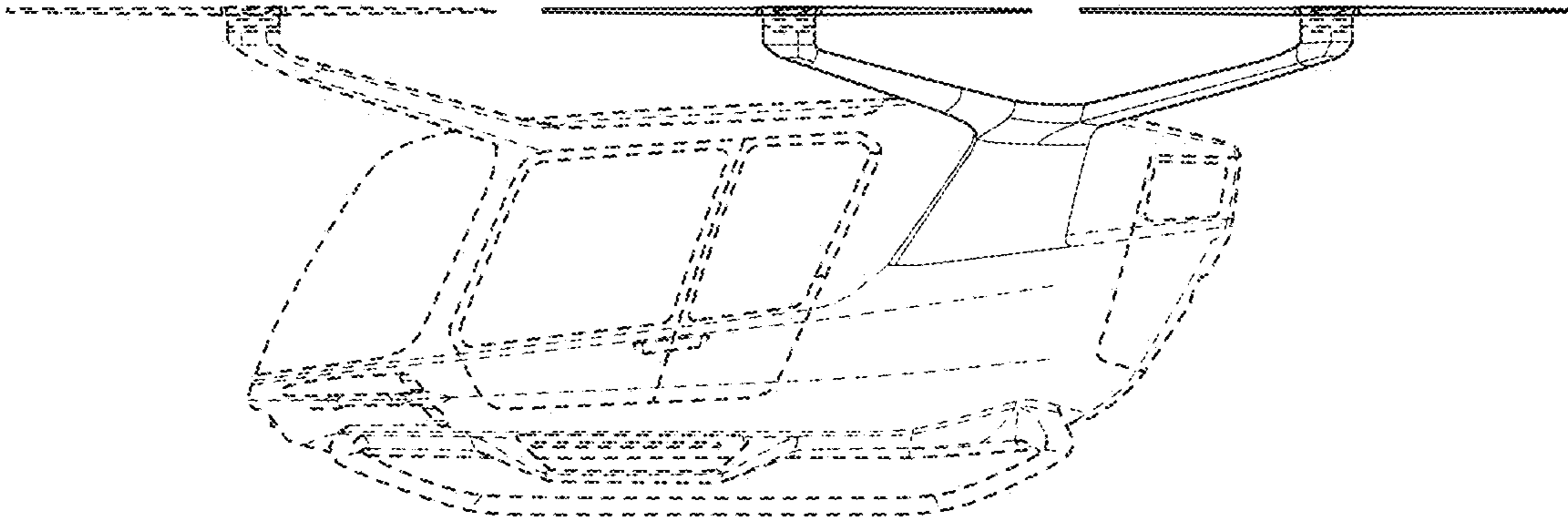
The broken line showing of the aircraft is for the purpose of illustrating the environmental structure in which the claimed elements are found and forms no part of the claimed design. In addition, thick lines are used to outline objects, while thin lines show contours.

**1 Claim, 4 Drawing Sheets**

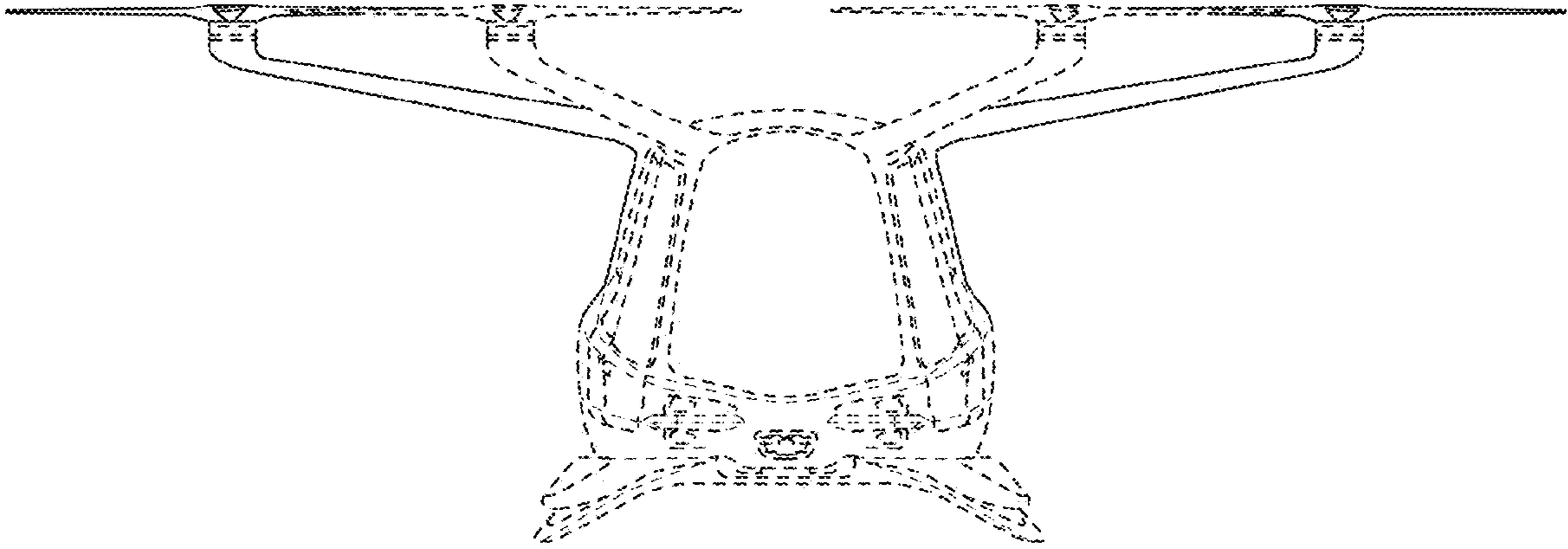




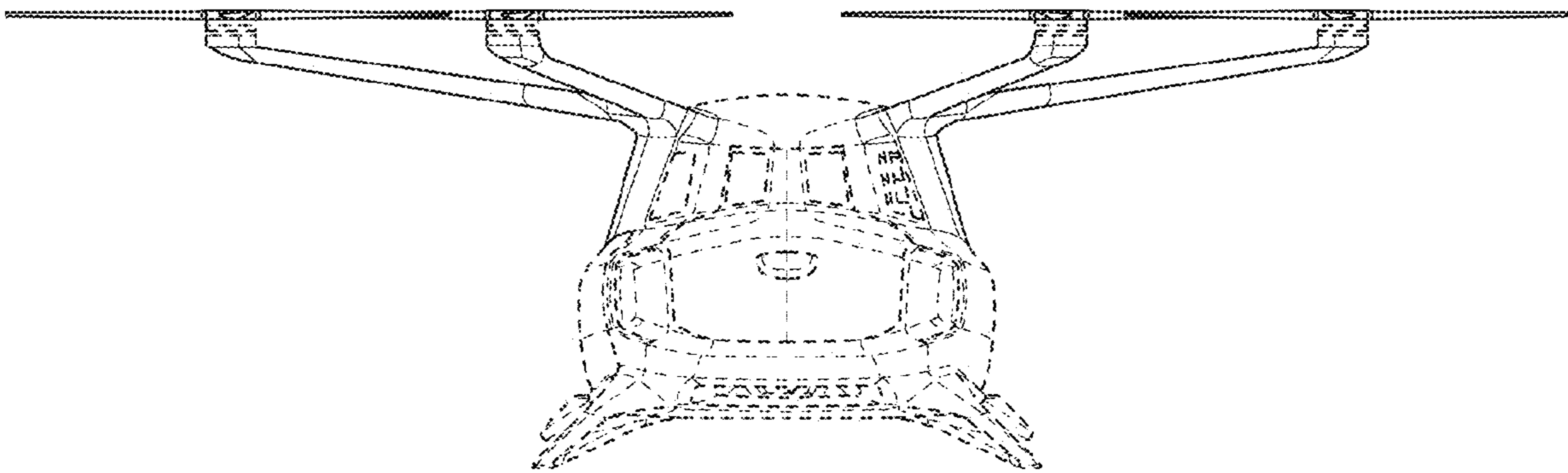
*Fig. 1*



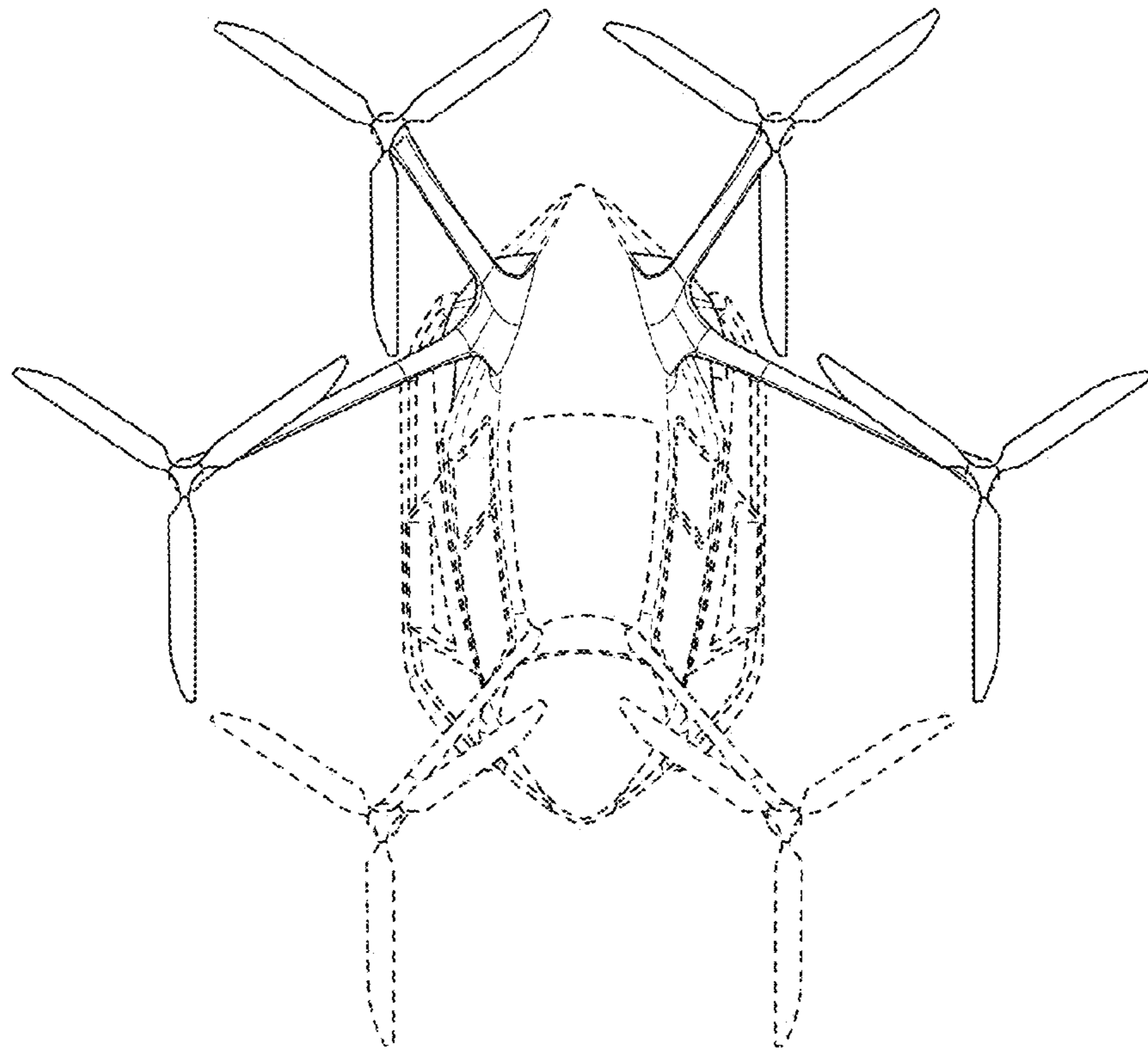
*Fig. 2*



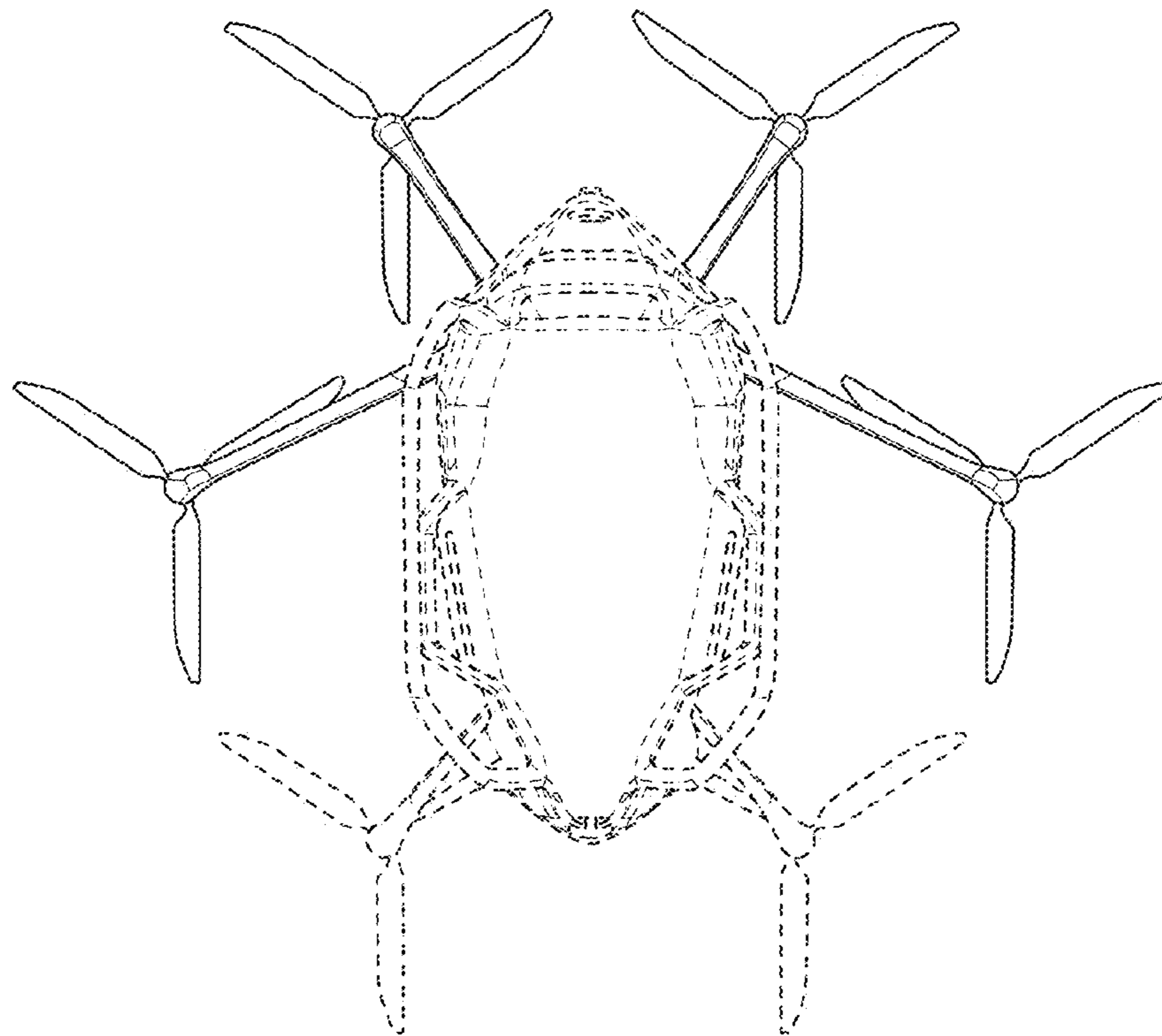
*Fig. 3*



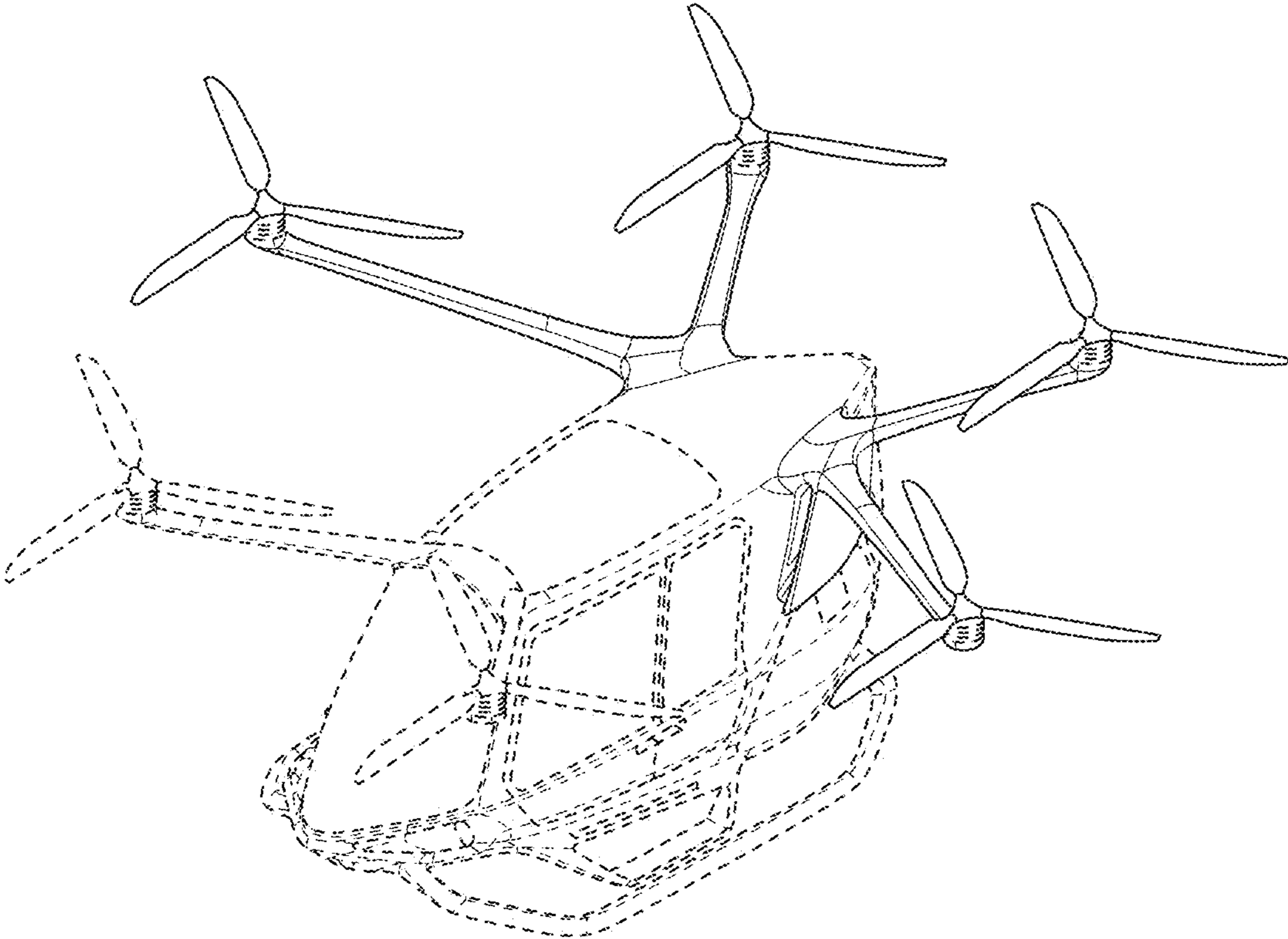
*Fig. 4*



*Fig. 5*



*Fig. 6*



*Fig. 7*