



US00D912601S

(12) **United States Design Patent** (10) **Patent No.:** **US D912,601 S**
Morrison et al. (45) **Date of Patent:** **** Mar. 9, 2021**

(54) **SET OF AIRCRAFT LANDING SKIDS**

(71) Applicant: **Alakai Technologies Corporation**,
Hopkinton, MA (US)

(72) Inventors: **Brian D. Morrison**, Hopkinton, MA
(US); **Andre H. De Salis**, Pasadena,
CA (US); **Martti J. Lampela**, Los
Angeles, CA (US); **Adil M. Ali**,
Thousand Oaks, CA (US); **Peter F.**
Falt, Thousand Oaks, CA (US)

(73) Assignee: **Alakai Technologies Corporation**,
Hopkinton, MA (US)

(**) Term: **15 Years**

(21) Appl. No.: **29/692,489**

(22) Filed: **May 24, 2019**

(51) **LOC (13) Cl.** **12-07**

(52) **U.S. Cl.**
USPC **D12/345**

(58) **Field of Classification Search**
USPC D12/1, 2, 3, 4, 16.1, 174, 319-345;
D15/436-455; D13/109
CPC B64C 29/0033; B64C 2201/021; B64C
29/02; B64C 2201/088; B64C 2201/104;
B64C 2201/141
See application file for complete search history.

6,244,538 B1 * 6/2001 Howard B64C 25/52
244/104 R

8,919,694 B2 * 12/2014 Amante B64C 25/52
244/108

D785,541 S * 5/2017 Du D12/328

D806,636 S * 1/2018 Lee D12/345

D864,083 S * 10/2019 Zhou D12/328

D875,602 S * 2/2020 Xu D12/16.1

2013/0248650 A1 * 9/2013 Gorlich B64C 25/52
244/108

2015/0321755 A1 * 11/2015 Martin B64C 39/024
244/17.23

2016/0244155 A1 * 8/2016 Amante B64C 25/52

2018/0346136 A1 * 12/2018 Arkus B64C 27/08

2020/0079520 A1 * 3/2020 Demizu B64D 27/24

* cited by examiner

Primary Examiner — John A Voytek
(74) *Attorney, Agent, or Firm* — Morse, Barnes-Brown &
Pendleton, P.C.; Sean D. Detweiler, Esq.

(57) **CLAIM**

The ornamental design for a set of aircraft landing skids, as shown and described.

DESCRIPTION

FIG. 1 is a front plan view of the set of aircraft landing skids; FIG. 2 is a rear plan view of the set of aircraft landing skids; FIG. 3 is a right side plan view of the set of aircraft landing skids; FIG. 4 is a left side plan view of the set of aircraft landing skids; and, FIG. 5 is a bottom plan view of the set of aircraft landing skids.

The broken line showing of the aircraft is for the purpose of illustrating the environmental structure in which the claimed elements are found and forms no part of the claimed design.

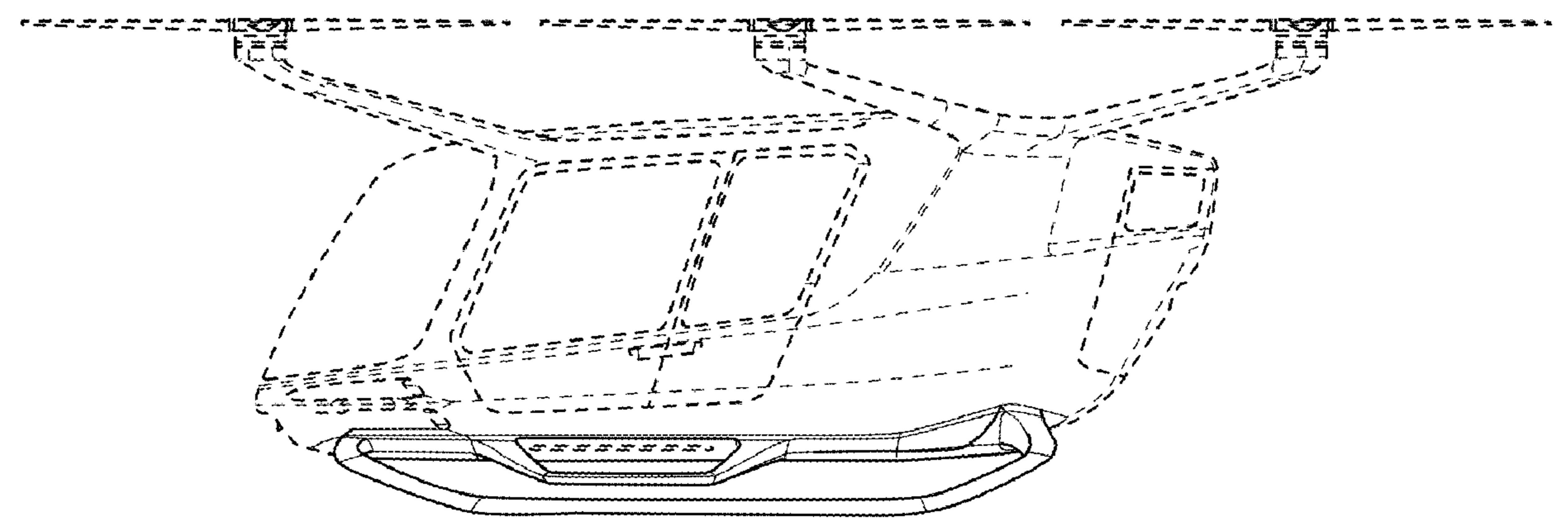
1 Claim, 3 Drawing Sheets

(56) **References Cited**

U.S. PATENT DOCUMENTS

5,211,359 A * 5/1993 Rene B64C 25/52
244/100 R

5,860,621 A * 1/1999 Barquet B64C 25/52
244/108



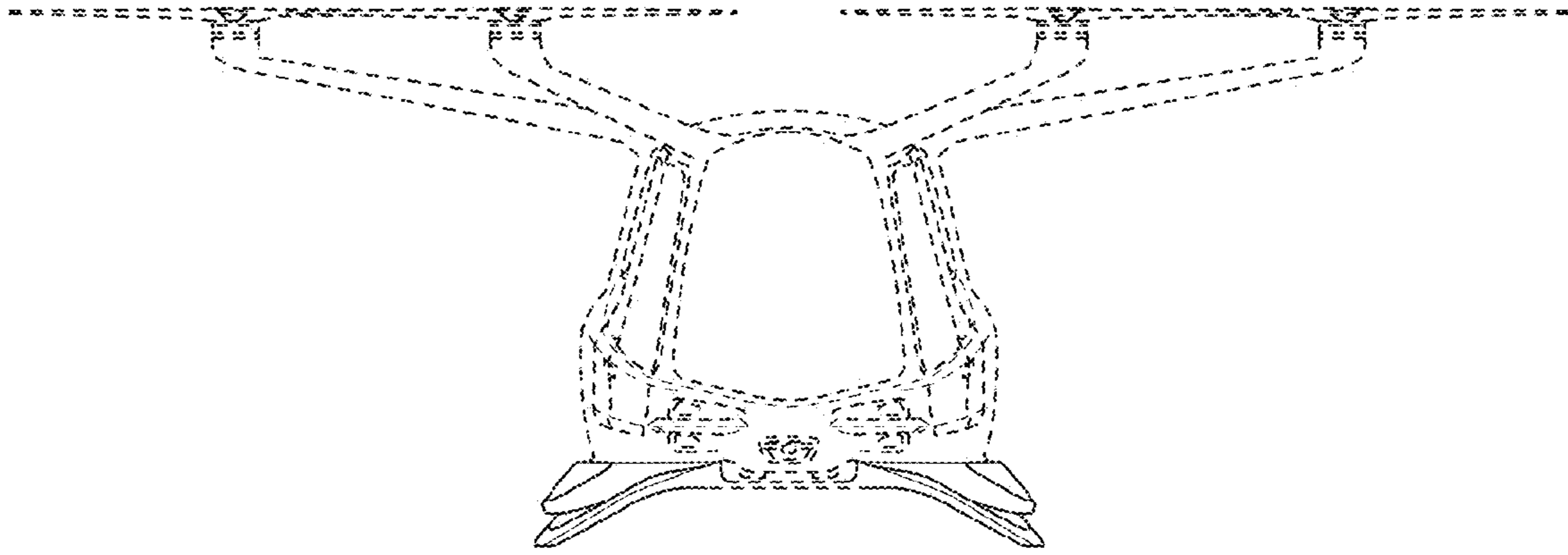


Fig. 1

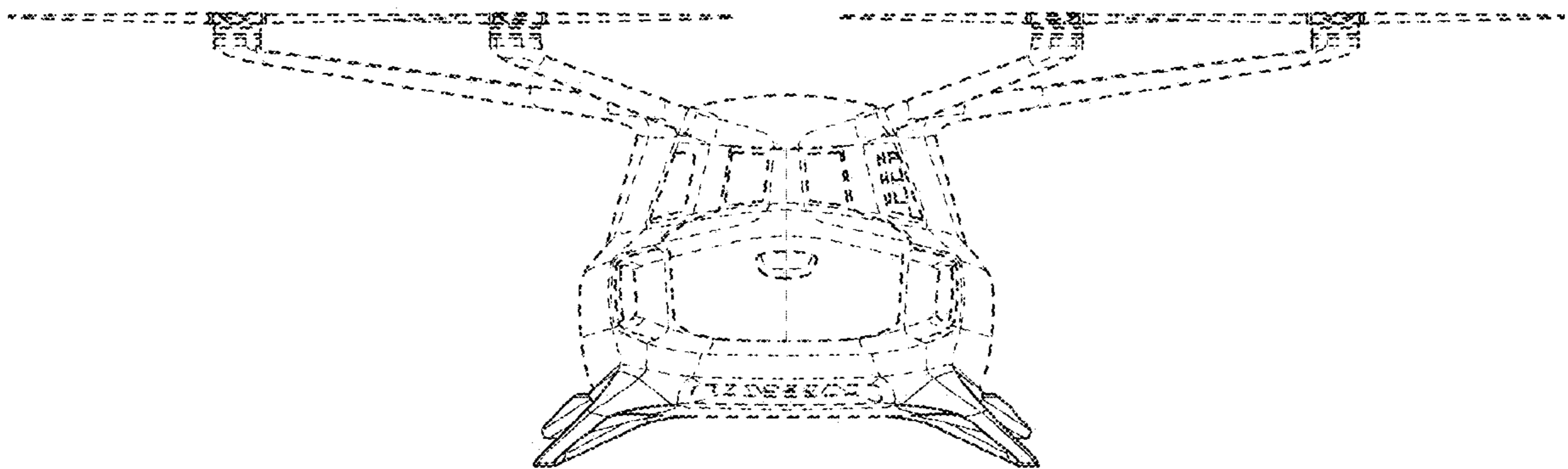


Fig. 2

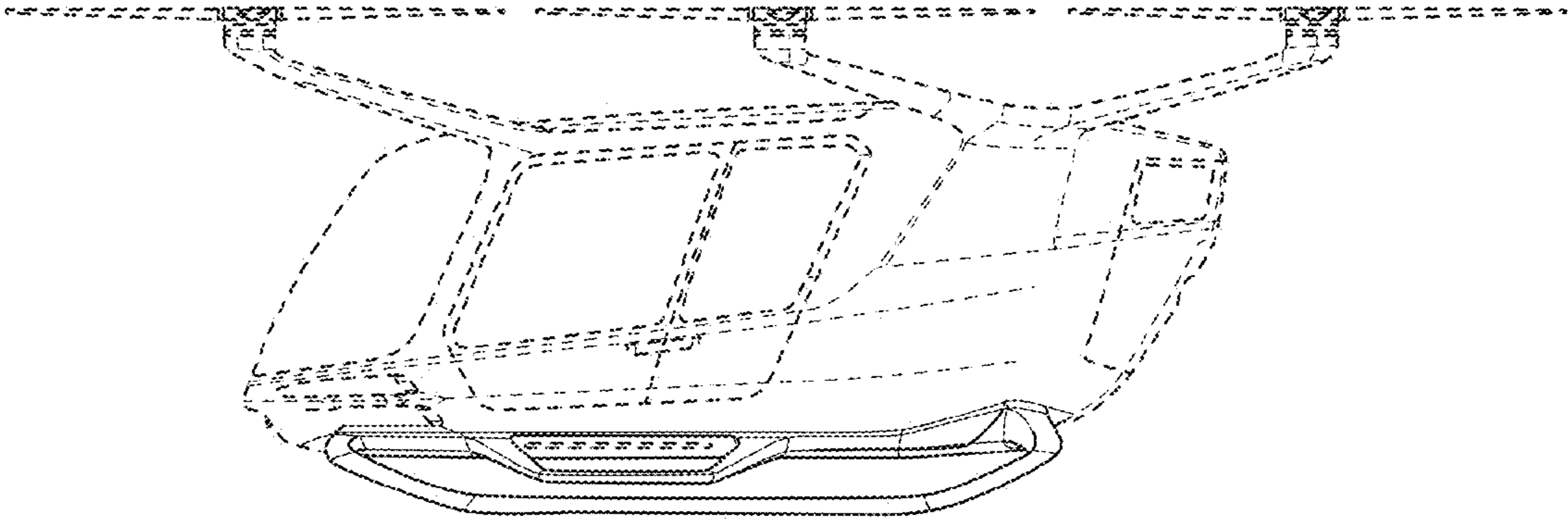


Fig. 3

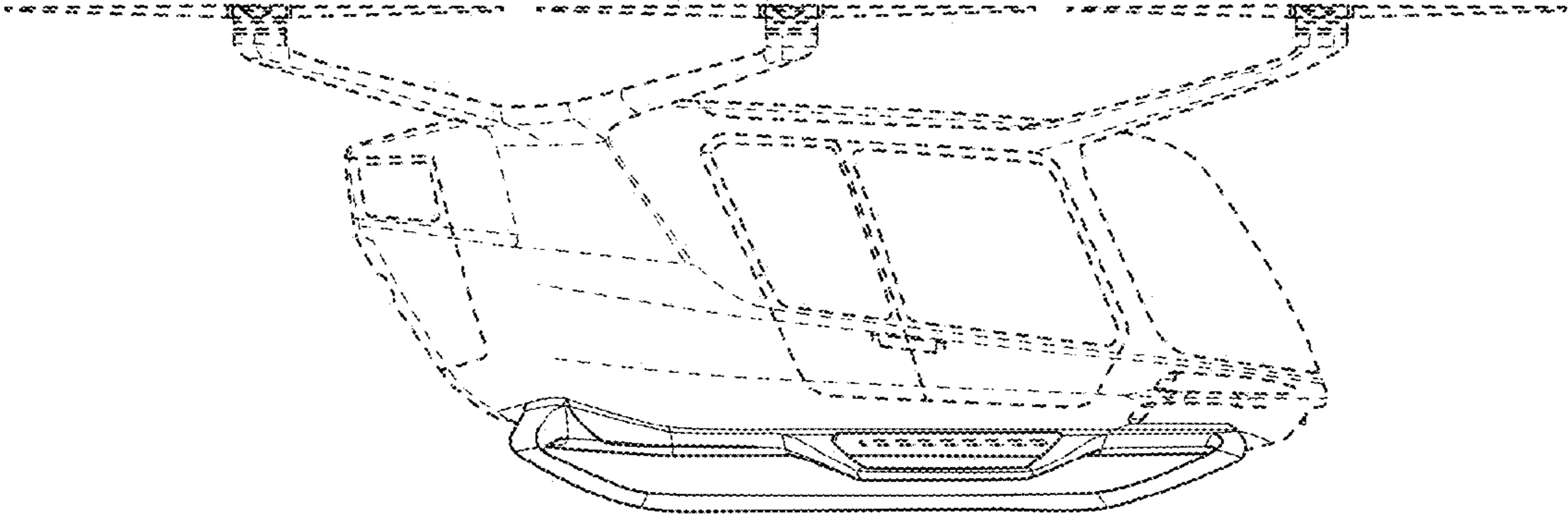


Fig. 4

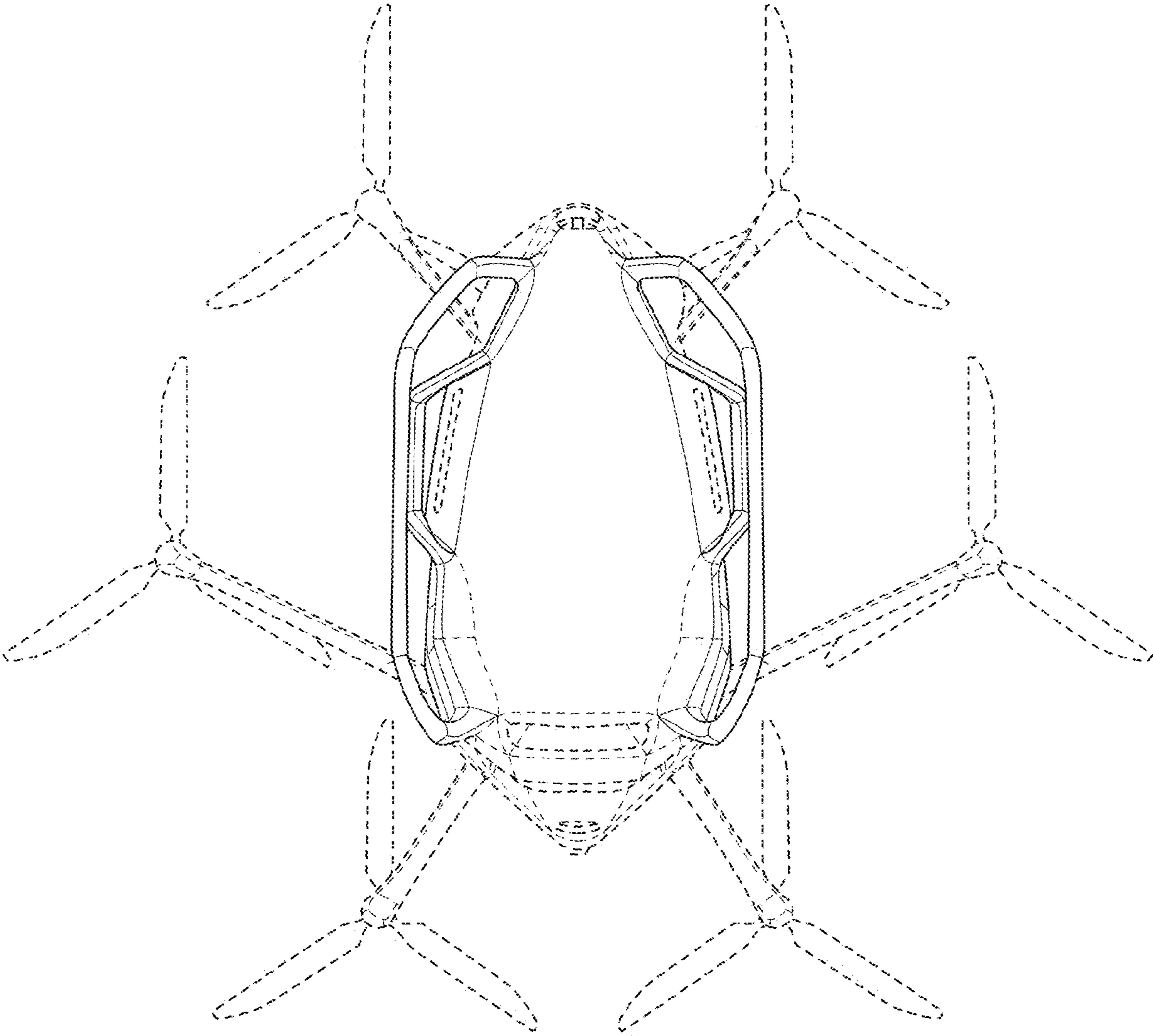


Fig. 5