



US00D912600S

(12) **United States Design Patent**  
**Builder et al.**

(10) **Patent No.: US D912,600 S**

(45) **Date of Patent: \*\* \*Mar. 9, 2021**

(54) **FLOATING PLATFORM**

(71) Applicant: **Nautibuoy Marine Limited**, Devon (GB)

(72) Inventors: **Clay Livingston Builder**, Dartington (GB); **Nina Anderson**, Dartington (GB)

(73) Assignee: **Nautibuoy Marine Limited**, Devon (GB)

(\*) Notice: This patent is subject to a terminal disclaimer.

(\*\*) Term: **15 Years**

(21) Appl. No.: **29/662,400**

(22) Filed: **Sep. 5, 2018**

(30) **Foreign Application Priority Data**

Mar. 5, 2018 (EM) ..... 004740025-0020

(51) **LOC (13) Cl.** ..... **12-06**

(52) **U.S. Cl.**  
USPC ..... **D12/316**

(58) **Field of Classification Search**  
USPC ..... D12/316, 317; D21/801, 803  
CPC ..... B63C 1/02; B63C 1/04; B63B 2737/00  
See application file for complete search history.

(56) **References Cited**

**U.S. PATENT DOCUMENTS**

- D349,744 S \* 8/1994 Wolfe ..... D12/316
- D406,299 S \* 3/1999 Huston ..... D12/316
- 6,276,979 B1 \* 8/2001 Saltel ..... A47C 15/006  
441/132
- 6,722,307 B1 \* 4/2004 Rogers ..... A01K 1/035  
114/362
- 6,749,475 B2 \* 6/2004 Howerton ..... A47C 15/006  
114/345
- 6,929,521 B2 \* 8/2005 Howerton ..... A47C 15/006  
114/345

- 7,302,902 B2 \* 12/2007 Stillman ..... B63B 35/34  
114/263
- 8,438,985 B2 \* 5/2013 Scadden ..... B63B 7/08  
114/345
- D706,205 S \* 6/2014 Bradley ..... D12/316
- 9,278,731 B1 \* 3/2016 Canela ..... B63B 7/08
- D821,523 S \* 6/2018 Kasper ..... D21/803
- 10,099,758 B2 \* 10/2018 Snowden ..... B63B 7/08
- D866,872 S \* 11/2019 Liu ..... D29/124
- 2011/0044765 A1 \* 2/2011 Johanneck ..... E02B 3/064  
405/219
- 2013/0196560 A1 \* 8/2013 Chew ..... B63B 35/58  
441/41

(Continued)

**OTHER PUBLICATIONS**

Nautibuoy Marine Brochure, uploaded online Feb. 2017, dated as Nov. 2016 [online], [site visited Nov. 25, 2019]. Available from Internet: <URL:http://http://baxtermarine.com/wp-content/uploads/2017/02/Nautibuoy-Brochure-Nov-2016.pdf>.\*

*Primary Examiner* — Cynthia M. Chin  
(74) *Attorney, Agent, or Firm* — Optimus Patents US, LLC

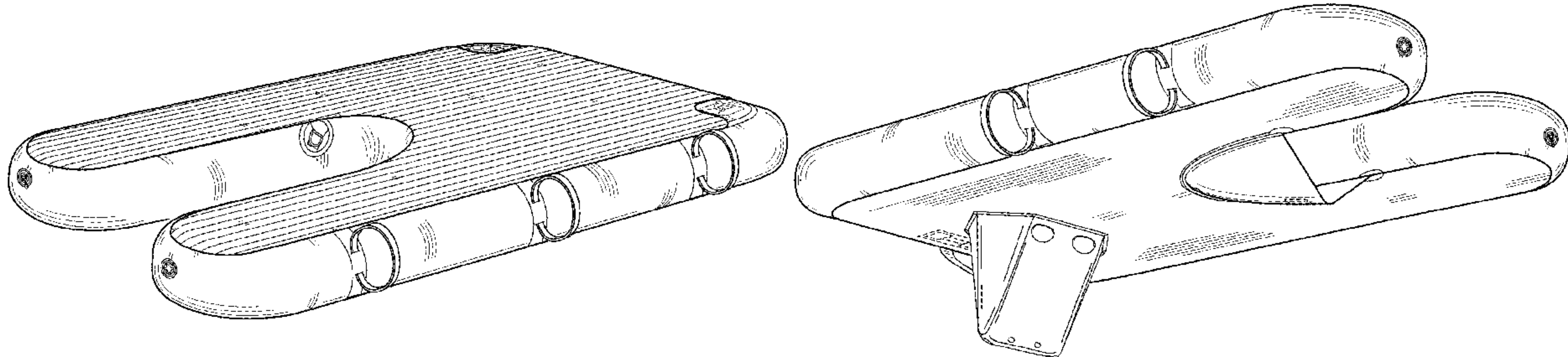
(57) **CLAIM**

The ornamental design for a floating platform, as shown and described.

**DESCRIPTION**

FIG. 1 is a top perspective view of a platform for yachts;  
FIG. 2 is a bottom perspective view thereof;  
FIG. 3 is a left side view thereof;  
FIG. 4 is a right side view thereof;  
FIG. 5 is a front view thereof;  
FIG. 6 is a rear view thereof;  
FIG. 7 is top view thereof; and,  
FIG. 8 is a bottom view thereof.  
The shading lines shown in the drawing represent the three-dimensional contour of the claimed design, and are not intended to indicate surface decoration.

**1 Claim, 8 Drawing Sheets**



(56)

**References Cited**

U.S. PATENT DOCUMENTS

2015/0353174 A1\* 12/2015 Hancock ..... B63B 35/38  
114/263  
2016/0280341 A1\* 9/2016 Doig ..... B63C 1/02  
2018/0354589 A1\* 12/2018 Wood ..... B63B 27/143  
2019/0308698 A1\* 10/2019 Builder ..... B63B 35/38

\* cited by examiner

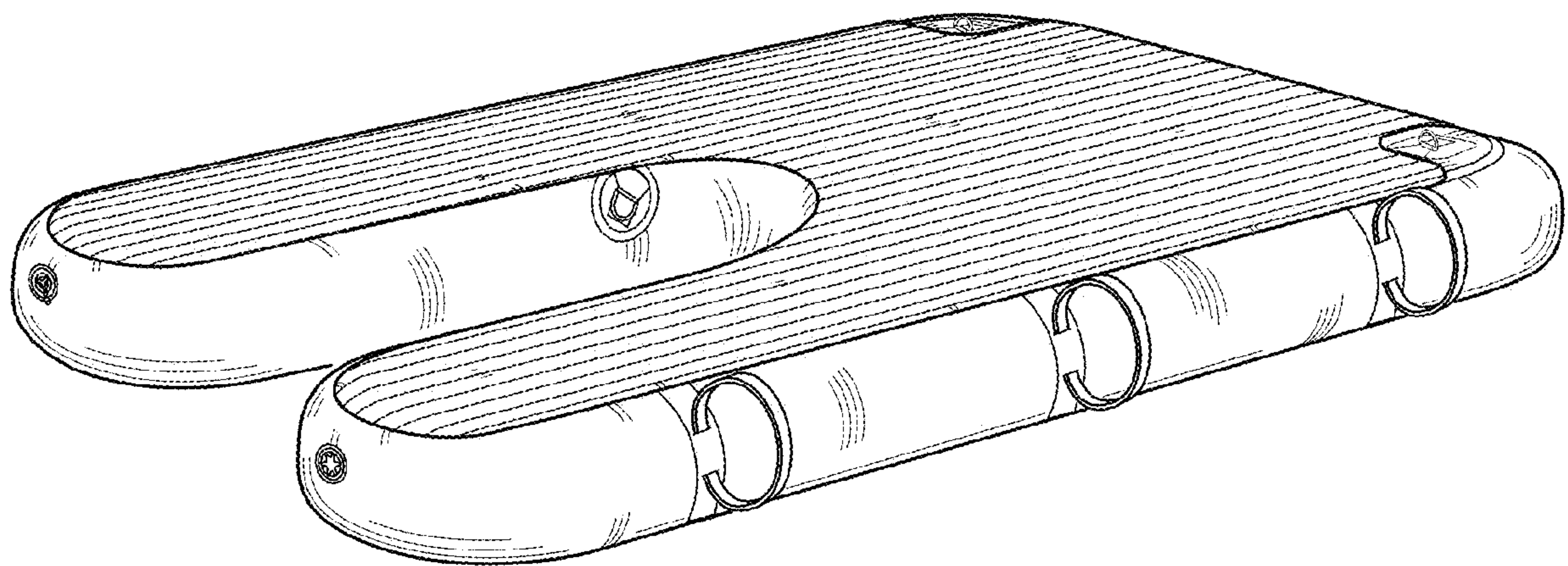


FIG. 1

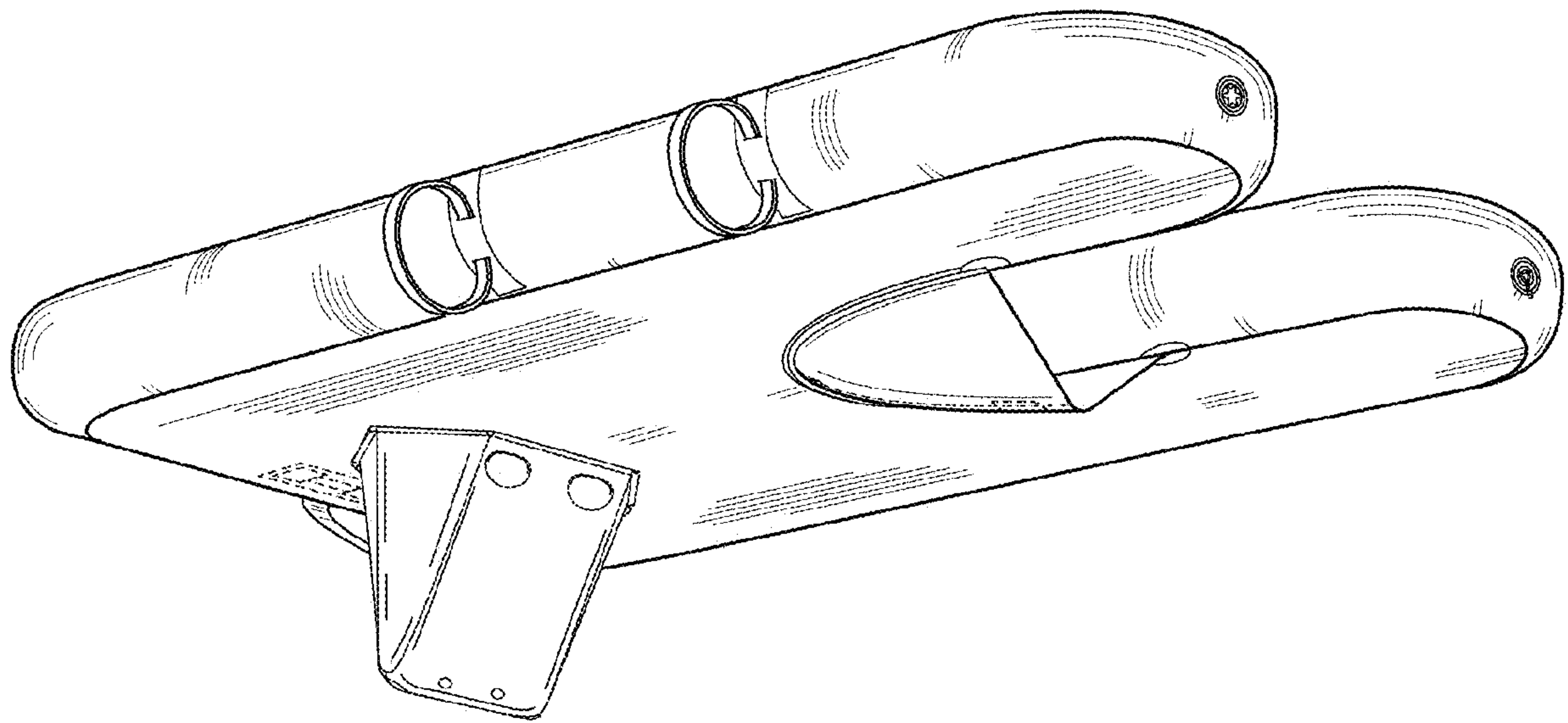


FIG. 2

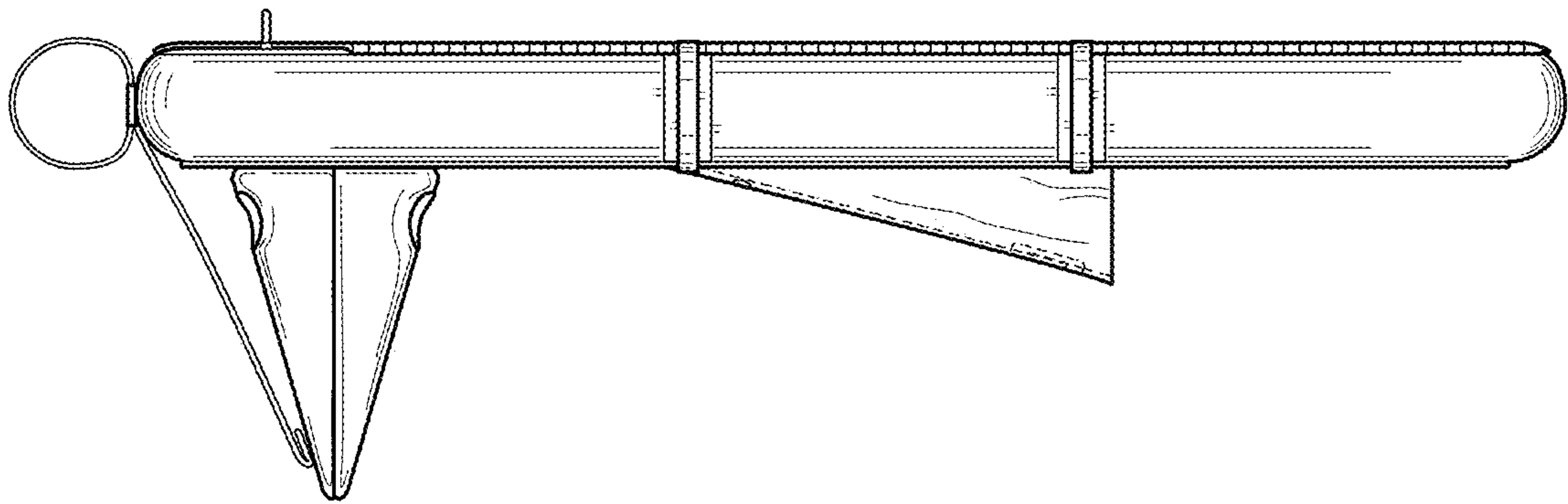


FIG. 3

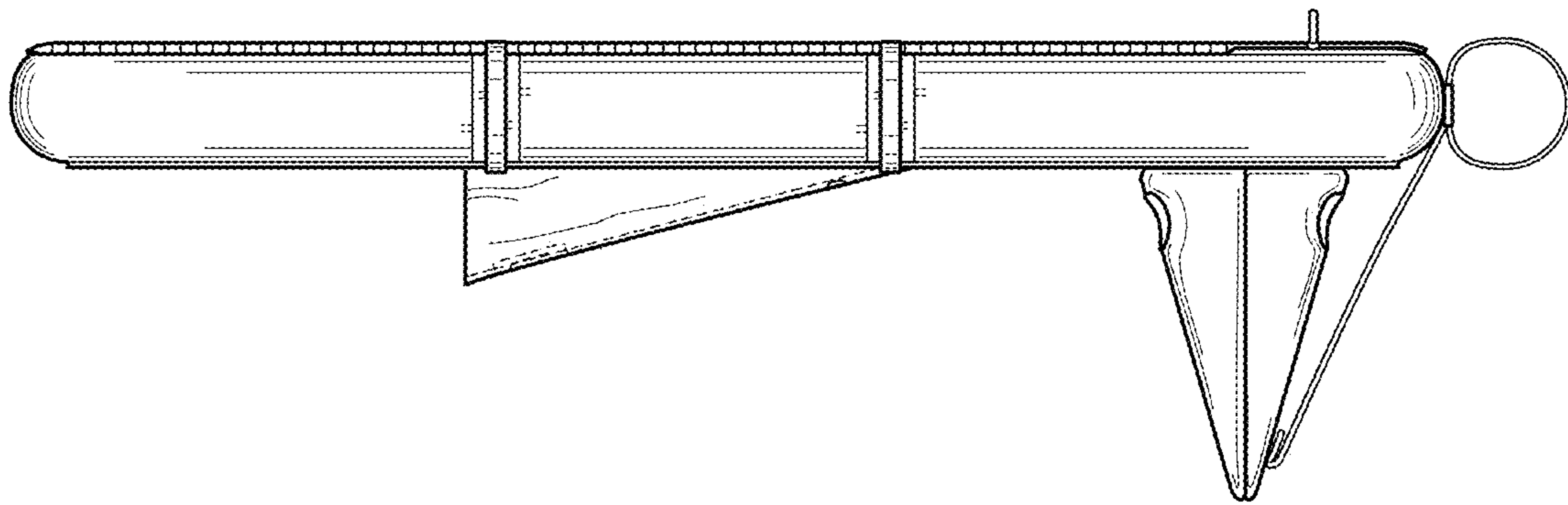


FIG. 4



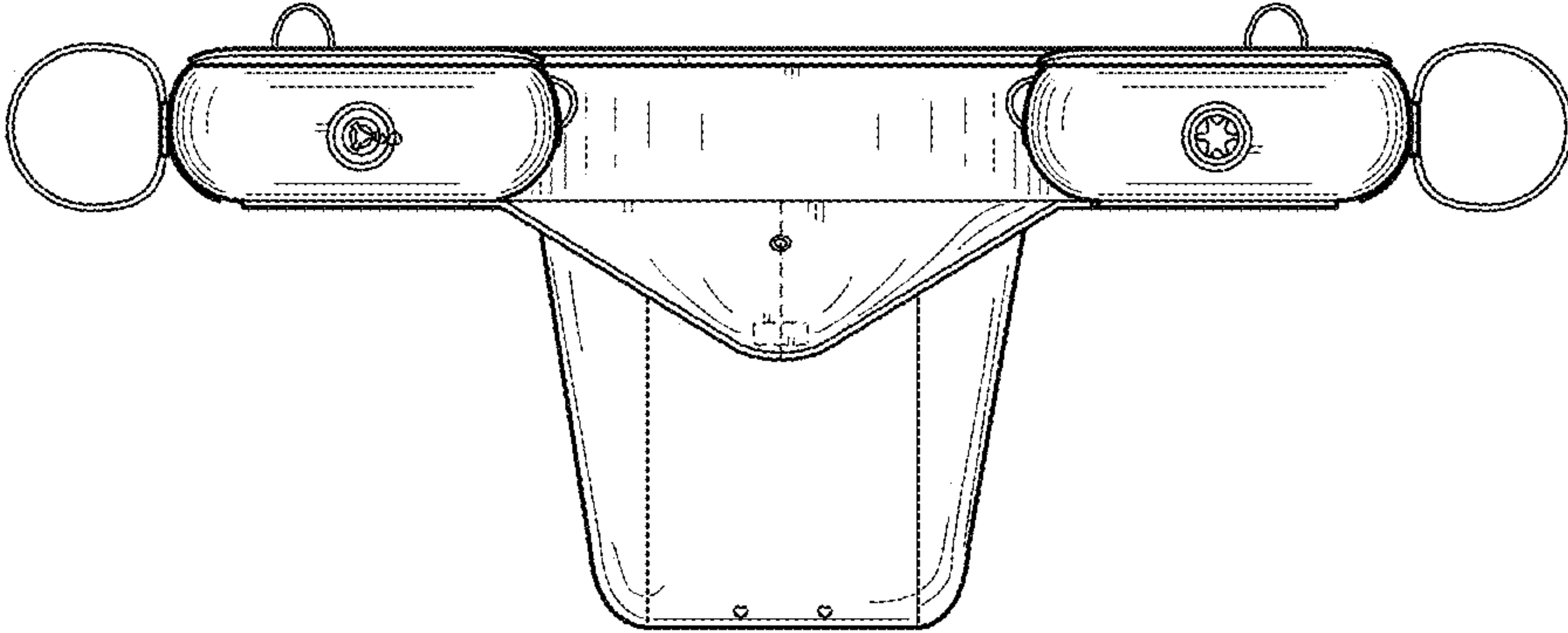


FIG. 5

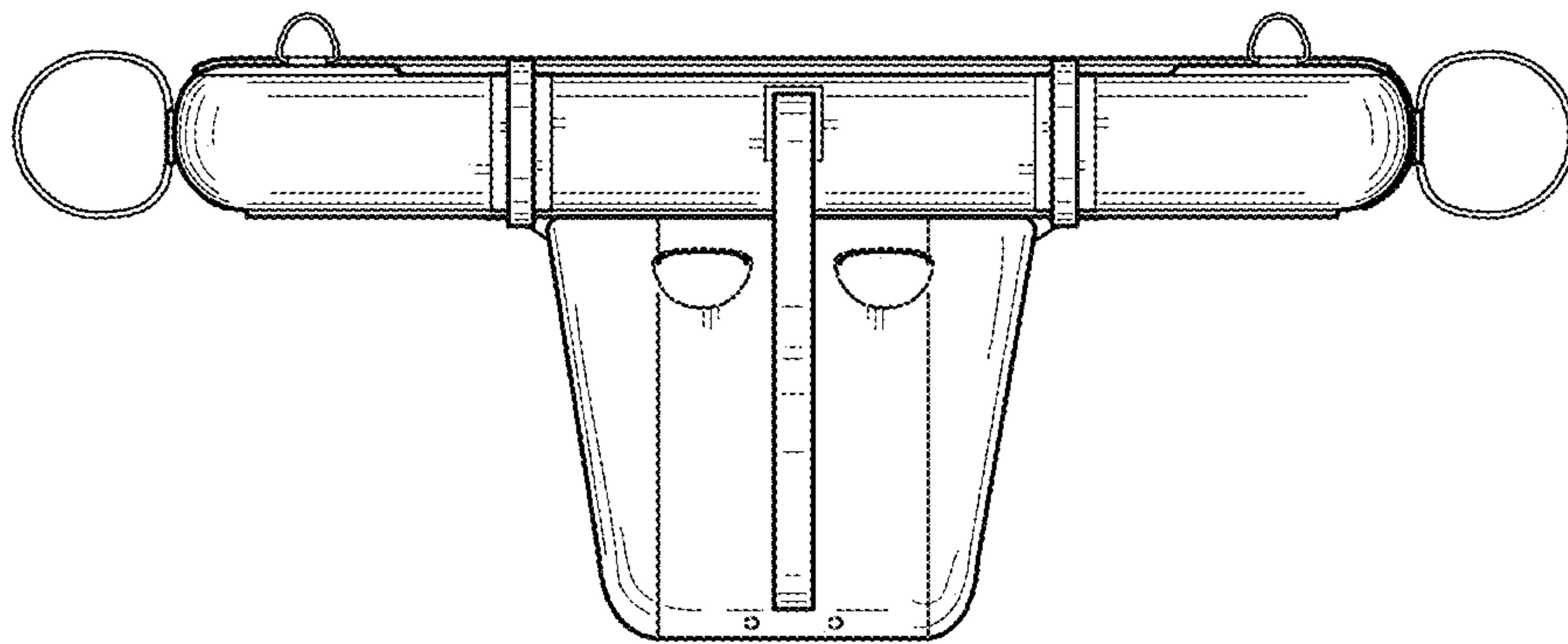


FIG. 6



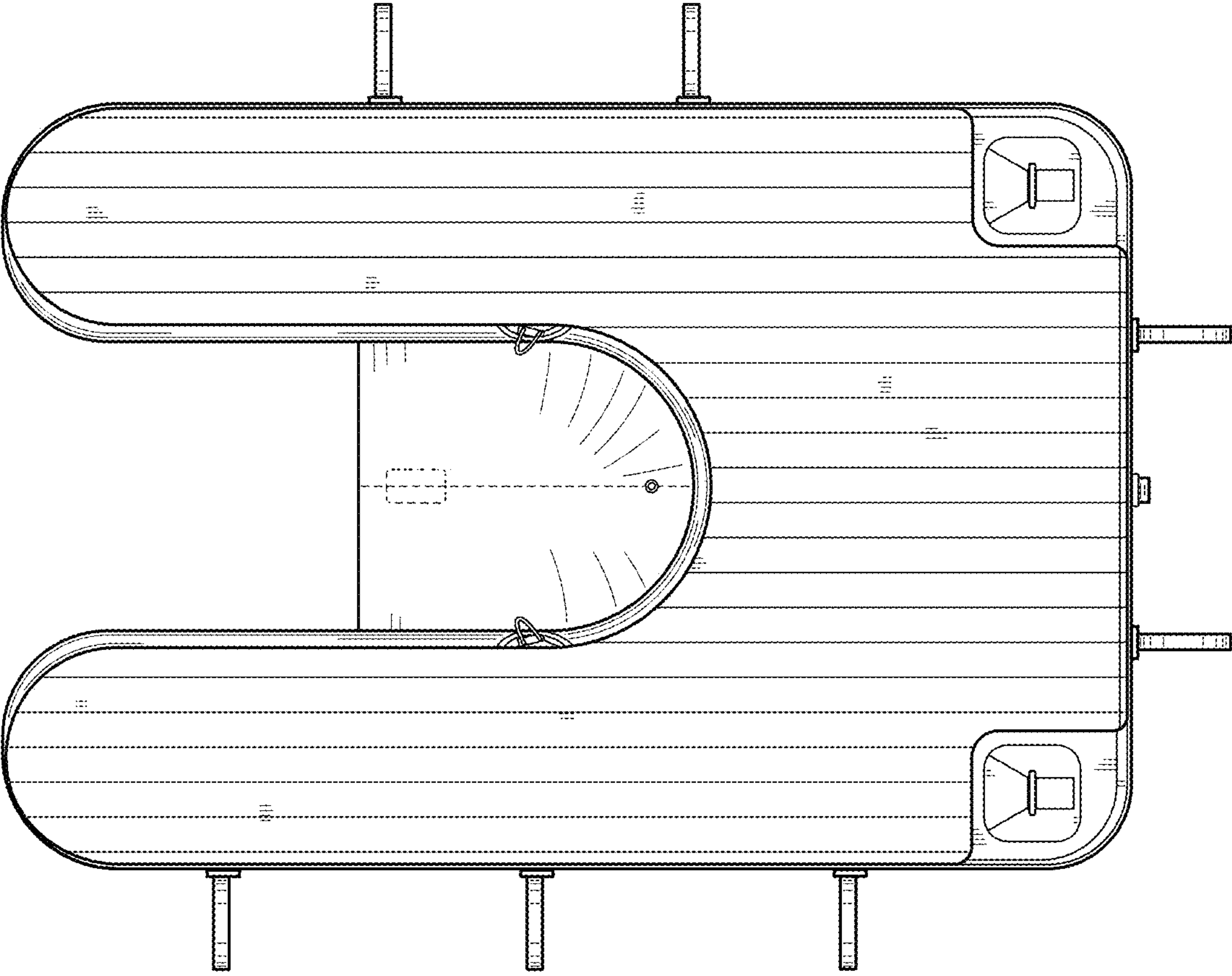


FIG. 7

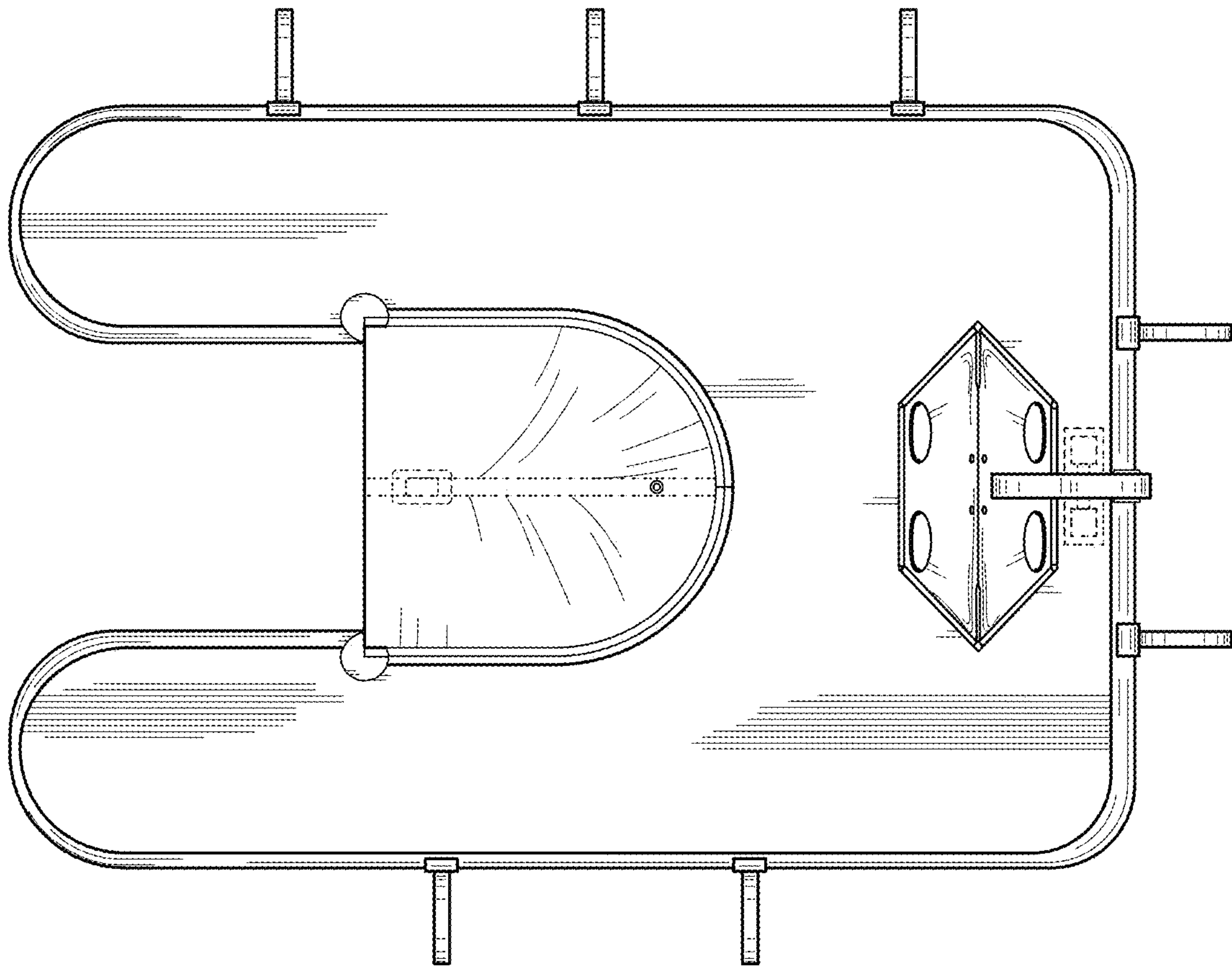


FIG. 8