



US00D912599S

(12) **United States Design Patent**
Daniele

(10) **Patent No.:** **US D912,599 S**

(45) **Date of Patent:** **** Mar. 9, 2021**

(54) **SPEEDBOAT**

(71) Applicant: **Jerry Tony Daniele**, Albuquerque, NM
(US)

(72) Inventor: **Jerry Tony Daniele**, Albuquerque, NM
(US)

(**) Term: **15 Years**

(21) Appl. No.: **29/679,443**

(22) Filed: **Feb. 6, 2019**

(51) **LOC (13) Cl.** **12-06**

(52) **U.S. Cl.**
USPC **D12/300**

(58) **Field of Classification Search**
USPC D12/300, 309-315, 317; D21/542
CPC B63B 17/00; B63B 17/02; B63B 35/81;
B63B 35/816; B62B 21/04; A63H 23/02;
A63H 23/04; A63H 23/06
See application file for complete search history.

(56) **References Cited**

U.S. PATENT DOCUMENTS

- 3,195,496 A * 7/1965 Skuce, II B63B 1/20
114/271
- 3,288,096 A * 11/1966 Swenson B63B 1/20
114/273
- D215,370 S * 9/1969 Calkins D12/311
- D235,858 S * 7/1975 Lyford, III D12/311
- 3,952,678 A * 4/1976 Weston B63B 1/38
114/272
- 4,095,549 A * 6/1978 Williams B63B 1/20
114/283
- D252,454 S * 7/1979 Williams D12/312
- D285,679 S * 9/1986 Koehler
- 4,827,862 A * 5/1989 Enriquez B63H 25/06
114/272
- 4,944,240 A * 7/1990 Morris B63B 1/12
114/271

- D315,716 S * 3/1991 Erickson D12/307
- D326,840 S * 6/1992 Bullock D12/300
- D329,419 S * 9/1992 Thomas, Jr. D12/300
- 5,191,849 A * 3/1993 Labrucherie et al.
- 5,529,009 A * 6/1996 Faury et al.
- 5,850,793 A * 12/1998 Bronson B63B 39/00
114/67 A
- 6,083,074 A * 7/2000 Shutt A63H 27/14
446/153
- 6,311,635 B1 * 11/2001 Vaton B63B 1/125
114/272
- D474,730 S * 5/2003 Flaherty D12/300
- D540,889 S * 4/2007 Yuen D12/314
- 7,318,388 B2 * 1/2008 Scism B63B 1/16
114/273

(Continued)

FOREIGN PATENT DOCUMENTS

WO DM/082 958 3/2014

Primary Examiner — Cynthia M. Chin

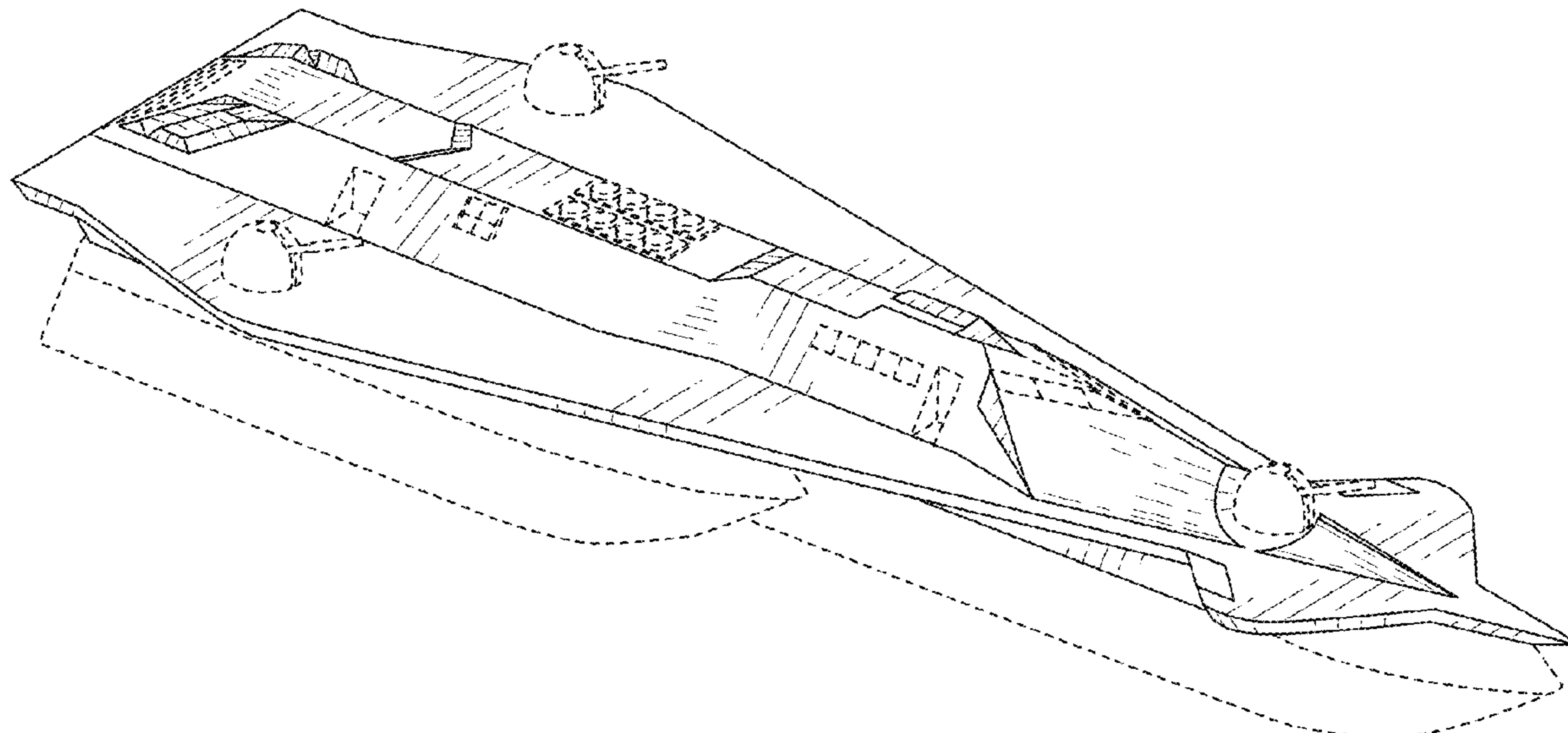
(57) **CLAIM**

The ornamental design for a speedboat, as shown and described.

DESCRIPTION

FIG. 1 is a front-top perspective view of a speedboat showing my new design;
 FIG. 2 is a front-bottom perspective view thereof;
 FIG. 3 is a rear-top perspective view thereof;
 FIG. 4 is a rear-bottom perspective view thereof;
 FIG. 5 is a right elevational view thereof, the left elevational view being mirrored thereto;
 FIG. 6 is a rear elevational view thereof;
 FIG. 7 is a front elevational view thereof;
 FIG. 8 is a top plan view thereof; and,
 FIG. 9 is a bottom plan view thereof.
 The broken lines are for the purpose of illustrating portions of the article that form no part of the claim.

1 Claim, 9 Drawing Sheets



(56)

References Cited

U.S. PATENT DOCUMENTS

7,458,332 B2 * 12/2008 Wilson B63B 1/125
114/288
D586,719 S * 2/2009 Morris D12/300
D645,100 S * 9/2011 Yuen D21/542
8,707,881 B2 4/2014 Armstrong et al.
9,718,516 B2 8/2017 Read
2003/0140834 A1 * 7/2003 DeMarco B63B 1/38
114/67 A
2003/0159637 A1 * 8/2003 Osmundsvaag B63B 39/061
114/67 A
2006/0144312 A1 * 7/2006 Baker B63B 1/042
114/288
2006/0288922 A1 * 12/2006 Seider B63B 1/042
114/292
2007/0051290 A1 * 3/2007 Kingsbury B63H 5/16
114/61.3

* cited by examiner

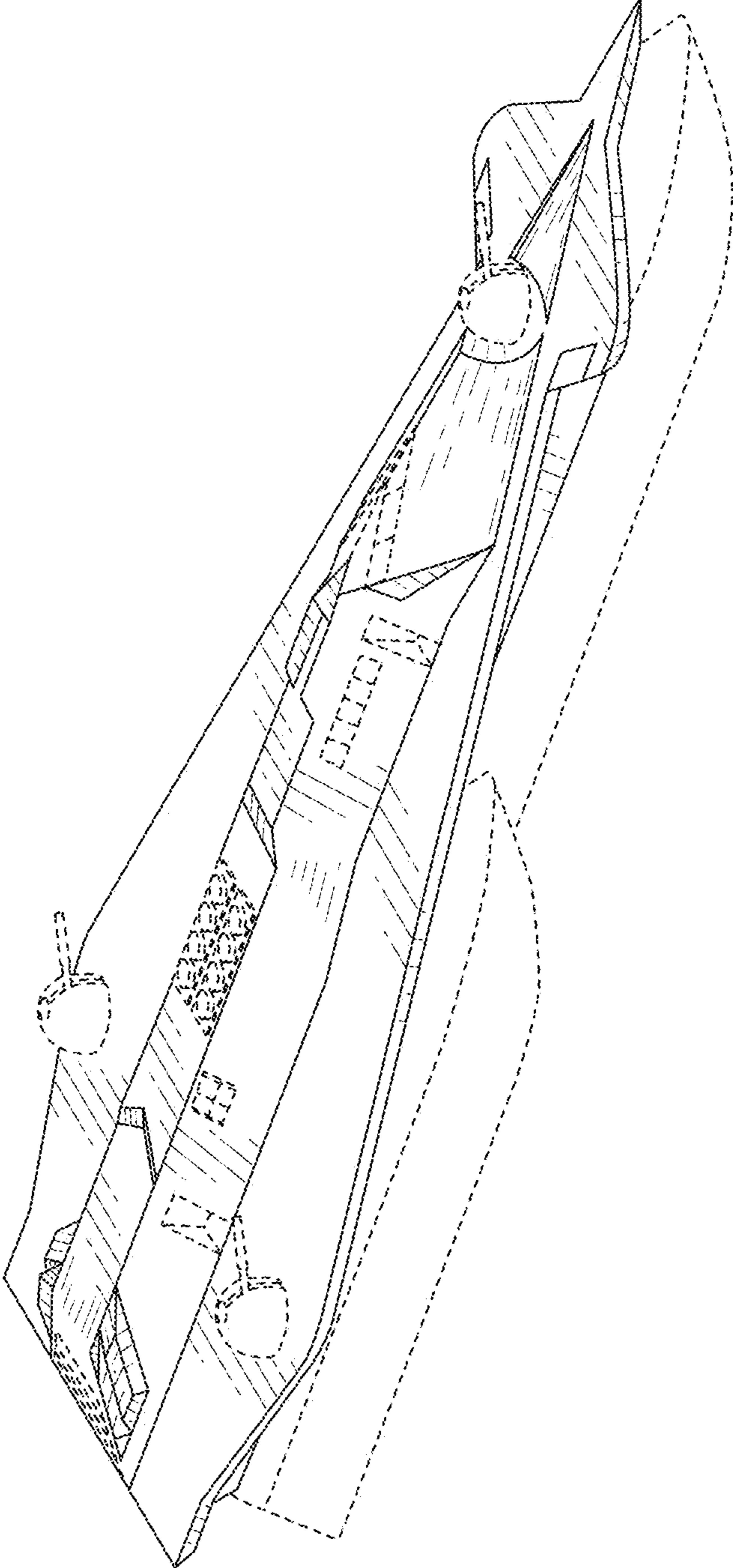


FIG. 1

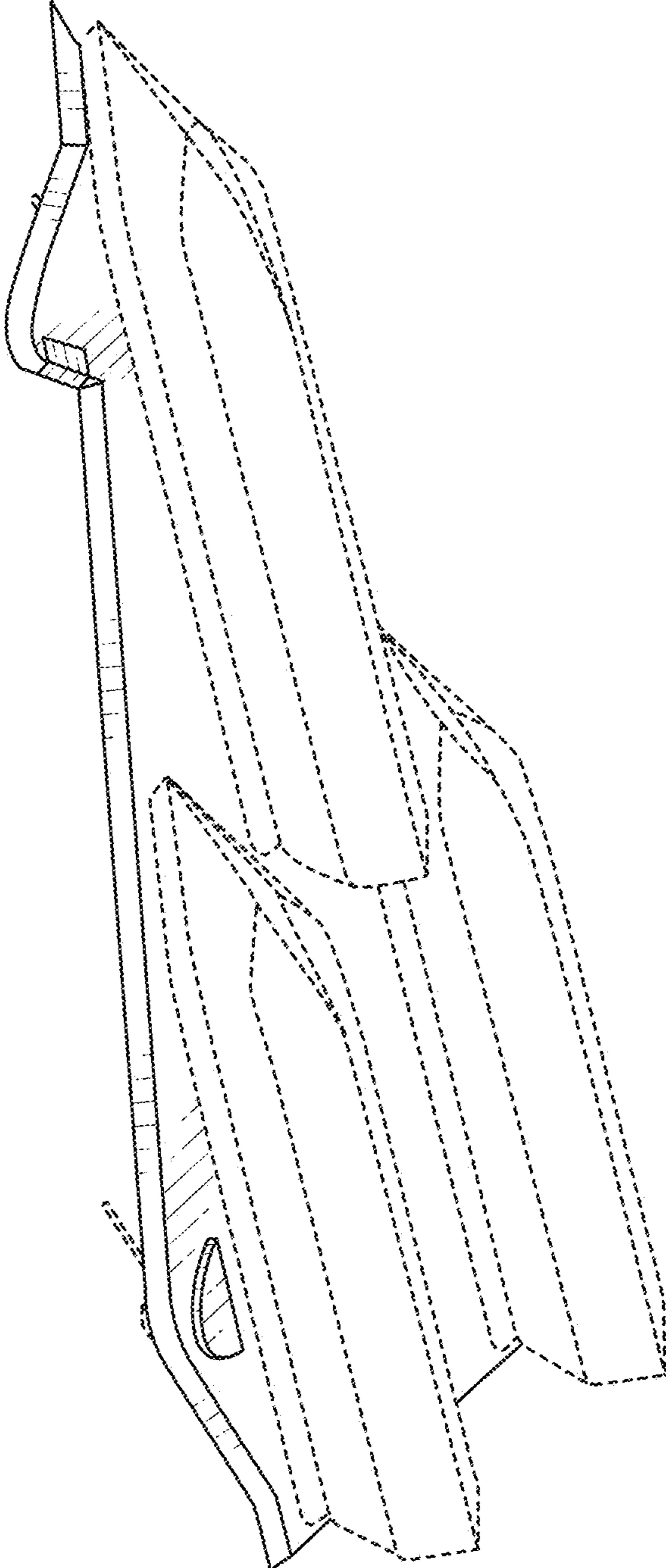


FIG. 2

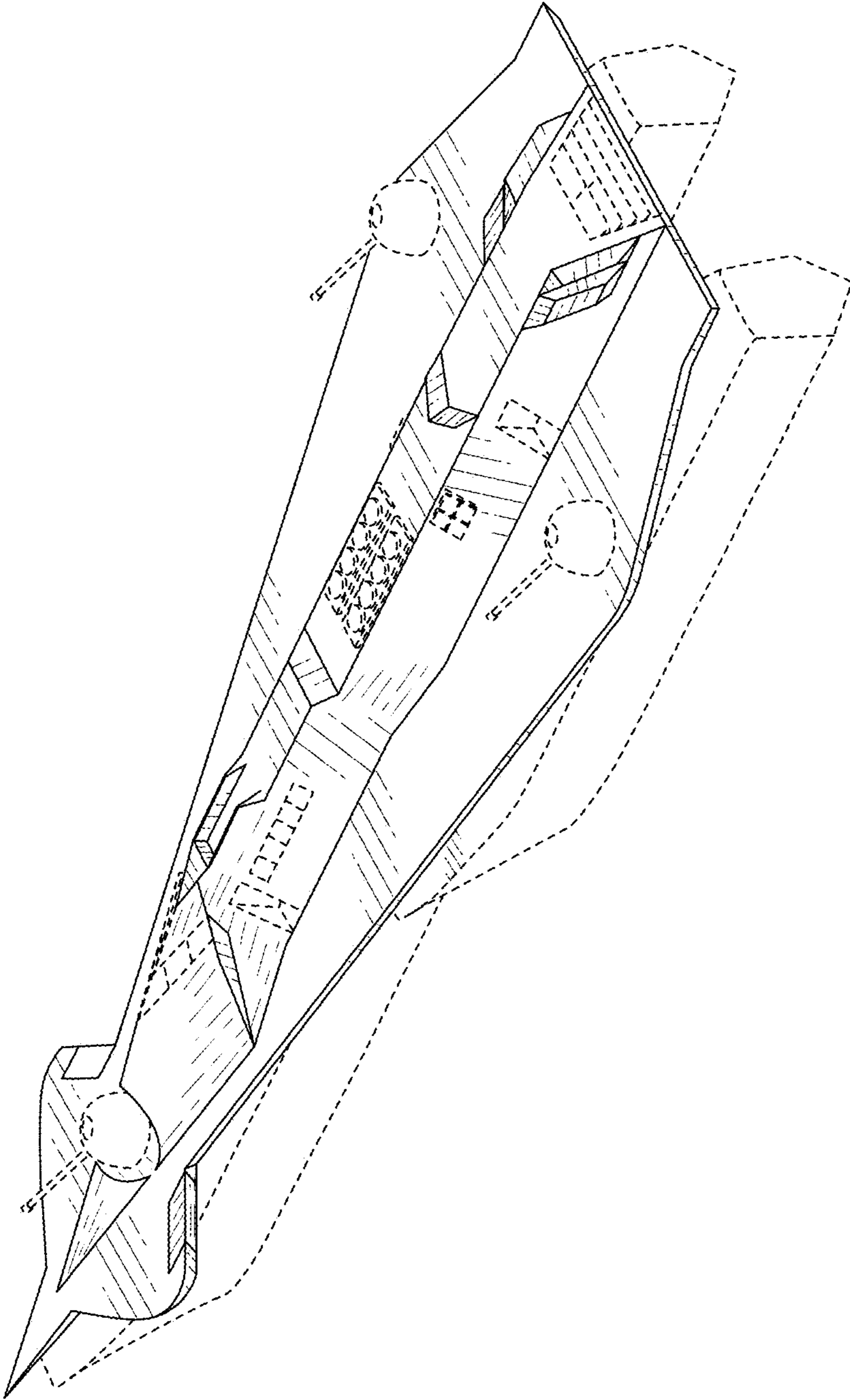


FIG. 3

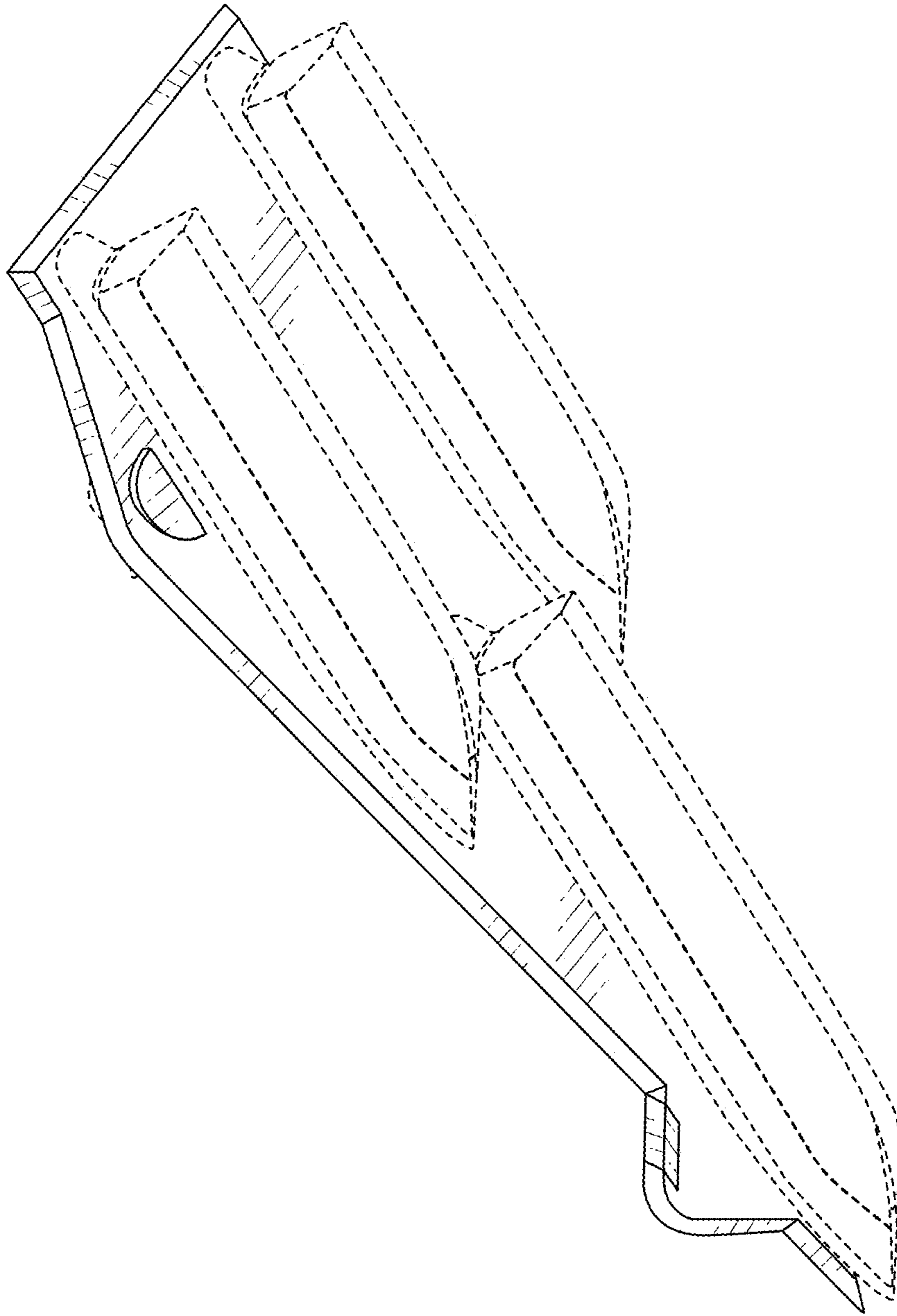


FIG. 4

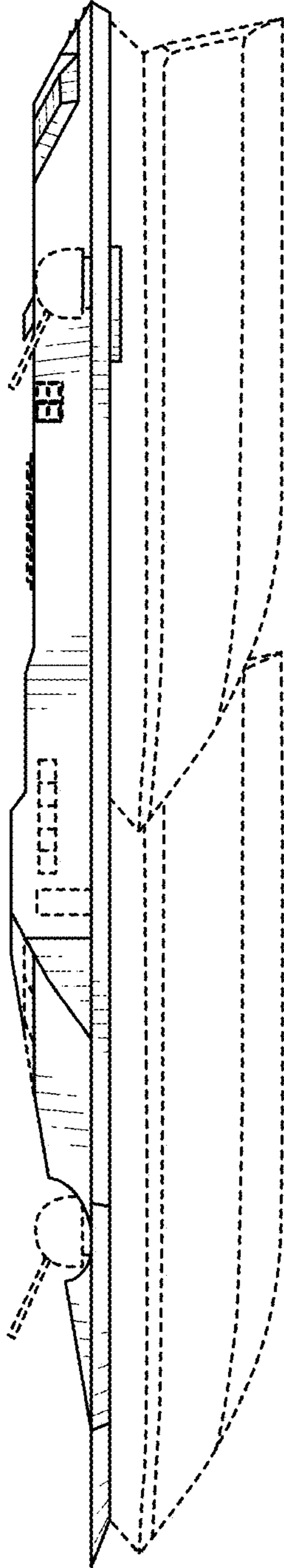


FIG. 5

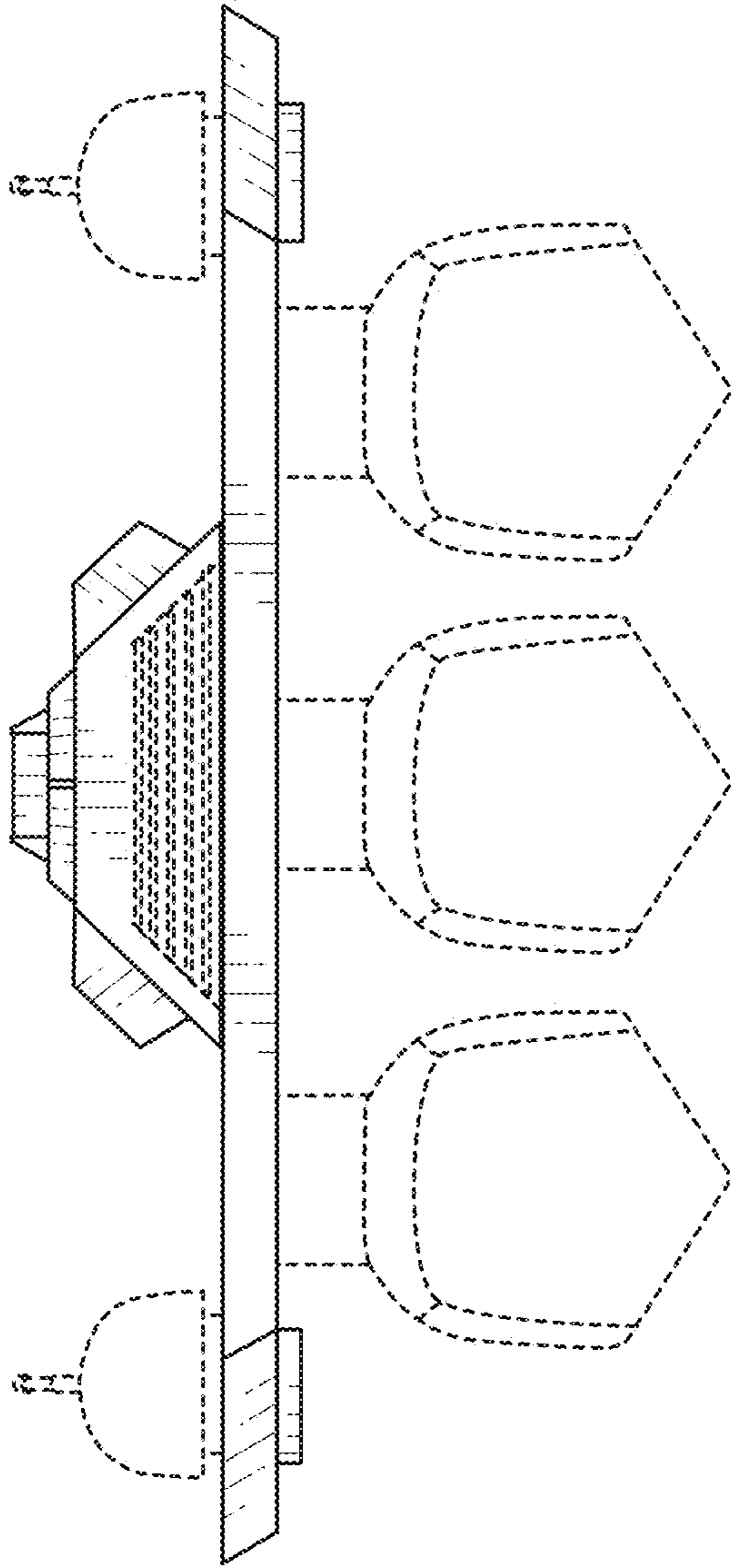


FIG. 6

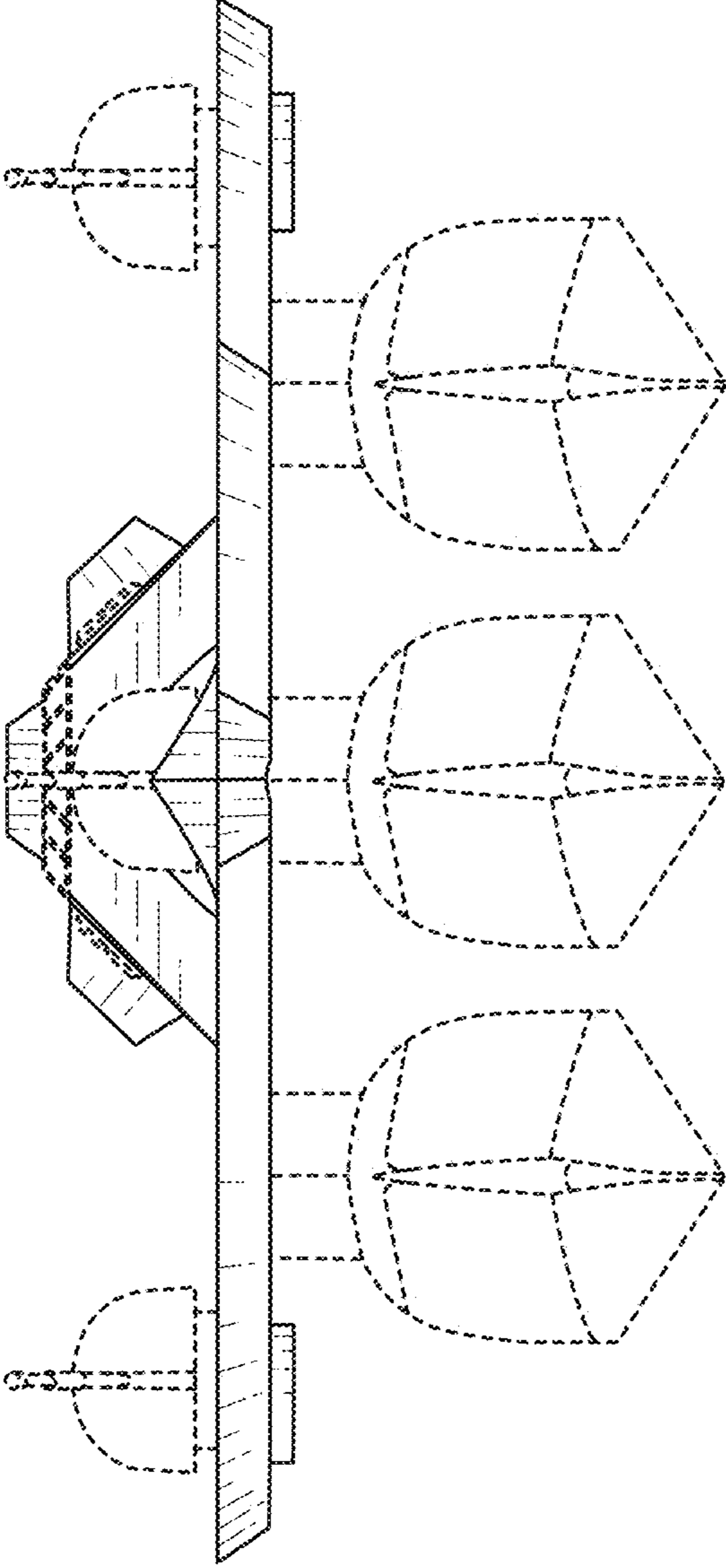


FIG. 7

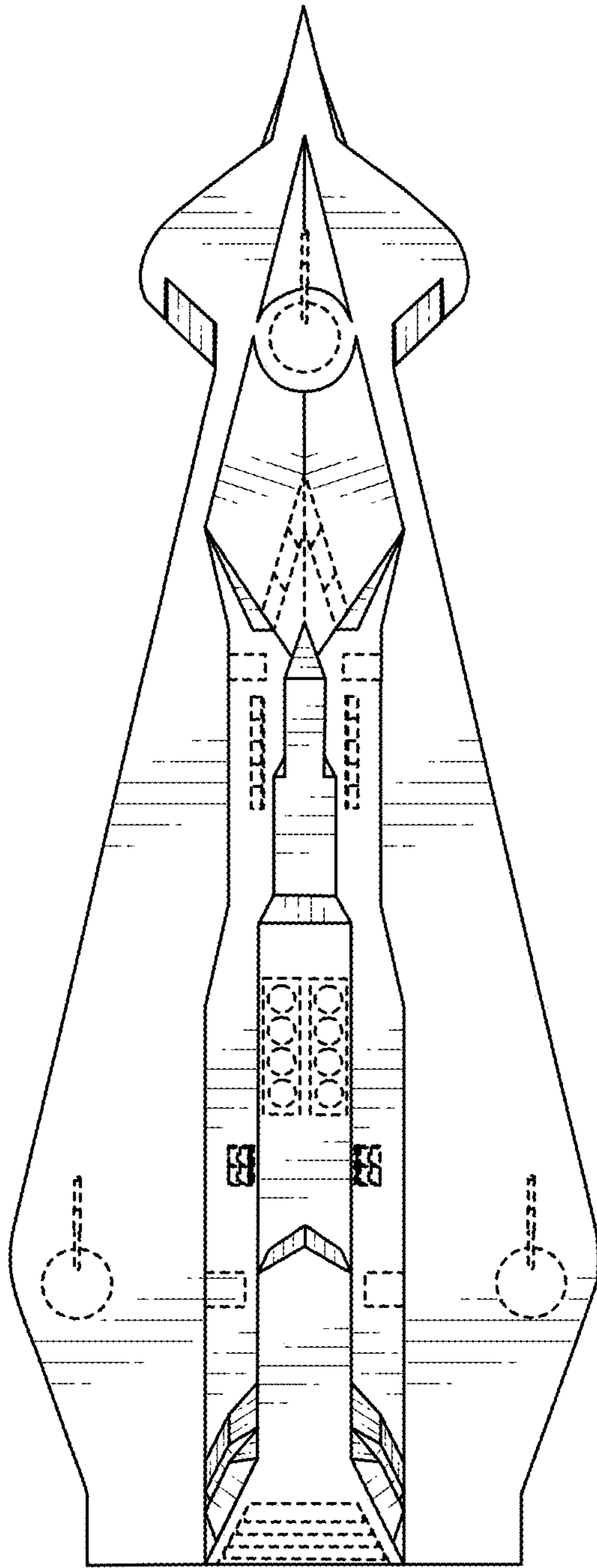


FIG. 8

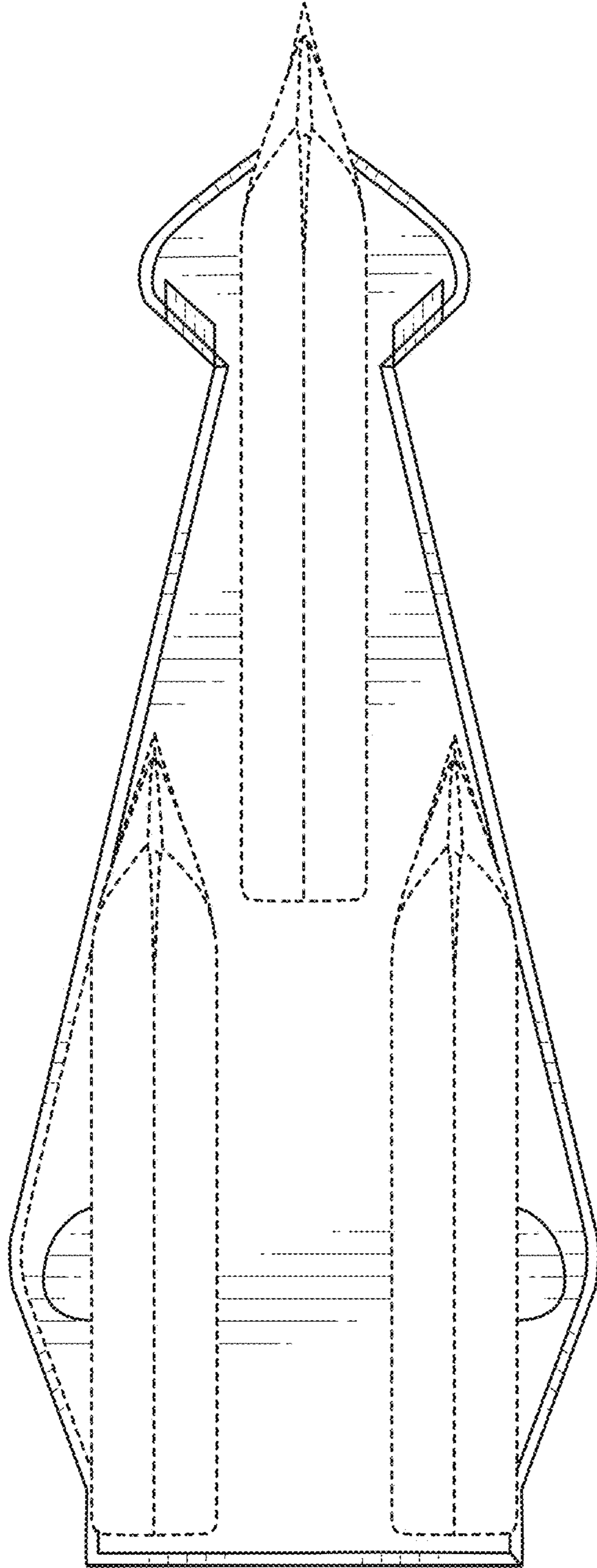


FIG. 9