



US00D912594S

(12) **United States Design Patent**
Ranum

(10) **Patent No.:** **US D912,594 S**

(45) **Date of Patent:** **** Mar. 9, 2021**

(54) **WHEEL**

(71) Applicant: **Wheel Pros, LLC**, Greenwood Village, CO (US)

(72) Inventor: **Yuri Ranum**, Los Angeles, CA (US)

(**) Term: **15 Years**

(21) Appl. No.: **29/723,238**

(22) Filed: **Feb. 5, 2020**

(51) **LOC (13) Cl.** **12-16**

(52) **U.S. Cl.**
USPC **D12/209**

(58) **Field of Classification Search**
USPC D12/204–213; D21/563
CPC B60B 7/00; B60B 7/02; B60B 7/04; B60B 7/01; B60B 7/06; B60B 3/02; B60B 3/04; B60B 3/06; B60B 3/10; B60B 1/00; B60B 1/08; B60B 1/10; B60B 1/12

See application file for complete search history.

D504,859 S	5/2005	Sulahian
D505,374 S	5/2005	Aleman
D510,307 S	10/2005	Howes
D523,797 S	6/2006	Gallert
D524,212 S	7/2006	Phillips
D524,220 S	7/2006	Scheu
D528,495 S	9/2006	Truebsbach
D542,209 S	5/2007	Pfeiffer
D549,148 S	8/2007	Buschmann
D569,777 S	5/2008	Chung
D577,650 S	9/2008	Chung
D579,845 S	11/2008	Chung
D582,831 S	12/2008	Musser
D598,357 S	8/2009	Chung
D617,723 S	6/2010	Zhao
D623,109 S	9/2010	Markefka
D635,903 S	4/2011	Zhang
D654,007 S	2/2012	Nissl
D654,420 S	2/2012	Guay
D660,771 S	5/2012	Mueller-Stolz
D669,009 S	10/2012	Chung
D686,961 S	7/2013	Chung
D695,193 S	12/2013	Kong
D698,298 S	1/2014	Cortes
D698,300 S	1/2014	Chung
D702,172 S	4/2014	Chung

(Continued)

(56) **References Cited**

U.S. PATENT DOCUMENTS

D291,796 S	9/1987	Reid	
D361,975 S	9/1995	Weld	
D391,216 S	2/1998	Ballmann	
D407,365 S	3/1999	Nogal	D12/209
D408,775 S	4/1999	Shikado	
D453,492 S	2/2002	Laengerer	
D455,698 S	4/2002	Chung	
D467,212 S	12/2002	Noriega	
D470,094 S	2/2003	van Hooydonk	
D480,036 S	9/2003	Laengerer	
D482,996 S	12/2003	Sulahian	
D492,925 S	7/2004	Fitzgerald	
D496,317 S	9/2004	Kataoka	
D499,684 S	12/2004	Cheng	
D502,438 S	3/2005	Weld	

Primary Examiner — Stacia A Cadmus

(74) *Attorney, Agent, or Firm* — Eric Hanscom

(57) **CLAIM**

The ornamental design for a wheel, as shown and described.

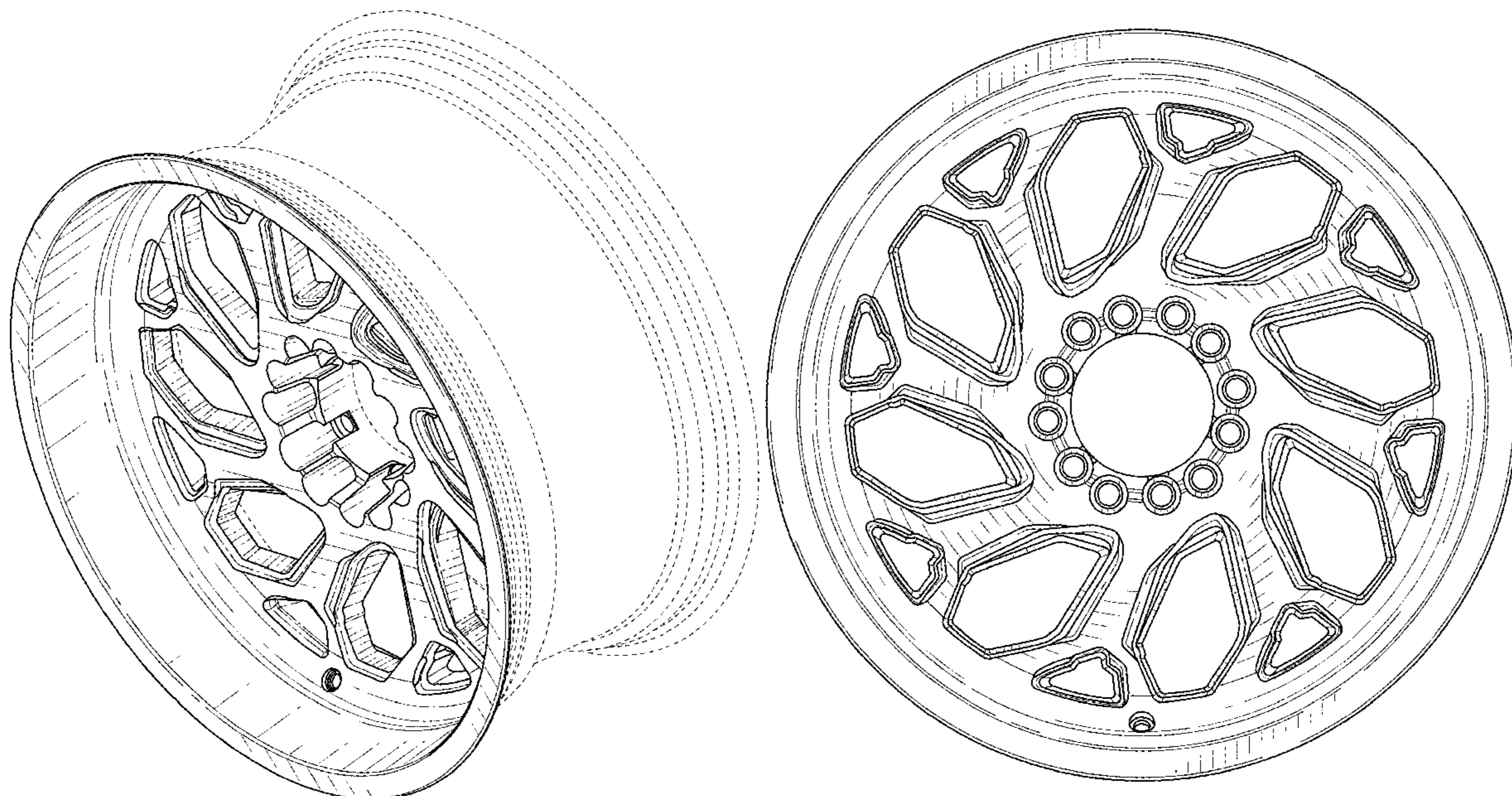
DESCRIPTION

FIG. 1 is a perspective view of a wheel showing my new design; and,

FIG. 2 is a front view thereof.

In the drawings, broken lines shown in the drawings depict environmental subject matter only and form no part of the claimed design.

1 Claim, 2 Drawing Sheets



(56)

References Cited

U.S. PATENT DOCUMENTS

D704,117 S 5/2014 Chung
 D704,617 S 5/2014 Chung
 D706,197 S 6/2014 Chung
 D707,167 S 6/2014 Chung
 D709,020 S 7/2014 Chung
 D713,316 S 9/2014 Song
 D714,207 S 9/2014 Kim
 D717,709 S 11/2014 Valencia Pollex
 D719,893 S 12/2014 Kim
 D731,946 S 6/2015 Chung
 D742,293 S 11/2015 Chung
 D753,045 S * 4/2016 Kawaguchi D12/209
 D753,046 S 4/2016 Liffick
 D756,281 S * 5/2016 Chung D12/209
 D756,882 S 5/2016 Tirado
 D759,561 S * 6/2016 Hale, Jr. D12/209
 D766,805 S 9/2016 Chung
 D769,785 S 10/2016 Wells
 D780,655 S 3/2017 Trim

D817,843 S * 5/2018 Hale, Jr. D12/209
 D828,270 S * 9/2018 Aslam D12/211
 D831,558 S * 10/2018 Starr, Jr. D12/209
 D833,359 S * 11/2018 Ranum D12/209
 D837,709 S * 1/2019 Chung D12/209
 D849,638 S * 5/2019 Ranum D12/209
 D856,255 S * 8/2019 Johnson D12/209
 D857,592 S * 8/2019 Han D12/209
 D860,904 S * 9/2019 Milani D12/209
 D863,190 S * 10/2019 Han D12/209
 D870,631 S * 12/2019 Ash D12/209
 D871,300 S * 12/2019 Ash D12/209
 D871,302 S * 12/2019 Han D12/209
 D874,375 S * 2/2020 Han D12/209
 D877,676 S * 3/2020 Lee D12/209
 D878,270 S * 3/2020 Han D12/209
 D883,891 S * 5/2020 Johnson D12/209
 D886,705 S * 6/2020 Williams D12/209
 D893,386 S * 8/2020 Chung D12/209
 D900,696 S * 11/2020 Han D12/209
 D902,109 S * 11/2020 Han D12/209

* cited by examiner

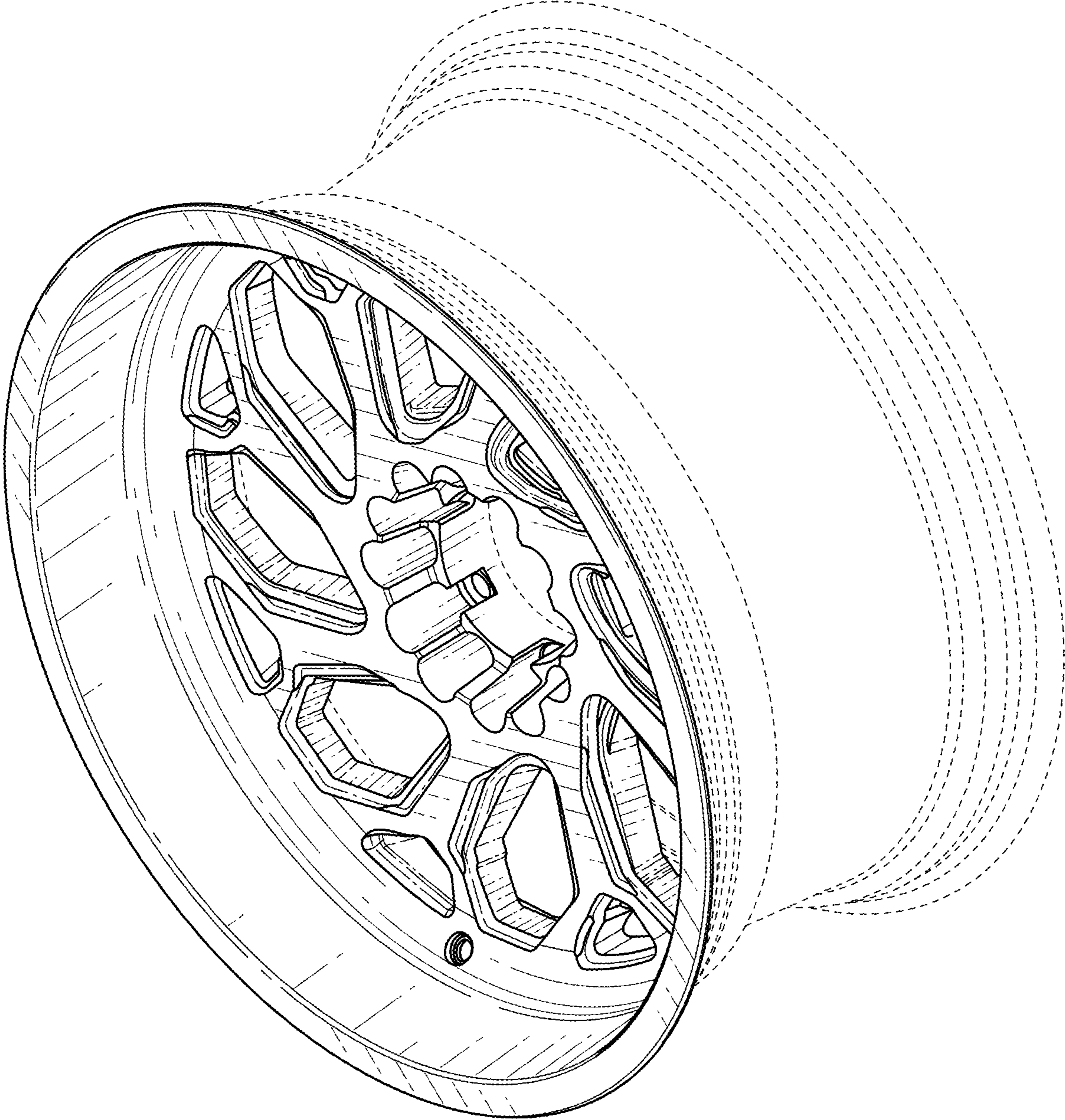


FIG. 1

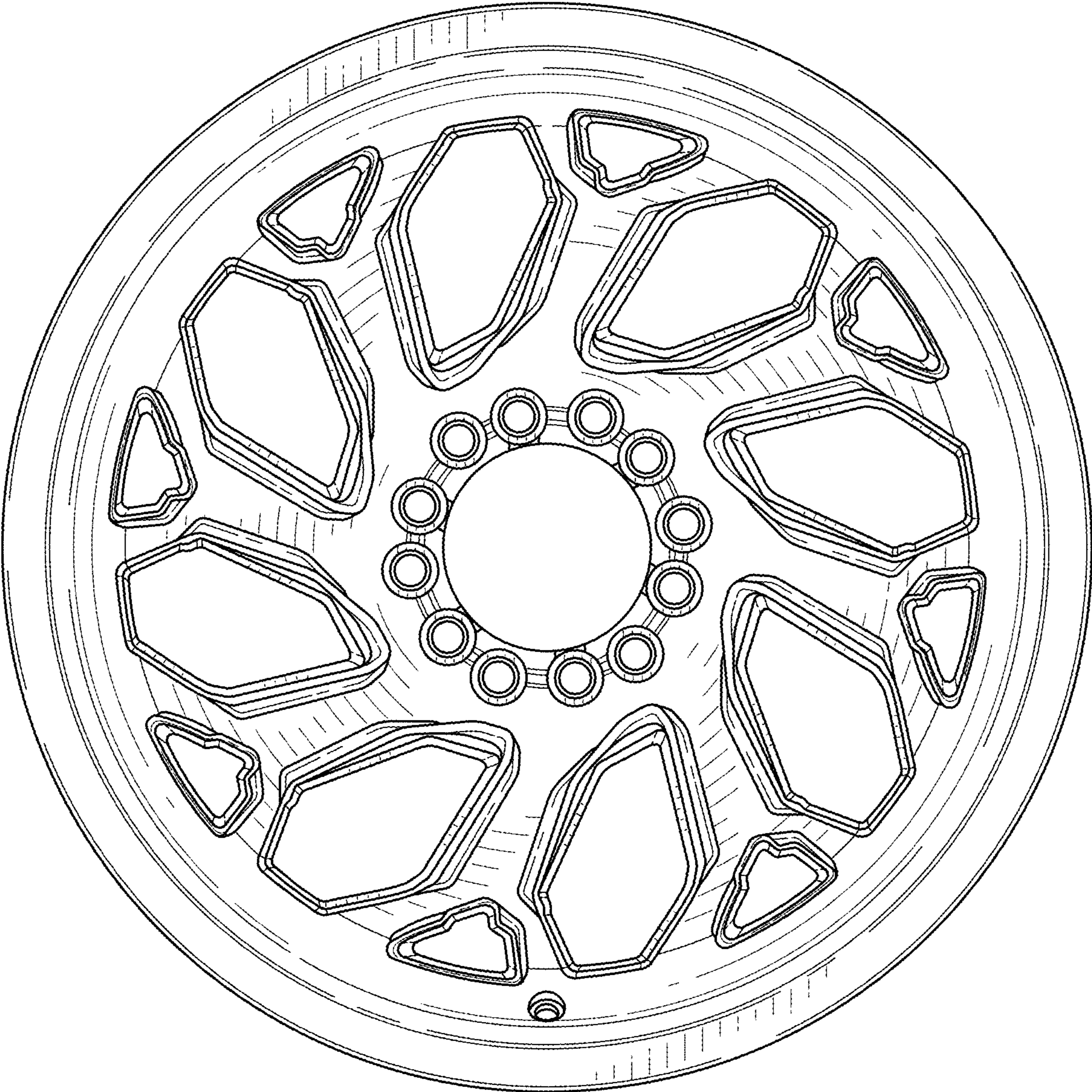


FIG. 2