



US00D912593S

(12) **United States Design Patent**  
**Henderson et al.**

(10) **Patent No.:** **US D912,593 S**

(45) **Date of Patent:** **\*\* Mar. 9, 2021**

(54) **WHEEL**

(71) Applicant: **Wheel Pros, LLC**, Greenwood Village, CO (US)

(72) Inventors: **Brian Henderson**, Long Beach, CA (US); **Yuri Ranum**, Los Angeles, CA (US)

(\*\*) Term: **15 Years**

(21) Appl. No.: **29/723,136**

(22) Filed: **Feb. 4, 2020**

(51) **LOC (13) Cl.** ..... **12-16**

(52) **U.S. Cl.**  
USPC ..... **D12/209**

(58) **Field of Classification Search**  
USPC ..... D12/204–213; D21/563  
CPC .... B60B 7/00; B60B 7/02; B60B 7/04; B60B 7/01; B60B 7/06; B60B 3/02; B60B 3/04; B60B 3/06; B60B 3/10; B60B 1/00; B60B 1/08; B60B 1/10; B60B 1/12  
See application file for complete search history.

(56) **References Cited**

**U.S. PATENT DOCUMENTS**

D267,488 S	*	1/1983	Hayashi	.....	D12/211
D277,661 S	*	2/1985	Cafaro	.....	D12/211
D335,859 S	*	5/1993	Mattin	.....	D12/211
D391,913 S	*	3/1998	Chung	.....	D12/209
D421,735 S	*	3/2000	Gagnon	.....	D12/209
D448,715 S	*	10/2001	Hartl	.....	D12/211
D452,838 S	*	1/2002	Hieke	.....	D12/209
D462,309 S	*	9/2002	Hieke	.....	D12/211
D478,542 S		8/2003	Sulahian		
D500,002 S	*	12/2004	Kushartanto	.....	D12/209
D504,650 S	*	5/2005	Ishiwata	.....	D12/209
D513,486 S		1/2006	Rivera		
D522,429 S	*	6/2006	Ishiwata	.....	D12/209

D525,183 S	*	7/2006	Pfeiffer	.....	D12/209
D526,261 S	*	8/2006	Ohta	.....	D12/209
D528,954 S		9/2006	Laengerer		
D532,735 S	*	11/2006	Looho	.....	D12/209
D535,932 S	*	1/2007	Lorinser	.....	D12/209
D535,933 S	*	1/2007	Markefka	.....	D12/209
D537,027 S	*	2/2007	Hieke	.....	D12/211
D538,728 S	*	3/2007	Pfeiffer	.....	D12/209
D552,525 S		10/2007	Celik		
D553,066 S	*	10/2007	Young	.....	D12/209
D553,068 S		10/2007	Celik		
D567,737 S	*	4/2008	Kim	.....	D12/209
D576,936 S		9/2008	Imai		
D578,457 S		10/2008	Guidry		
D599,266 S		9/2009	Bierenbreier		
D613,659 S		4/2010	Cortes		
D619,073 S		7/2010	Groom		
D620,864 S		8/2010	Groom		
D620,873 S		8/2010	Groom		
D621,321 S	*	8/2010	Groom	.....	D12/211
D625,235 S		10/2010	Nissl		
D638,767 S		5/2011	Groom		
D666,960 S		9/2012	Chung		
D677,610 S	*	3/2013	Holstein	.....	D12/209
D684,516 S		6/2013	Bennion		
D704,116 S		5/2014	Chung		

(Continued)

*Primary Examiner* — Stacia A Cadmus

(74) *Attorney, Agent, or Firm* — Eric Hanscom

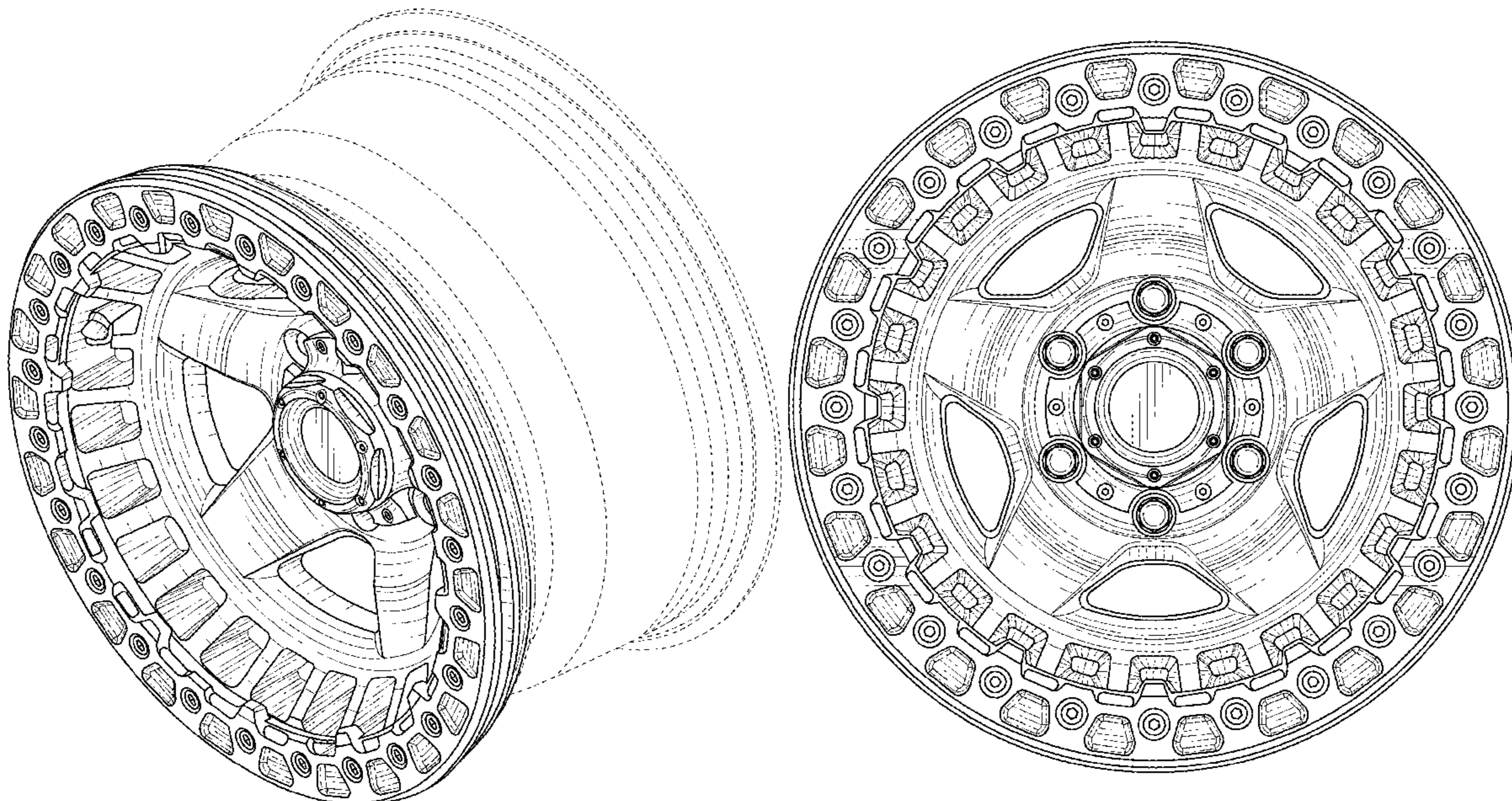
(57) **CLAIM**

The ornamental design for a wheel, as shown and described.

**DESCRIPTION**

FIG. 1 is a perspective view of a wheel showing our new design; and, FIG. 2 is a front view thereof. In the drawings, broken lines shown in the drawings depict environmental subject matter only and form no part of the claimed design.

**1 Claim, 2 Drawing Sheets**



(56)

**References Cited**

U.S. PATENT DOCUMENTS

D714,705 S	10/2014	Kong	
D714,706 S	10/2014	Chung	
D726,628 S	4/2015	Kong	
D733,027 S	6/2015	Chung	
D735,104 S	7/2015	Hodges	
D739,323 S *	9/2015	Kermelk .....	D12/209
D739,803 S	9/2015	Miansian	
D748,556 S	2/2016	Valencia Pollex	
D749,030 S	2/2016	Zhao	
D750,003 S	2/2016	Ahmad	
D755,694 S	5/2016	Valencia Pollex	
D756,287 S	5/2016	Koglin	
D764,373 S	8/2016	Valencia Pollex	
D769,166 S	10/2016	Juergens	
D770,960 S	11/2016	Svensson	
D772,131 S *	11/2016	Wheel .....	D12/209
D775,578 S	1/2017	Johnson	
D797,030 S *	9/2017	Chung .....	D12/211
D811,304 S *	2/2018	Chung .....	D12/209
D832,765 S *	11/2018	Han .....	D12/211
D833,946 S *	11/2018	Han .....	D12/209
D836,523 S *	12/2018	Wittinger .....	D12/209
D856,892 S *	8/2019	Zhao .....	D12/209
D865,620 S *	11/2019	Han .....	D12/209
D865,625 S *	11/2019	Chiu .....	D12/209
D898,651 S *	10/2020	Licklitter .....	D12/209

\* cited by examiner



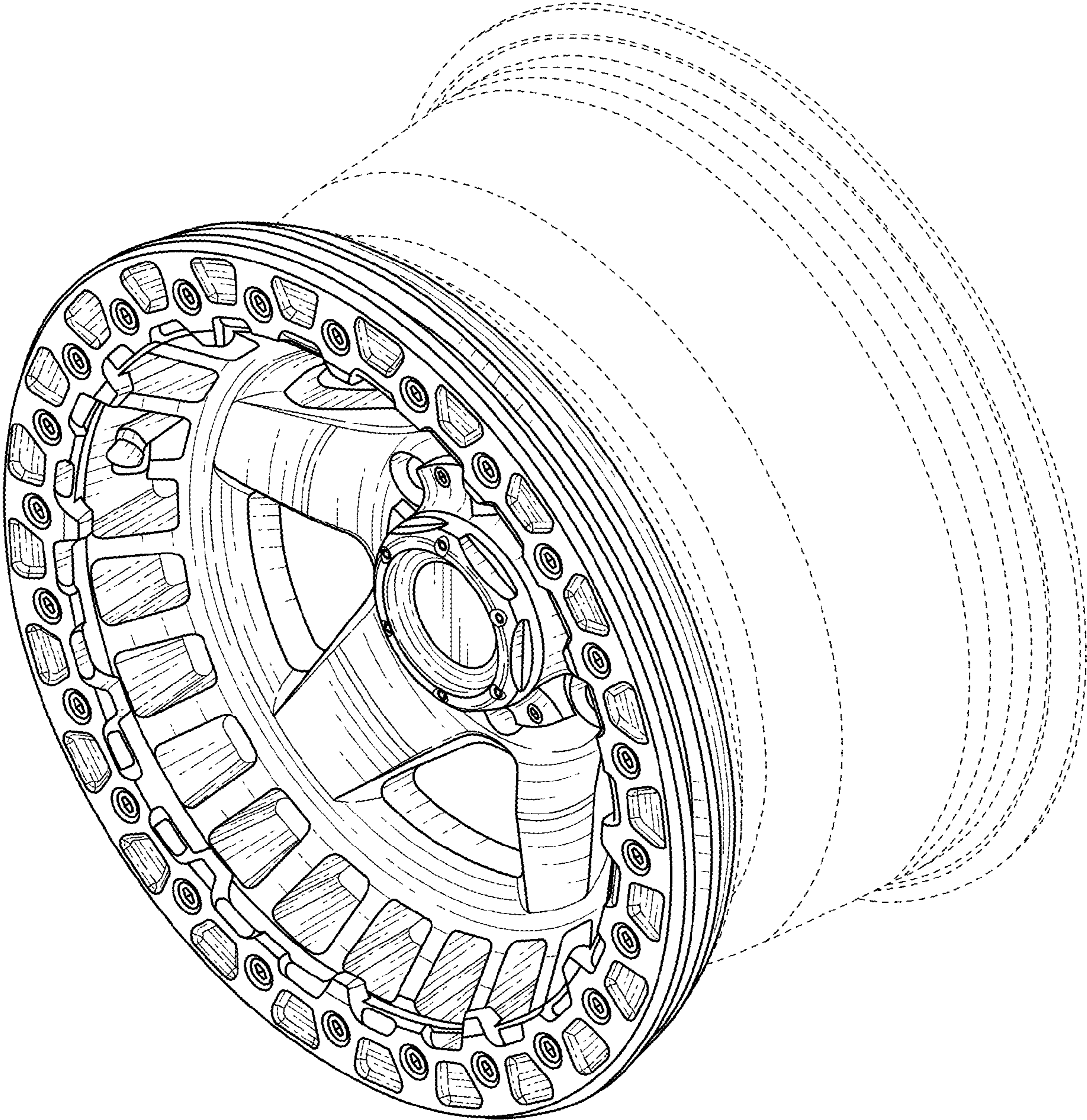


FIG. 1



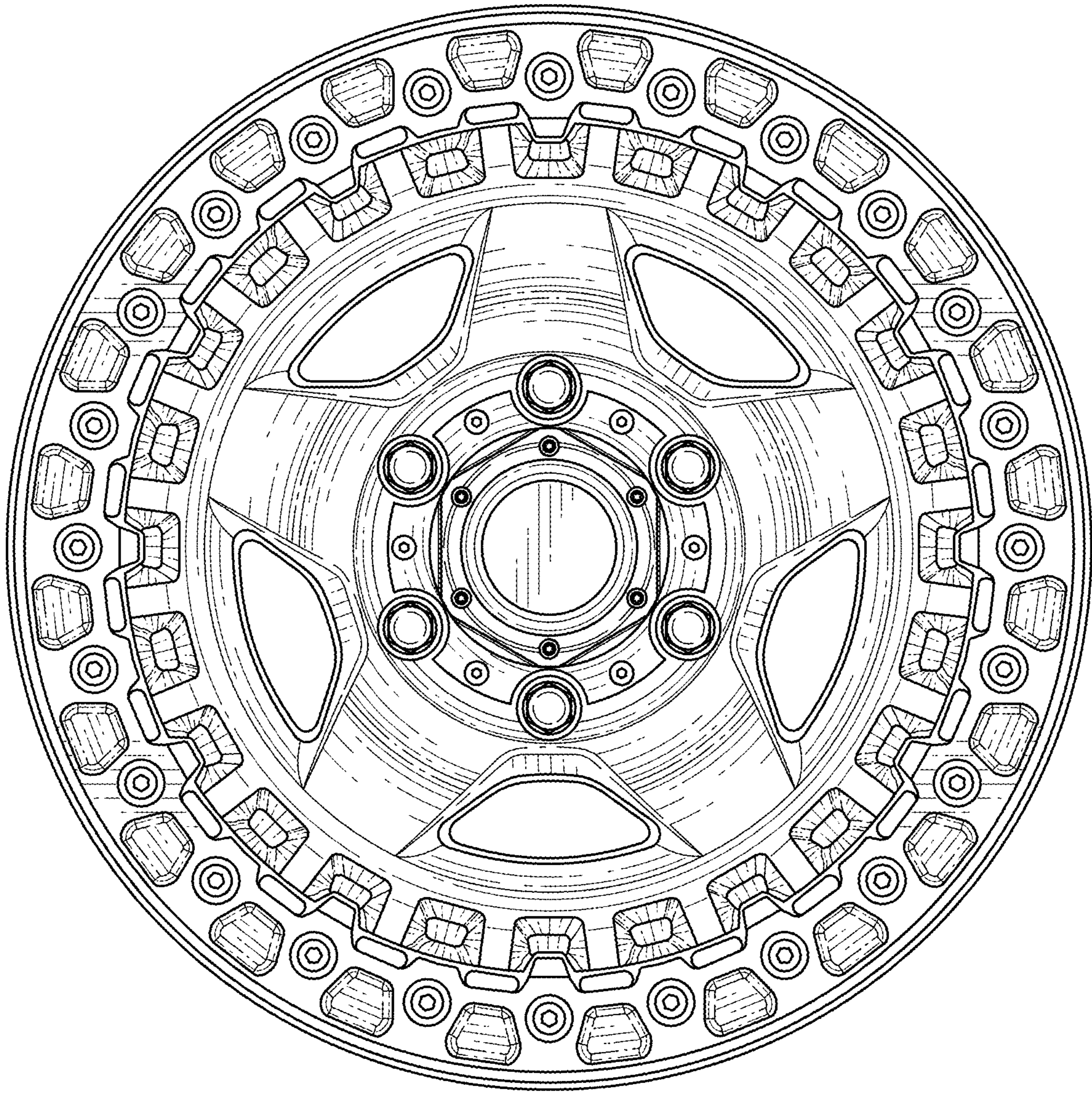


FIG. 2