



US00D912591S

(12) **United States Design Patent**  
**Tran**

(10) **Patent No.:** **US D912,591 S**

(45) **Date of Patent:** **\*\* Mar. 9, 2021**

(54) **WHEEL**

(71) Applicant: **Wheel Pros, LLC**, Greenwood Village, CO (US)

(72) Inventor: **Peter Tran**, Buena Park, CA (US)

(\*\*) Term: **15 Years**

(21) Appl. No.: **29/722,980**

(22) Filed: **Feb. 3, 2020**

(51) **LOC (13) Cl.** ..... **12-16**

(52) **U.S. Cl.**  
USPC ..... **D12/209**

(58) **Field of Classification Search**  
USPC ..... D12/204–213; D21/563  
CPC .... B60B 7/00; B60B 7/02; B60B 7/04; B60B 7/01; B60B 7/06; B60B 3/02; B60B 3/04; B60B 3/06; B60B 3/10; B60B 1/00; B60B 1/08; B60B 1/10; B60B 1/12

See application file for complete search history.

D505,374 S	5/2005	Aleman	
D510,307 S	10/2005	Howes	
D523,797 S	6/2006	Gallert	
D524,212 S	7/2006	Phillips	
D524,220 S	7/2006	Scheu	
D528,495 S	9/2006	Truebsbach	
D542,209 S	5/2007	Pfeiffer	
D549,148 S	8/2007	Buschmann	
D569,777 S	5/2008	Chung	
D577,650 S	9/2008	Chung	
D579,845 S	11/2008	Chung	
D582,831 S	12/2008	Musser	
D598,357 S	8/2009	Chung	
D617,723 S	6/2010	Zhao	
D623,109 S	9/2010	Markefka	
D635,903 S	4/2011	Zhang	
D654,007 S	2/2012	Nissl	
D654,420 S	2/2012	Guay	
D660,771 S	5/2012	Mueller-Stolz	
D669,009 S	10/2012	Chung	
D686,961 S	7/2013	Chung	
D691,937 S	* 10/2013	Chan	D12/209
D695,193 S	12/2013	Kong	
D698,298 S	1/2014	Cortes	
D698,300 S	1/2014	Chung	
D702,172 S	4/2014	Chung	

(Continued)

(56) **References Cited**

**U.S. PATENT DOCUMENTS**

D291,796 S	9/1987	Reid
D361,975 S	9/1995	Weld
D391,216 S	2/1998	Ballmann
D408,775 S	4/1999	Shikado
D453,492 S	2/2002	Laengerer
D455,698 S	4/2002	Chung
D467,212 S	12/2002	Noriega
D470,094 S	2/2003	van Hooydonk
D480,036 S	9/2003	Laengerer
D482,996 S	12/2003	Sulahian
D492,925 S	7/2004	Fitzgerald
D496,317 S	9/2004	Kataoka
D499,684 S	12/2004	Cheng
D502,438 S	3/2005	Weld
D504,859 S	5/2005	Sulahian

*Primary Examiner* — Stacia A Cadmus

(74) *Attorney, Agent, or Firm* — Eric Hanscom

(57) **CLAIM**

The ornamental design for a wheel, as shown and described.

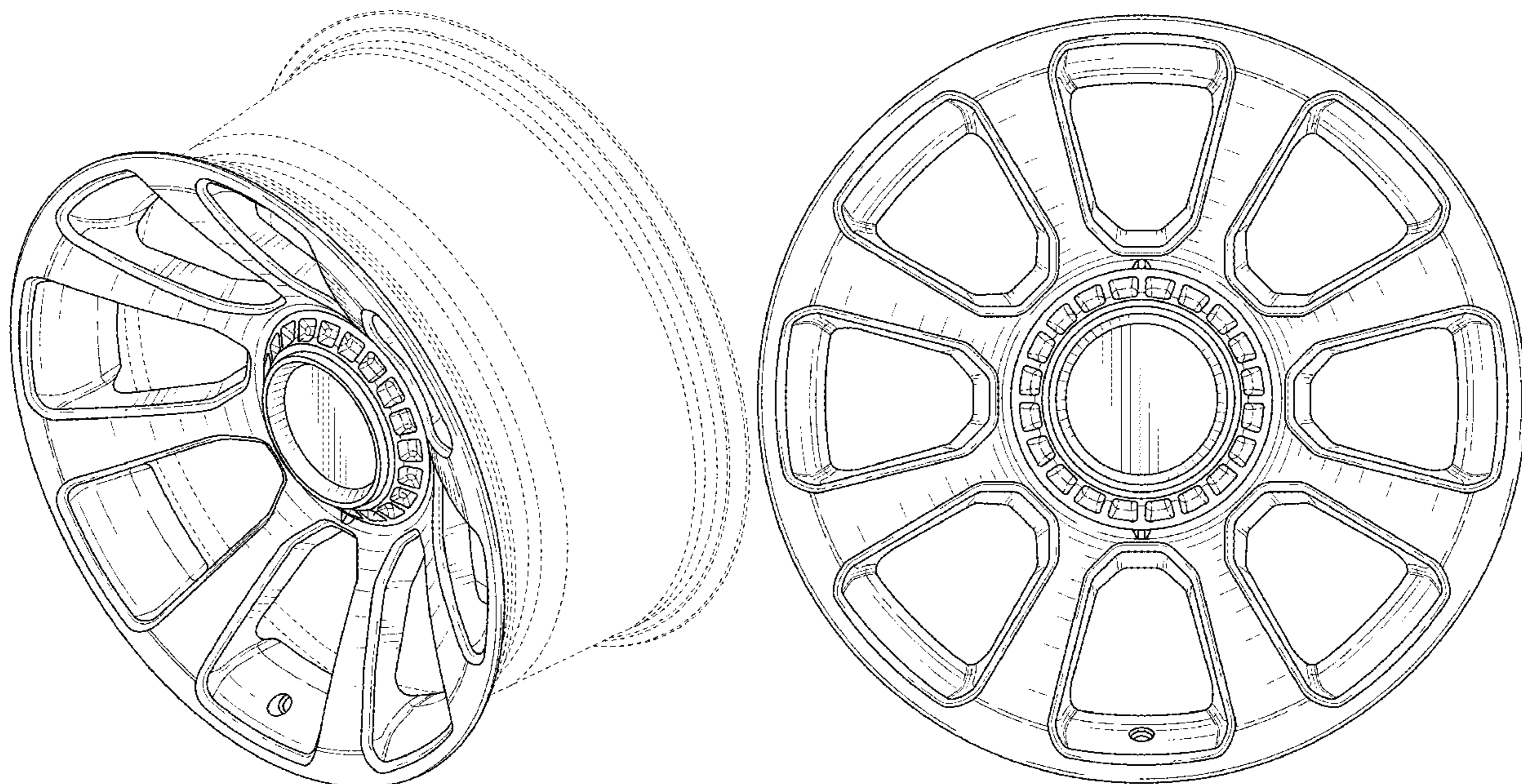
**DESCRIPTION**

FIG. 1 is a perspective view of a wheel showing my new design; and,

FIG. 2 is a front view thereof.

In the drawings, broken lines shown in the drawings depict environmental subject matter only and form no part of the claimed design.

**1 Claim, 2 Drawing Sheets**



(56)

References Cited

U.S. PATENT DOCUMENTS

D704,117 S 5/2014 Chung  
 D704,617 S 5/2014 Chung  
 D706,197 S 6/2014 Chung  
 D707,167 S 6/2014 Chung  
 D709,020 S 7/2014 Chung  
 D713,316 S 9/2014 Song  
 D714,207 S 9/2014 Kim  
 D715,724 S \* 10/2014 Chung ..... D12/211  
 D717,709 S 11/2014 Valencia Pollex  
 D719,893 S 12/2014 Kim  
 D721,318 S \* 1/2015 Kim ..... D12/211  
 D731,946 S 6/2015 Chung  
 D742,293 S 11/2015 Chung  
 D746,753 S \* 1/2016 Johnson ..... D12/209  
 D751,481 S \* 3/2016 Chung ..... D12/209  
 D751,966 S \* 3/2016 Zhao ..... D12/211  
 D753,046 S 4/2016 Liffick

D756,882 S 5/2016 Tirado  
 D766,805 S 9/2016 Chung  
 D769,785 S 10/2016 Wells  
 D780,655 S 3/2017 Trim  
 D782,385 S \* 3/2017 Zhao ..... D12/211  
 D821,284 S \* 6/2018 Tran ..... D12/209  
 D826,827 S \* 8/2018 Tran ..... D12/209  
 D833,360 S \* 11/2018 Kong ..... D12/209  
 D835,023 S \* 12/2018 Tran ..... D12/209  
 D842,185 S \* 3/2019 Chung ..... D12/209  
 D847,718 S \* 5/2019 Han ..... D12/209  
 D852,714 S \* 7/2019 Hale, Jr. .... D12/213  
 D856,246 S \* 8/2019 Liffick ..... D12/209  
 D857,595 S \* 8/2019 Luo ..... D12/211  
 D865,615 S \* 11/2019 Tran ..... D12/209  
 D889,365 S \* 7/2020 Han ..... D12/209  
 D897,926 S \* 10/2020 Chung ..... D12/209  
 D901,353 S \* 11/2020 Tran ..... D12/209  
 D906,927 S \* 1/2021 Ma ..... D12/209

\* cited by examiner

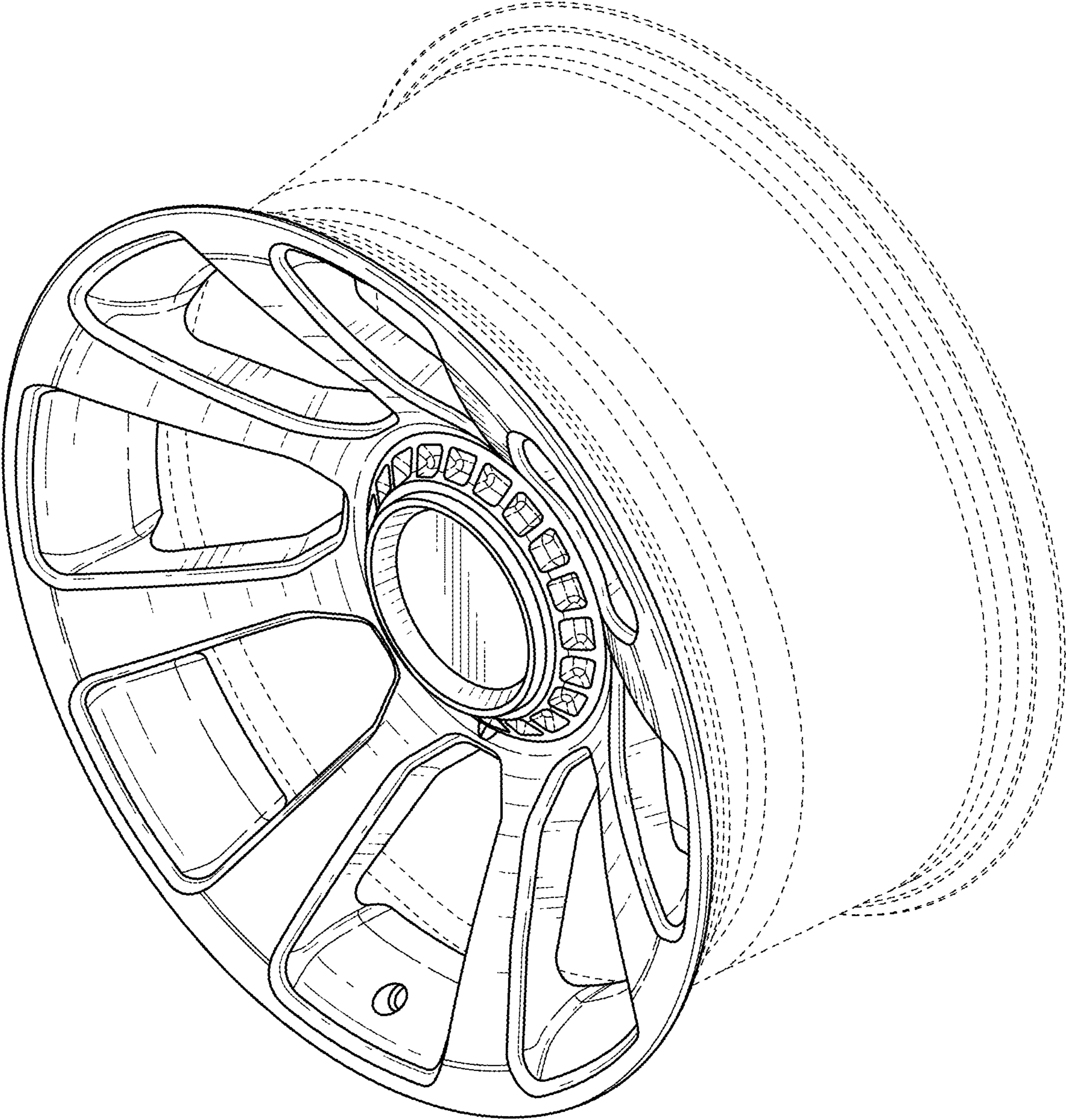


FIG. 1

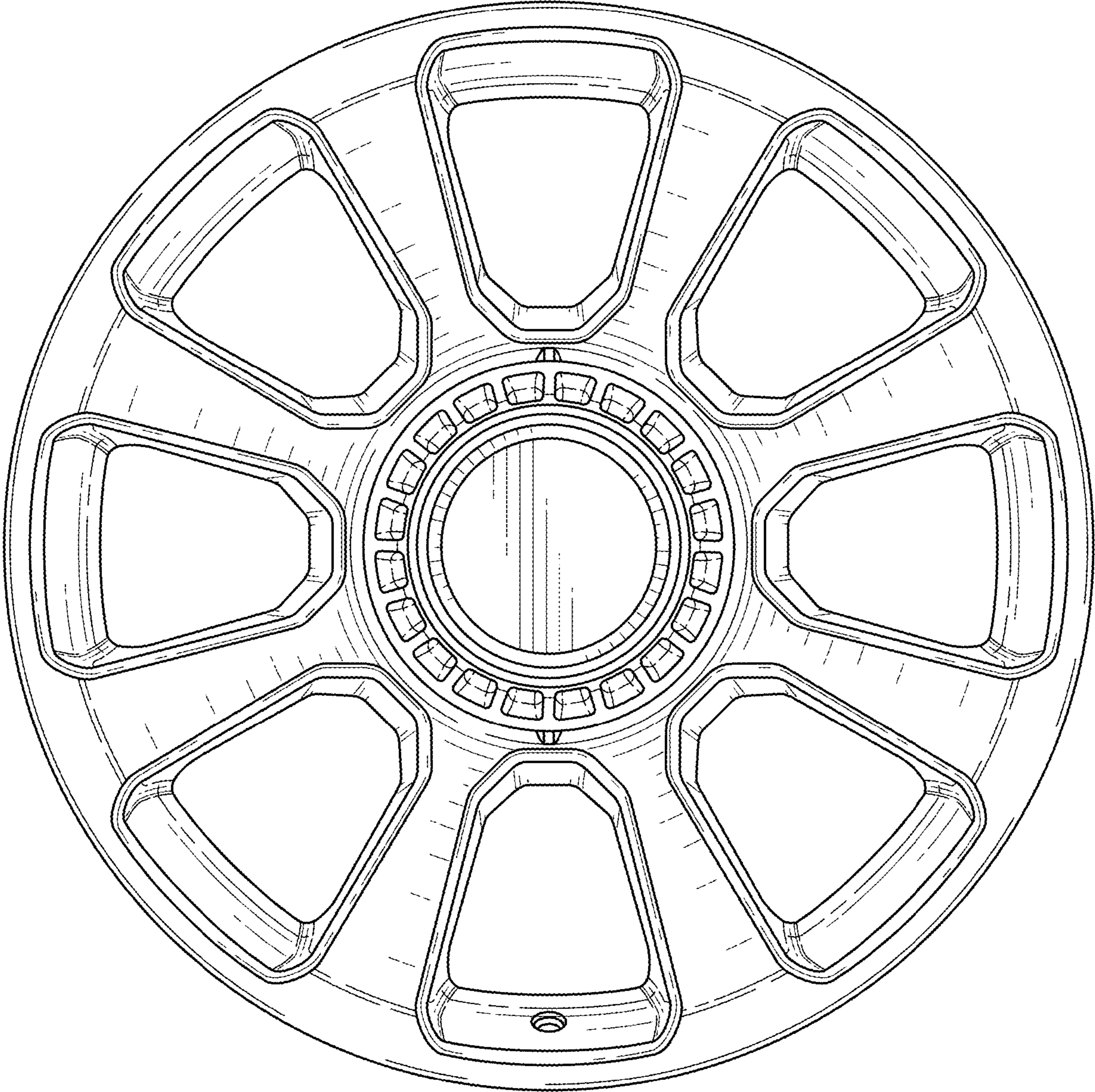


FIG. 2