



US00D912588S

(12) **United States Design Patent** (10) **Patent No.:** **US D912,588 S**
Von Holzhausen et al. (45) **Date of Patent:** **** Mar. 9, 2021**

(54) **CATWALK FOR A VEHICLE**
(71) Applicant: **Tesla, Inc.**, Palo Alto, CA (US)
(72) Inventors: **Franz Von Holzhausen**, Malibu, CA (US); **David Tadashi Imai**, Los Angeles, CA (US); **Randy Rodriguez**, Torrance, CA (US)
(73) Assignee: **Tesla, Inc.**, Palo Alto, CA (US)
(**) Term: **15 Years**
(21) Appl. No.: **29/619,043**

D611,617 S * 3/2010 Heggland D25/69
D634,570 S * 3/2011 Lin D6/705
D737,746 S * 9/2015 Wegener D12/203
D786,452 S * 5/2017 Cooper D25/48.8
D796,996 S * 9/2017 Marsh D12/42
D865,224 S * 10/2019 Harrison D25/155
D871,992 S * 1/2020 Joshi D12/203
2002/0189503 A1 * 12/2002 Hansen B60R 3/005
108/44
2011/0193310 A1 * 8/2011 Gansberger B60R 3/007
280/166
2016/0339844 A1 * 11/2016 Pribisic B60R 3/02
2018/0105115 A1 * 4/2018 Aleman B60N 3/026
2019/0085635 A1 * 3/2019 Simula E06C 5/04

* cited by examiner

Primary Examiner — Susan E Krakower
Assistant Examiner — Jerry Shiuan-Hua Hsu
(74) *Attorney, Agent, or Firm* — Knobbe, Martens, Olson & Bear, LLP

(22) Filed: **Sep. 26, 2017**
(51) **LOC (13) Cl.** **12-16**
(52) **U.S. Cl.**
USPC **D12/203**
(58) **Field of Classification Search**
USPC D8/107, 300, 303, 308, 316, 319, 320,
D8/321, 349, 373, 354, 355, 366, 367,
D8/380, 381, 400, 402, 403, 404;
D6/511, 474, 396, 397, 418, 430, 449,
D6/426, 572, 512, 513, 574; D12/203,
D12/36-51, 190, 195, 196, 400, 404, 415;
D25/64, 65, 69, 155, 152
CPC .. E06C 5/04; B60N 3/026; B60R 3/02; B60R
3/005; B60R 3/007
See application file for complete search history.

(57) **CLAIM**

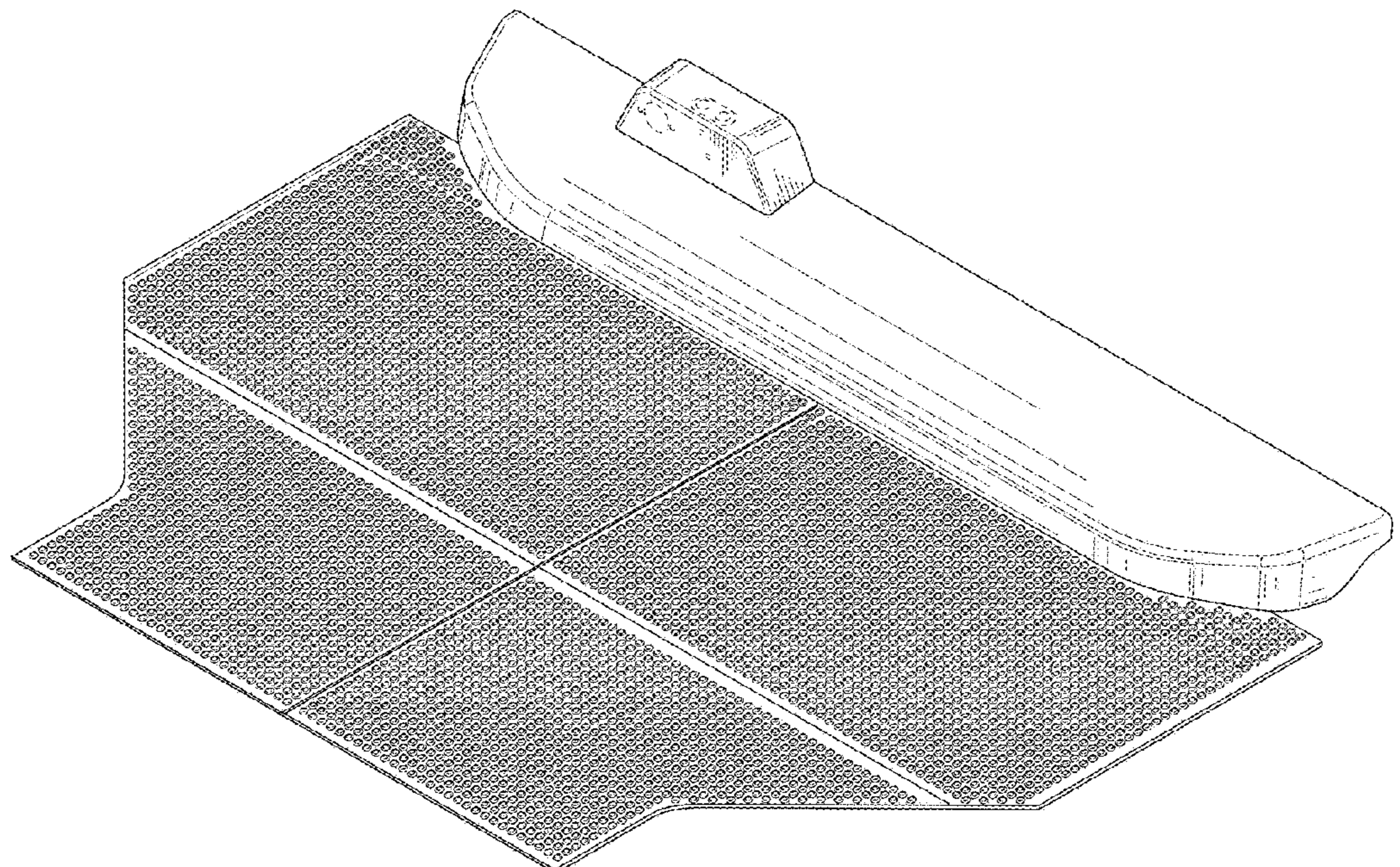
The ornamental design for a catwalk for a vehicle, as shown and described.

DESCRIPTION

FIG. 1 is a perspective view of a catwalk for a vehicle, showing our new design.
FIG. 2 is a front view of the catwalk of FIG. 1.
FIG. 3 is a rear view of the catwalk of FIG. 1.
FIG. 4 is a left-side view of the catwalk of FIG. 1.
FIG. 5 is a right-side view of the catwalk of FIG. 1.
FIG. 6 is a top view of the catwalk of FIG. 1; and,
FIG. 7 is a bottom view of the catwalk of FIG. 1.
The broken lines illustrate portions of the catwalk for a vehicle which form no part of the claimed design.

(56) **References Cited**
U.S. PATENT DOCUMENTS
6,431,093 B1 * 8/2002 Hansen B60R 3/005
108/135
D516,977 S * 3/2006 Keilhauer D12/203
D553,263 S * 10/2007 Kim D25/155

1 Claim, 5 Drawing Sheets



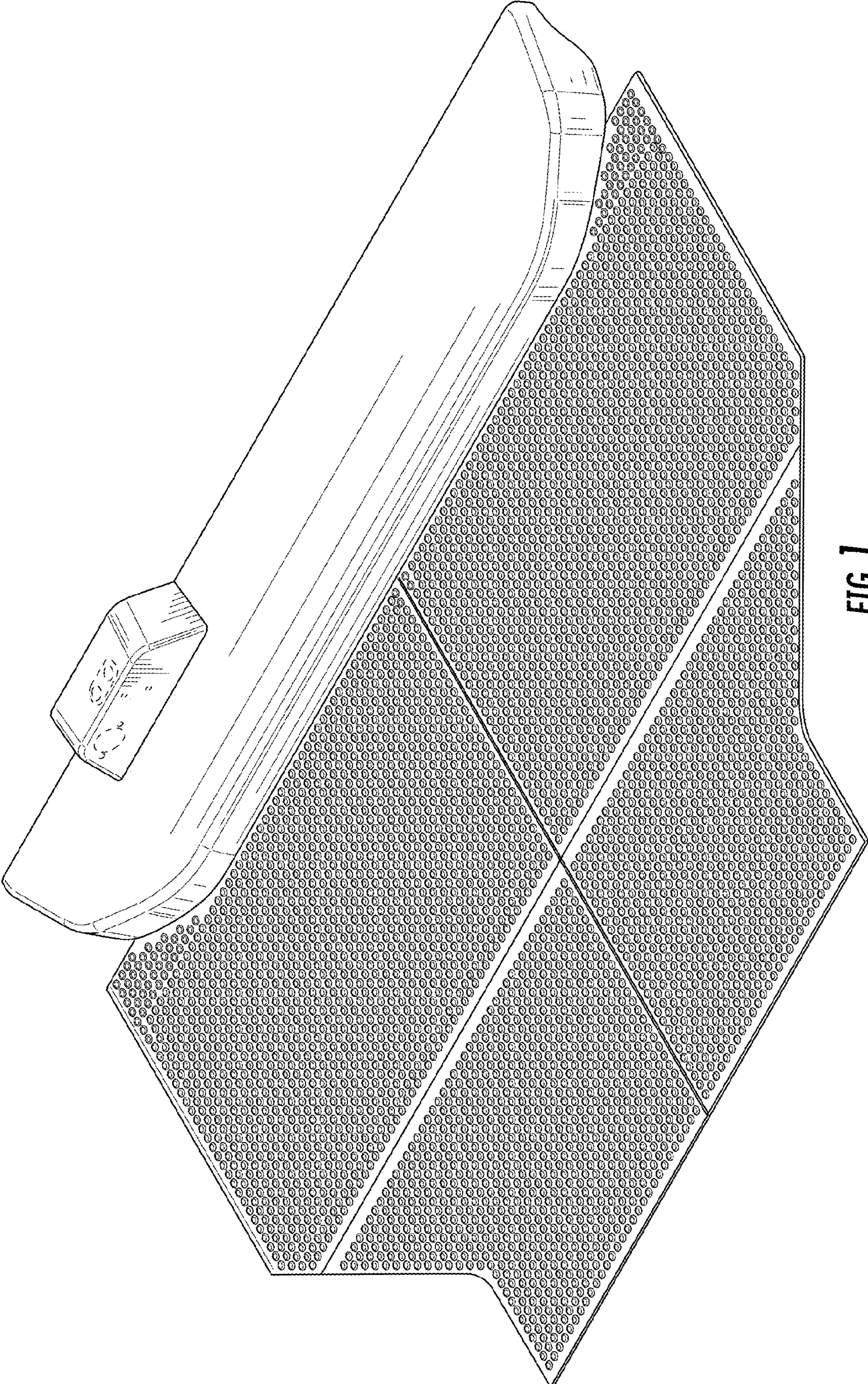


FIG. 1

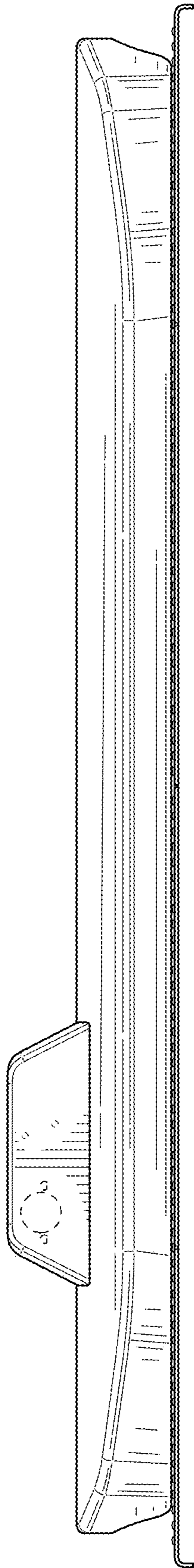


FIG. 2

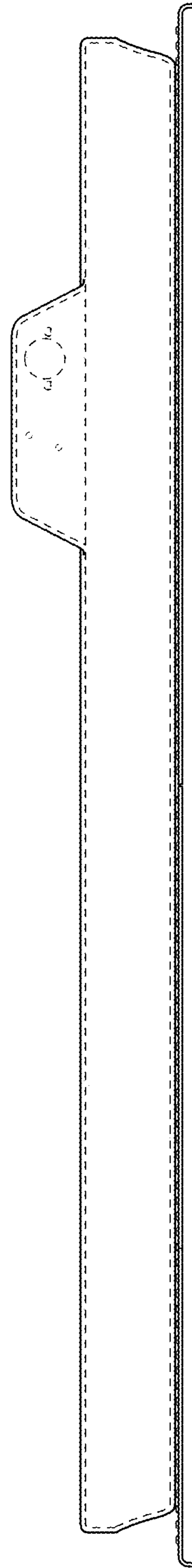


FIG. 3

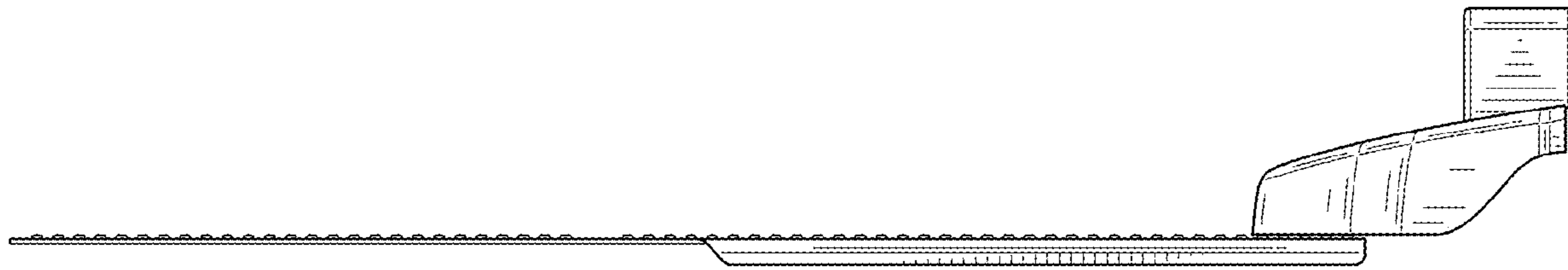


FIG. 4

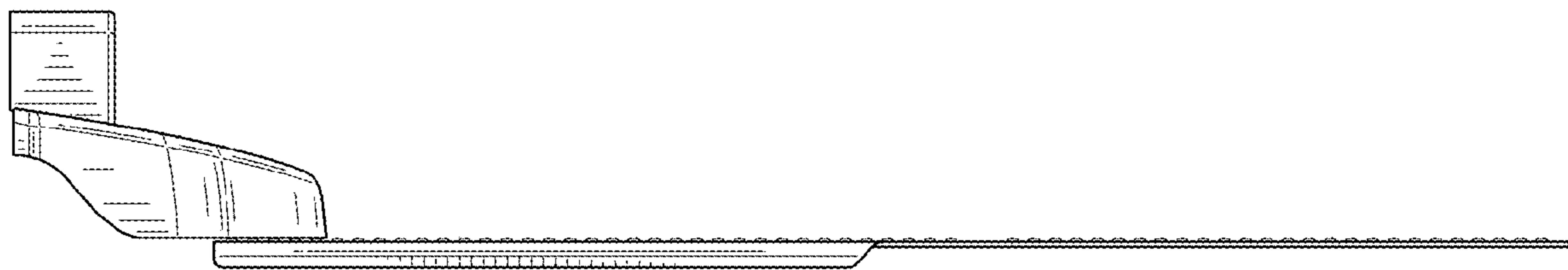


FIG. 5

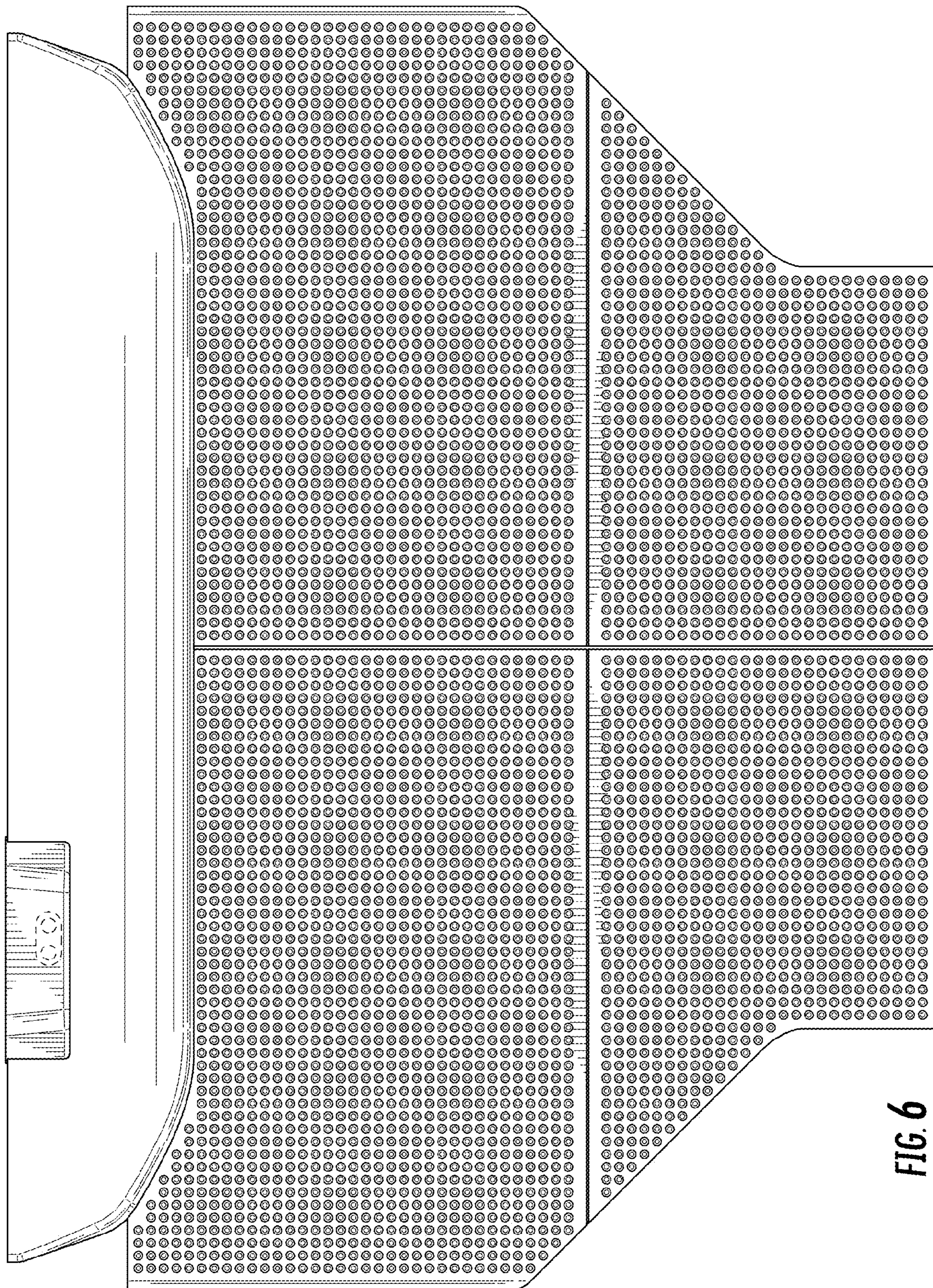


FIG. 6

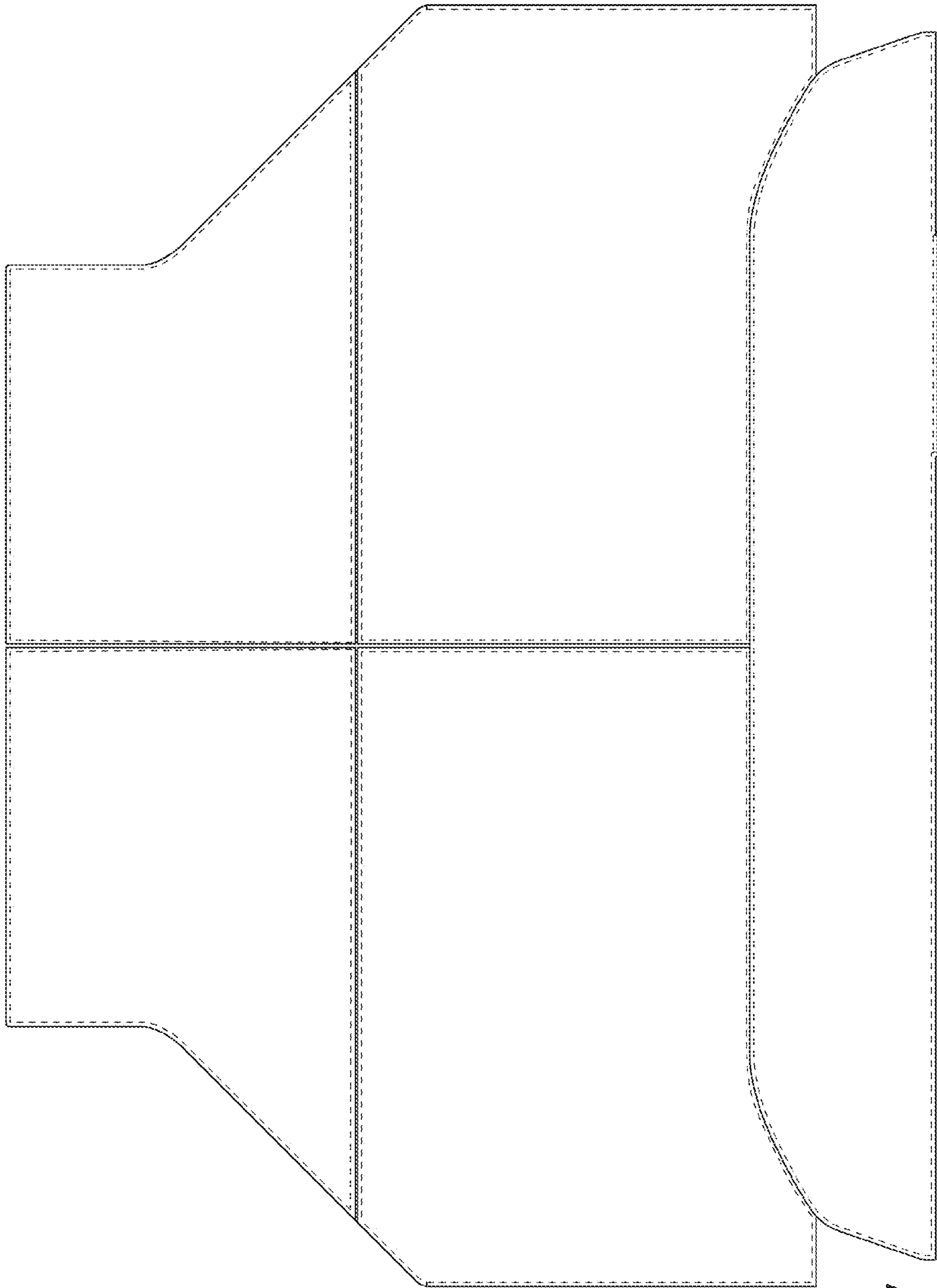


FIG. 7