



US00D912587S

(12) **United States Design Patent**
Spencer et al.

(10) **Patent No.:** **US D912,587 S**
(45) **Date of Patent:** **** Mar. 9, 2021**

(54) **LICENSE PLATE FRAME**
(71) Applicant: **Cruiser Accessories, LLC**, Monument, CO (US)
(72) Inventors: **Todd R. Spencer**, Monument, CO (US); **Mark Hunter Basenberg, Jr.**, Colorado Springs, CO (US)
(73) Assignee: **Cruiser Accessories, LLC**, Monument, CO (US)

(**) Term: **15 Years**

(21) Appl. No.: **29/698,279**

(22) Filed: **Jul. 16, 2019**

(51) **LOC (13) Cl.** **12-16**

(52) **U.S. Cl.**
USPC **D12/193**

(58) **Field of Classification Search**
USPC D12/193; D6/300, 301, 302, 310, 311, D6/312, 313, 314; D20/13
CPC B60R 13/10; B60R 13/105; B60R 19/24; B60R 19/52
See application file for complete search history.

(56) **References Cited**

U.S. PATENT DOCUMENTS

D524,210 S * 7/2006 Spencer D12/193
D524,708 S * 7/2006 Spencer D12/193

D538,722 S * 3/2007 Tofer D12/193
D602,832 S * 10/2009 Tharp D12/193
D636,713 S * 4/2011 Ohm D12/193
D640,177 S * 6/2011 Ohm D12/193
D650,729 S * 12/2011 Dong D12/193
D791,665 S * 7/2017 Filakousky D12/193
D792,825 S * 7/2017 Filakousky D12/193
D871,287 S * 12/2019 Spencer D12/193
D892,690 S * 8/2020 Filakousky D12/193
D892,691 S * 8/2020 Filakousky D12/193

* cited by examiner

Primary Examiner — **Natasha Vujcic**

(74) *Attorney, Agent, or Firm* — **Linda Flewellen Gould**

(57) **CLAIM**

The ornamental design for a license plate frame, as shown and described.

DESCRIPTION

FIG. 1 is a perspective front view showing our new design for a license plate frame.

FIG. 2 is a front elevation view of the license plate frame shown in FIG. 1.

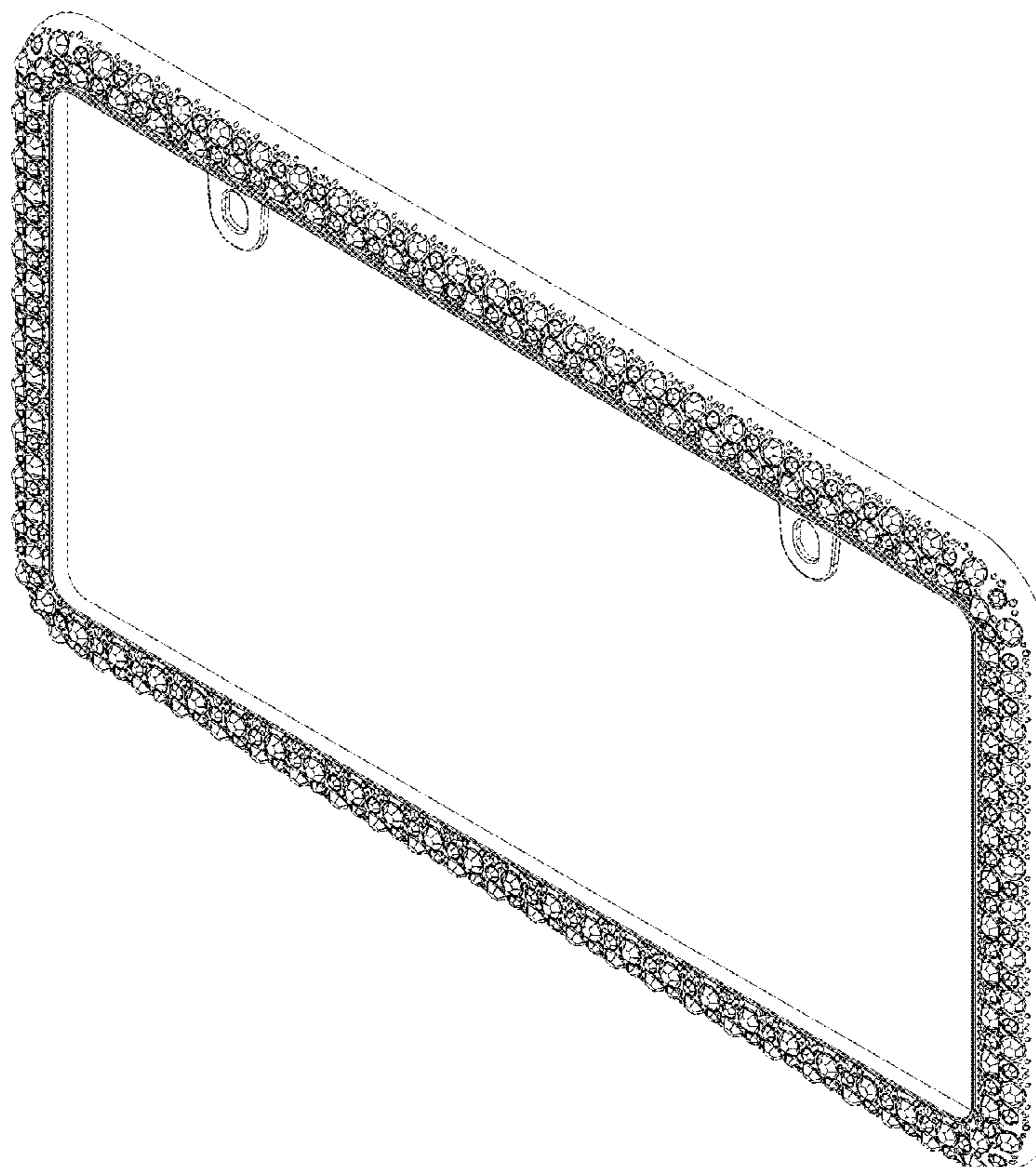
FIG. 3 is a top plan view thereof.

FIG. 4 is a bottom plan view thereof.

FIG. 5 is a right side elevation view thereof; and,

FIG. 6 is left side elevation view thereof.

1 Claim, 3 Drawing Sheets



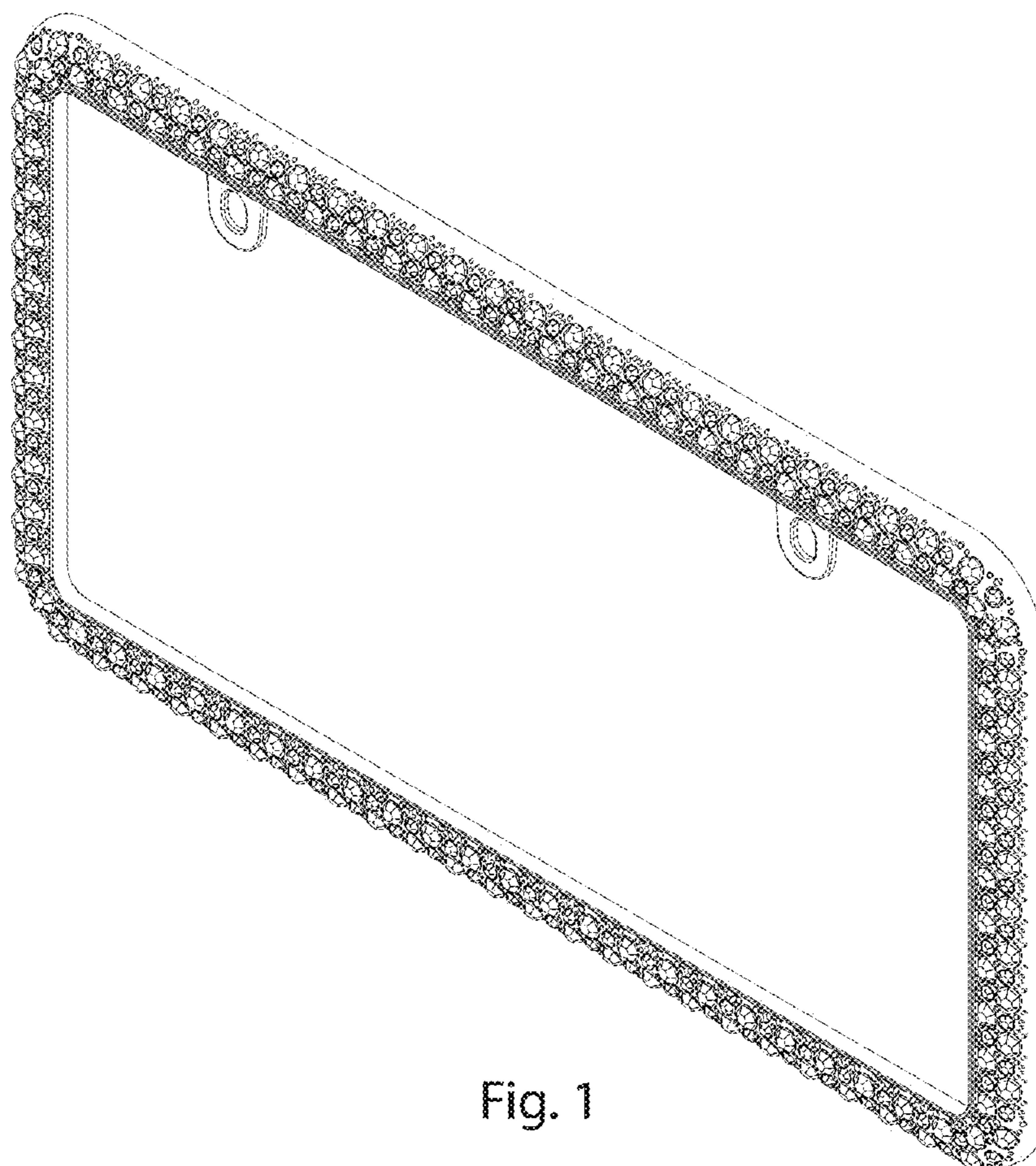


Fig. 1

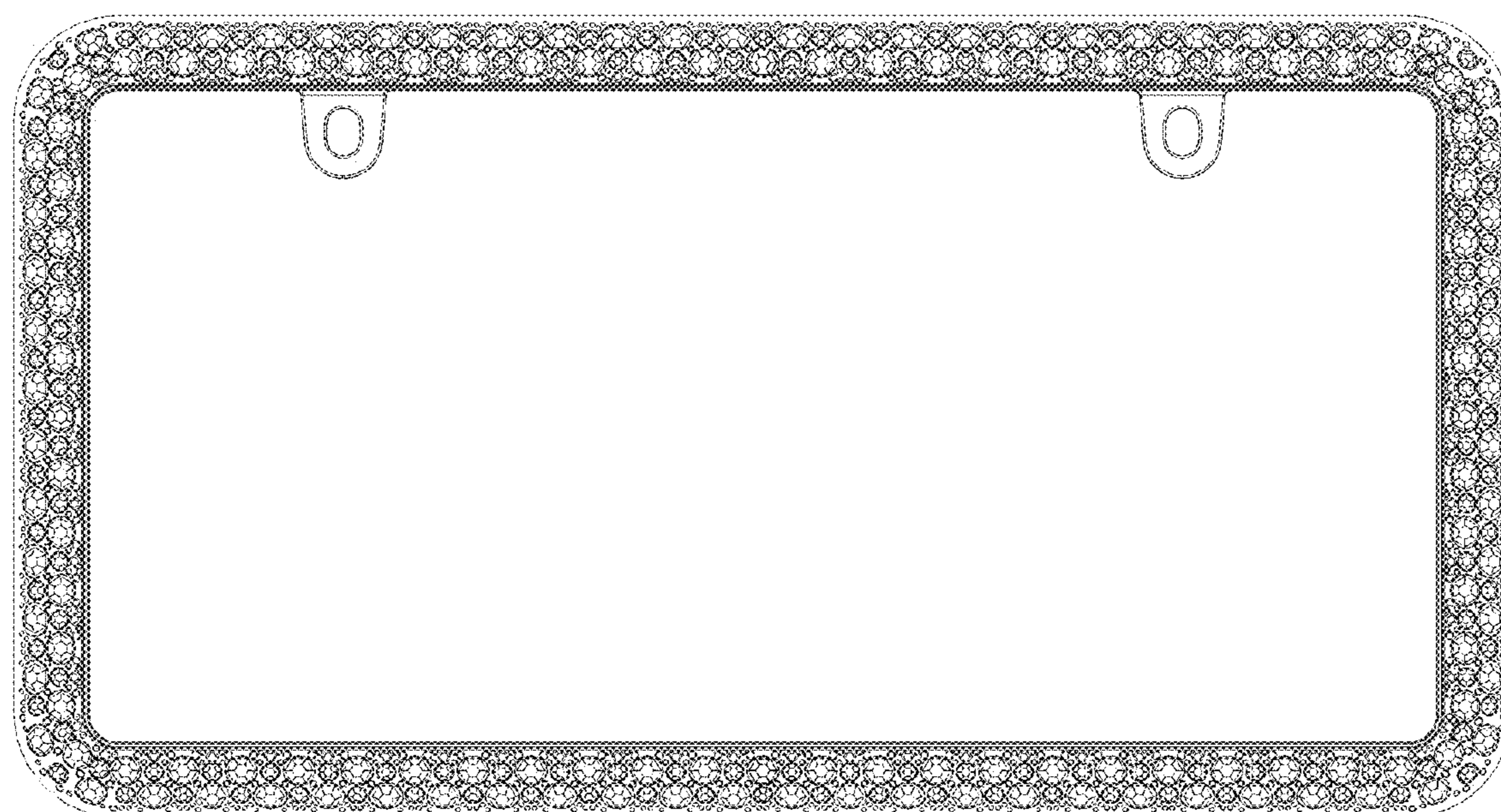


Fig. 2

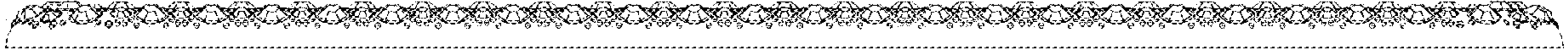


Fig. 3

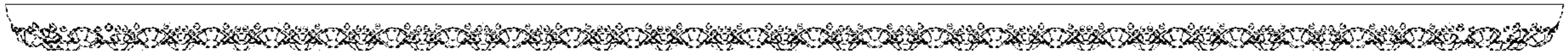


Fig. 4



Fig. 5

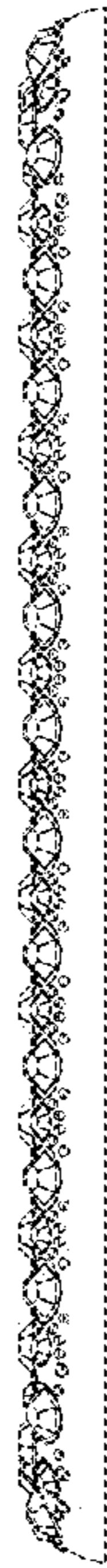


Fig. 6