



US00D912584S

(12) **United States Design Patent**  
**Li et al.**

(10) **Patent No.:** **US D912,584 S**  
(45) **Date of Patent:** **\*\* Mar. 9, 2021**

(54) **HANDRAIL**

8,141,669 B1 \* 3/2012 Laymaster ..... B60K 7/0007  
180/65.6  
D742,807 S \* 11/2015 Vissers ..... D12/421  
D765,562 S \* 9/2016 Dahlin ..... D12/133  
D870,617 S \* 12/2019 Berche ..... D12/178  
10,569,655 B2 \* 2/2020 David ..... B60L 7/18  
D881,766 S \* 4/2020 Canepa ..... D12/178  
D883,862 S \* 5/2020 Liu ..... D12/131  
10,729,603 B2 \* 8/2020 Wang ..... A61G 5/0841  
10,730,579 B2 \* 8/2020 Chang ..... B62D 31/006

(71) Applicant: **SICHUAN GOLDEN RIDGE INTELLIGENCE SCIENCE & TECHNOLOGY CO., LTD.**, Sichuan (CN)

(72) Inventors: **Jiaxin Li**, Chengdu (CN); **Weirong Liu**, Beijing (CN); **Yin Jiao**, Gothenburg (SE); **Li Yan**, Gothenburg (SE)

(73) Assignee: **SICHUAN GOLDEN RIDGE INTELLIGENCE SCIENCE & TECHNOLOGY CO., LTD.**, Chengdu (CN)

(\*\*) Term: **15 Years**

(21) Appl. No.: **29/695,878**

(22) Filed: **Jun. 24, 2019**

(30) **Foreign Application Priority Data**

Dec. 27, 2018 (CN) ..... 201830760672.1

(51) **LOC (13) Cl.** ..... **12-11**

(52) **U.S. Cl.**  
USPC ..... **D12/178**

(58) **Field of Classification Search**  
USPC ..... D12/111, 114, 178; D8/303  
CPC ..... B62K 19/16; B62K 21/12; B62K 21/18;  
B62K 21/125; B62K 23/06  
See application file for complete search history.

(56) **References Cited**

**U.S. PATENT DOCUMENTS**

3,300,612 A \* 1/1967 Quayle ..... H01H 9/06  
200/559  
6,679,343 B2 \* 1/2004 Lin ..... B62K 3/16  
180/315

\* cited by examiner

*Primary Examiner* — Darlington Ly

(74) *Attorney, Agent, or Firm* — Metis IP LLC

(57) **CLAIM**

The ornamental design for a handrail, as shown and described.

**DESCRIPTION**

FIG. 1 is a perspective view of a handrail showing our new design;

FIG. 2 is a front elevation view thereof;

FIG. 3 is a rear elevation view thereof;

FIG. 4 is a right side elevation view thereof;

FIG. 5 is a left side elevation view thereof;

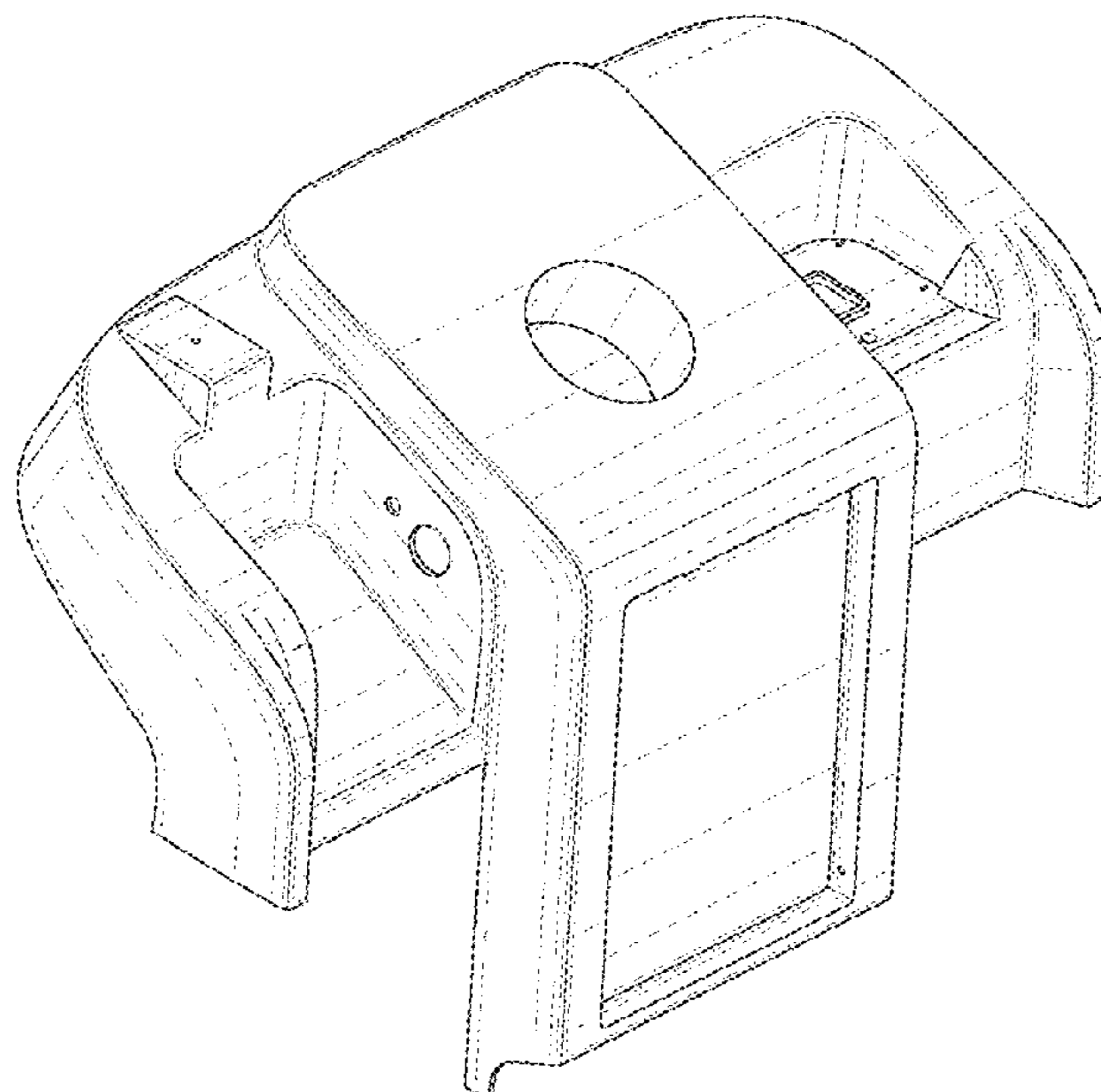
FIG. 6 is a top plan view thereof; and,

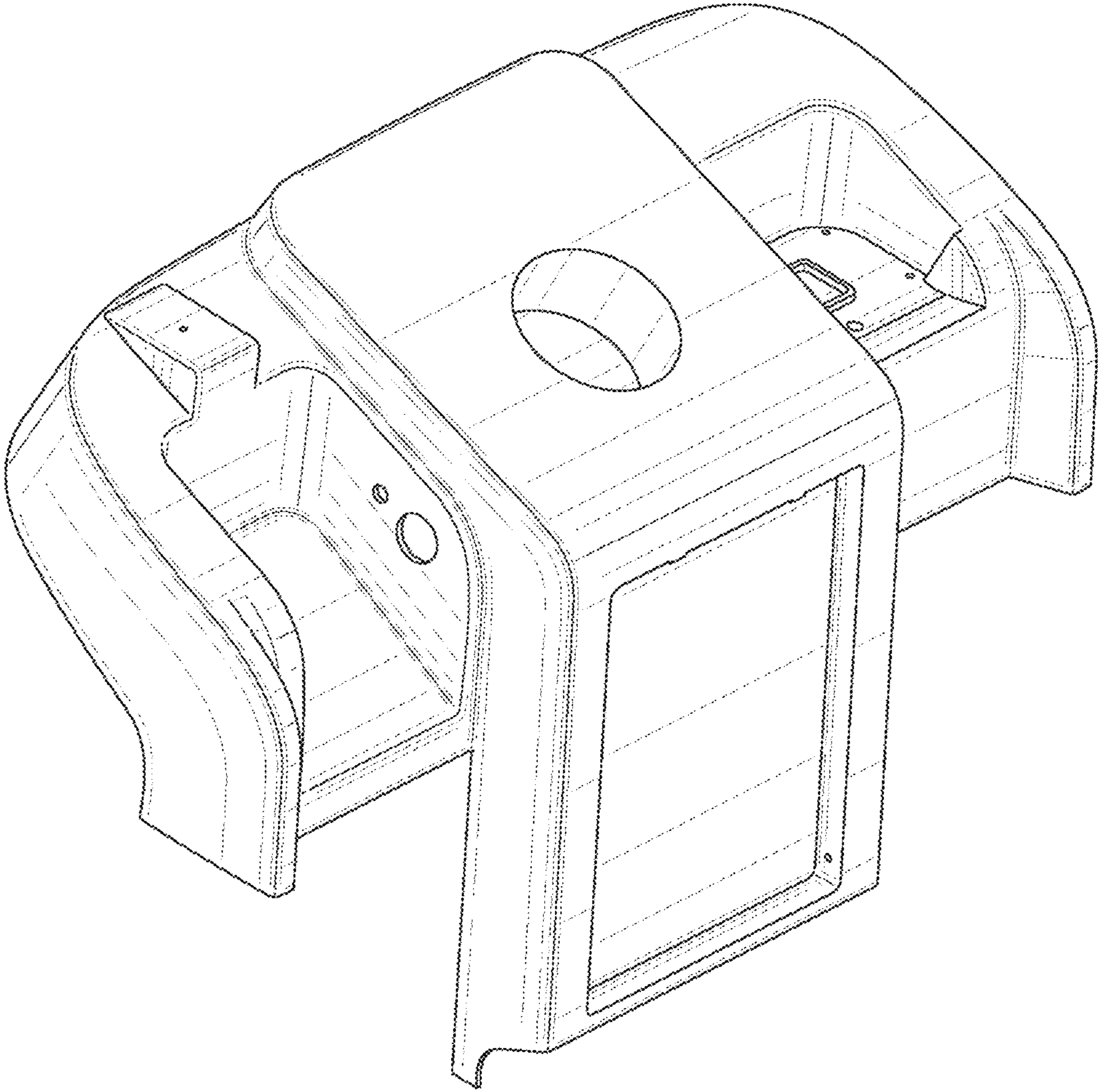
FIG. 7 is a bottom plan view thereof.

The shade lines in the Figures show contour and not surface ornamentation.

The broken lines in the drawings illustrate portions of the handrail that form no part of the claimed design.

**1 Claim, 7 Drawing Sheets**





**FIG. 1**

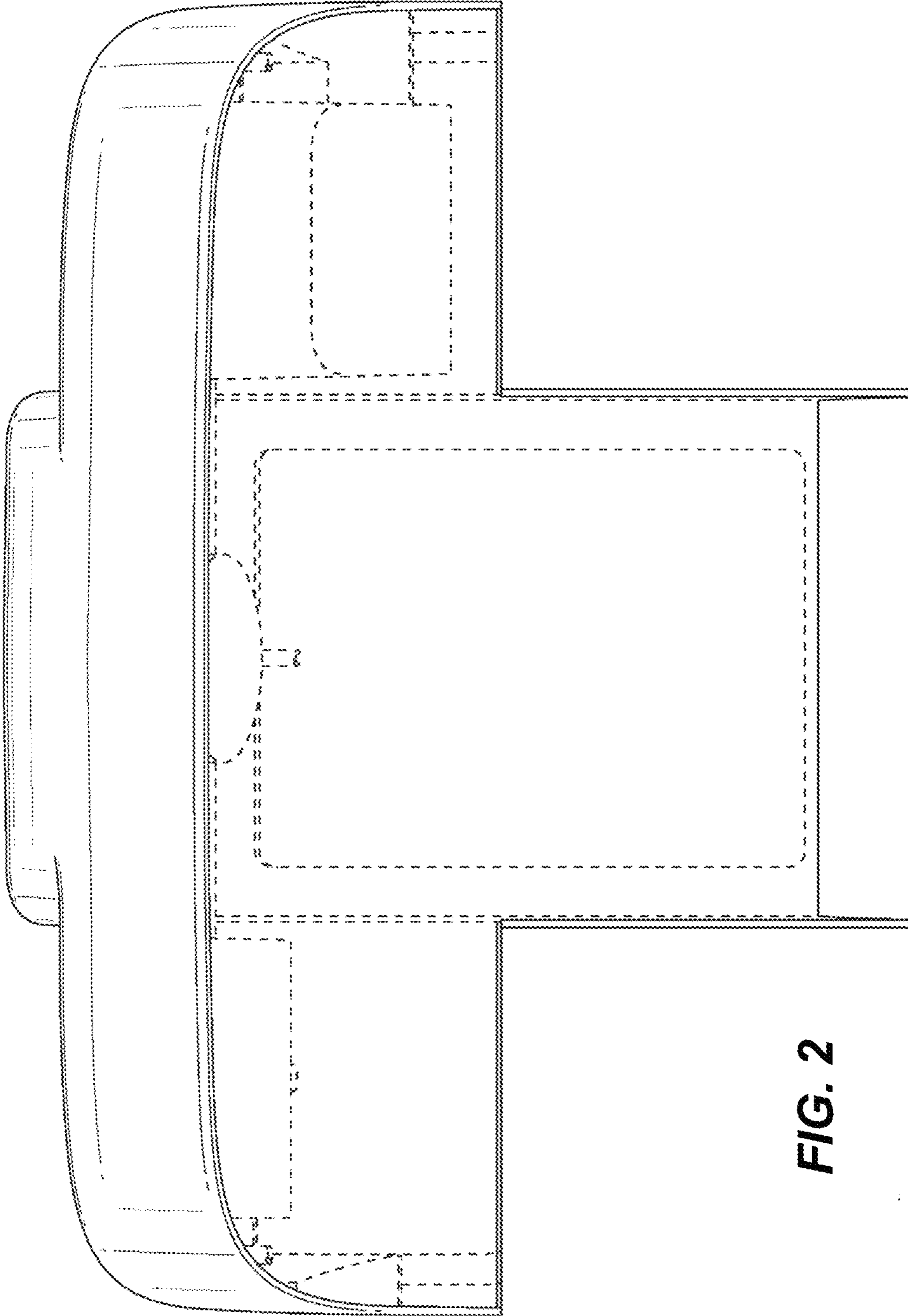
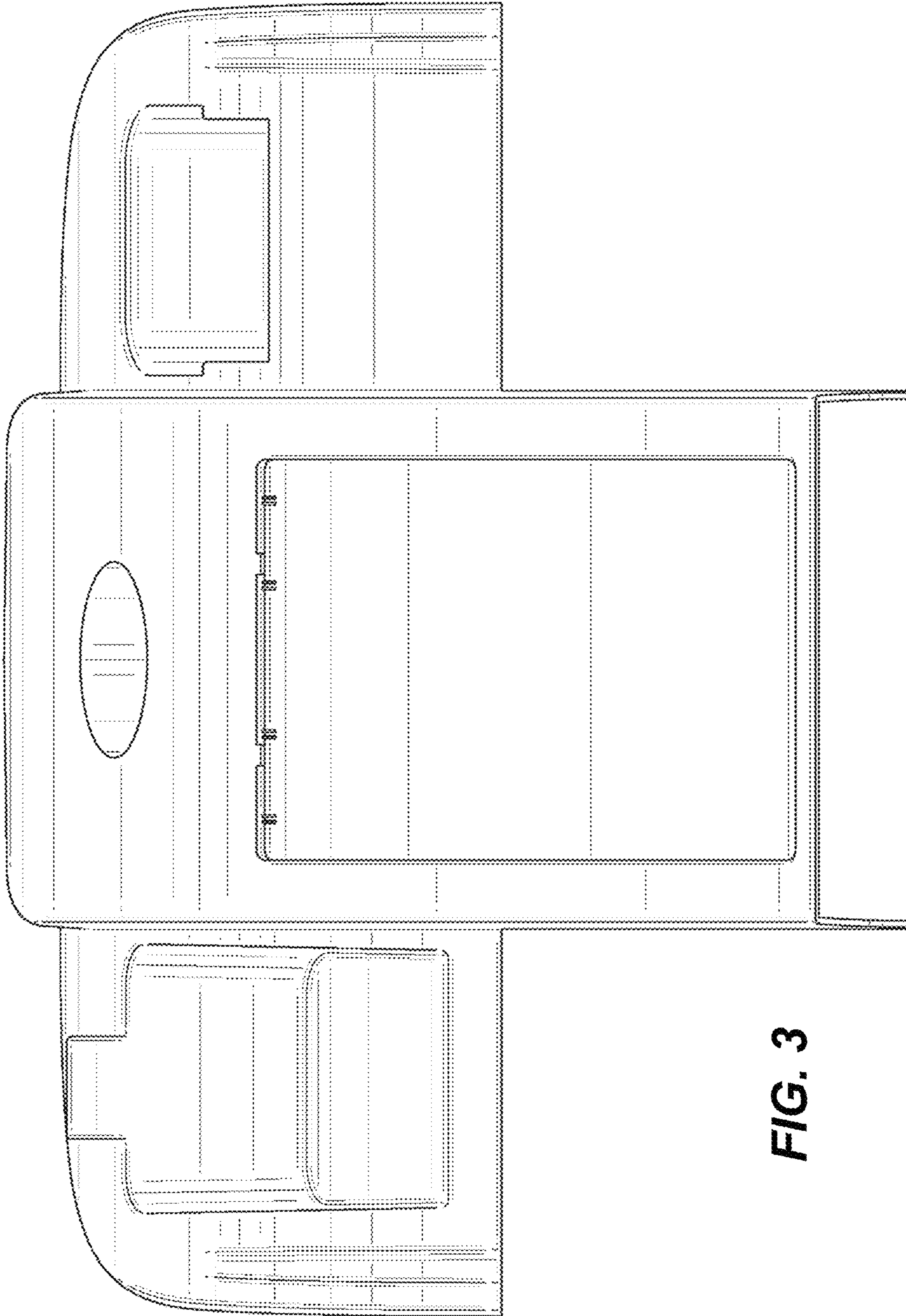
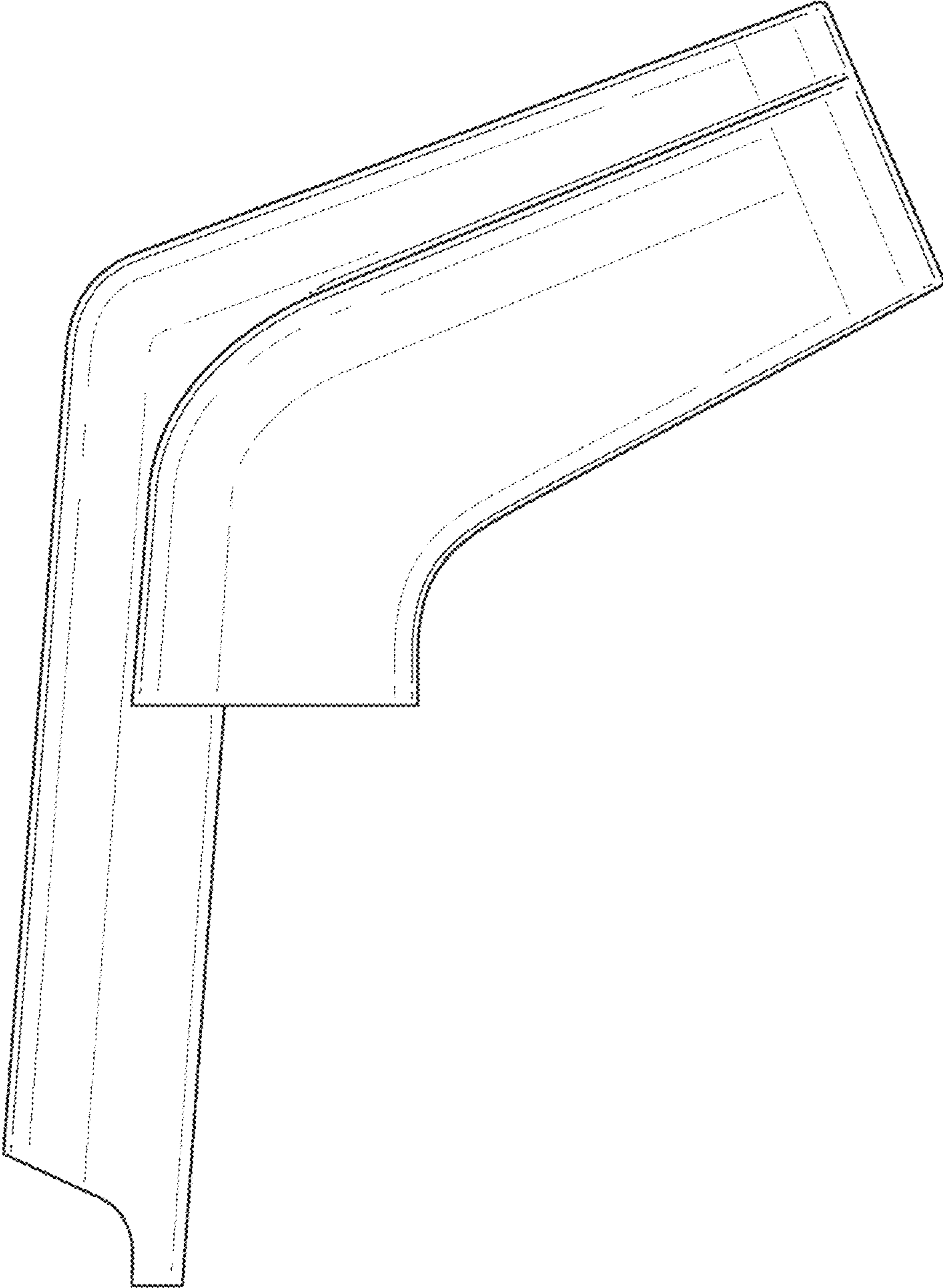


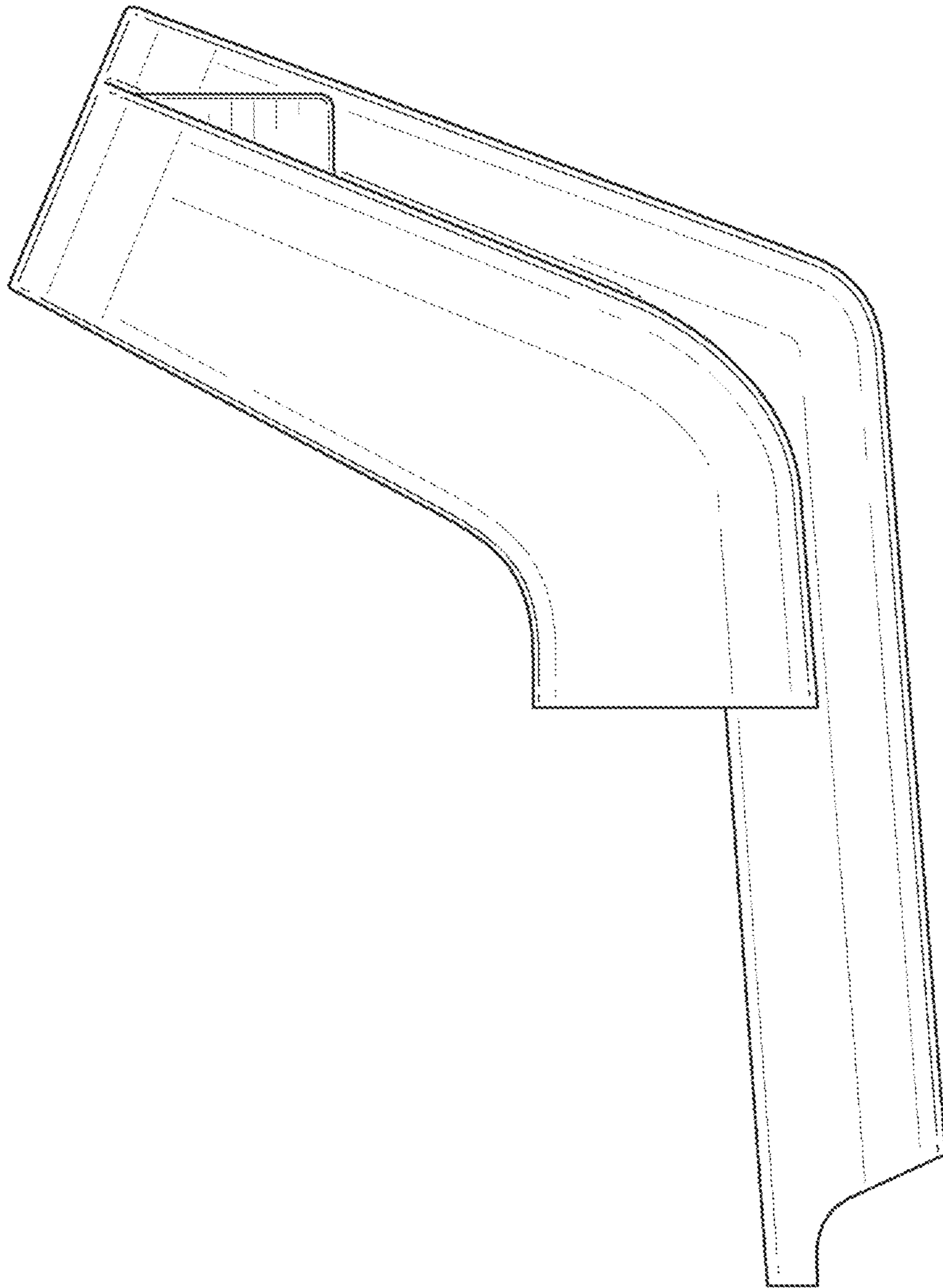
FIG. 2



**FIG. 3**



**FIG. 4**



**FIG. 5**

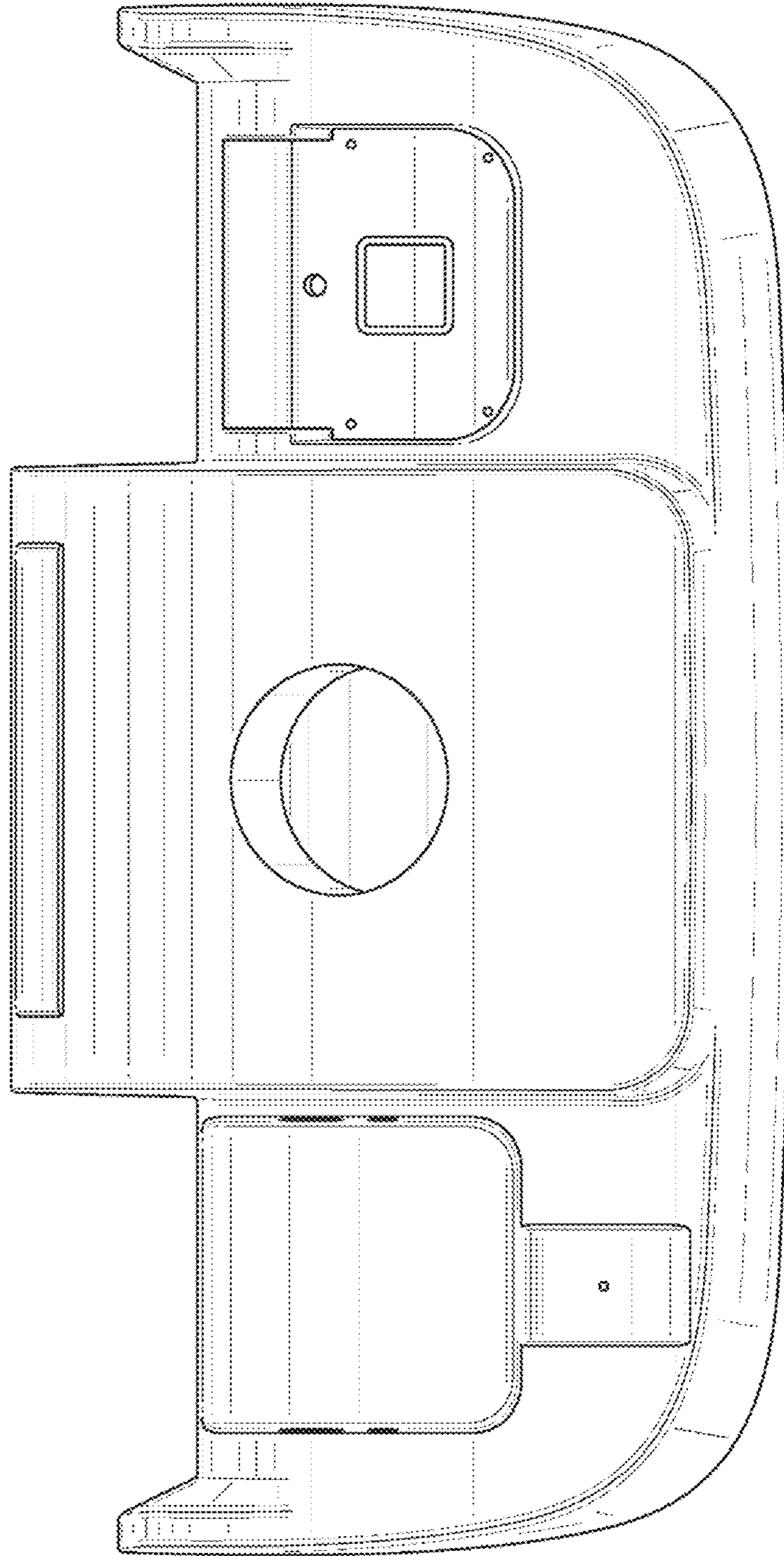
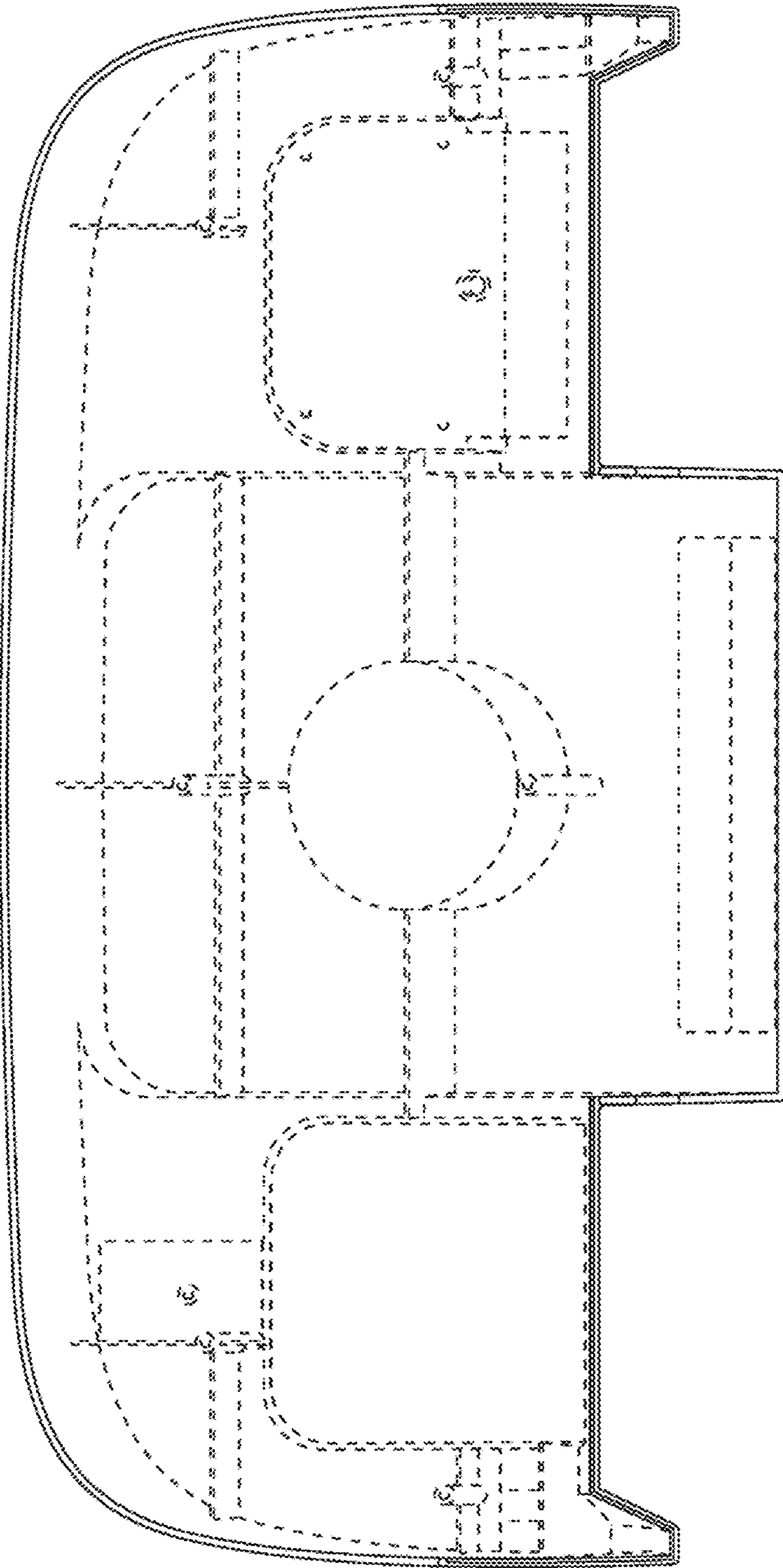


FIG. 6



**FIG. 7**