

US00D912582S

(12) **United States Design Patent**
Lindholm

(10) **Patent No.:** **US D912,582 S**
(45) **Date of Patent:** **** Mar. 9, 2021**

- (54) **FRONT FORK**
- (71) Applicant: **Trike Shop of Minnesota, Inc.**, Gem Lake, MN (US)
- (72) Inventor: **Douglas A. Lindholm**, Lake Elmo, MN (US)
- (73) Assignee: **TRIKE SHOP OF MINNESOTA, INC.**, Gem Lake, MN (US)
- (**) Term: **15 Years**
- (21) Appl. No.: **29/668,405**
- (22) Filed: **Oct. 30, 2018**
- (51) **LOC (13) Cl.** **12-11**
- (52) **U.S. Cl.**
USPC **D12/118**
- (58) **Field of Classification Search**
USPC D12/111, 117, 118
CPC B62K 21/02; B62K 21/18; B62K 25/02
See application file for complete search history.

D464,003 S *	10/2002	Chen	D12/118
D470,440 S *	2/2003	Rose	D12/118
6,517,095 B1	2/2003	Lansac et al.		
D494,108 S *	8/2004	Liao	D12/118
D506,708 S *	6/2005	Conte	D12/118
6,916,033 B2 *	7/2005	Yih	B62K 21/20 280/276
D514,477 S *	2/2006	Doll	D12/118
D521,420 S *	5/2006	Cobb	D12/118
D542,718 S *	5/2007	Costa	D12/118
7,591,474 B1 *	9/2009	French	B62K 21/18 280/279
D675,132 S *	1/2013	Colp	D12/118
D774,986 S *	12/2016	Salvioli Mariani	D12/118
9,598,137 B2 *	3/2017	Tsai	B62K 3/02
9,688,344 B2	6/2017	Rae		
9,981,713 B2 *	5/2018	Tsai	F16F 9/0245
D860,061 S *	9/2019	Weagle	D12/118
D902,086 S *	11/2020	Tan	D12/118
2004/0026890 A1 *	2/2004	Cobb	B62K 21/02 280/276

(Continued)

Primary Examiner — Darlington Ly
(74) *Attorney, Agent, or Firm* — Peter J. Ims; Westman, Champlin & Koehler, P.A.

(56) **References Cited**

U.S. PATENT DOCUMENTS

D278,044 S *	3/1985	Ohba	D12/118
4,662,645 A *	5/1987	McMurtrey	B62K 21/02 280/279
D295,844 S *	5/1988	Levine	D12/118
D317,736 S *	6/1991	Kastan	D12/118
D340,434 S *	10/1993	Hammer	D12/118
D344,253 S *	2/1994	Bishop	D12/118
D368,054 S *	3/1996	Behrens	D12/118
D372,214 S *	7/1996	Vaillancourt	D12/118
D401,537 S *	11/1998	Turner	D12/118
D411,147 S *	6/1999	Tsai	D12/118
D414,141 S *	9/1999	Tsai	D12/118
D415,449 S *	10/1999	Tsai	D12/118
D427,947 S *	7/2000	Carpinelli	D12/118
6,352,276 B1 *	3/2002	Hill	B62K 21/02 280/279

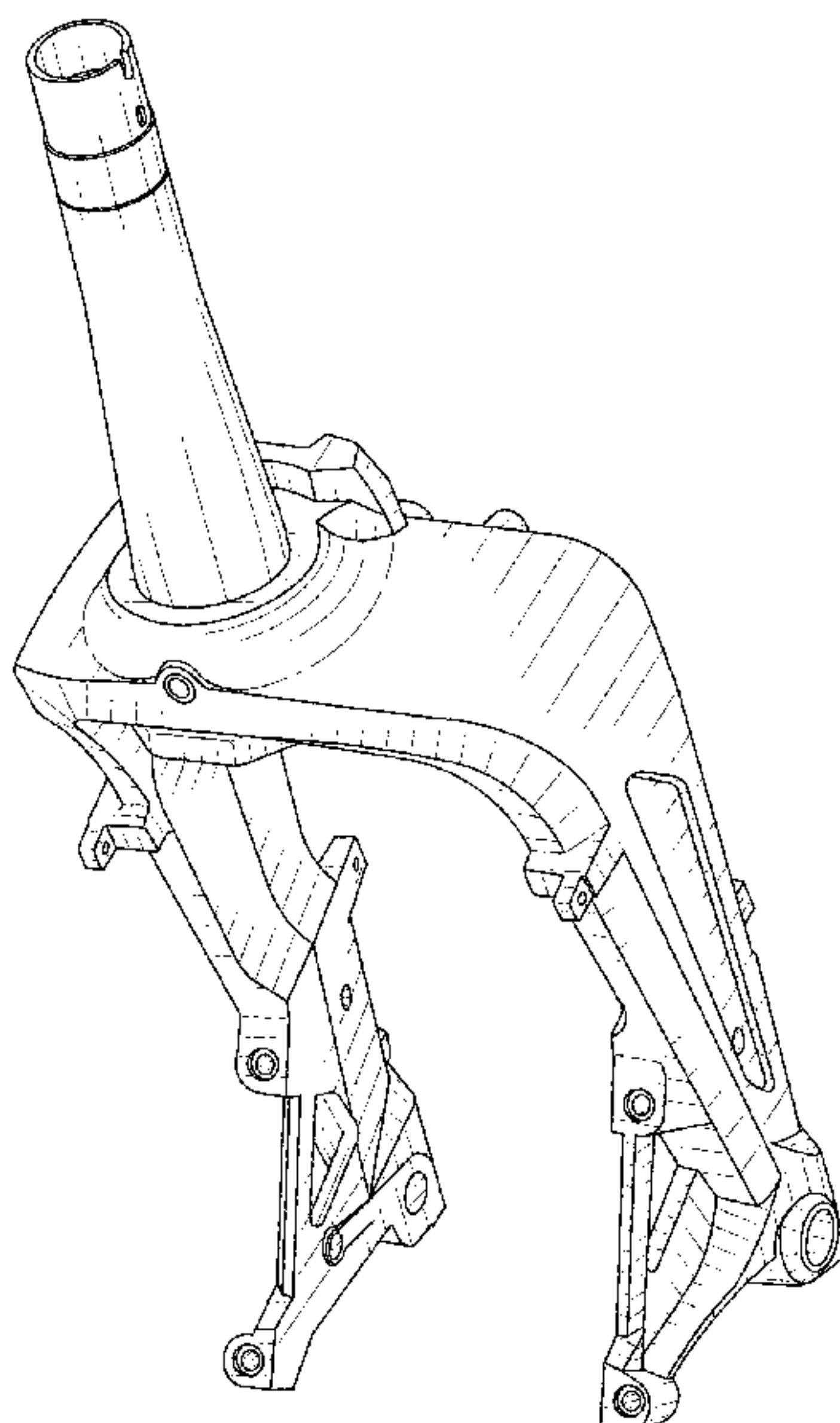
(57) **CLAIM**

The ornamental design for a front fork, as shown and described.

DESCRIPTION

FIG. 1 top, rear, and right side perspective view of a front fork embodying my new design;
FIG. 2 is a front elevation view thereof;
FIG. 3 is a rear elevation view thereof;
FIG. 4 is a right side elevation view thereof;
FIG. 5 is a left side elevation view thereof;
FIG. 6 is a top plan view thereof; and,
FIG. 7 is a bottom plan view thereof.

1 Claim, 5 Drawing Sheets



(56)

References Cited

U.S. PATENT DOCUMENTS

2007/0257466 A1* 11/2007 Murphy B62K 21/02
280/276
2011/0316249 A1* 12/2011 Thoma B62K 25/02
280/279
2015/0274250 A1 10/2015 Kuwabara et al.
2019/0127012 A1 5/2019 Lindholm

* cited by examiner

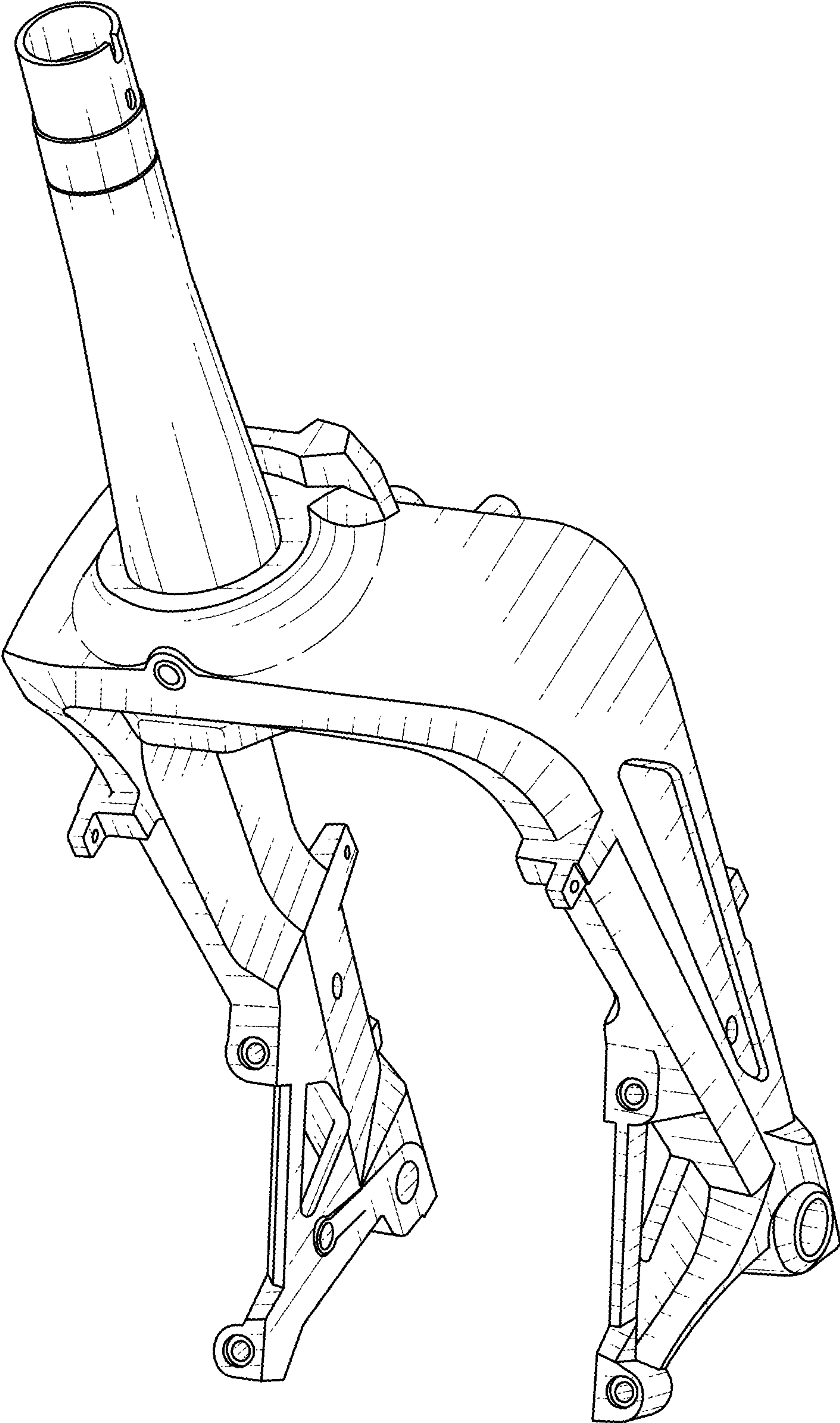


FIG. 1

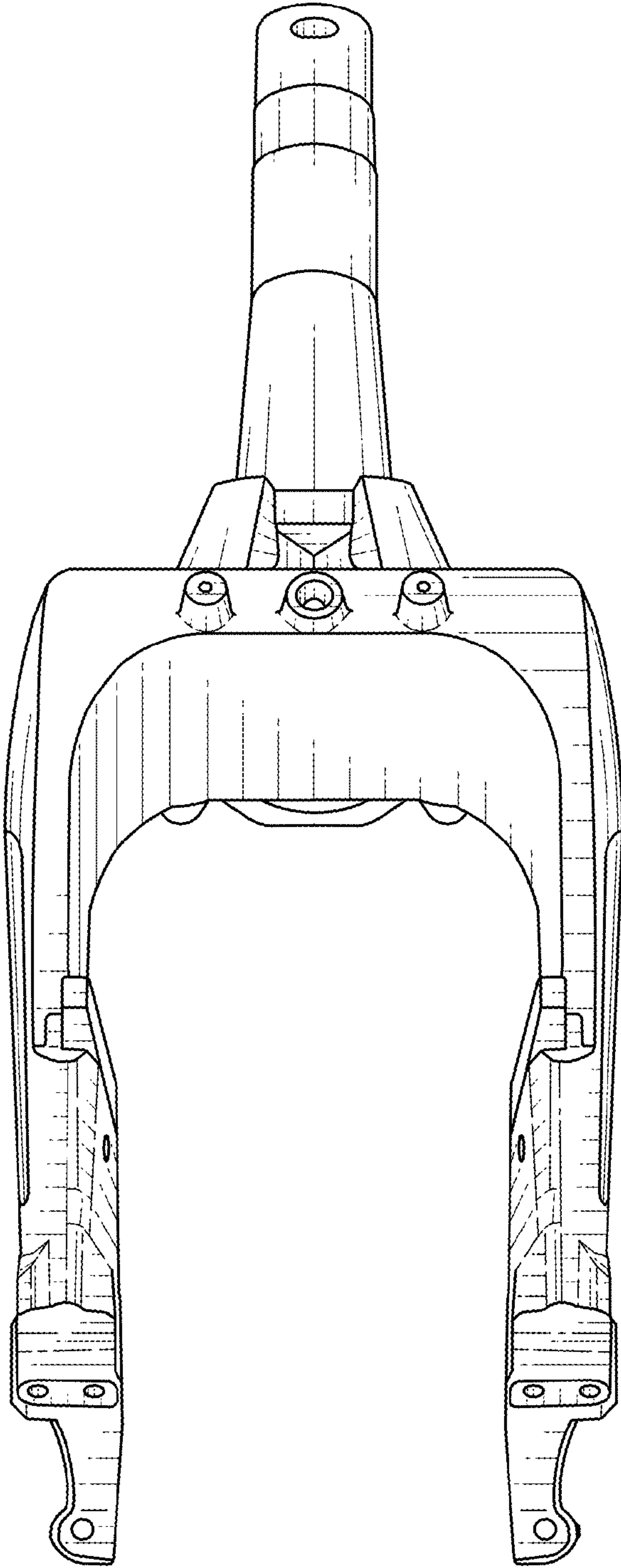


FIG. 2

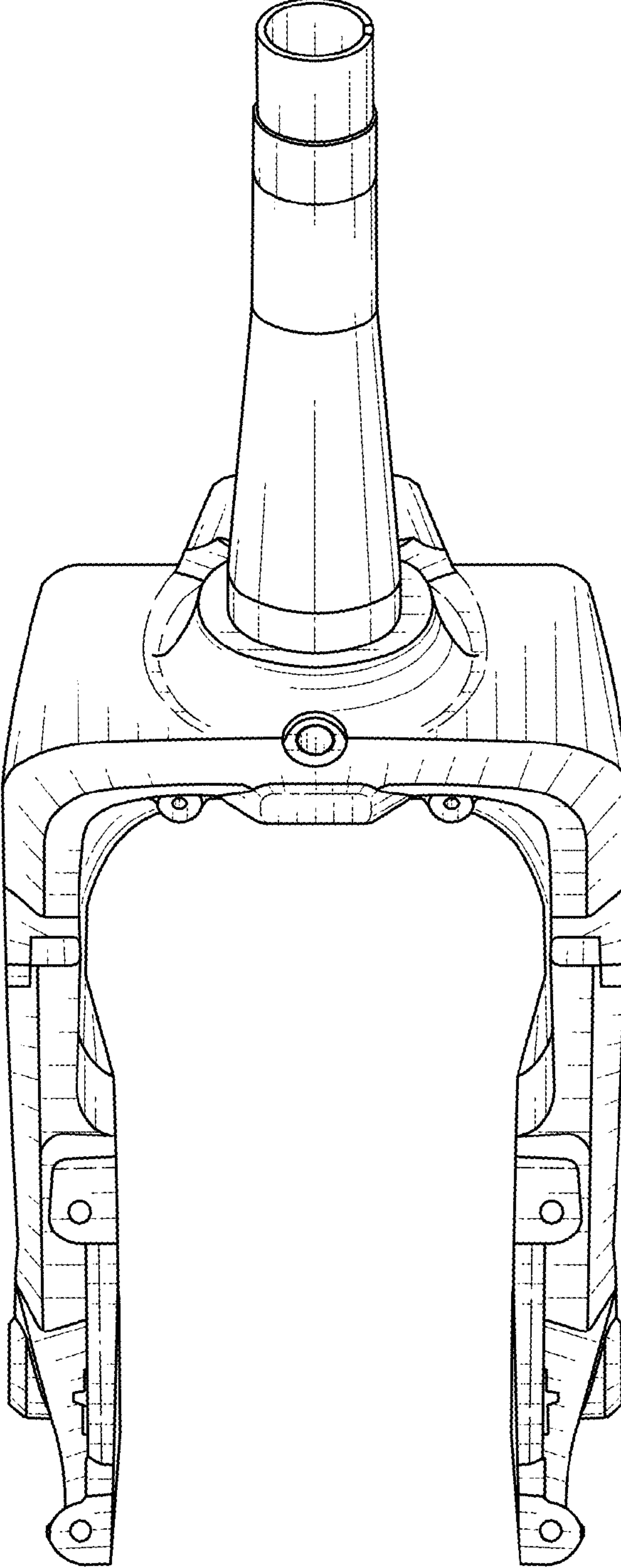


FIG. 3

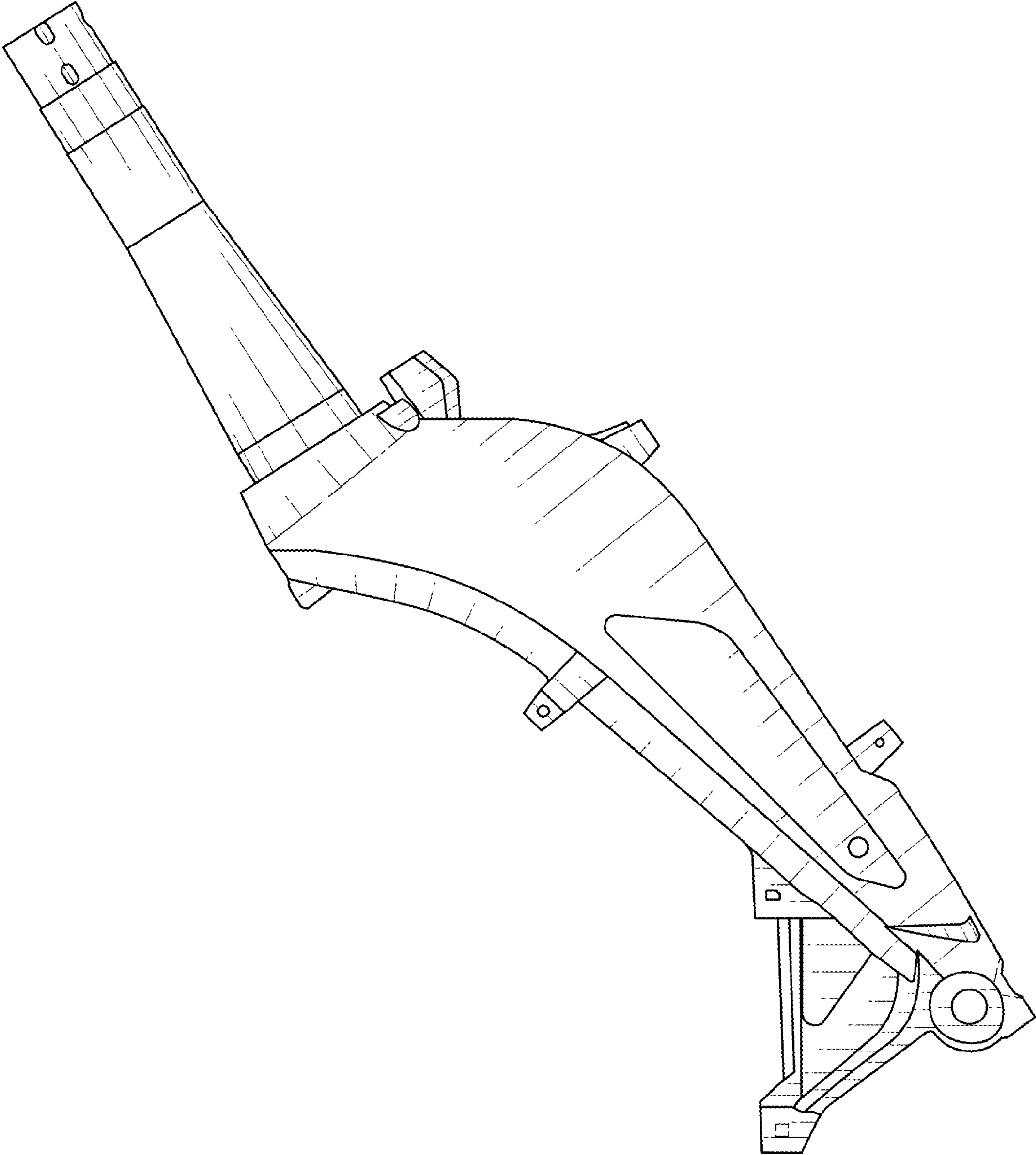


FIG. 4

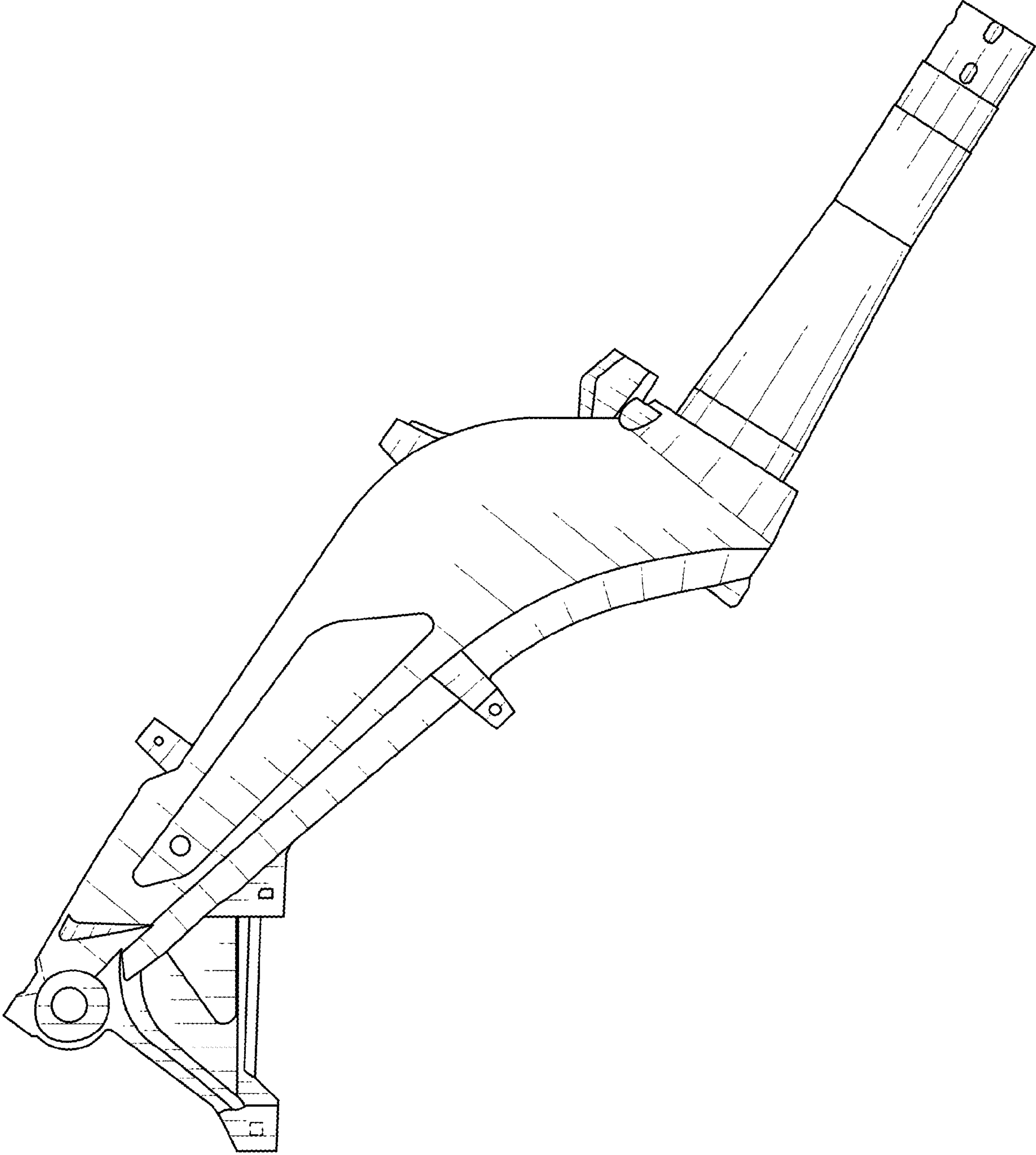


FIG. 5

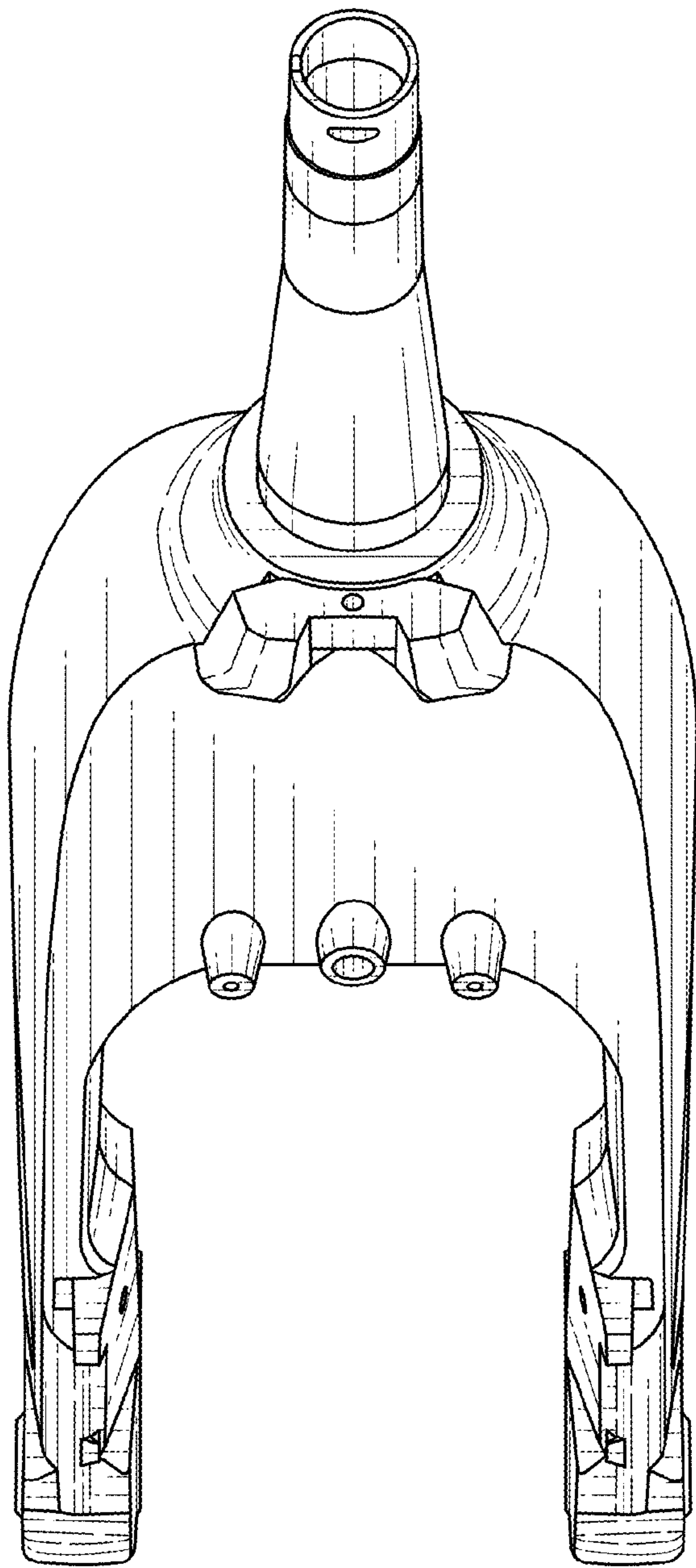


FIG. 6

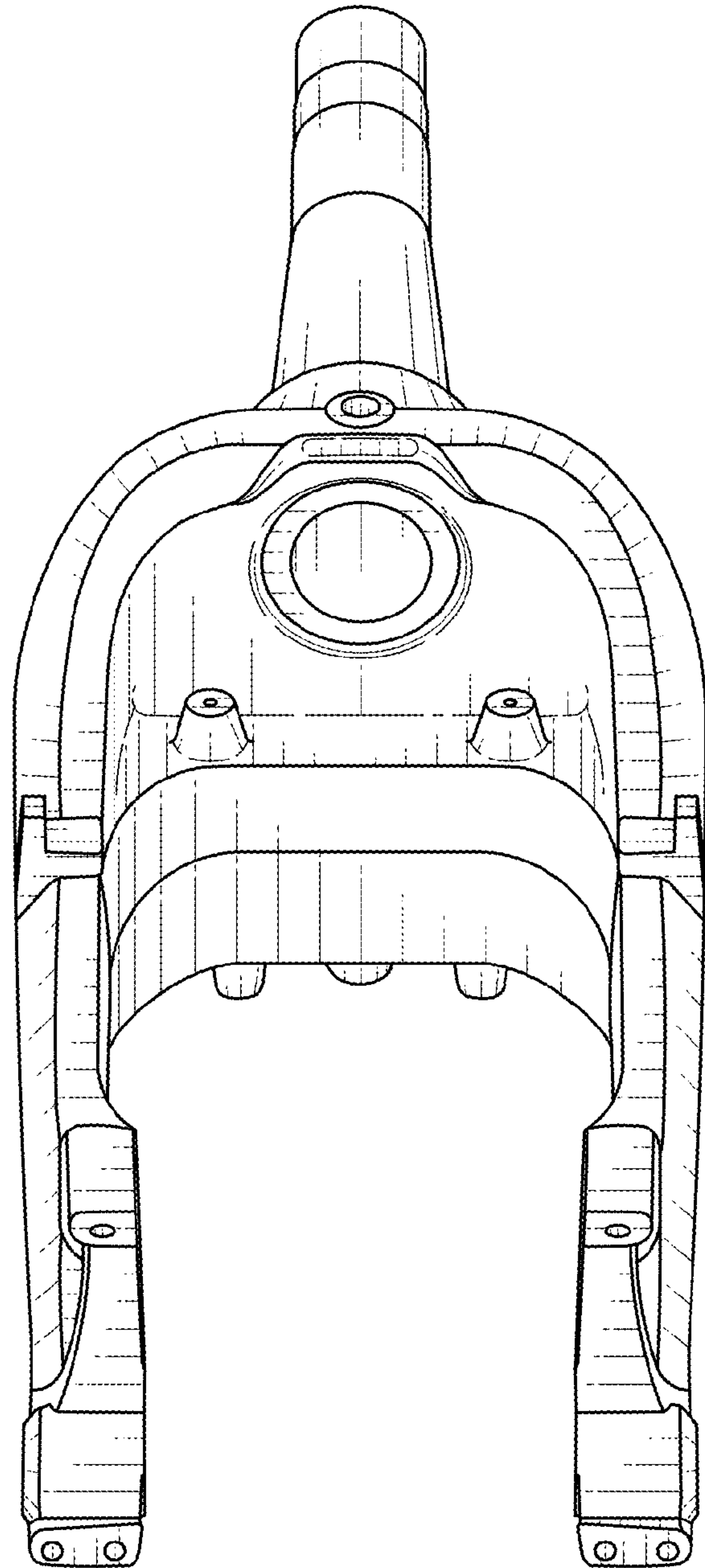


FIG. 7