



US00D912581S

(12) **United States Design Patent** (10) **Patent No.:** **US D912,581 S**
Lugton (45) **Date of Patent:** **** Mar. 9, 2021**

(54) **BICYCLE STAND**

(71) Applicant: **Geoffrey Allan Ward**, Ascot Vale (AU)

(72) Inventor: **David Lugton**, Pascoe Vale South (AU)

(73) Assignee: **Geoffrey Allan Ward**, Ascot Vale (AU)

(**) Term: **15 Years**

(21) Appl. No.: **29/686,461**

(22) Filed: **Apr. 4, 2019**

(30) **Foreign Application Priority Data**

Feb. 21, 2019 (AU) 201910909

(51) **LOC (13) Cl.** **08-10**

(52) **U.S. Cl.**
USPC **D12/115**

(58) **Field of Classification Search**
USPC D12/115, 120, 402, 406, 407
CPC ... B62H 3/00; B62H 3/04; B62H 3/08; B62H
3/10; B60R 9/06; B60R 9/10; A47F 7/04
See application file for complete search history.

(56) **References Cited**

U.S. PATENT DOCUMENTS

3,116,836	A *	1/1964	McCauley	B62H 3/08
					211/21
D260,248	S *	8/1981	Gallagher	D12/115
D263,945	S *	4/1982	Voegeli	D12/115
D264,325	S *	5/1982	Griswold	D12/115
D278,616	S *	4/1985	Collison	D12/115
4,856,659	A *	8/1989	Krebs	A47F 7/04
					211/24
5,246,120	A *	9/1993	Walker	B62H 3/12
					211/19
D372,691	S *	8/1996	Eason	D12/115
D456,316	S *	4/2002	Will	D12/115

(Continued)

Primary Examiner — Michelle E. Wilson

Assistant Examiner — Clese Moore, Jr.

(74) *Attorney, Agent, or Firm* — McCoy Russell LLP

(57) **CLAIM**

The ornamental design for a bicycle stand, as shown and described.

DESCRIPTION

FIG. 1 is a rear view of a bicycle stand according to the present disclosure, with the base shown in environment.

FIG. 2 is a right side view of the bicycle stand.

FIG. 3 is a front view of the bicycle stand.

FIG. 4 is a left side view of the bicycle stand.

FIG. 5 is a top view of the bicycle stand.

FIG. 6 is a bottom view of the bicycle stand.

FIG. 7 is a top-front-left perspective view of the bicycle stand, where the arm is in an extended configuration.

FIG. 8 is a top-front-left perspective view of the bicycle stand, where the arm is in a stowed configuration.

FIG. 9 is a bottom-left-rear perspective view of the bicycle stand with the base removed and the arm in the stowed configuration.

FIG. 10 is a cross-sectional view taken along line 10-10 in FIG. 5; and,

FIG. 11 is a cross-sectional view taken along line 11-11 in FIG. 5.

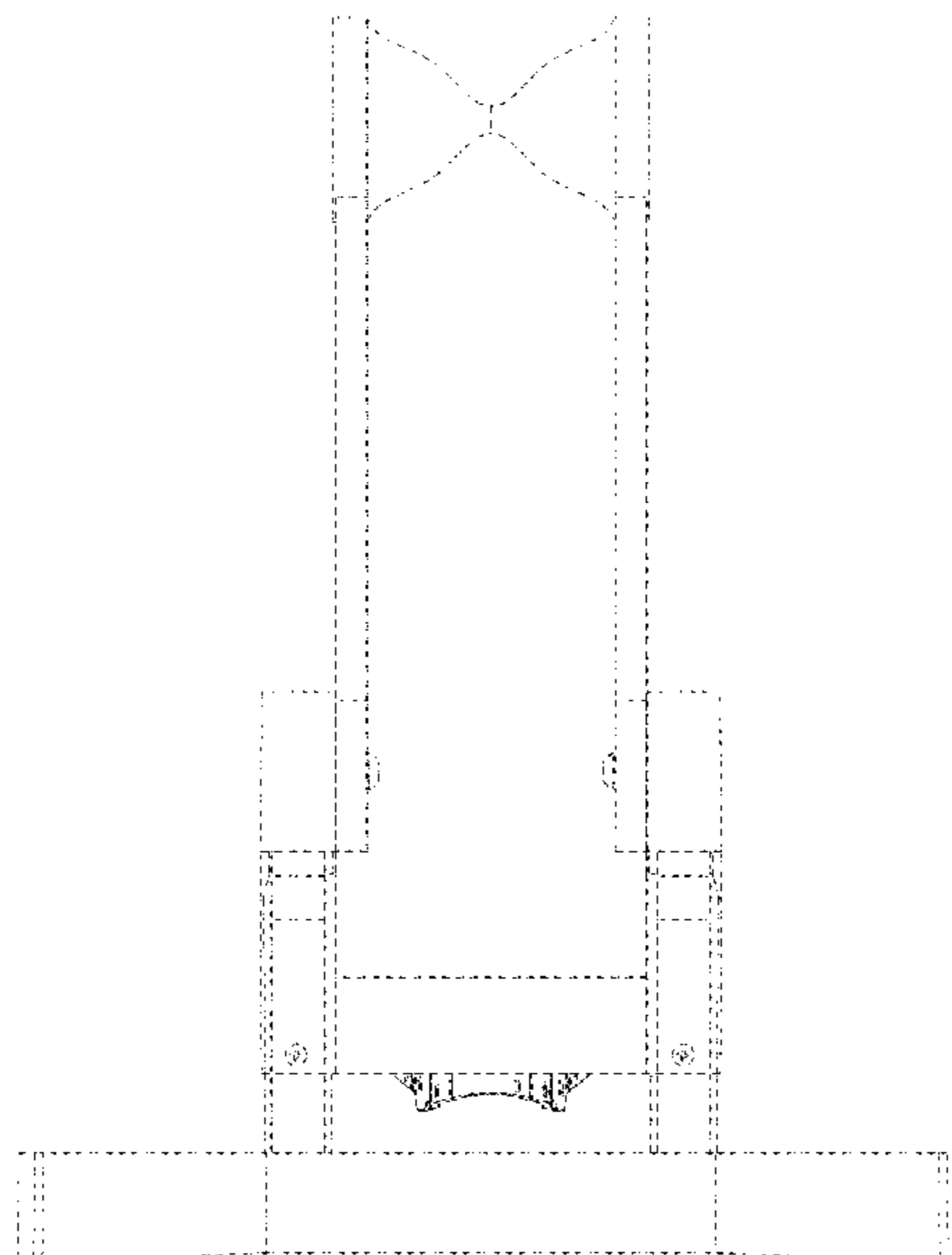
The dash-dash broken lines in FIGS. 1-11 illustrate portions of the bicycle stand and environmental subject matter that form no part of the claimed design.

The dash-dot-dash broken lines in FIG. 5 form no part of the claimed design.

The oblique solid line hatch shading in FIGS. 10-11 illustrates interior structure of the bicycle stand.

The oblique broken line hatch shading in FIGS. 10-11 illustrates interior structure that forms no part of the claimed design.

1 Claim, 11 Drawing Sheets



(56)

References Cited

U.S. PATENT DOCUMENTS

6,581,785	B1 *	6/2003	Falkenstein	A47F 7/04 211/24
6,595,480	B1 *	7/2003	Orlick	A63B 71/0036 248/346.01
6,755,309	B1 *	6/2004	Runge	B62H 3/04 211/183
D502,127	S *	2/2005	Pappas	B62H 3/10 D12/115
D605,092	S *	12/2009	Van Buuren	D12/115
D610,048	S *	2/2010	Sladick	D12/115
D669,398	S *	10/2012	Parkins	D12/115
D688,166	S *	8/2013	Kedar	D12/115
D761,701	S *	7/2016	Jobe	D12/115
D766,138	S *	9/2016	Arbour	D12/115
9,610,993	B1 *	4/2017	Ho	B62H 3/06
D820,168	S *	6/2018	Peruzzo	D12/115
D825,396	S *	8/2018	van Straaten	D12/115
2011/0220594	A1 *	9/2011	Chuang	B62H 3/00 211/22
2013/0092645	A1 *	4/2013	Kedar	B62H 3/04 211/85.1
2013/0146484	A1 *	6/2013	Parkins	B62H 3/08 206/216
2013/0270201	A1 *	10/2013	Vineyard	B62H 3/06 211/21

* cited by examiner

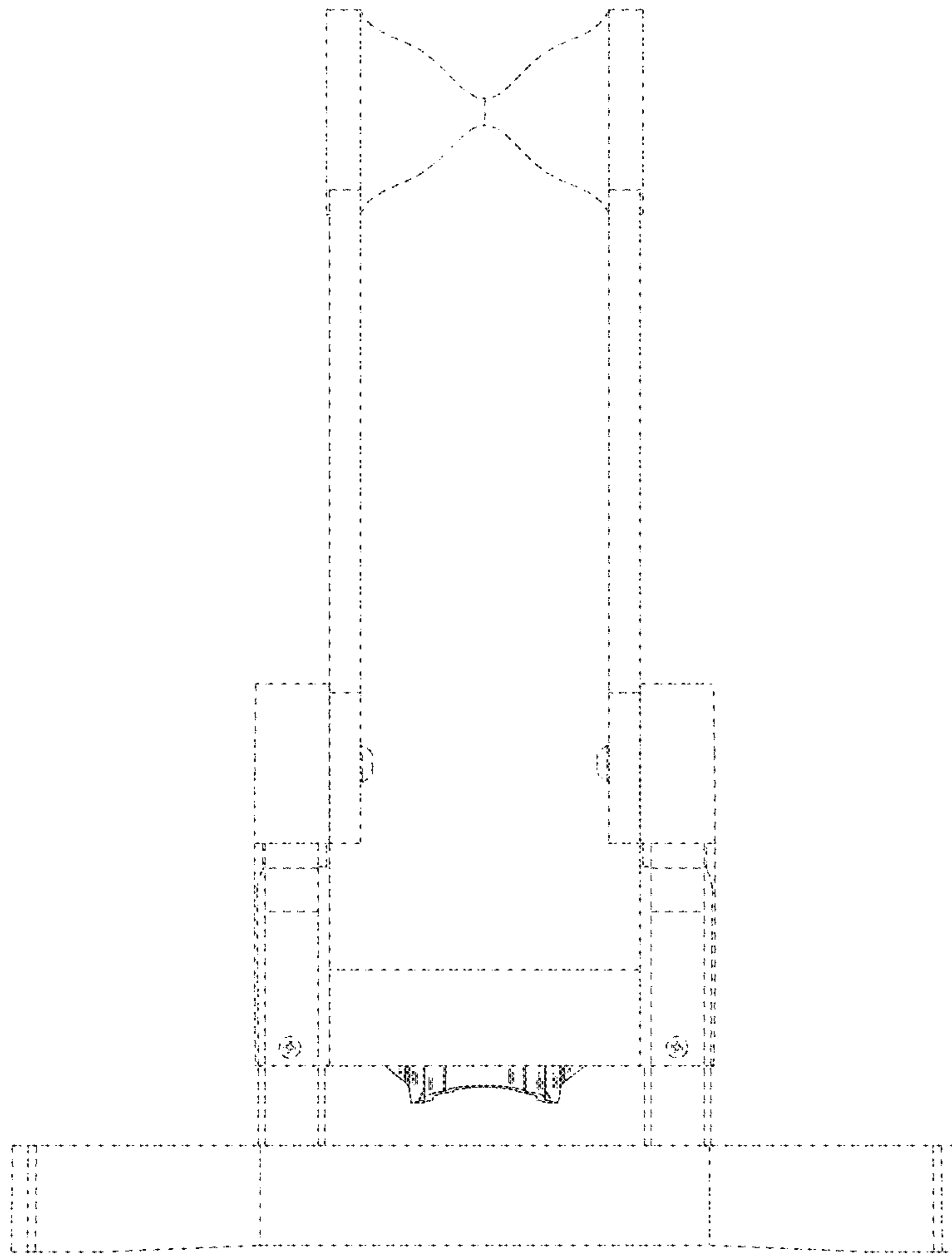


Fig. 1

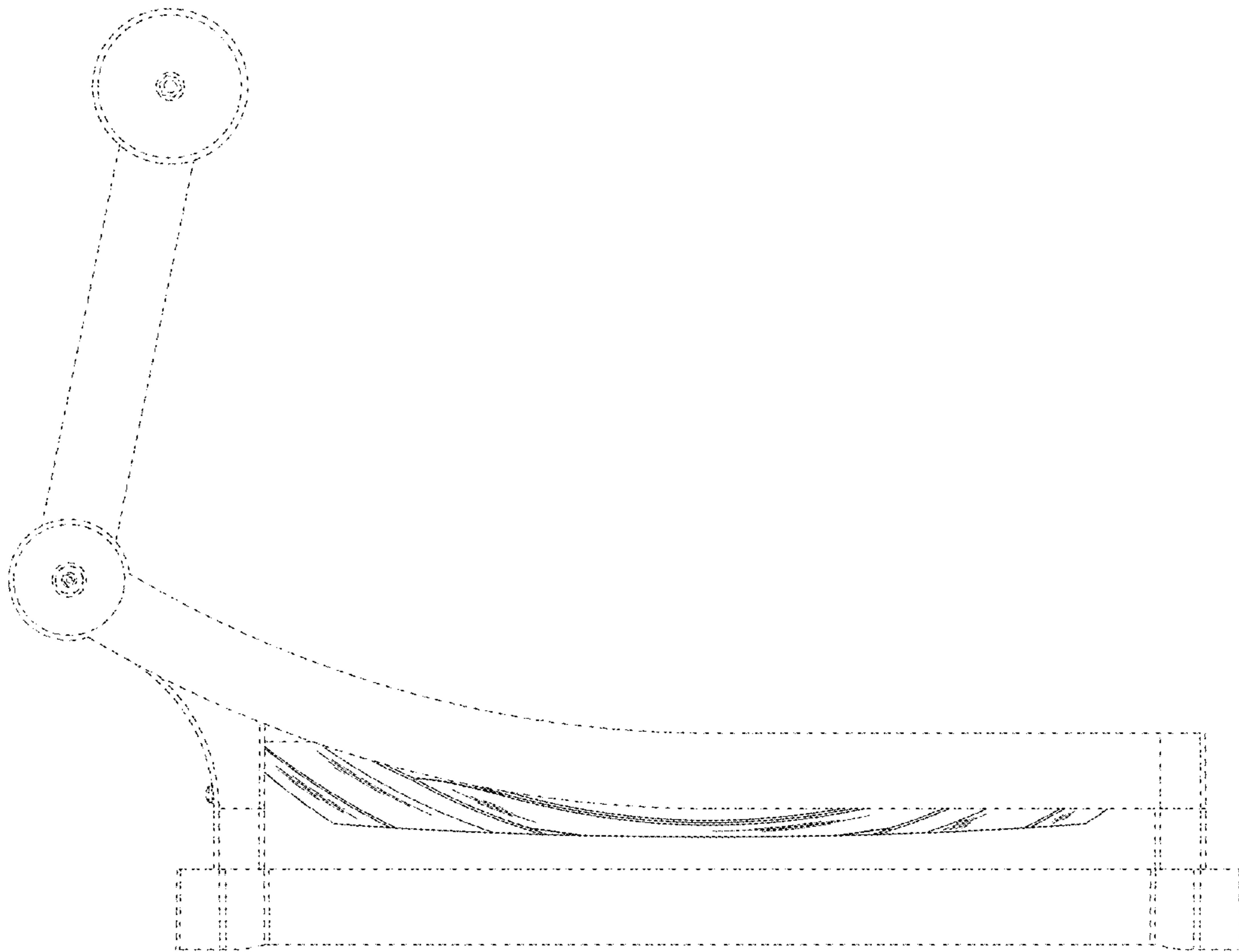


Fig. 2

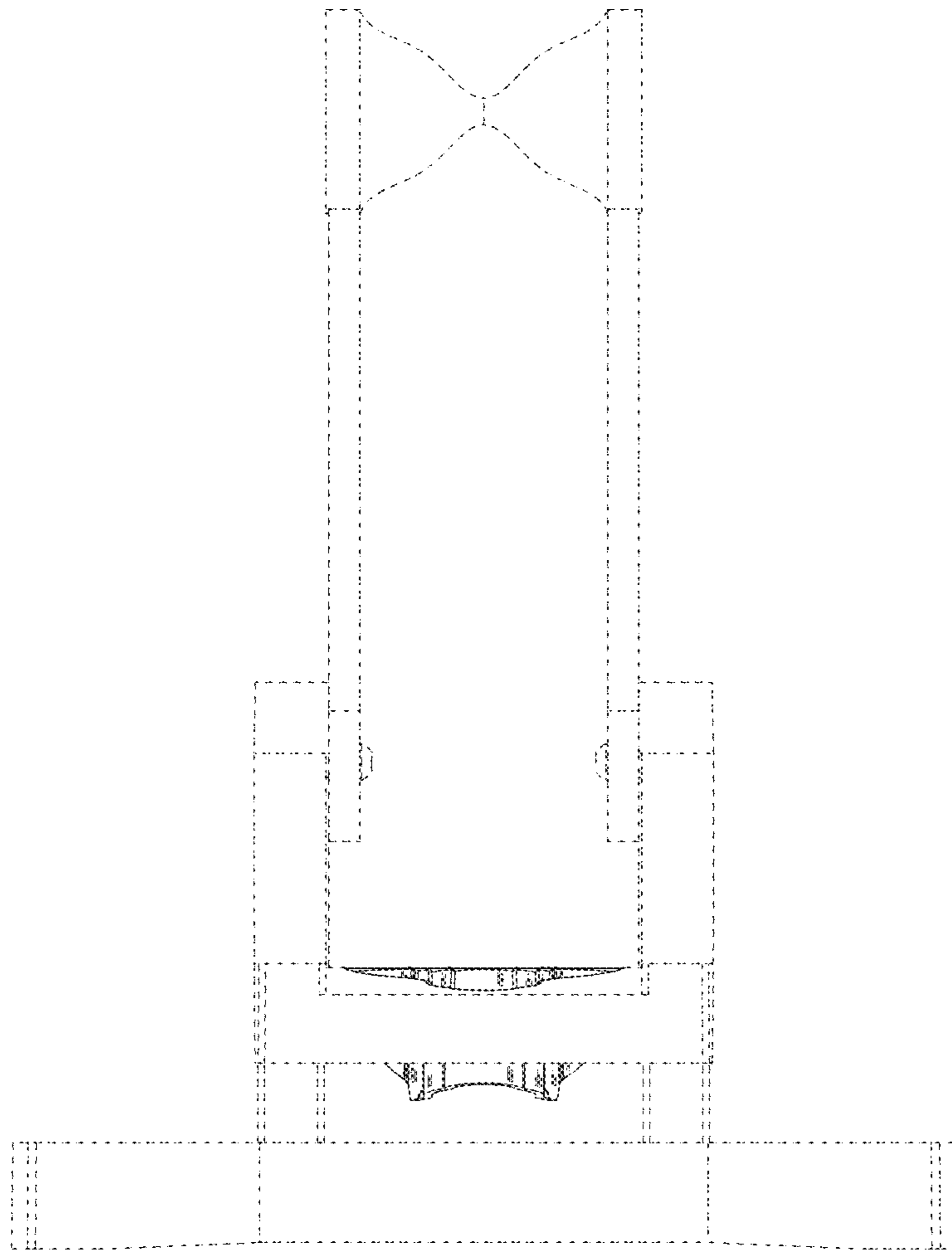


Fig. 3

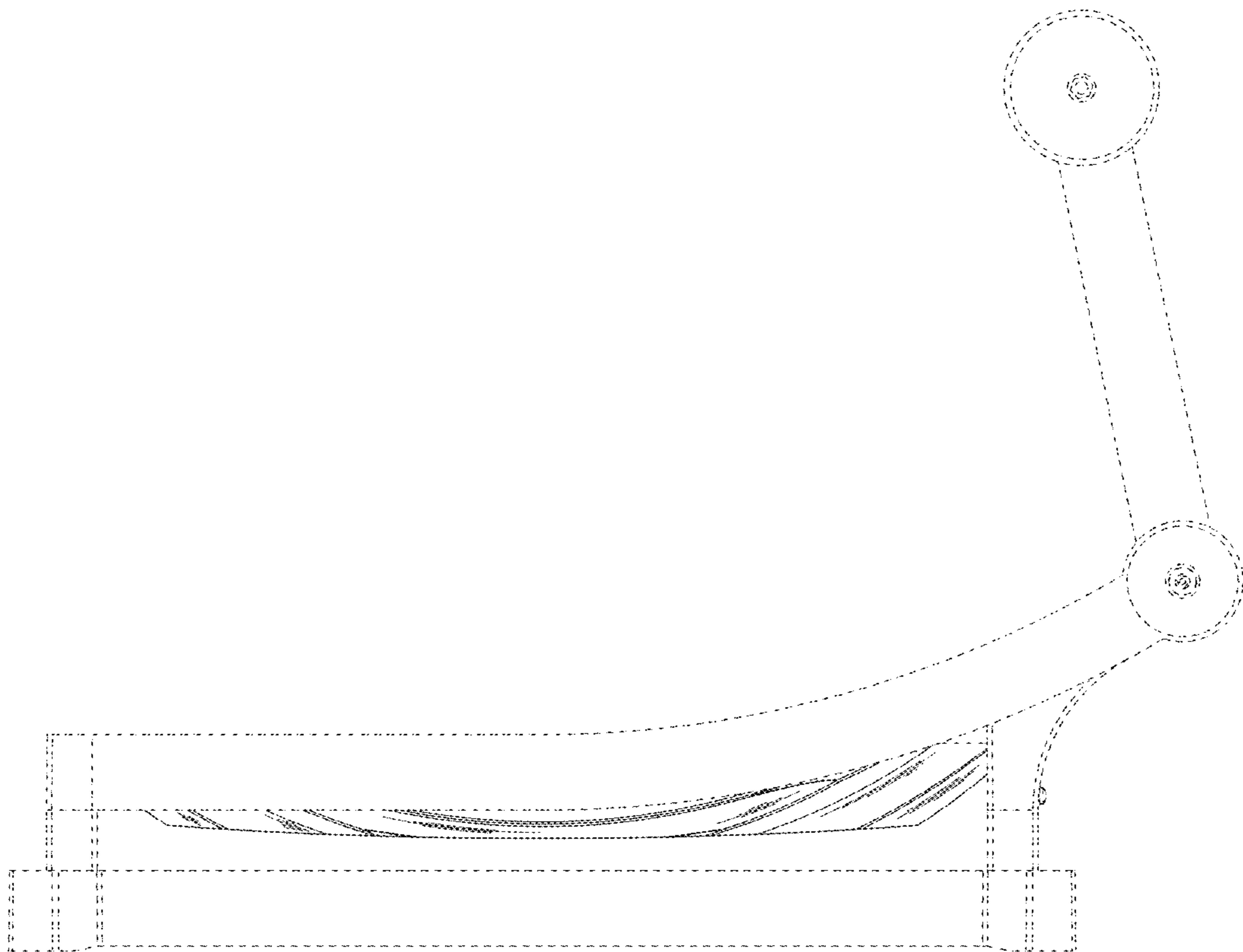


Fig. 4

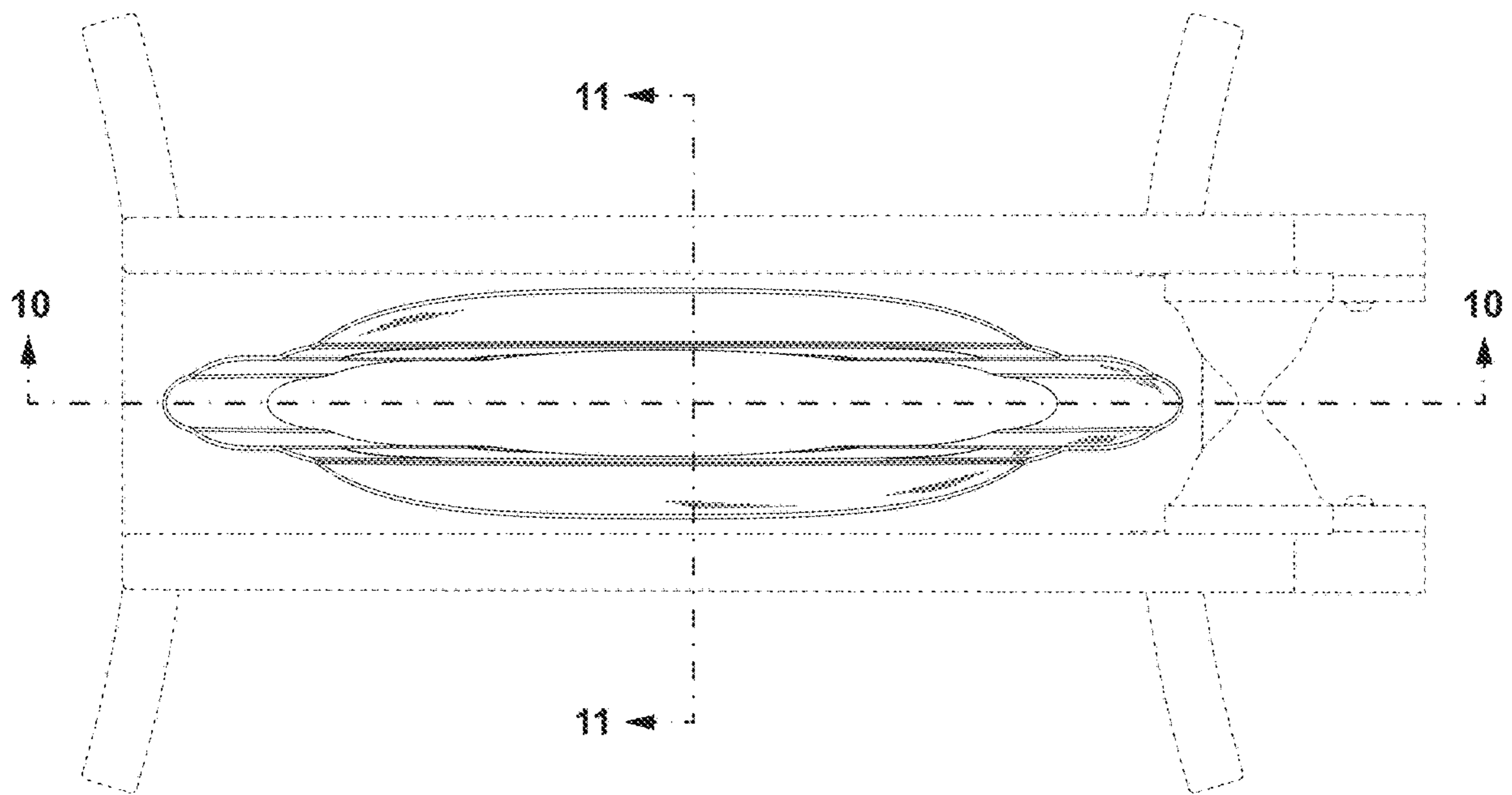


Fig. 5

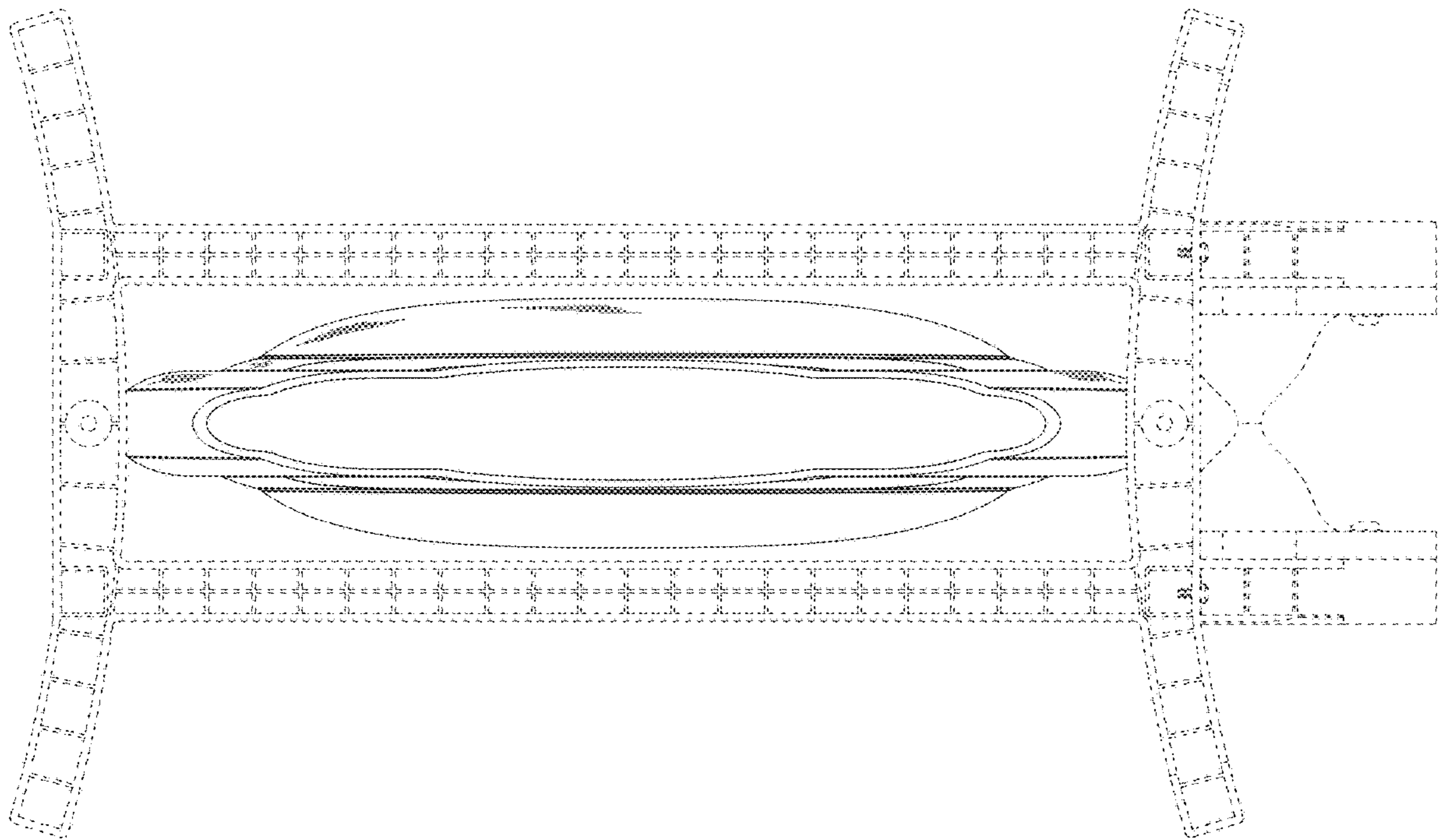


Fig. 6

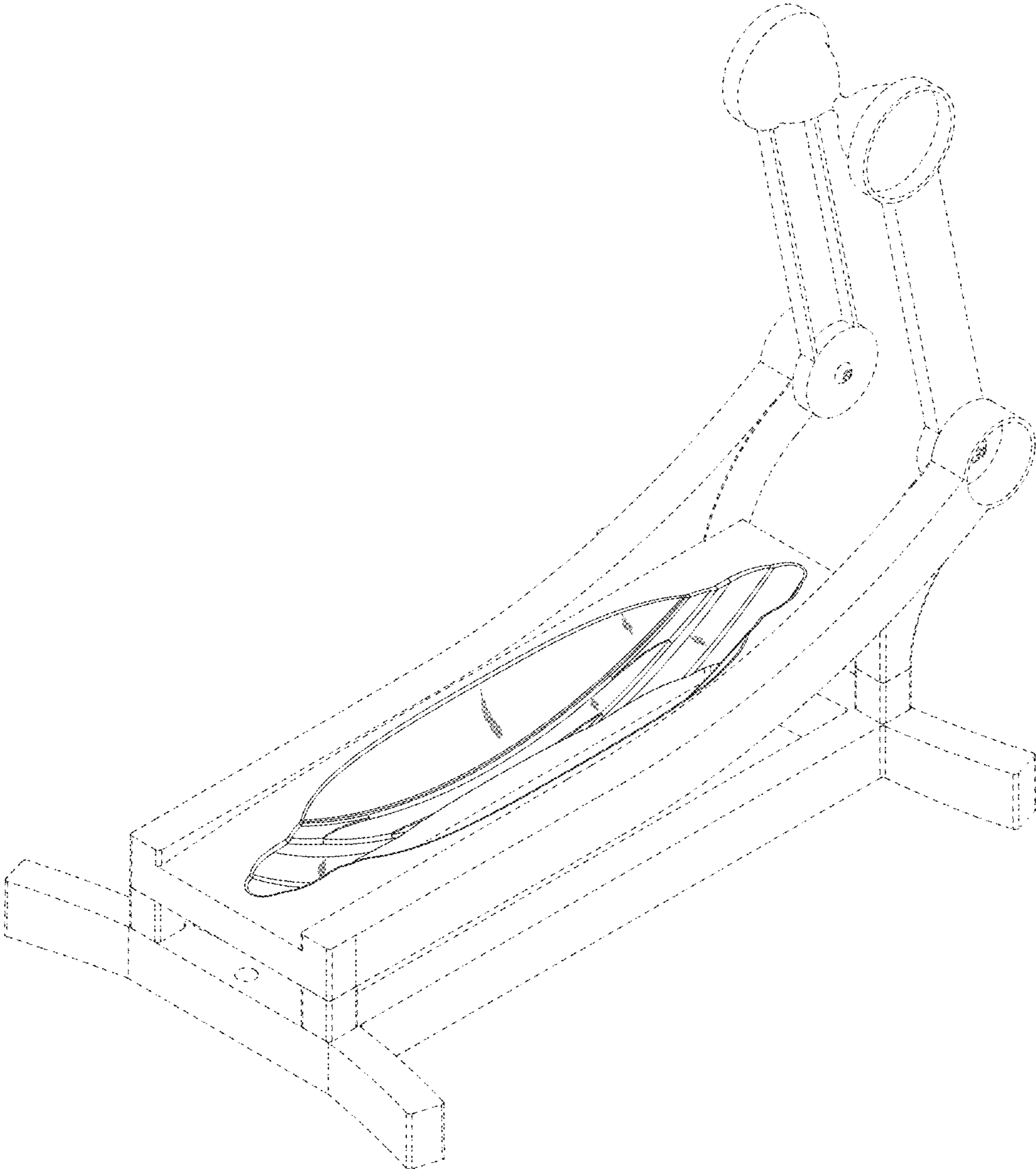


Fig. 7

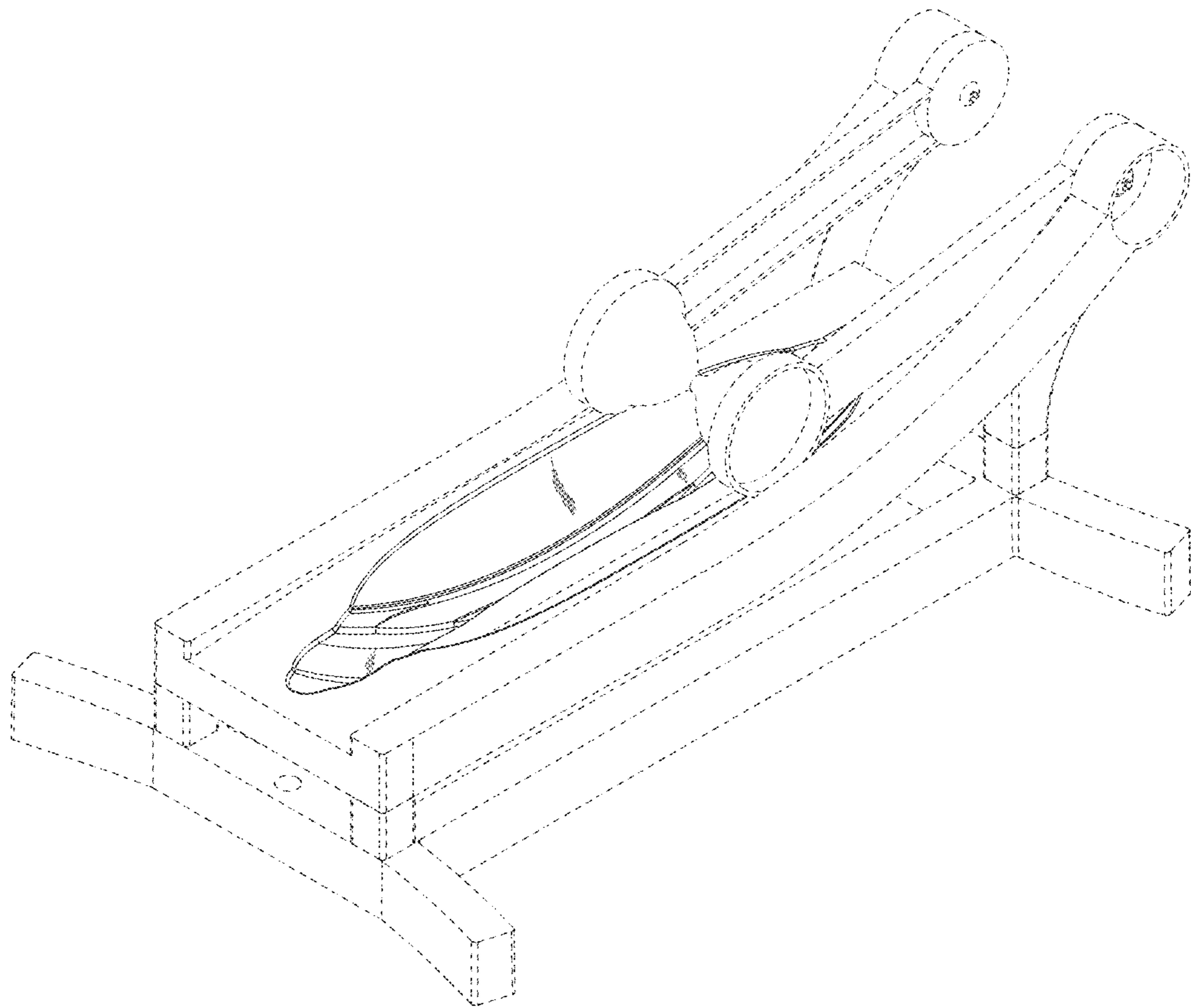


Fig. 8

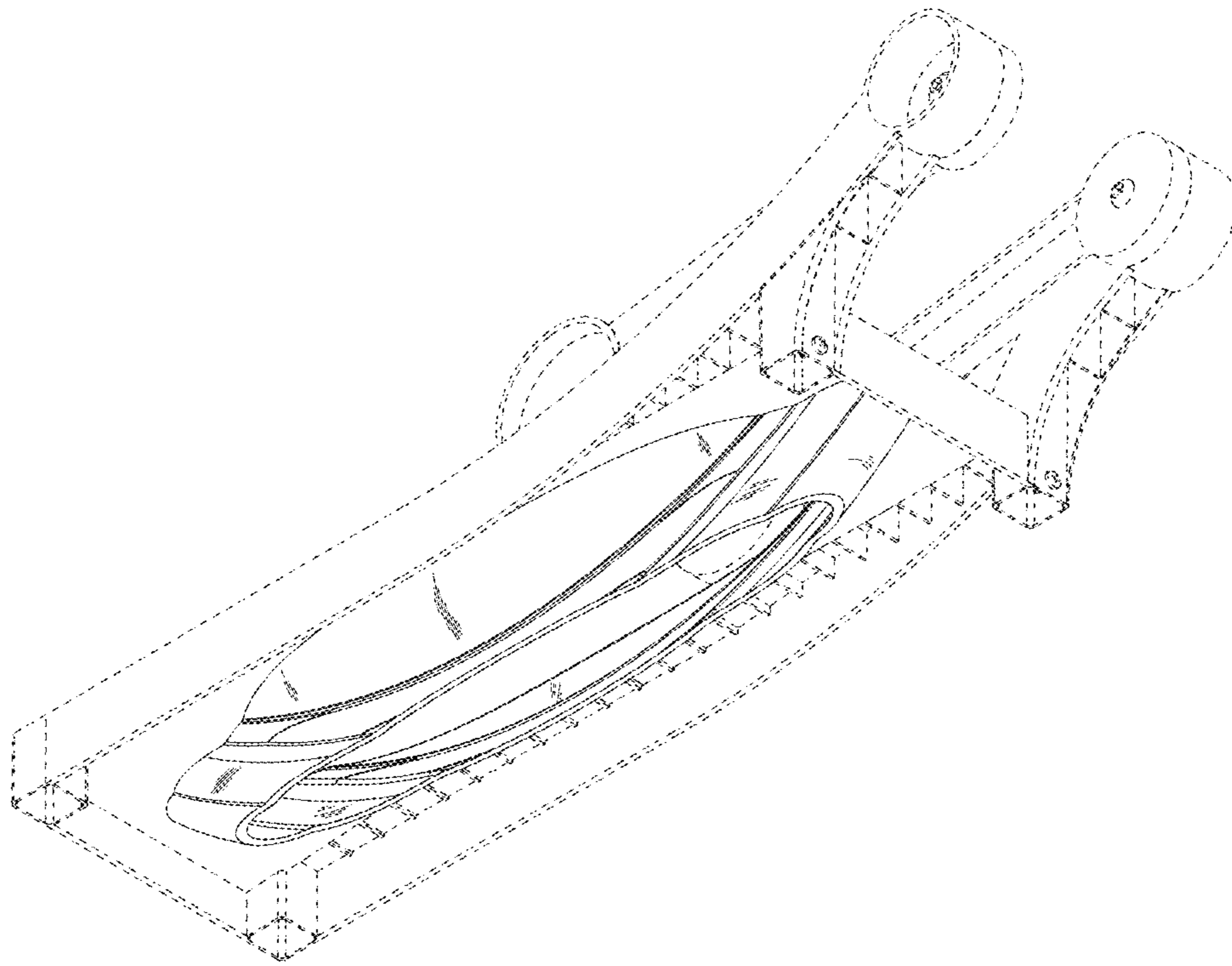


Fig. 9

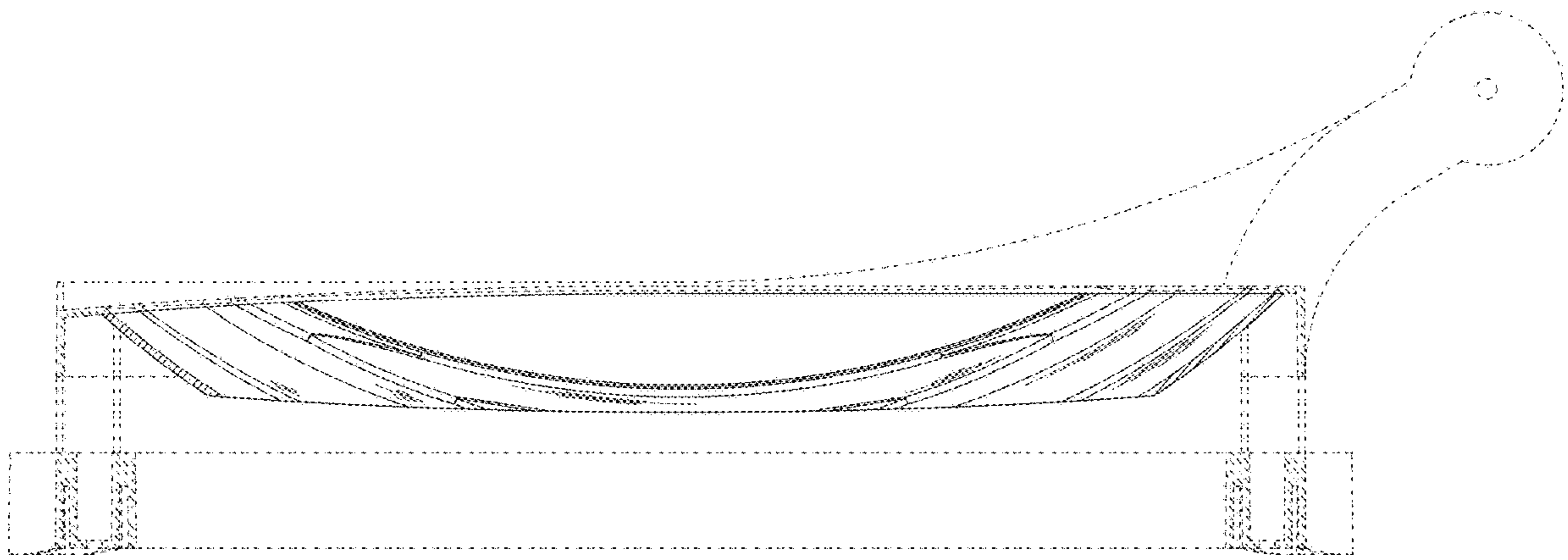


Fig. 10

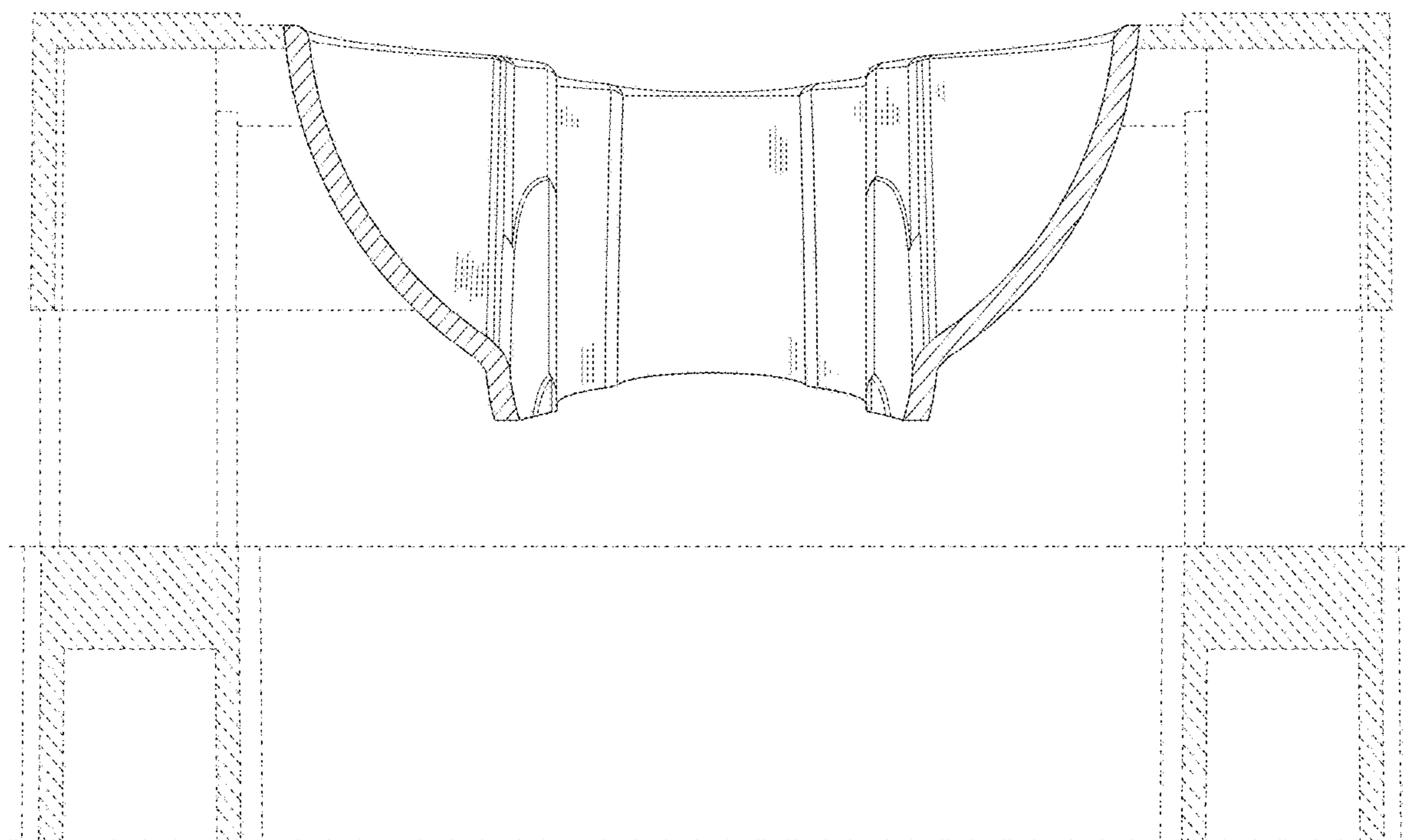


Fig. 11