



US00D912579S

(12) **United States Design Patent**
Dionisopoulos et al.

(10) **Patent No.:** **US D912,579 S**

(45) **Date of Patent:** **** Mar. 9, 2021**

(54) **AUTOMOBILE EXTERIOR BODY**

(71) Applicants: **Frank Dionisopoulos**, Grosse Pointe Shores, MI (US); **Nicholas Vardis**, Sylvan Lake, MI (US)

(72) Inventors: **Frank Dionisopoulos**, Grosse Pointe Shores, MI (US); **Nicholas Vardis**, Sylvan Lake, MI (US)

(73) Assignee: **FCA US LLC**, Auburn Hills, MI (US)

(**) Term: **15 Years**

(21) Appl. No.: **29/707,792**

(22) Filed: **Oct. 1, 2019**

(51) **LOC (13) Cl.** **12-08**

(52) **U.S. Cl.**
USPC **D12/98**; D12/91

(58) **Field of Classification Search**
USPC D12/86, 90-92, 98; D21/424, 433, 434;
296/181.1-181.5, 183.1
CPC B62D 25/00; B62D 25/06; B62D 33/00;
B62D 35/00
See application file for complete search history.

(56) **References Cited**

U.S. PATENT DOCUMENTS

D508,441 S	8/2005	Moushegian et al.	
D535,585 S *	1/2007	Moushegian	D12/91
D554,563 S *	11/2007	Moushegian	D12/91
D568,792 S *	5/2008	Moushegian	D12/91
D624,851 S *	10/2010	Feng	D12/91
D801,860 S *	11/2017	Piscitelli	D12/91

D810,626 S *	2/2018	Macey	D12/91
D811,270 S *	2/2018	Zhang	D12/91
D825,385 S *	8/2018	Ma	D12/91
D827,495 S *	9/2018	Piscitelli	D12/91
D827,496 S *	9/2018	Badstuebner	D12/91
D828,223 S *	9/2018	Piscitelli	D12/91
D840,270 S	2/2019	Goodrich et al.	
D840,271 S	2/2019	Goodrich et al.	
D860,864 S	9/2019	Goodrich et al.	
D860,865 S	9/2019	Goodrich et al.	
D860,866 S	9/2019	Goodrich et al.	
D860,867 S	9/2019	Goodrich et al.	
D887,899 S *	6/2020	Langhals	D12/91

* cited by examiner

Primary Examiner — Melody N Brown

(74) *Attorney, Agent, or Firm* — Ralph E. Smith

(57) **CLAIM**

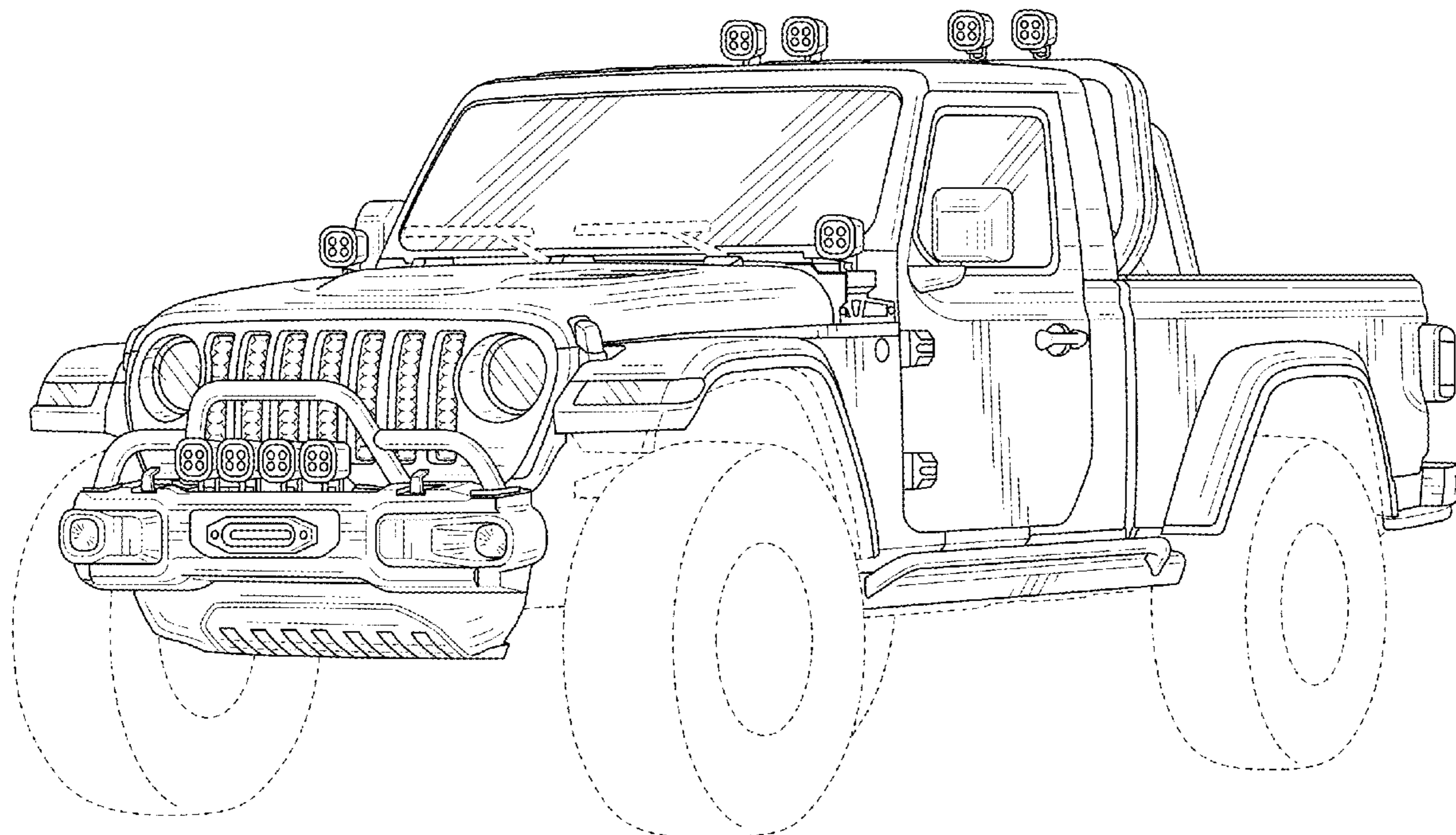
The ornamental design for an automobile exterior body, as shown and described.

DESCRIPTION

FIG. 1 is a front and side perspective view of an automobile exterior body showing our new design;
FIG. 2 is a rear and side perspective view thereof;
FIG. 3 is a front elevational view thereof;
FIG. 4 is a rear elevational view thereof;
FIG. 5 is a left side elevational view thereof;
FIG. 6 is a right side elevational view thereof; and,
FIG. 7 is a top plan view thereof.

It will be understood that the broken lines shown in the drawings illustrate portions of the automobile exterior body that form no part of the claimed design.

1 Claim, 7 Drawing Sheets



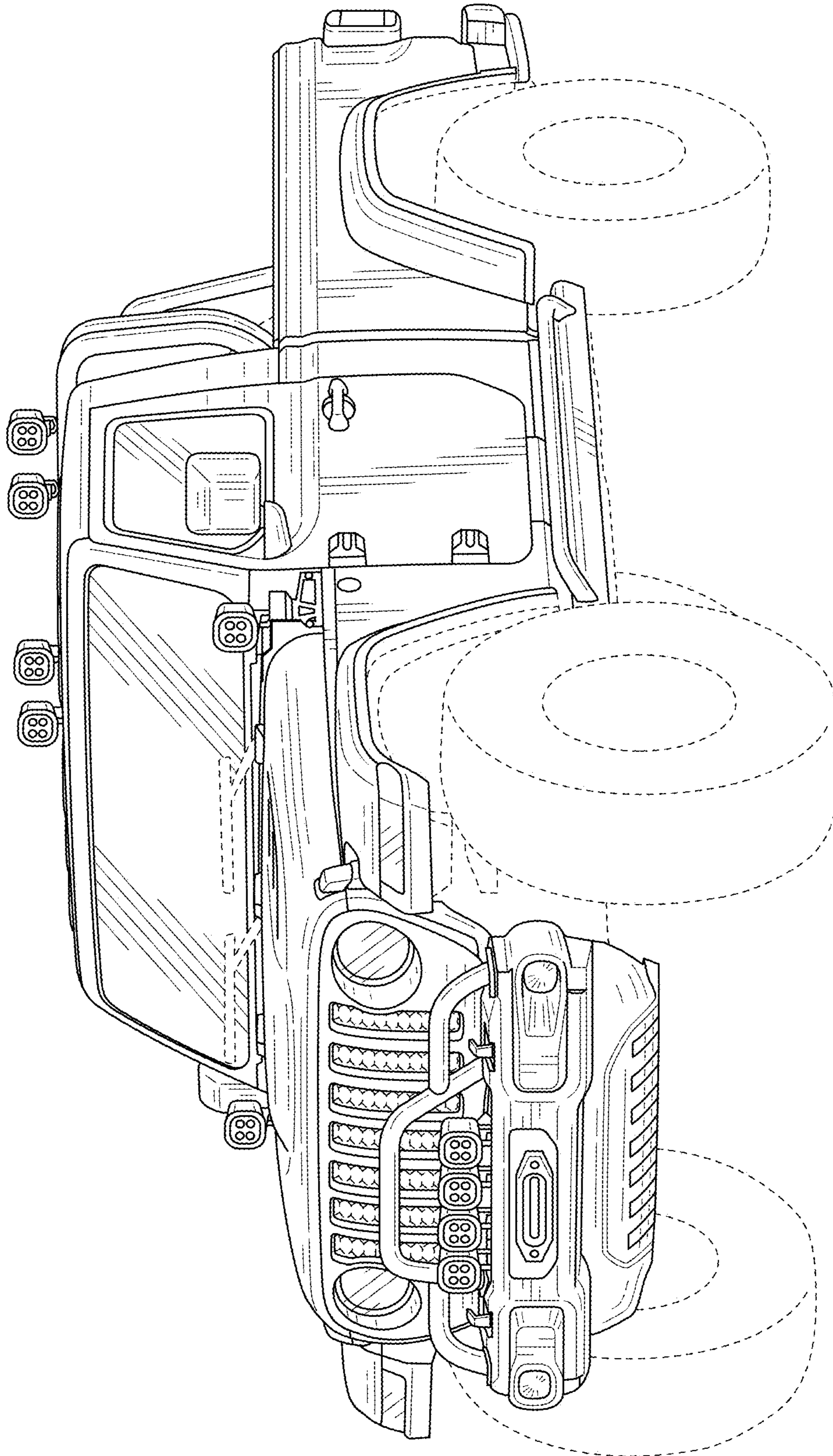


FIG. 1

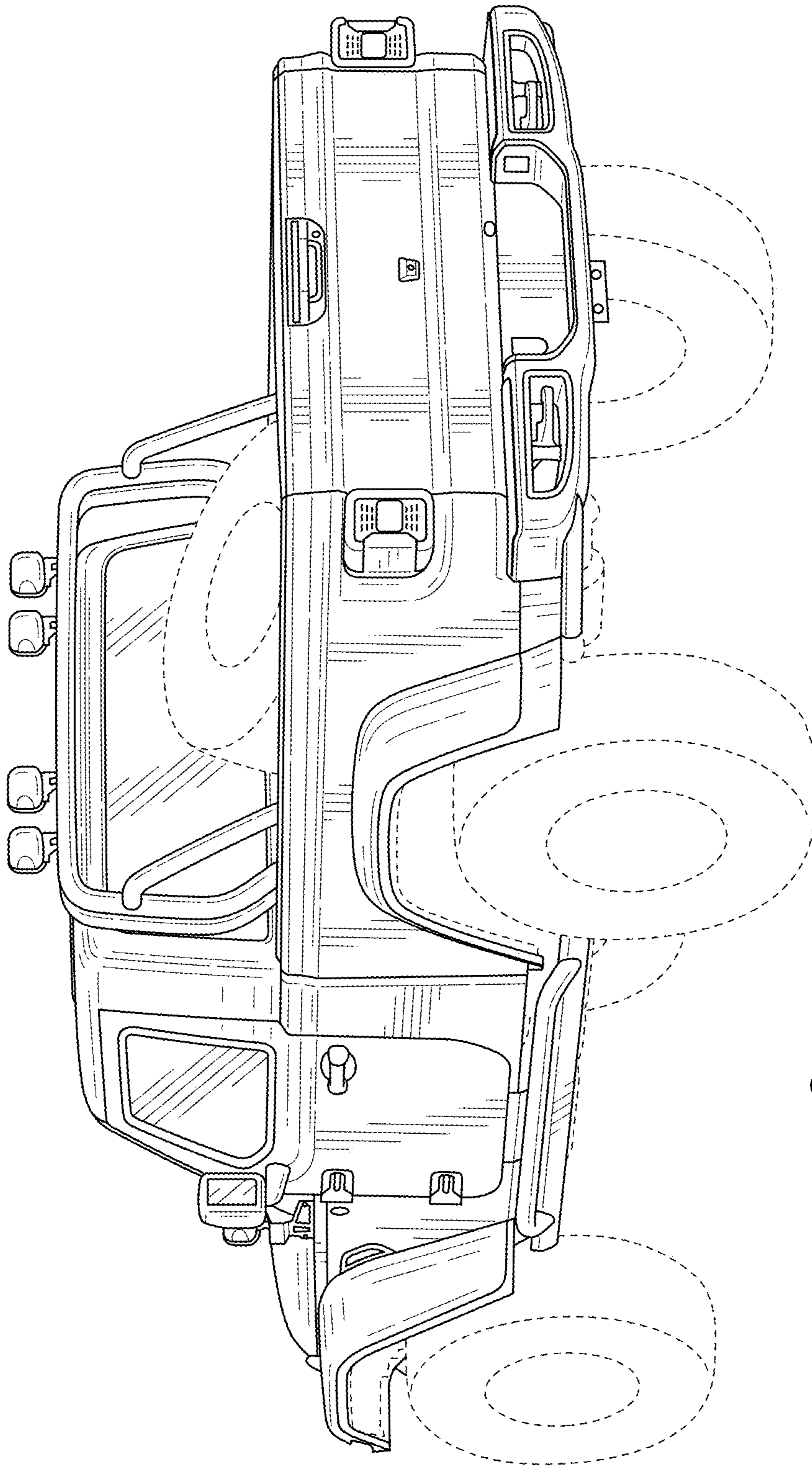


FIG. 2

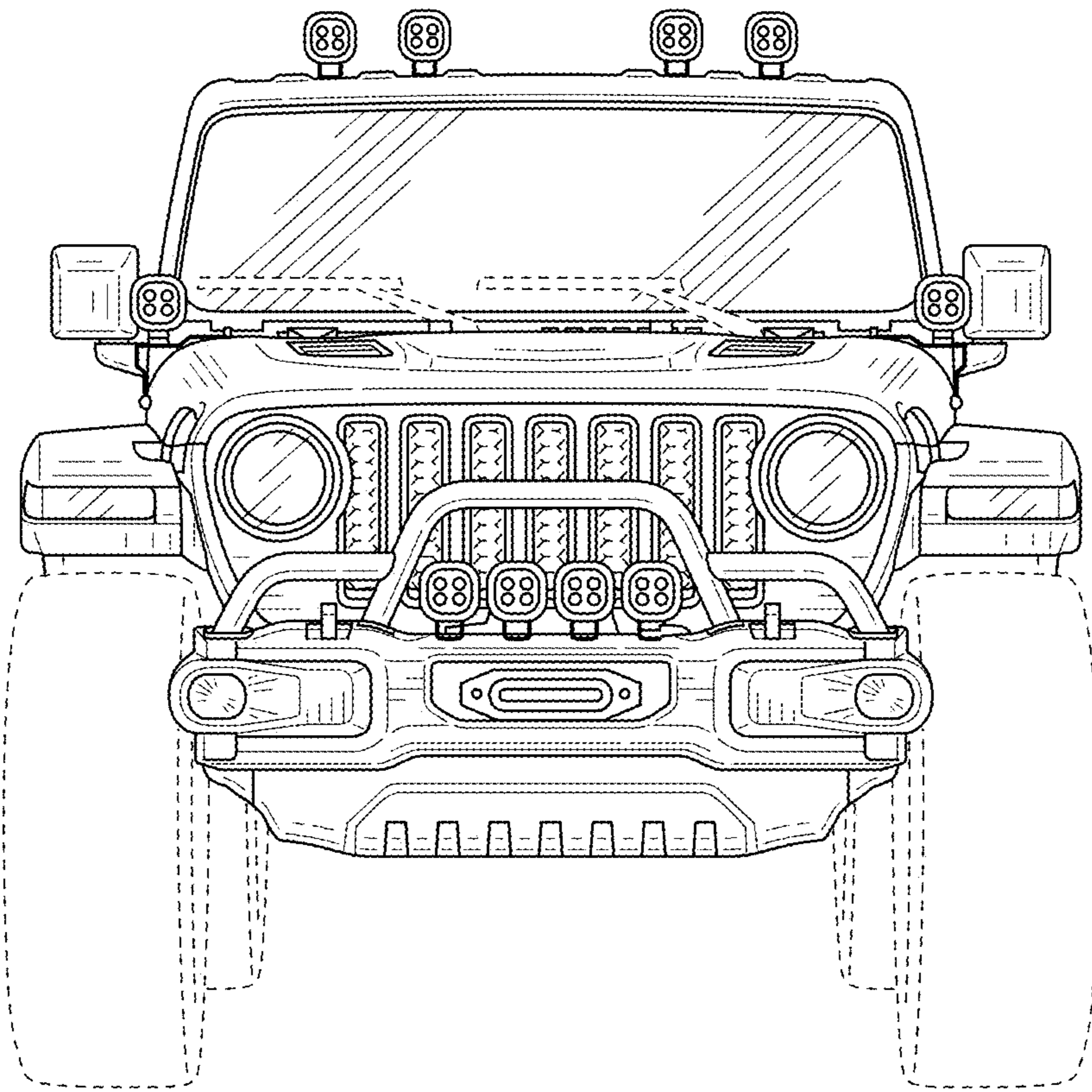


FIG. 3

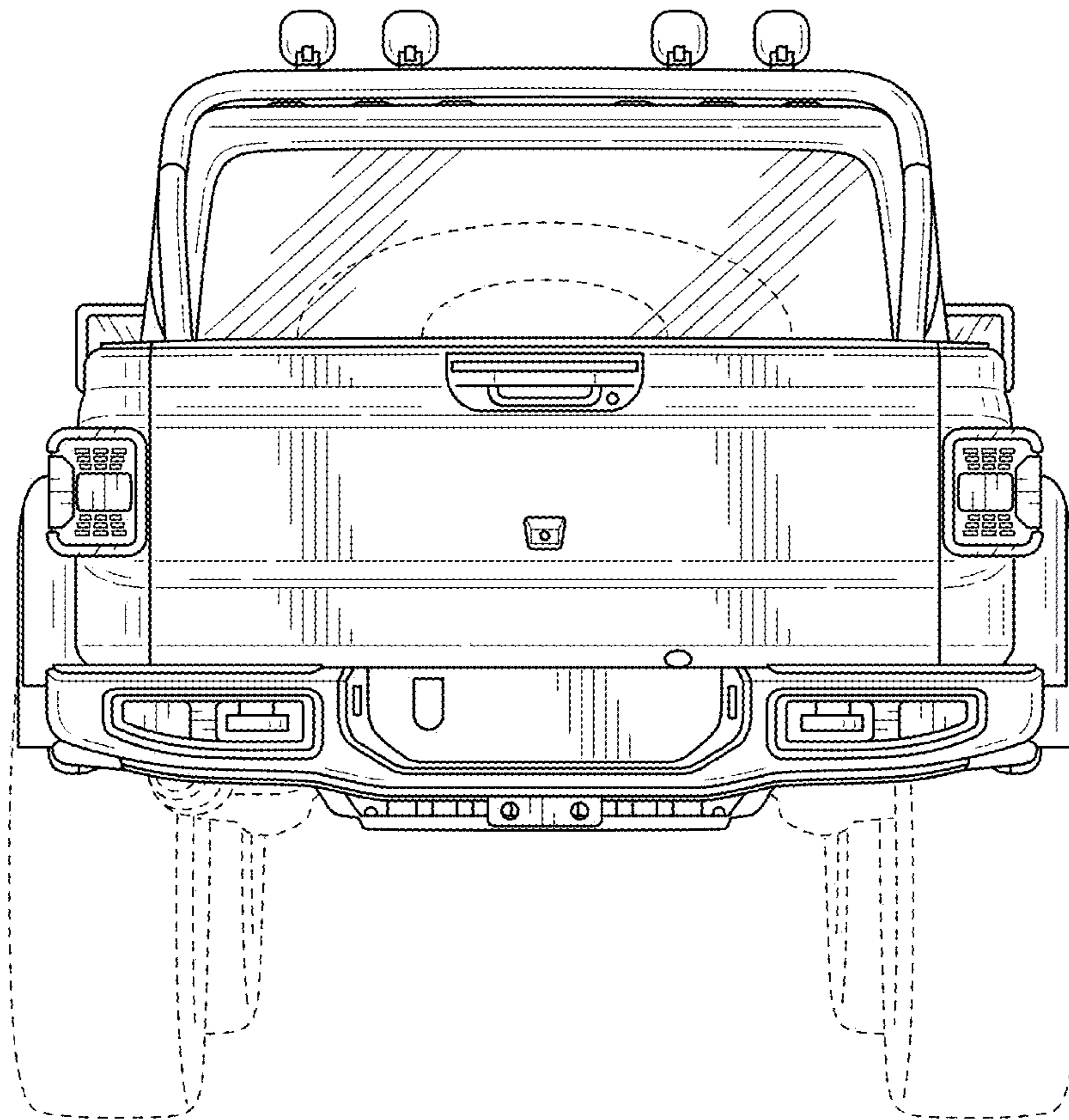


FIG. 4

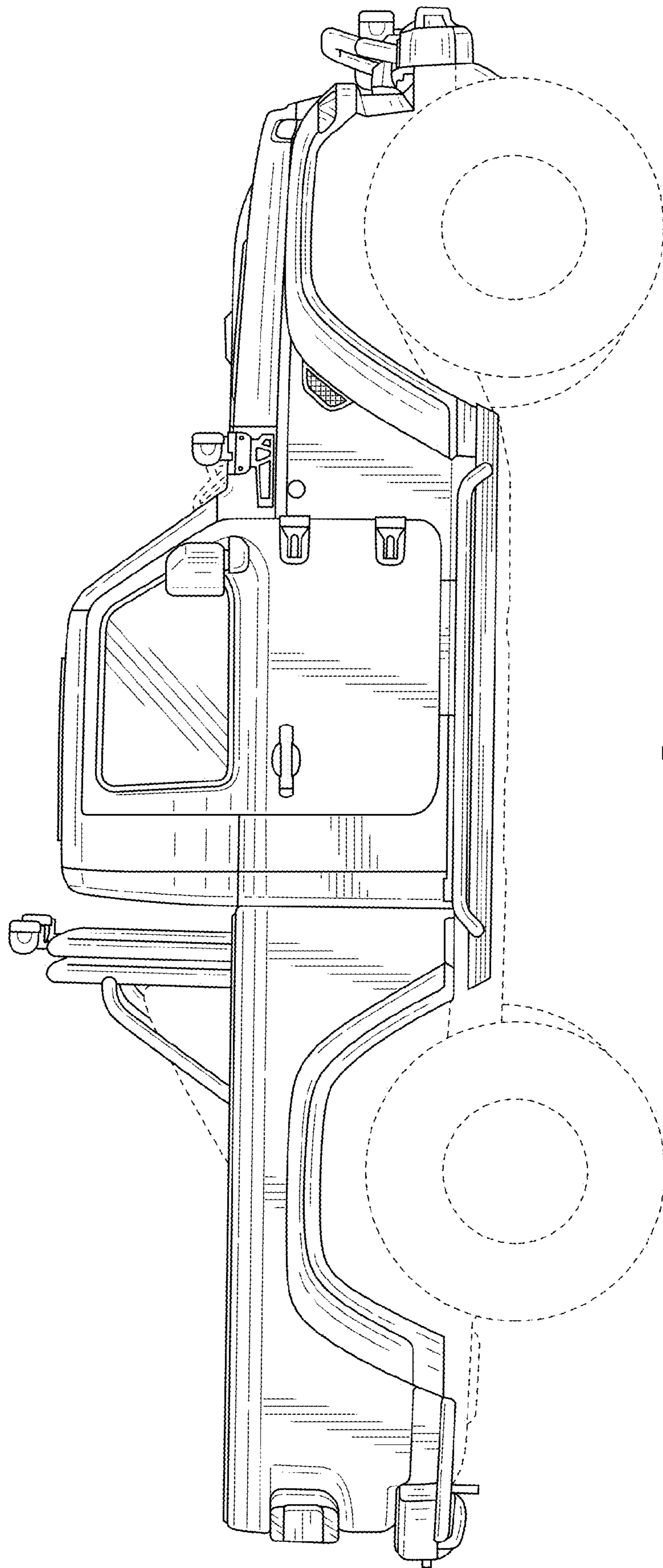


FIG. 5

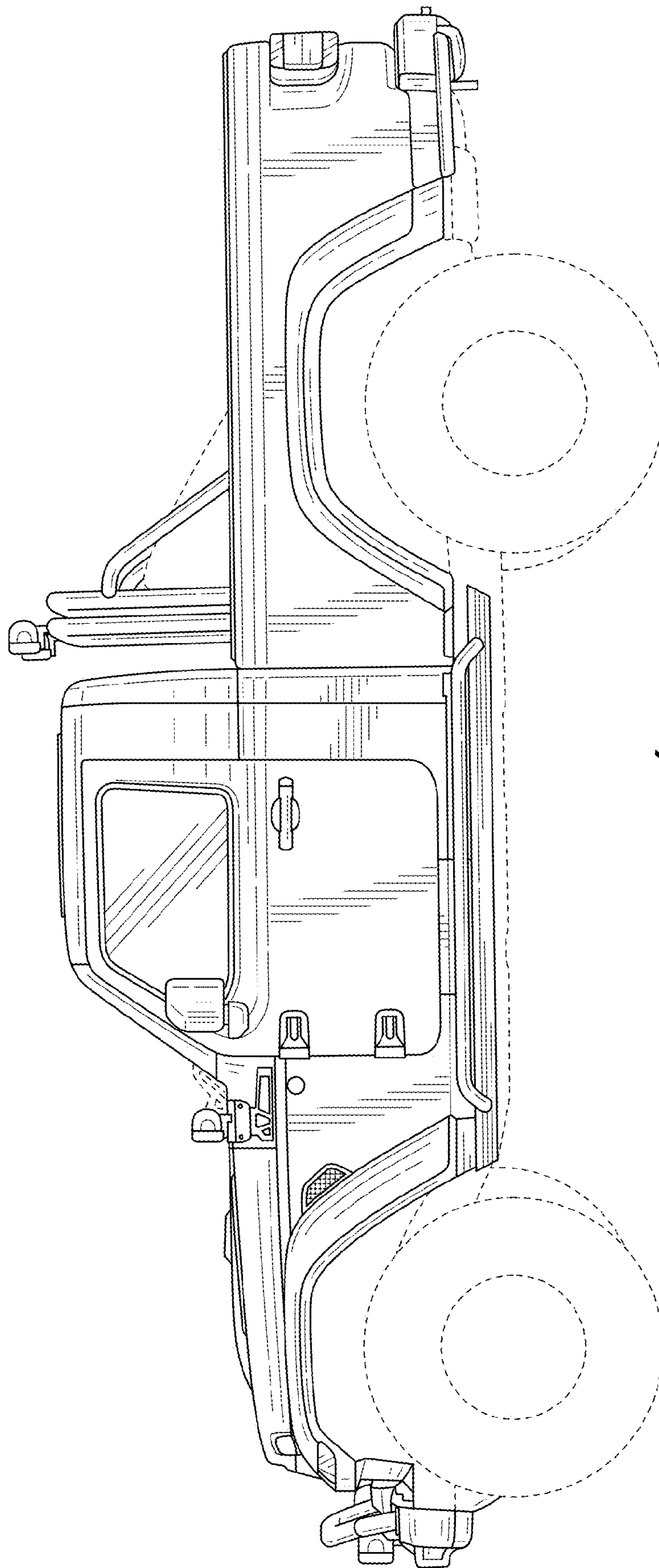


FIG. 6

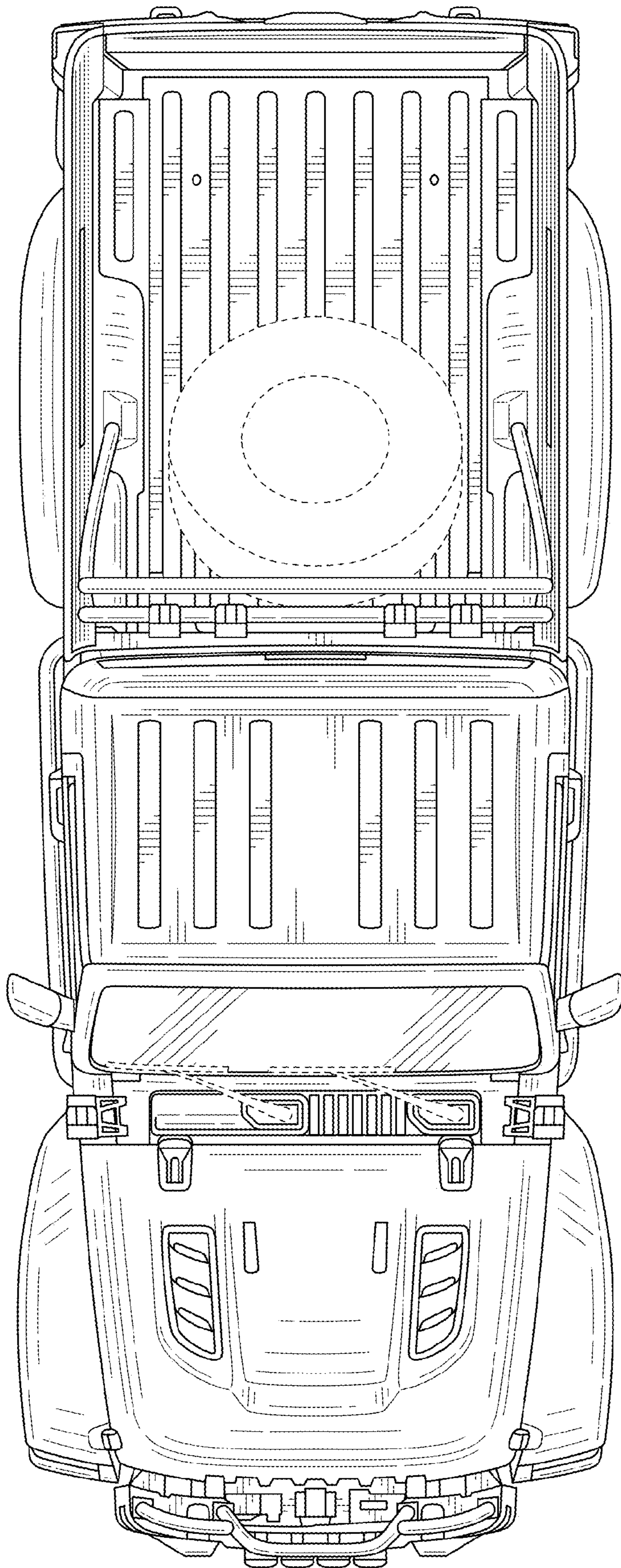


FIG. 7