



US00D912578S

(12) **United States Design Patent** (10) **Patent No.:** **US D912,578 S**  
**Egger et al.** (45) **Date of Patent:** **\*\* Mar. 9, 2021**

(54) **TRUCK**

(71) Applicant: **BYD COMPANY LIMITED**,  
Guangdong (CN)

(72) Inventors: **Wolfgang Josef Egger**, Shenzhen (CN);  
**Wenquan Tang**, Shenzhen (CN);  
**Yuncheng Zhang**, Shenzhen (CN);  
**Yadong Yin**, Shenzhen (CN)

(73) Assignee: **BYD COMPANY LIMITED**,  
Guangdong (CN)

(\*\*) Term: **15 Years**

(21) Appl. No.: **29/708,778**

(22) Filed: **Oct. 9, 2019**

(30) **Foreign Application Priority Data**

Apr. 9, 2019 (CN) ..... 201930157838.5

(51) **LOC (13) Cl.** ..... **12-08**

(52) **U.S. Cl.**  
USPC ..... **D12/96**

(58) **Field of Classification Search**  
USPC ... D12/1, 14, 15, 82, 84, 90, 93, 95, 96, 99;  
D21/433, 434, 552, 554  
CPC ..... B60Y 2200/14; B60Y 2200/141; B60Y  
2200/142; B60Y 2200/1422; B62D 33/00;  
B62D 33/06; B62D 33/077; B62D  
33/0604; B62D 33/0612  
See application file for complete search history.

(56) **References Cited**

**U.S. PATENT DOCUMENTS**

D408,331 S \* 4/1999 Sacco ..... D12/96  
D416,829 S \* 11/1999 Sacco ..... D12/96  
D423,412 S \* 4/2000 Sacco ..... D12/96  
D540,218 S \* 4/2007 Sekiguchi ..... D12/96  
D570,739 S \* 6/2008 Emoto ..... D12/96  
D570,740 S \* 6/2008 Emoto ..... D12/96  
D571,259 S \* 6/2008 Emoto ..... D12/96

D632,614 S \* 2/2011 Iuchi ..... D12/96  
D653,994 S \* 2/2012 Fukushima ..... D12/96  
D729,122 S \* 5/2015 Koos ..... D12/96  
D729,123 S \* 5/2015 Koos ..... D12/96  
2007/0075566 A1\* 4/2007 Lindemann ..... B62D 33/06  
296/190.01  
2020/0039581 A1\* 2/2020 Slave ..... B62D 15/022

**OTHER PUBLICATIONS**

Byd, www.csctrucks.com [online]. Published on or before Nov. 6, 2019, [retrieved on Nov. 2, 2020]. Retrieved from the Internet: <URL:http://www.csctrucks.com/news/byd-electric-road-sweeper-truck-t8f-at-exhibit-28766120.html> (Year: 2019).\*

\* cited by examiner

*Primary Examiner* — Michael A. Pratt

*Assistant Examiner* — Adam C Mager

(74) *Attorney, Agent, or Firm* — Calfee Halter & Griswold LLP

(57) **CLAIM**

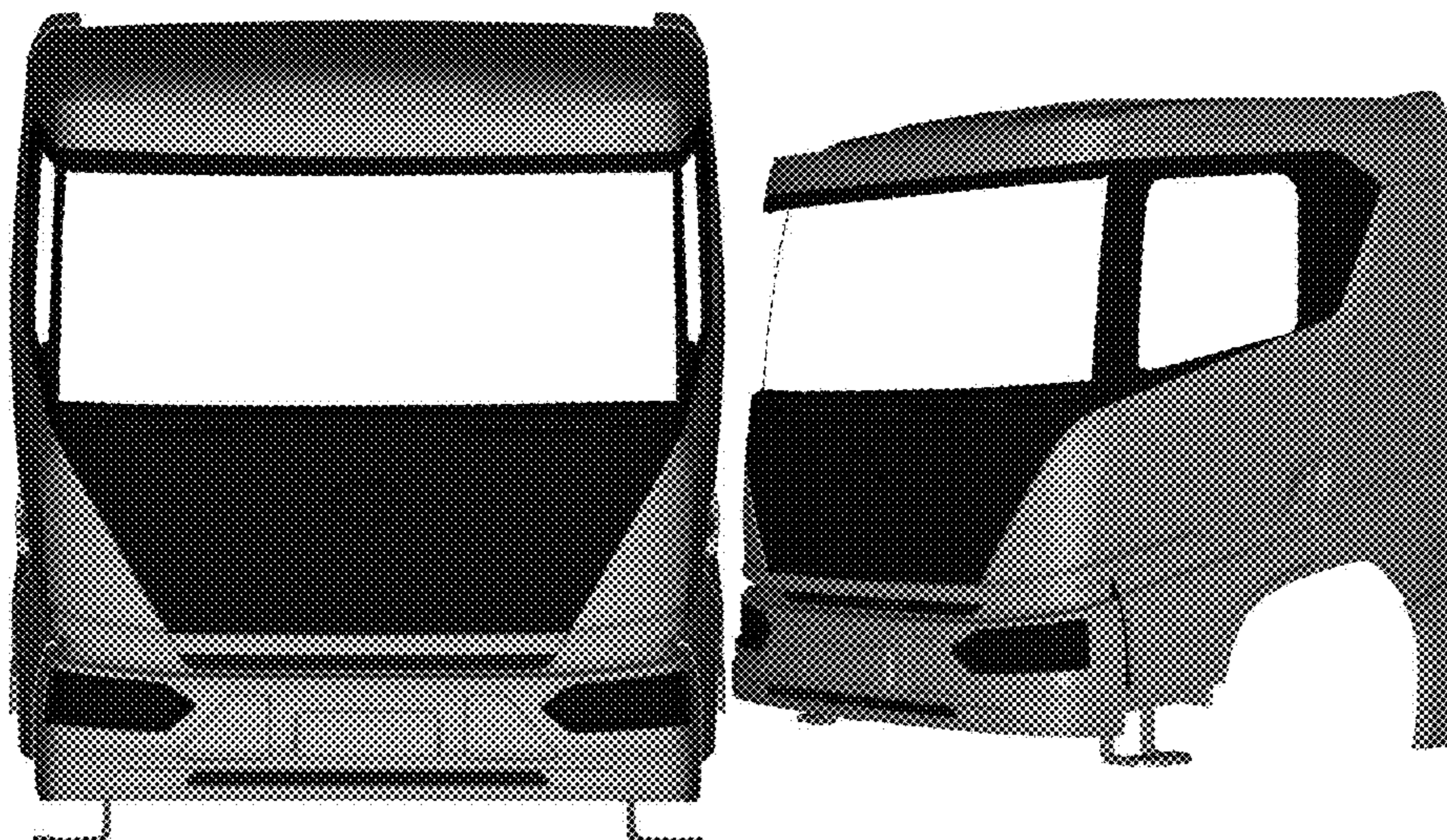
We claim the ornamental design for a truck, as shown and described.

**DESCRIPTION**

FIG. 1 is a rendered drawing of a front elevational view of a truck of the present design;  
FIG. 2 is a rear elevational view thereof;  
FIG. 3 is a right-side elevational view thereof;  
FIG. 4 is a left-side elevational view thereof;  
FIG. 5 is a top plan view thereof; and,  
FIG. 6 is a top, front, and right-side perspective view thereof.

The bottom view forms no part of the claimed design. The rendered drawings include surface shading that represents contour and not surface ornamentation. The broken line showing of windows and portions of the article is for the purpose of illustrating environmental structure and forms no part of the claimed design.

**1 Claim, 6 Drawing Sheets**



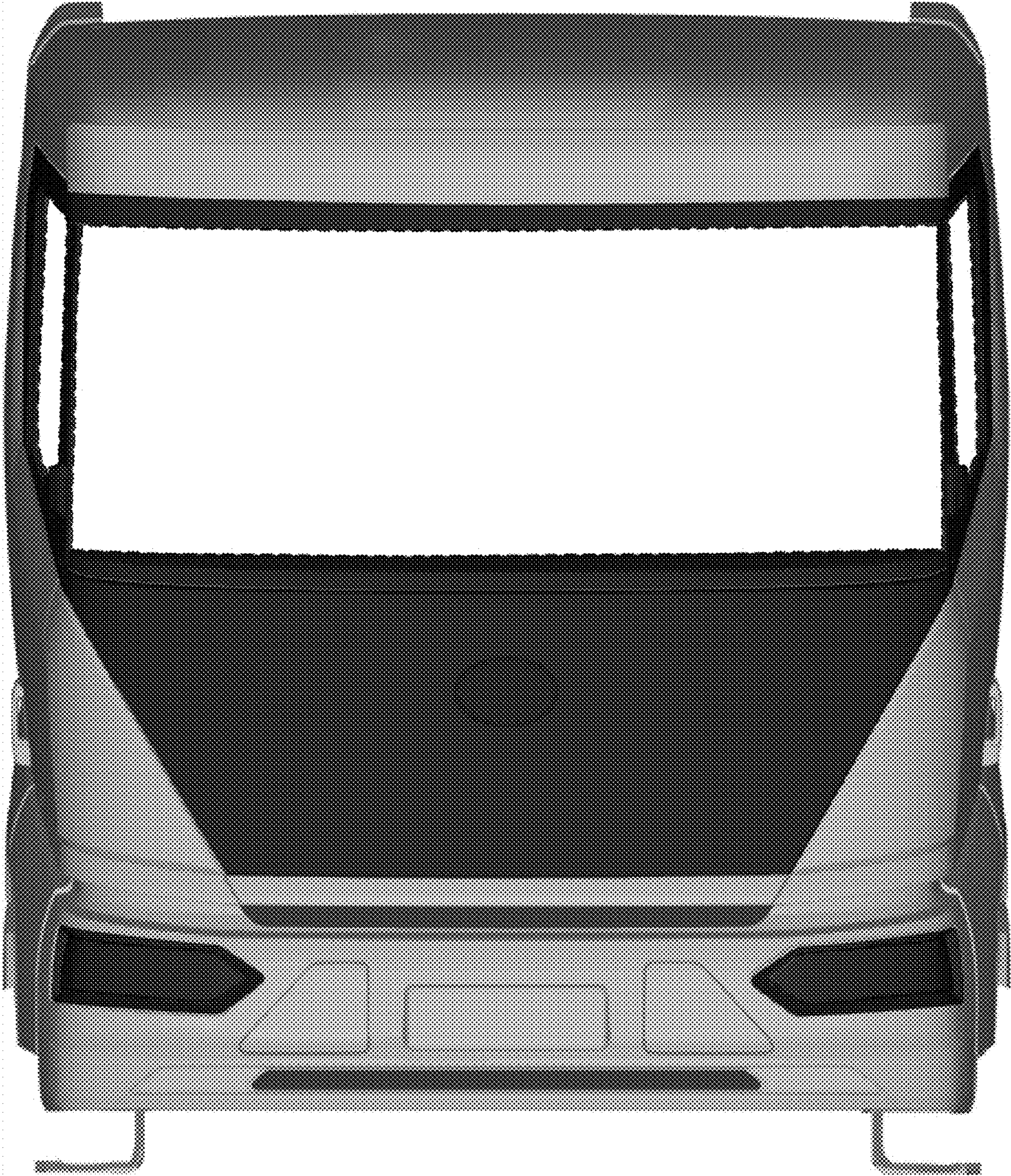


FIG. 1

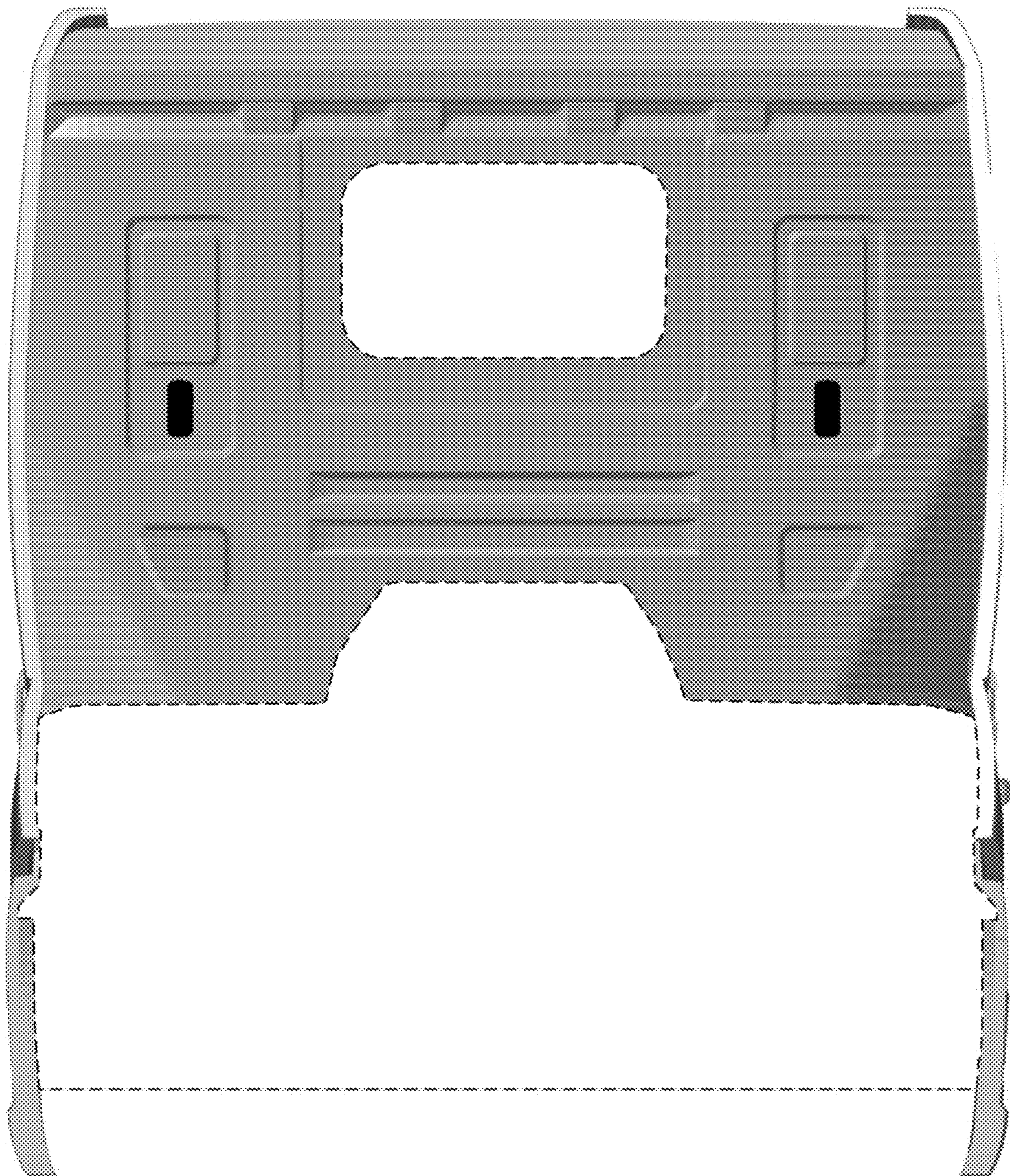


FIG. 2

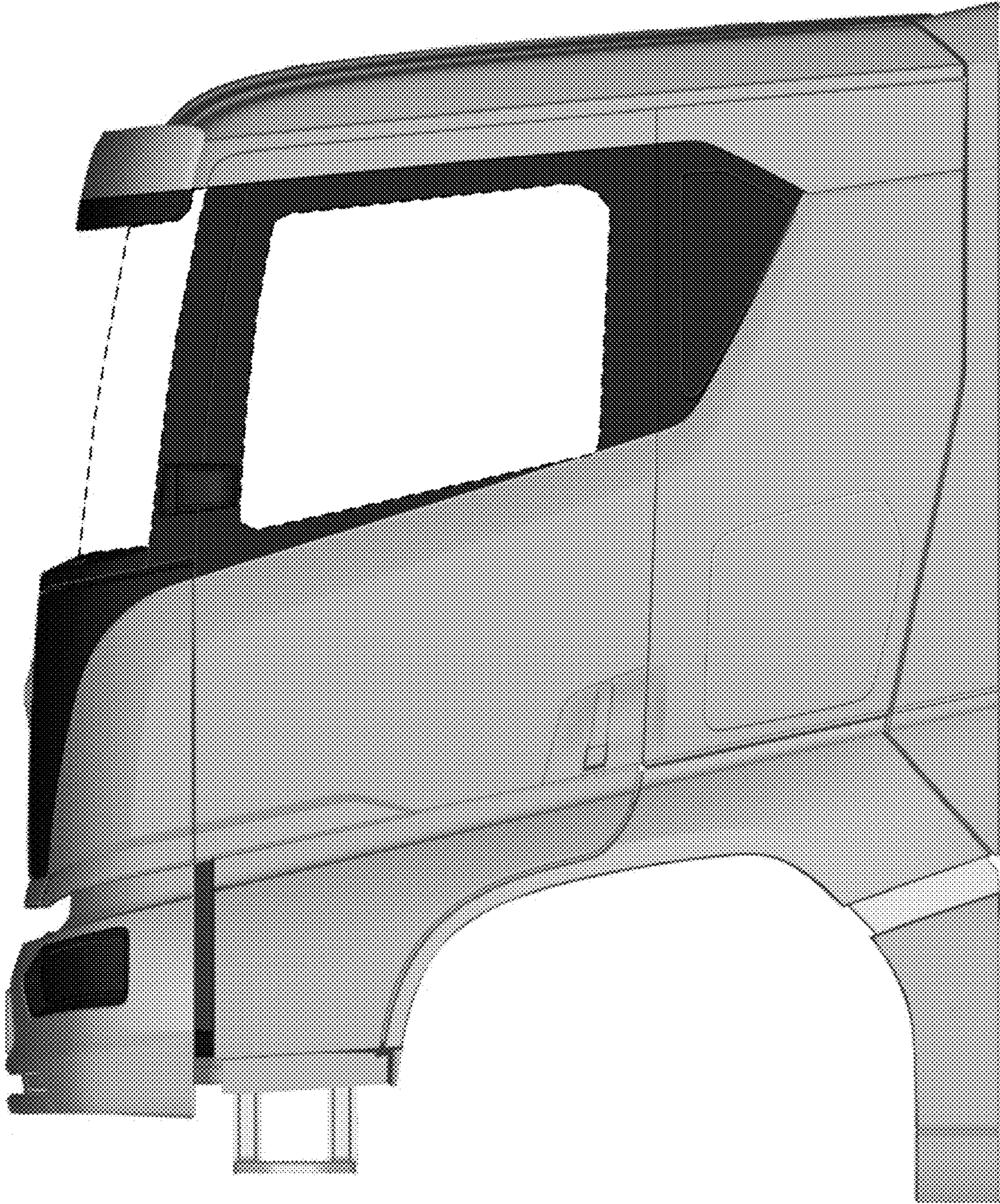


FIG. 3

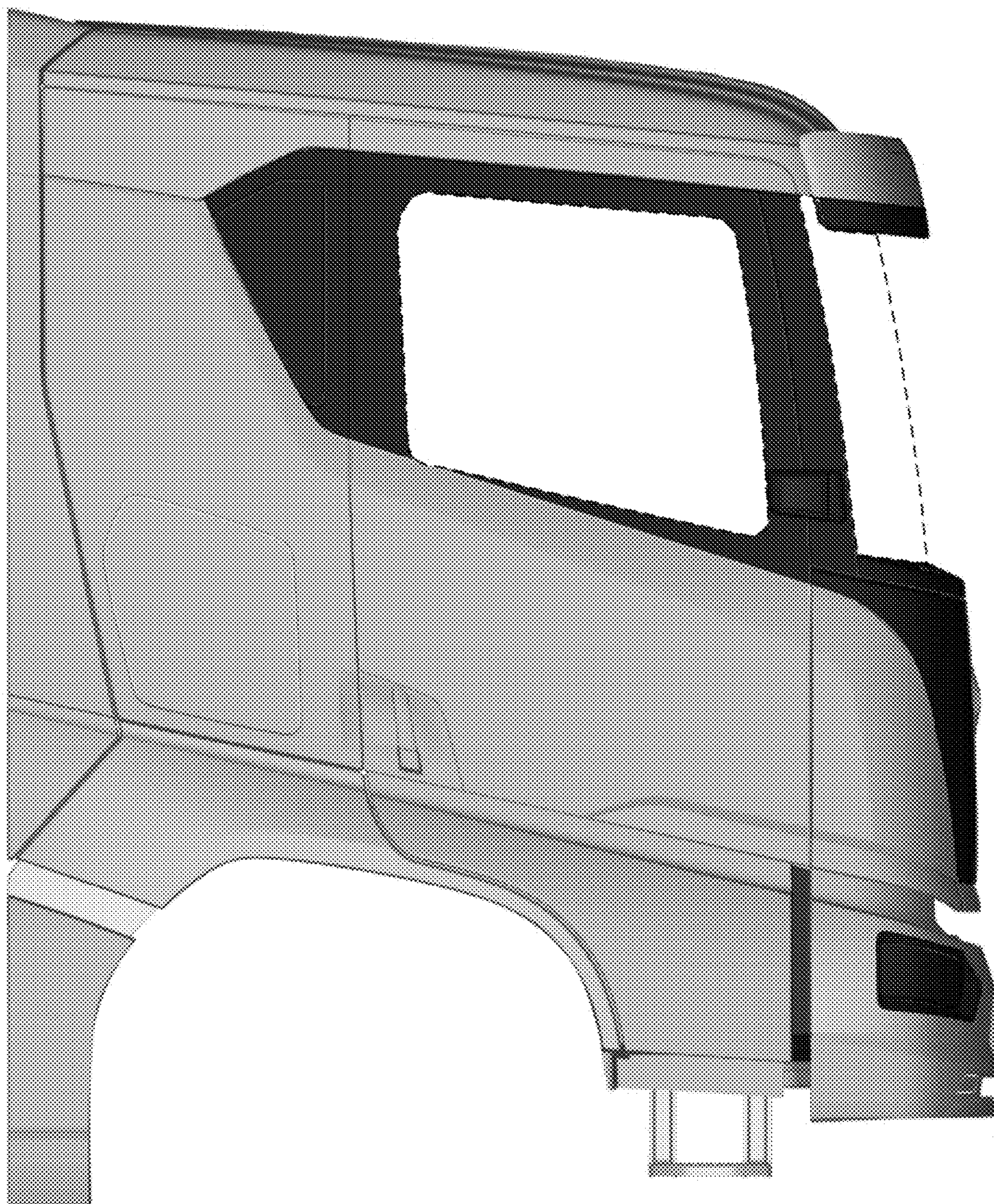


FIG. 4

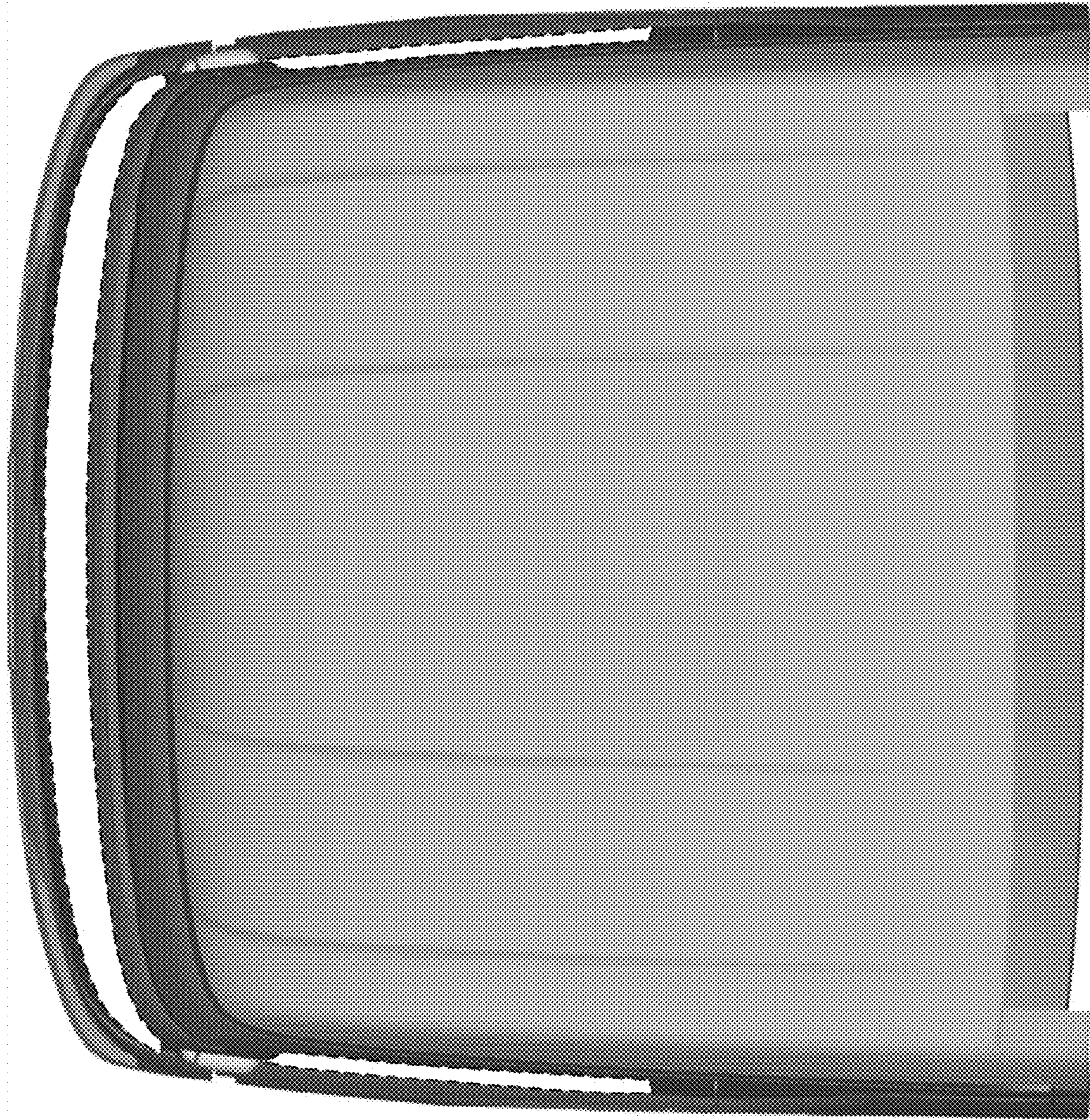


FIG. 5

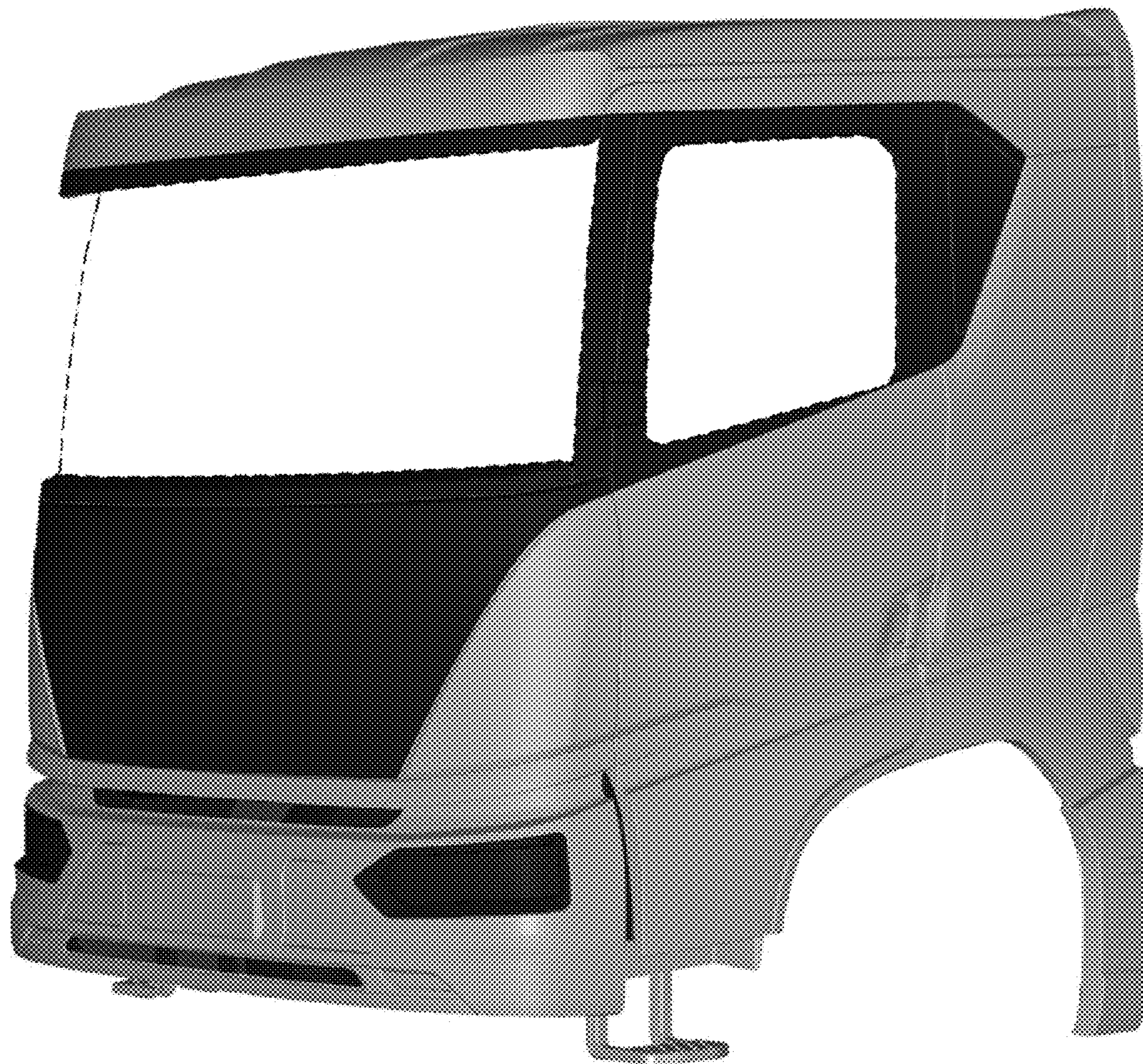


FIG. 6