



US00D912577S

(12) **United States Design Patent** (10) **Patent No.:** **US D912,577 S**
Fontaeus et al. (45) **Date of Patent:** **** Mar. 9, 2021**

(54) **AUTOMOBILE**

(71) Applicant: **GUANGZHOU AUTOMOBILE GROUP CO., LTD.**, Guangdong (CN)

(72) Inventors: **Joan Pontus Anthony Fontaeus**, Guangdong (CN); **Zhuoyu Lu**, Guangdong (CN); **Hyunsoo Kim**, Guangdong (CN); **Eric Kim**, Guangdong (CN); **Martin Amazarian**, Guangdong (CN); **Jiahuan Huang**, Guangdong (CN); **Xiaojian Tang**, Guangdong (CN)

(73) Assignee: **GUANGZHOU AUTOMOBILE GROUP CO., LTD.**, Guangzhou (CN)

(**) Term: **15 Years**

(21) Appl. No.: **29/696,186**

(22) Filed: **Jun. 26, 2019**

(30) **Foreign Application Priority Data**

Dec. 29, 2018 (CN) 201830772545.3

(51) **LOC (13) Cl.** **12-08**

(52) **U.S. Cl.**
USPC **D12/91**

(58) **Field of Classification Search**
USPC D12/86, 90-92, 88, 164; D21/424, 433, D21/434; 296/181.1-181.5, 183.1
CPC B62D 25/00; B62D 25/06; B62D 33/00; B62D 35/00

See application file for complete search history.

(56) **References Cited**

U.S. PATENT DOCUMENTS

| | | | | |
|--------------|---------|--------------|-------|---------|
| D679,226 S * | 4/2013 | Schmeckpeper | | D12/169 |
| D786,151 S * | 5/2017 | Sakai | | D12/169 |
| D793,292 S * | 8/2017 | Lee | | D12/169 |
| D805,010 S * | 12/2017 | Ye | | D12/171 |
| D847,045 S * | 4/2019 | Whitla | | D12/169 |
| D854,983 S * | 7/2019 | Katou | | D12/169 |
| D860,077 S * | 9/2019 | Riggs | | D12/169 |
| D883,875 S * | 5/2020 | Woodhouse | | D12/169 |
| D887,914 S * | 6/2020 | Utsunomiya | | D12/169 |

* cited by examiner

Primary Examiner — Melody N Brown

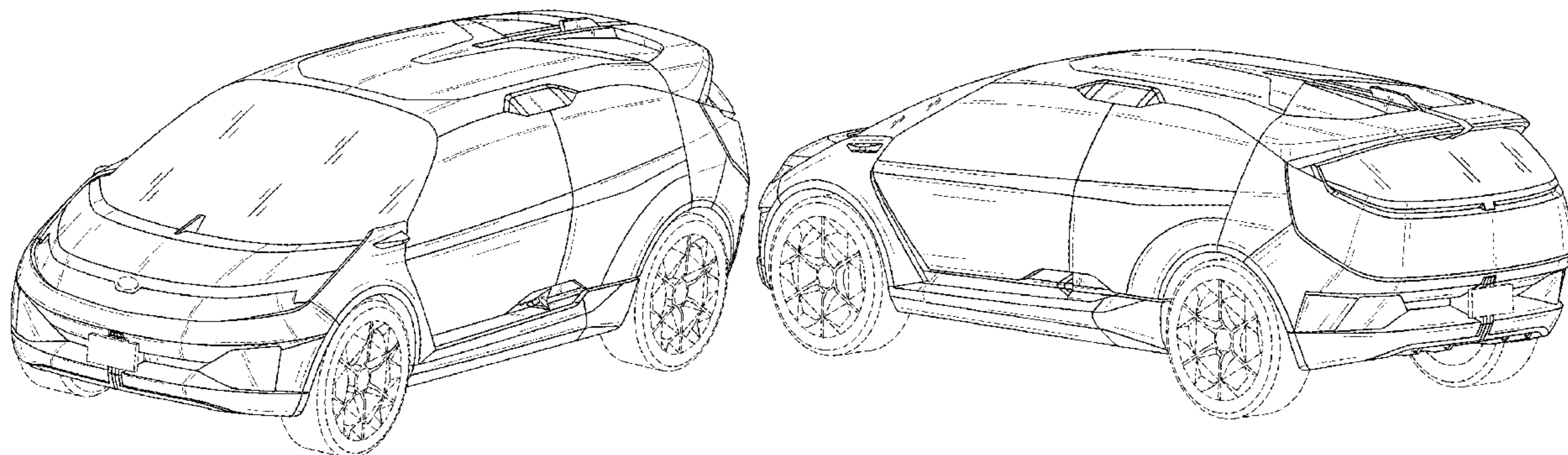
(57) **CLAIM**

The ornamental design for an automobile, as shown and described.

DESCRIPTION

FIG. 1 is a front elevational view of an automobile showing our new design;
FIG. 2 is a rear elevational view thereof;
FIG. 3 is a left side view thereof;
FIG. 4 is a right side view thereof;
FIG. 5 is a top plan view thereof;
FIG. 6 is a top, front and right side perspective view thereof; and,
FIG. 7 is a top, rear and right side perspective view thereof.
The oblique shade lines in the drawings represent a reflective surface. The broken lines in the drawings illustrate portions of the automobile which form no part of the claimed design.

1 Claim, 4 Drawing Sheets



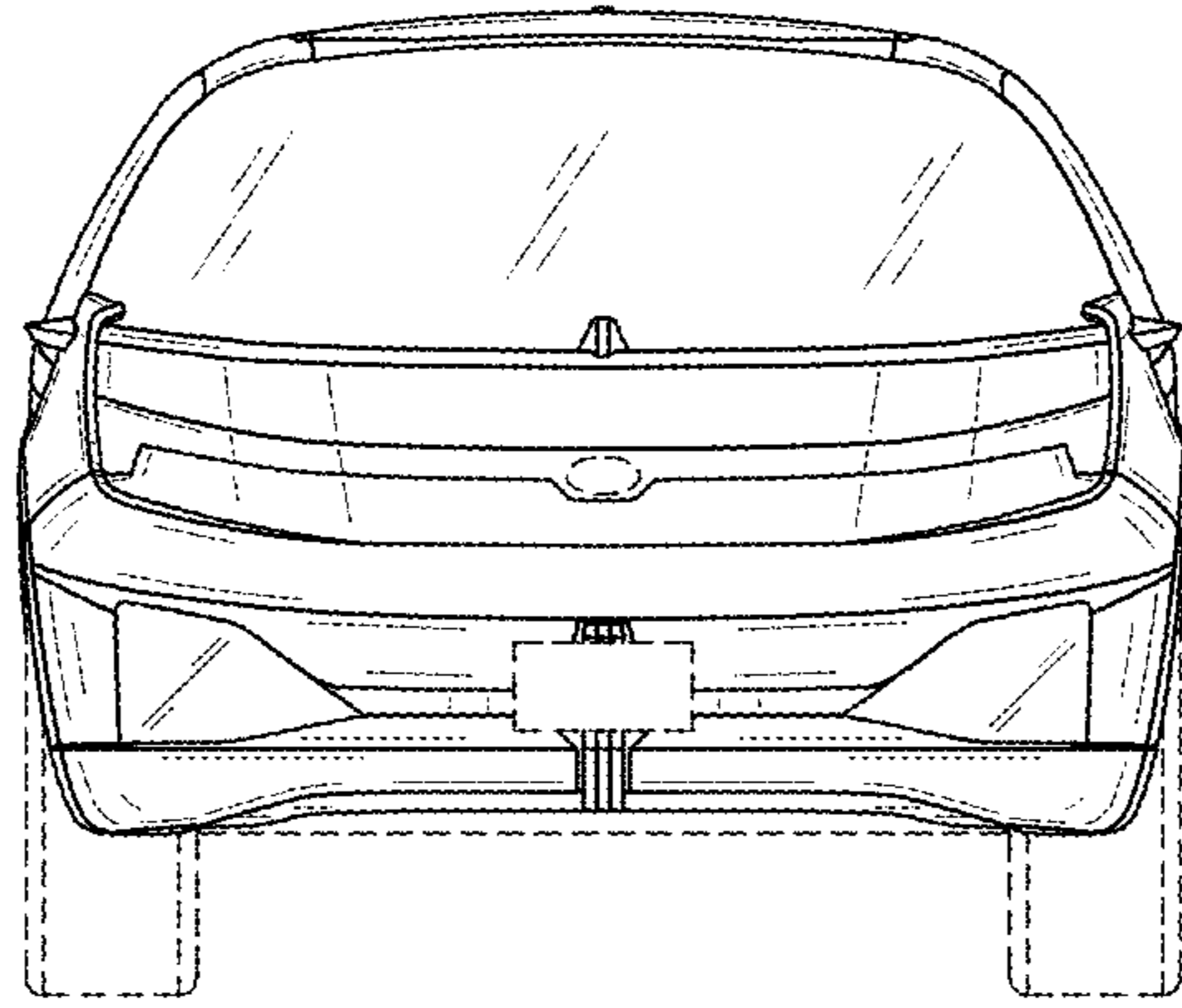


FIG.1

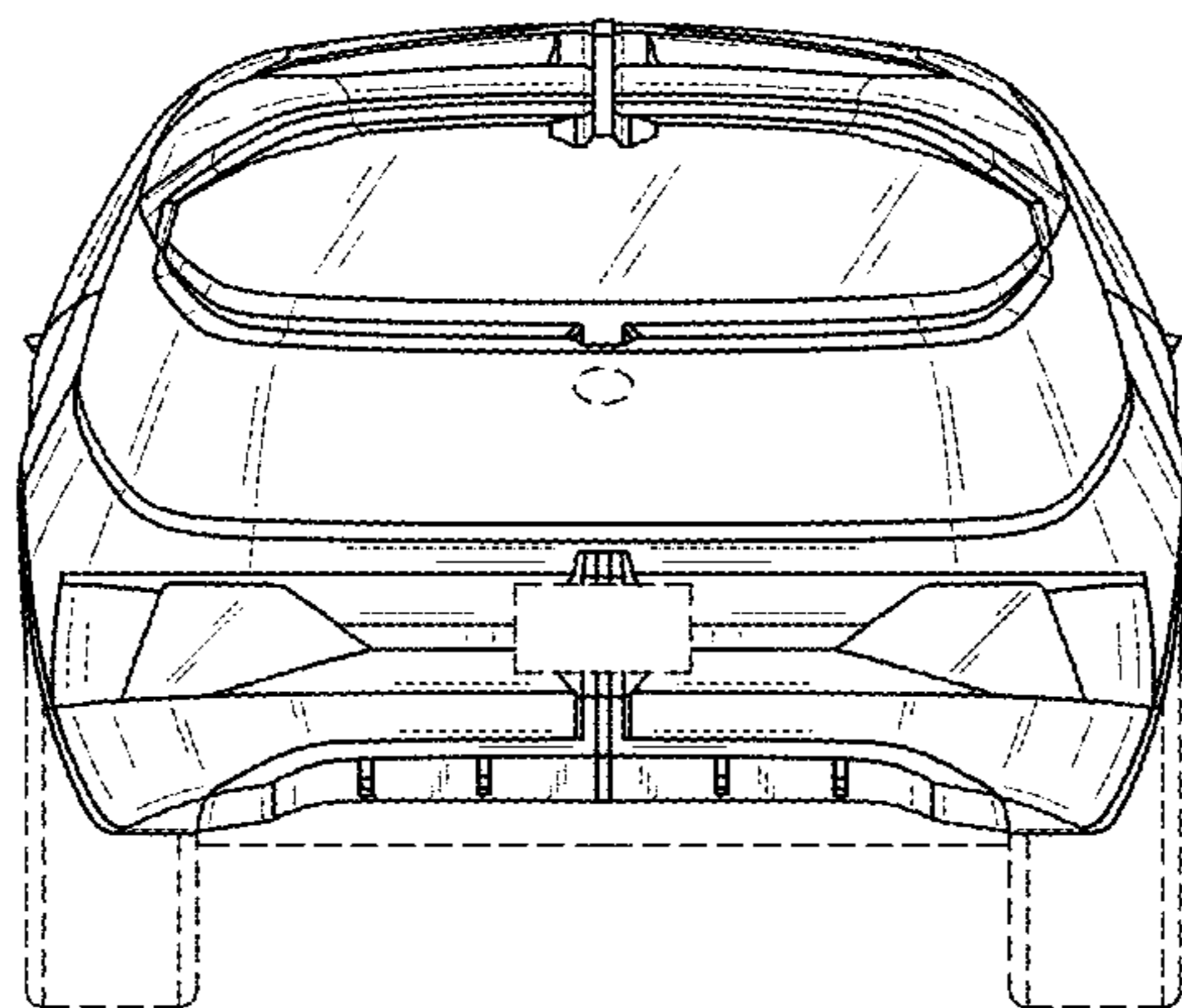


FIG.2

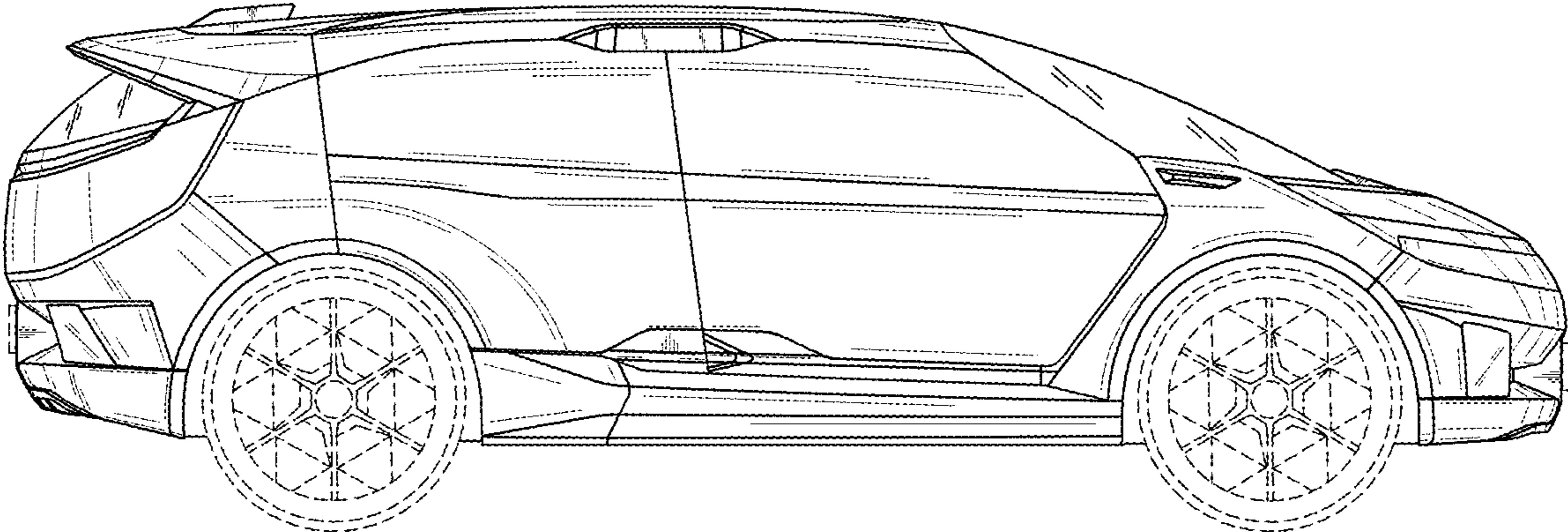


FIG.3

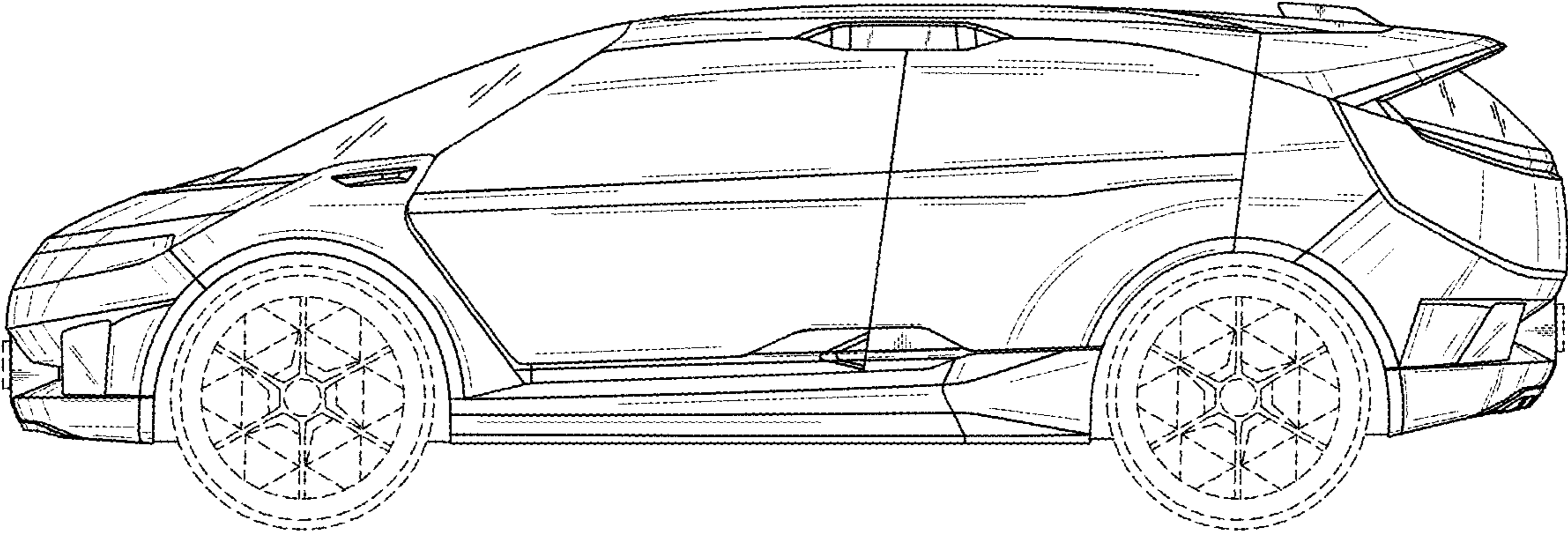


FIG.4

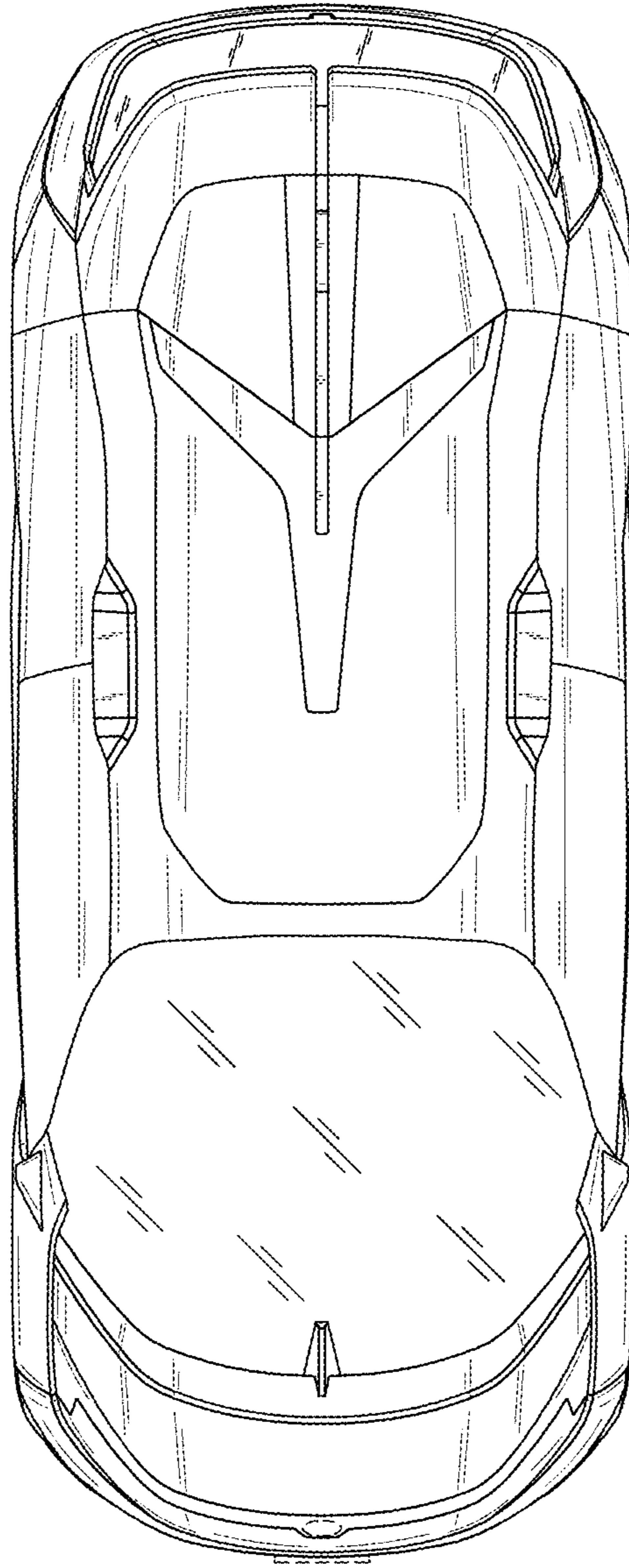


FIG.5

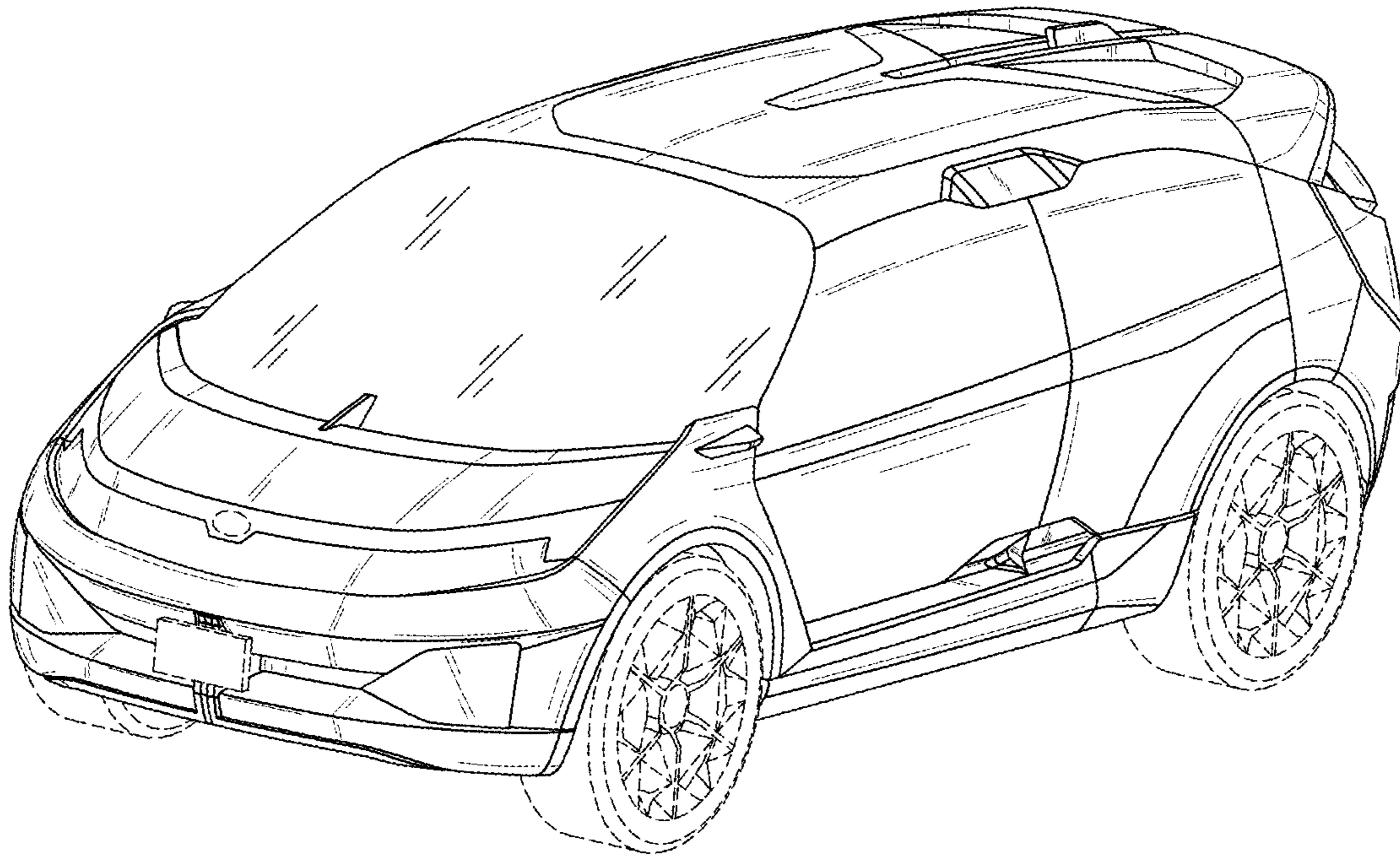


FIG.6

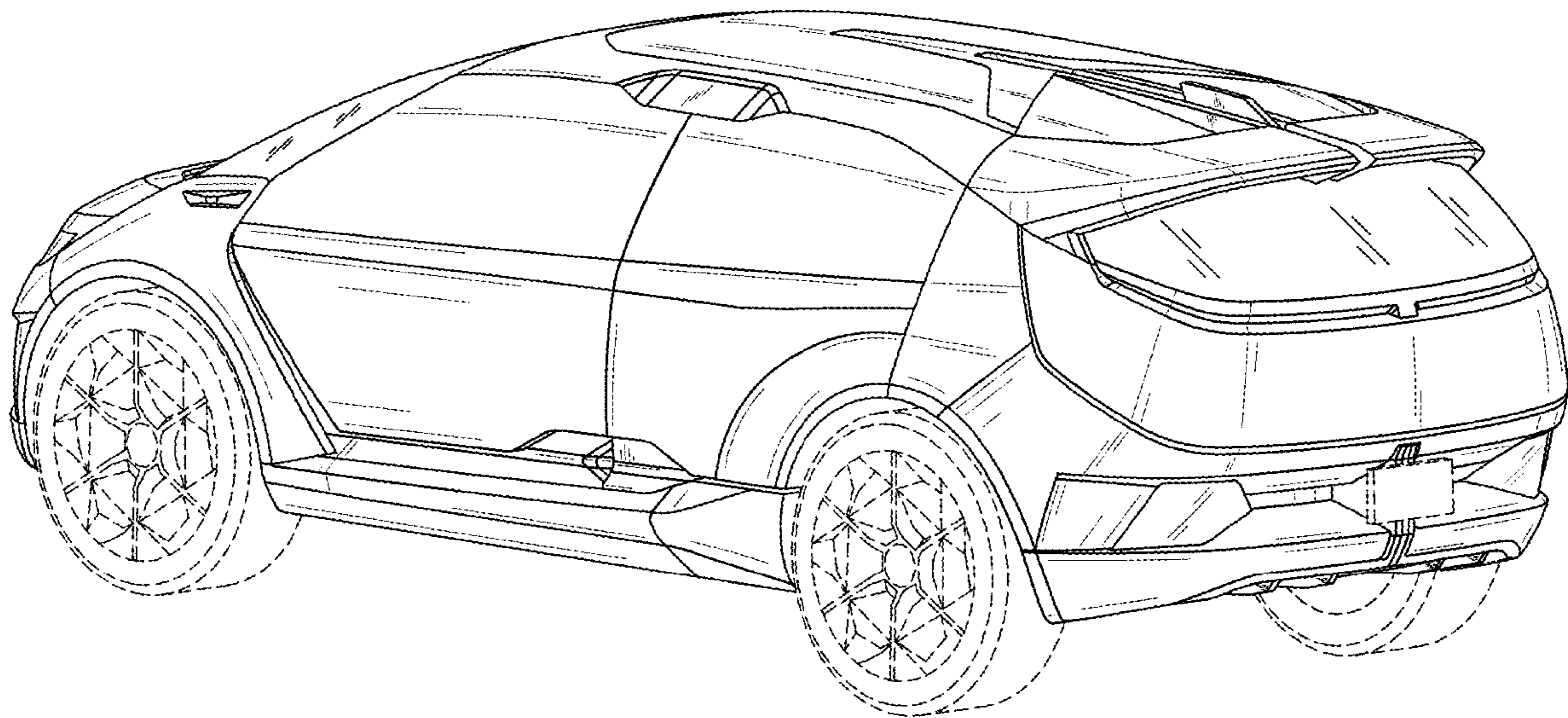


FIG.7