



US00D912573S

(12) **United States Design Patent**
Tsai

(10) **Patent No.:** **US D912,573 S**

(45) **Date of Patent:** **** Mar. 9, 2021**

(54) **BUCKLE BELT ASSEMBLY**

(71) Applicant: **Hai Pin Tsai**, Hong Kong (CN)

(72) Inventor: **Hai Pin Tsai**, Hong Kong (CN)

(**) Term: **15 Years**

(21) Appl. No.: **29/710,213**

(22) Filed: **Oct. 22, 2019**

(30) **Foreign Application Priority Data**

Aug. 20, 2019 (CN) 201930452471.X

(51) **LOC (13) Cl.** **02-07**

(52) **U.S. Cl.**
USPC **D11/200**

(58) **Field of Classification Search**
USPC D8/349; D11/208–210, 214, 220, 200,
D11/201, 221; D3/207, 208, 209, 210,
D3/211, 215, 249
CPC ... A45C 11/323; A45C 11/326; A45C 13/023;
A44B 15/005; A44B 15/00; A45F 5/004;
A45F 5/02; A45F 5/021
See application file for complete search history.

(56) **References Cited**

U.S. PATENT DOCUMENTS

D373,626 S * 9/1996 Dente D23/366
D431,341 S * 9/2000 DiPaolo D3/208
D471,005 S * 3/2003 Hastings D3/215
D485,981 S * 2/2004 Romero D3/215
D518,595 S * 4/2006 Morganfield, Jr. D27/161
D642,376 S * 8/2011 Pennington D3/215

D648,522 S * 11/2011 Gorman D3/215
D653,722 S * 2/2012 Morris, Jr. D21/796
D677,188 S * 3/2013 Kalbach D11/3
D677,189 S * 3/2013 Kalbach D11/3
D794,556 S * 8/2017 Liao D13/107
2011/0226823 A1* 9/2011 Jasa A45F 5/004
224/162
2013/0213416 A1* 8/2013 Ahmet A24F 13/00
131/290

FOREIGN PATENT DOCUMENTS

EM 006741112-0001 * 8/2019

* cited by examiner

Primary Examiner — Michelle E. Wilson

Assistant Examiner — Tracey J Bell

(57) **CLAIM**

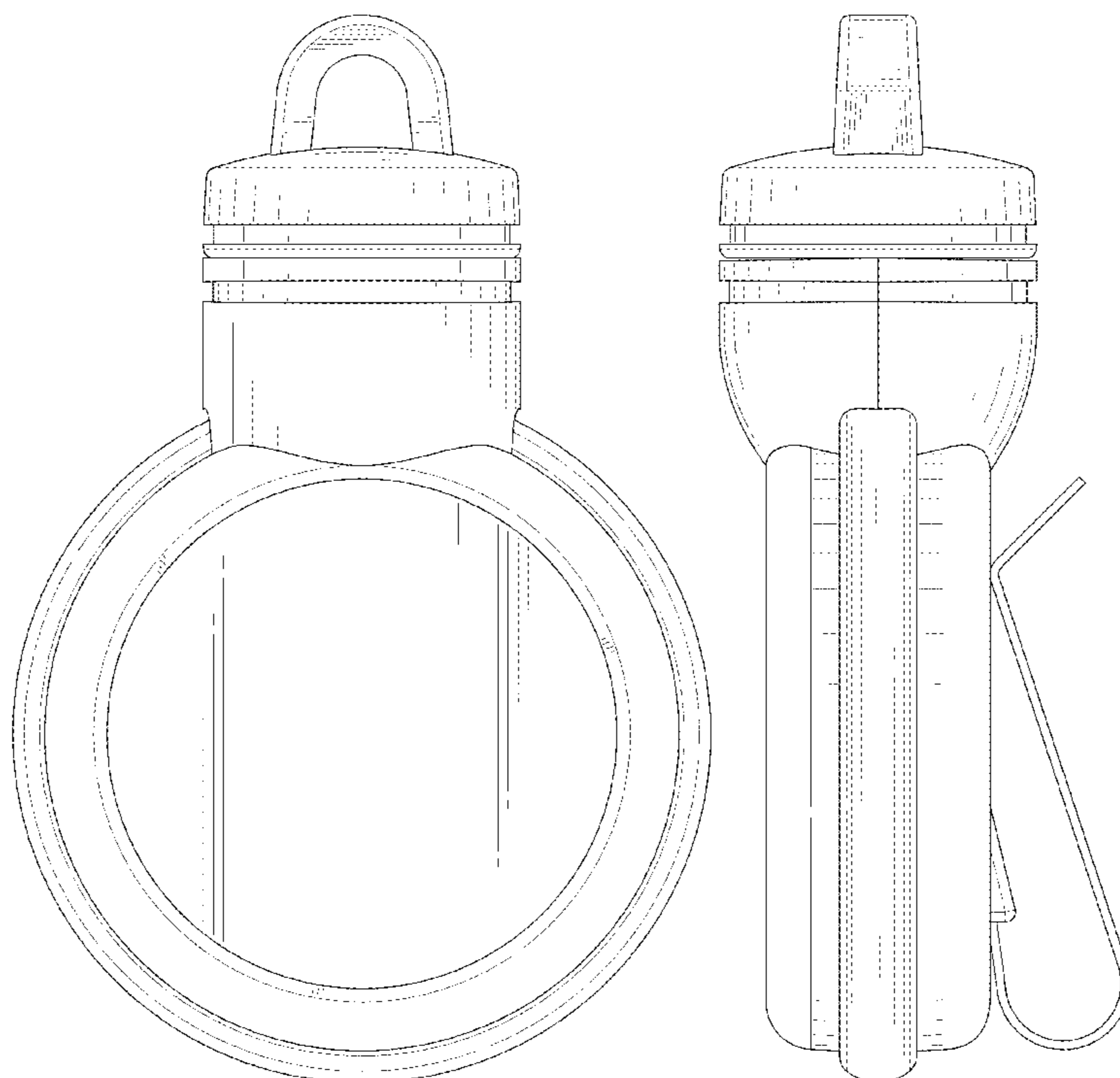
The ornamental design for a buckle belt assembly, as shown and described.

DESCRIPTION

FIG. 1 is a perspective view of a buckle belt assembly showing my new design;
FIG. 2 is another perspective view thereof;
FIG. 3 is a front elevational view thereof;
FIG. 4 is a rear elevational view thereof;
FIG. 5 is a left side elevational view thereof;
FIG. 6 is a right side elevational view thereof;
FIG. 7 is a top plan view thereof; and,
FIG. 8 is a bottom plan view thereof.

The broken lines in the drawings are for the purpose of illustrating portions of the buckle belt assembly that form no part of the claimed design.

1 Claim, 8 Drawing Sheets



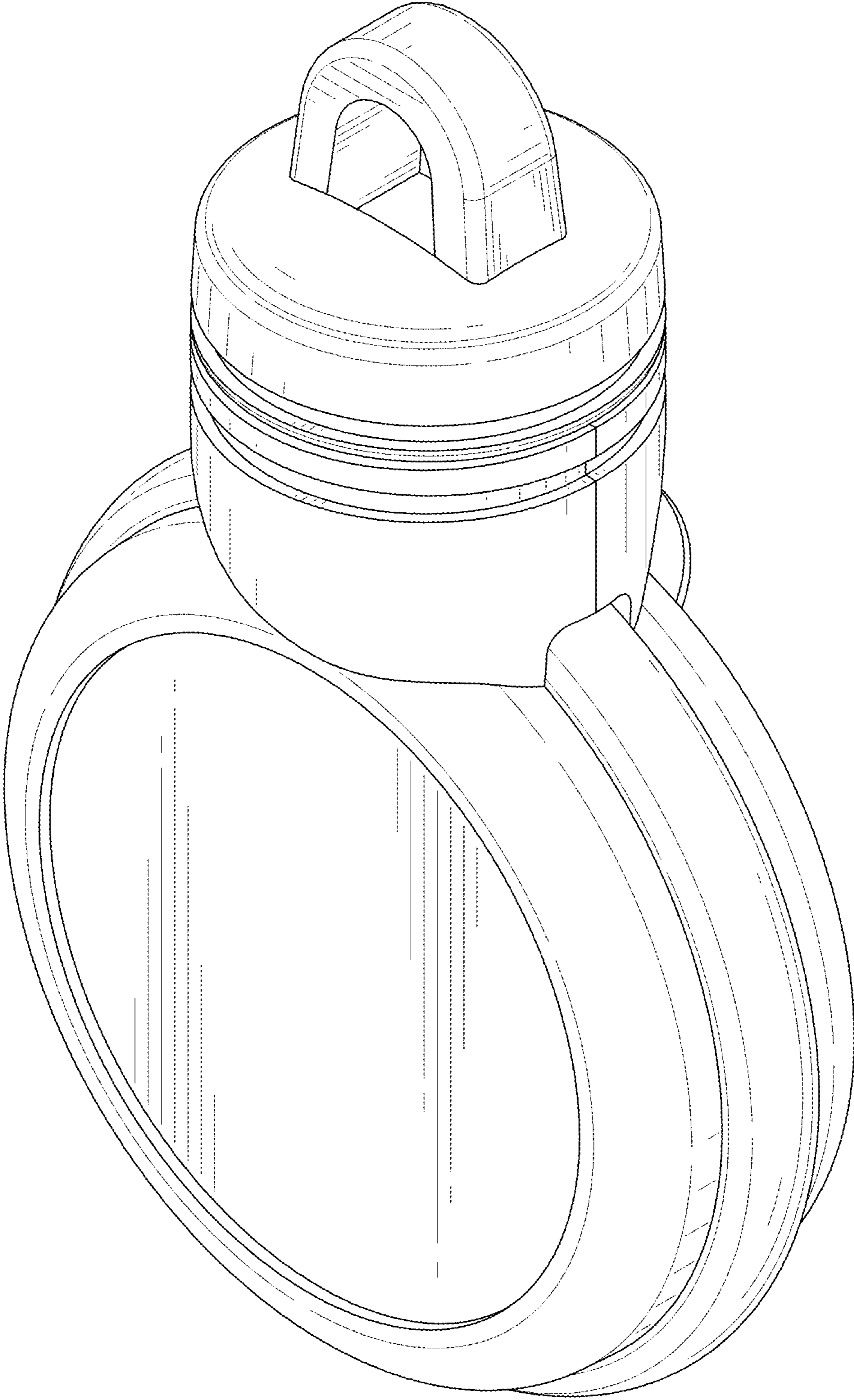


FIG. 1

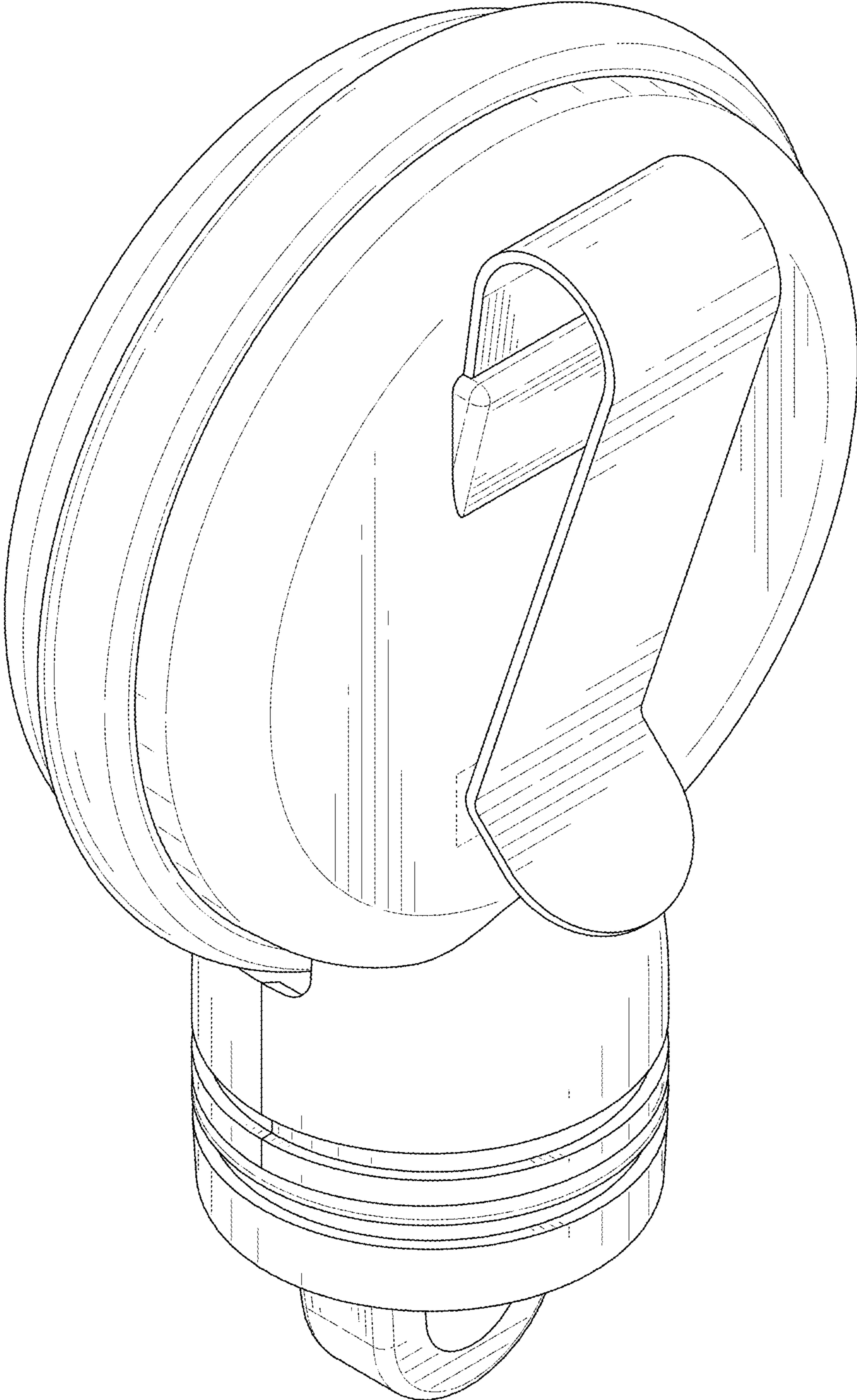


FIG. 2

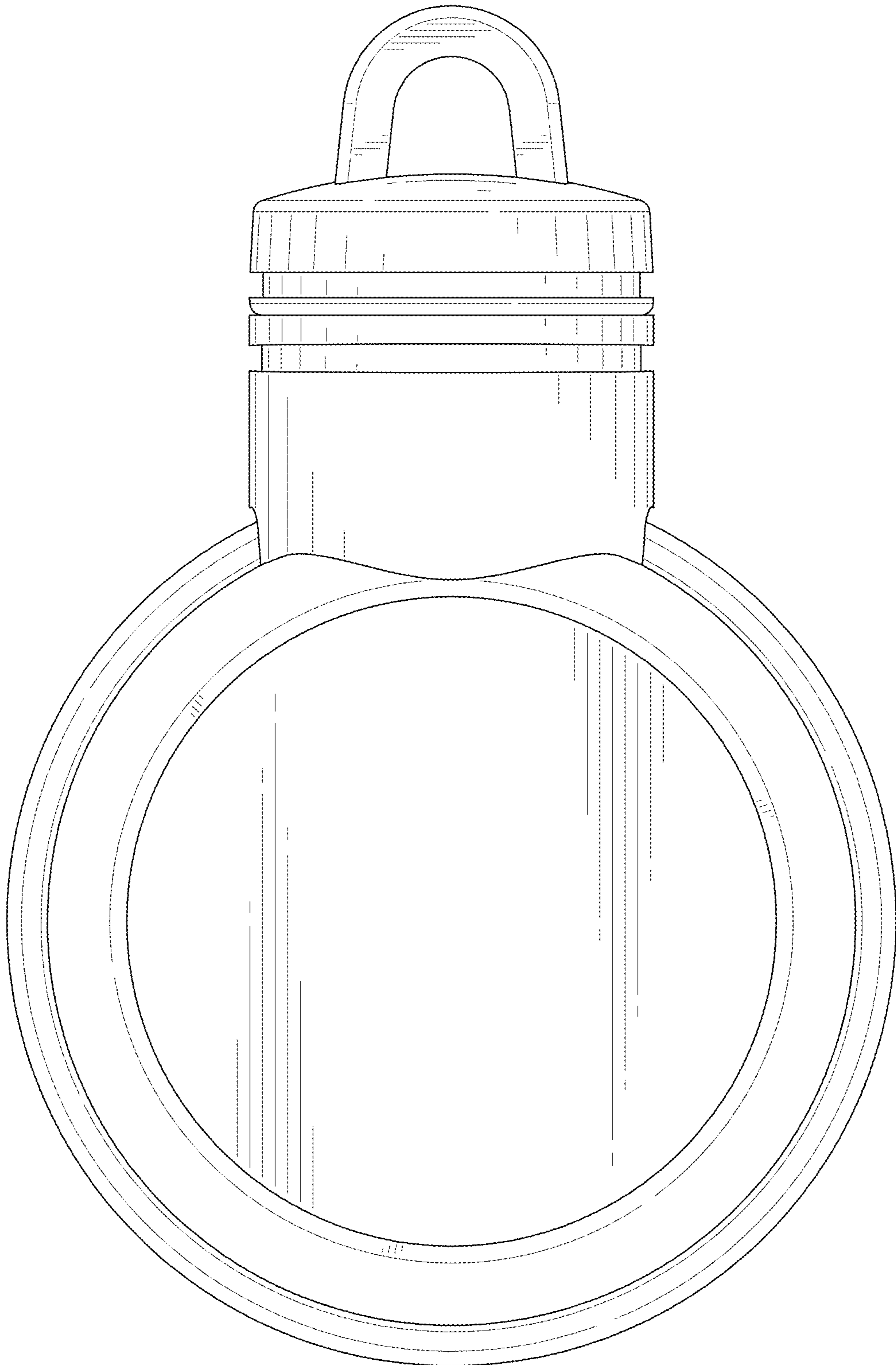


FIG. 3

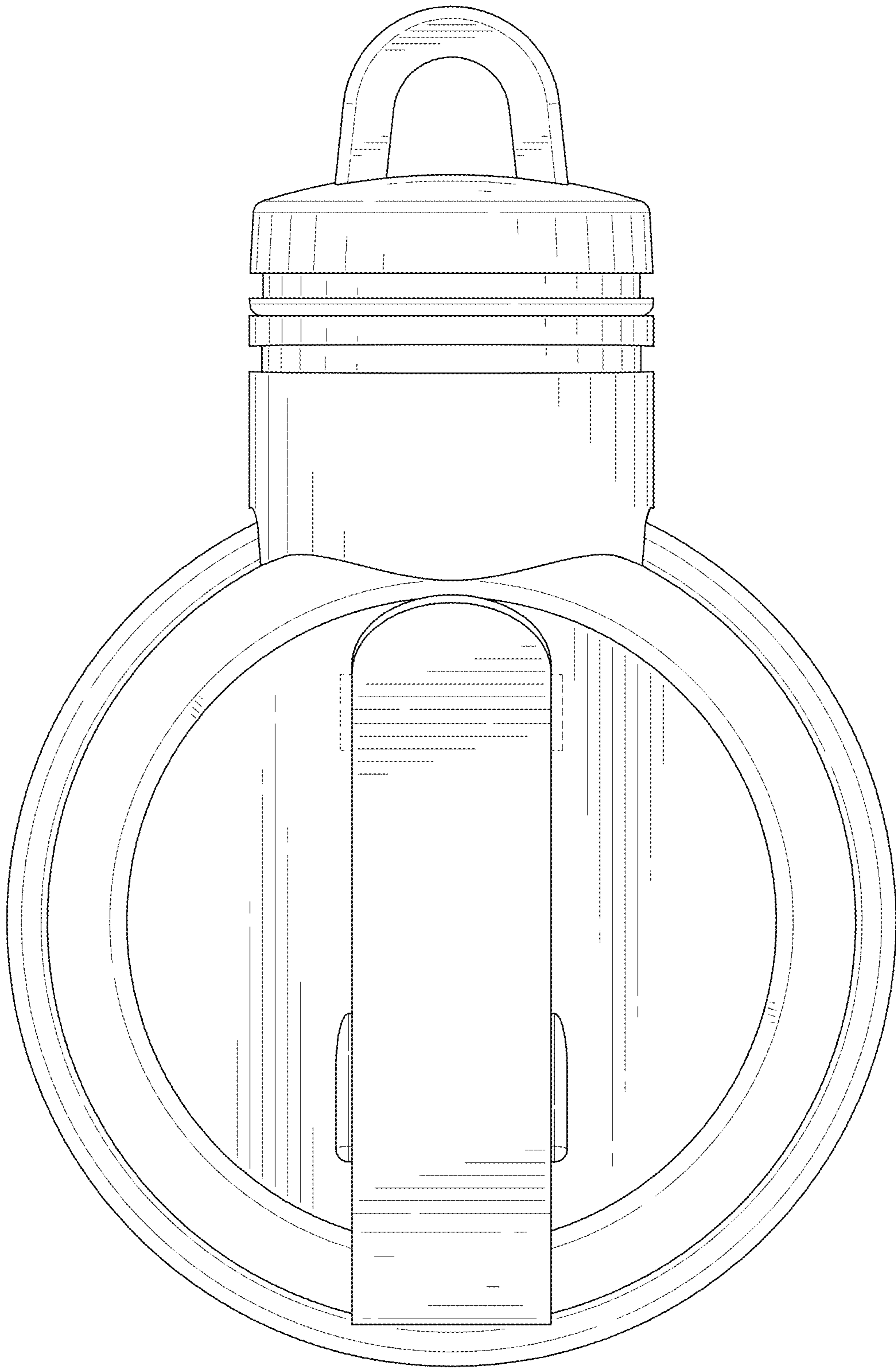


FIG. 4

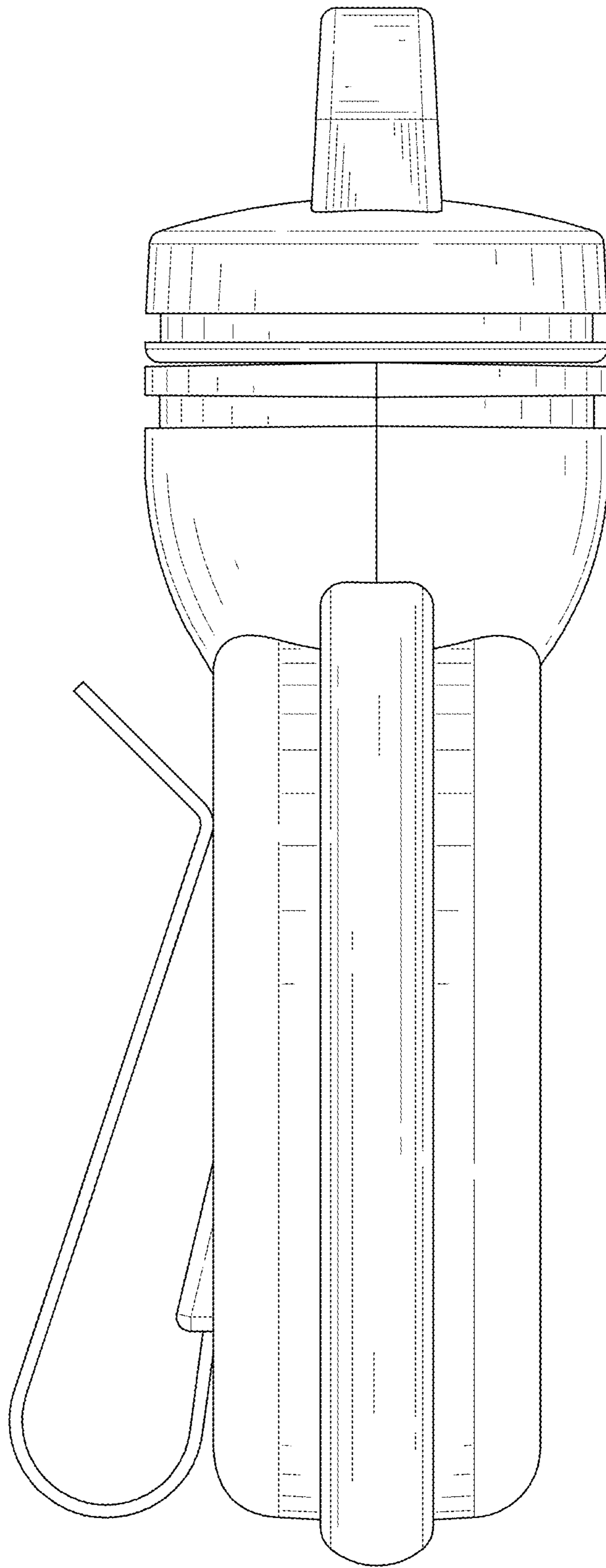


FIG. 5

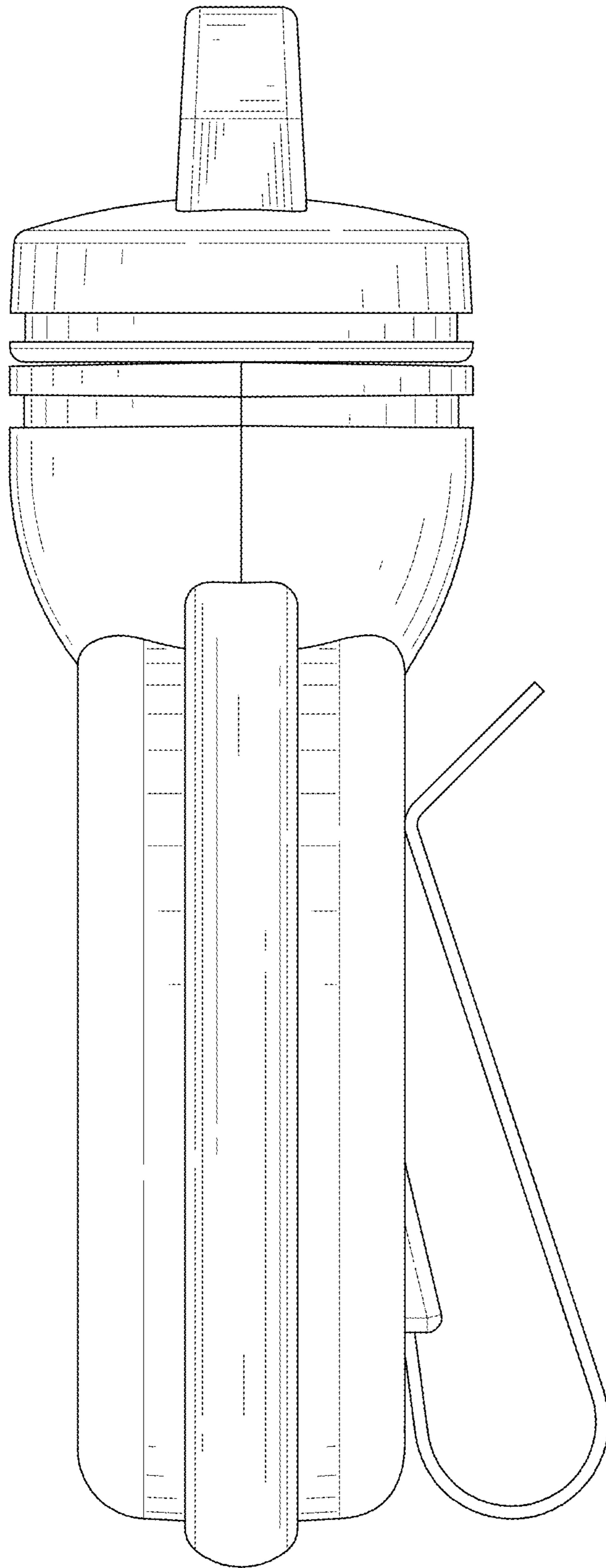


FIG. 6

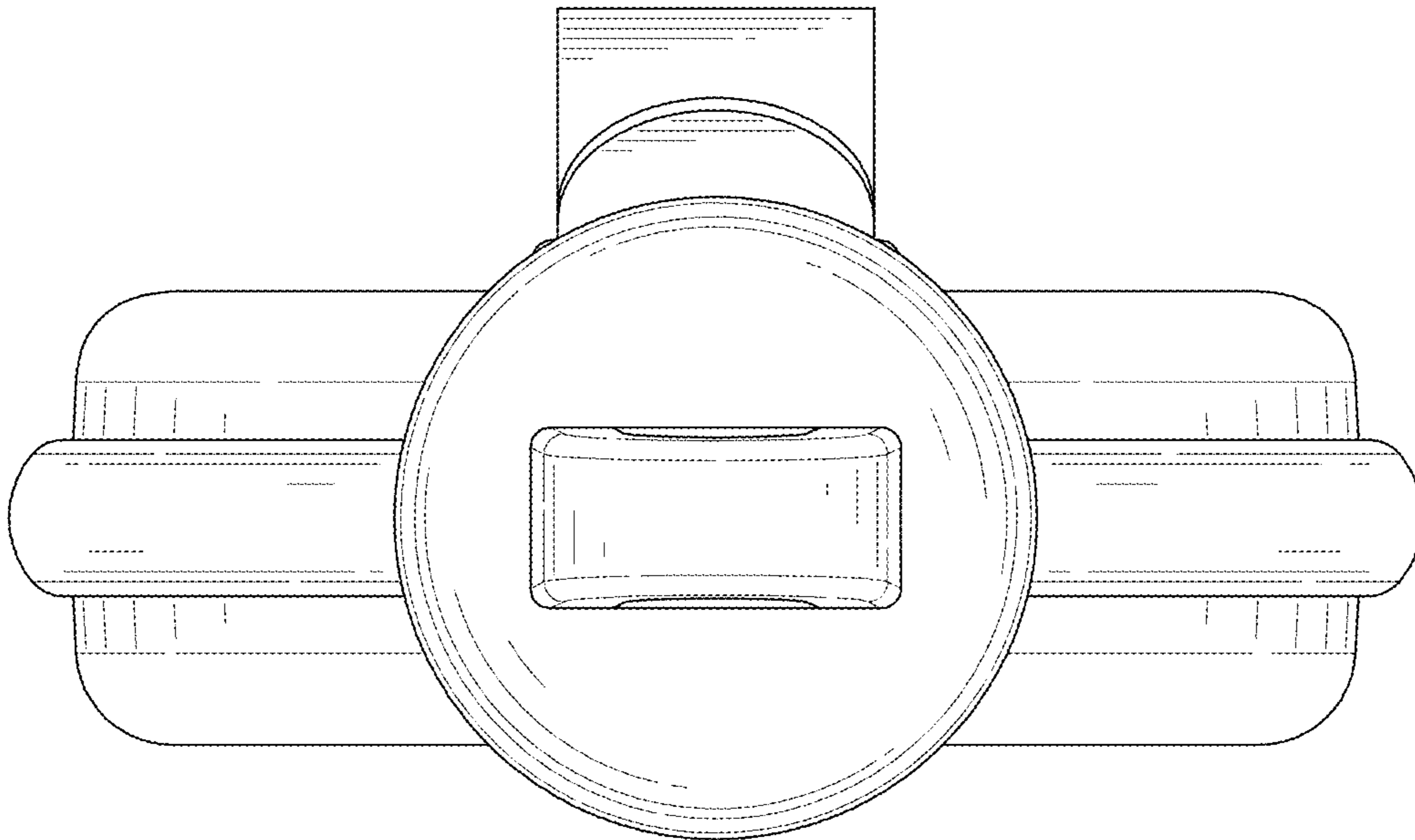


FIG. 7

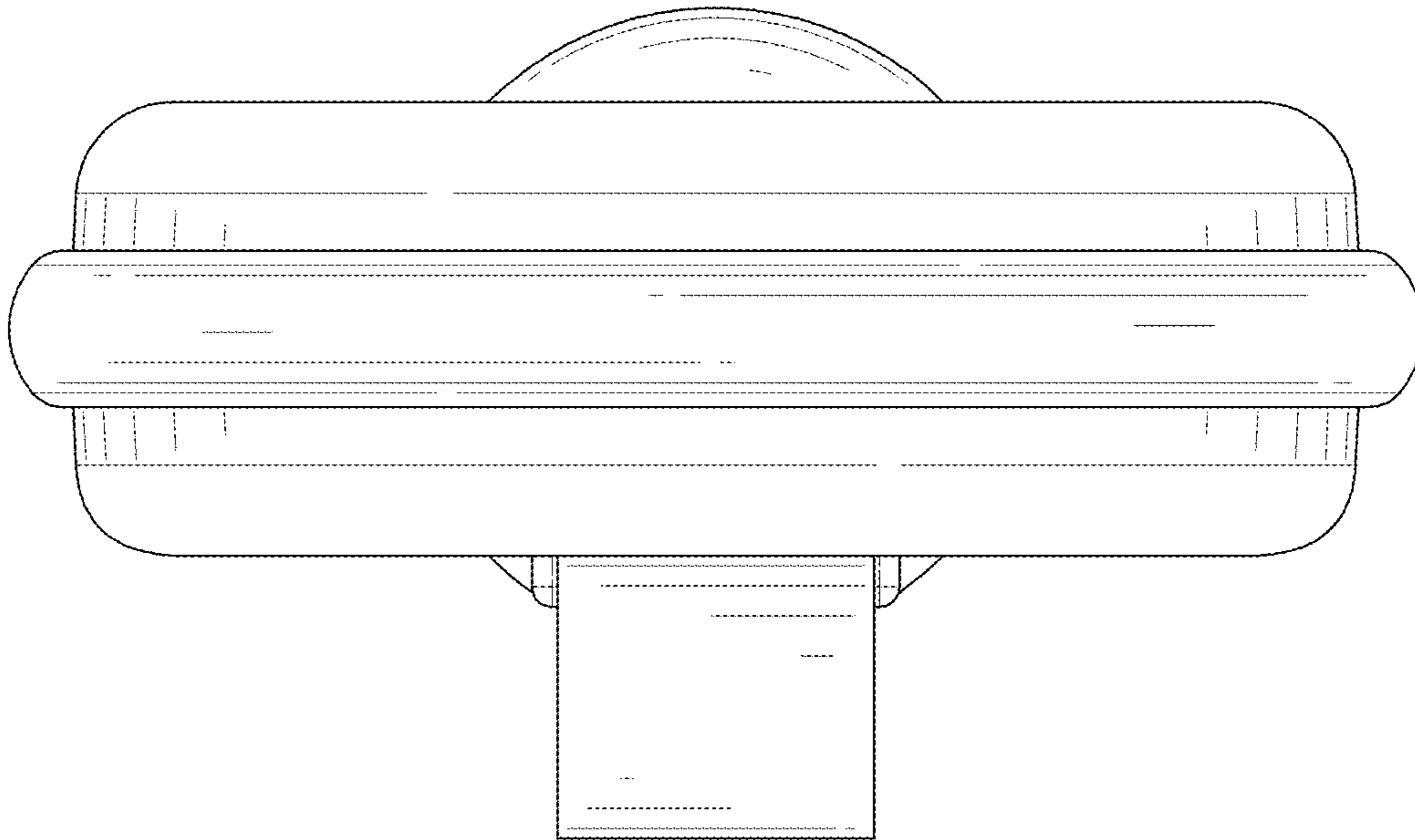


FIG. 8