



US00D912570S

(12) **United States Design Patent** (10) **Patent No.:** **US D912,570 S**
Farchione et al. (45) **Date of Patent:** **** Mar. 9, 2021**

(54) **PLANT CONTAINER**

(71) Applicant: **Opal Packaging Australia Pty Ltd**,
Mount Waverley (AU)

(72) Inventors: **Frank Farchione**, Mount Waverley
(AU); **Fabrizio Macali**, Mount
Waverley (AU); **Mark Moore**, Mount
Waverley (AU)

(73) Assignee: **OPAL PACKAGING AUSTRALIA
PTY LTD**, Mount Waverley (AU)

(**) Term: **15 Years**

(21) Appl. No.: **29/655,068**

(22) Filed: **Jun. 29, 2018**

(51) **LOC (13) Cl.** **11-02**

(52) **U.S. Cl.**
USPC **D11/143**

(58) **Field of Classification Search**
USPC D11/143, 151, 152, 153, 156, 164;
D6/403, 404, 405; D9/501, 549, 564,
D9/767, 772; D7/313, 509, 523, 547;
D34/39

CPC ... A47G 7/07; A01G 5/04; A01G 9/00; A01G
9/02; A01G 9/021; A01G 9/022; A01G
9/024; A01G 9/025; A01G 9/026; A01G
9/10; A01G 9/104; A01G 9/027; A01G
9/028; F21V 35/00; F21V 1/06

See application file for complete search history.

(56) **References Cited**

U.S. PATENT DOCUMENTS

1,448,362 A * 3/1923 Lanzit B65D 5/2047
229/125.39
1,707,528 A * 4/1929 La Bombard B65D 5/4287
229/117.26
2,540,707 A * 2/1951 Beukelman B65D 5/2033
47/72
3,306,518 A * 2/1967 Connellan A01G 9/026
229/116

(Continued)

Primary Examiner — Karen S Acker

Assistant Examiner — Steven B Reinholdt, Jr.

(74) *Attorney, Agent, or Firm* — Tucker Ellis LLP

(57) **CLAIM**

The ornamental design for a plant container, as shown and described.

DESCRIPTION

FIG. 1 is a plan view of a first embodiment of a plant container showing our new design in an unfolded configuration; the opposite plan view being a mirror image thereto. FIG. 2 is a top view of the plant container of FIG. 1 in a folded configuration.

FIG. 3 is a bottom view thereof.

FIG. 4 is a front view thereof.

FIG. 5 is a rear view thereof.

FIG. 6 is a first side view thereof.

FIG. 7 is a second side view thereof.

FIG. 8 is a top, front and side perspective view thereof.

FIG. 9 is a plan view of a second embodiment of the plant container in an unfolded configuration; the opposite plan view being a mirror image thereto.

FIG. 10 is a top view of the plant container of FIG. 10 in a folded configuration.

FIG. 11 is a bottom view thereof.

FIG. 12 is a front view thereof.

FIG. 13 is a rear view thereof.

FIG. 14 is a first side view thereof.

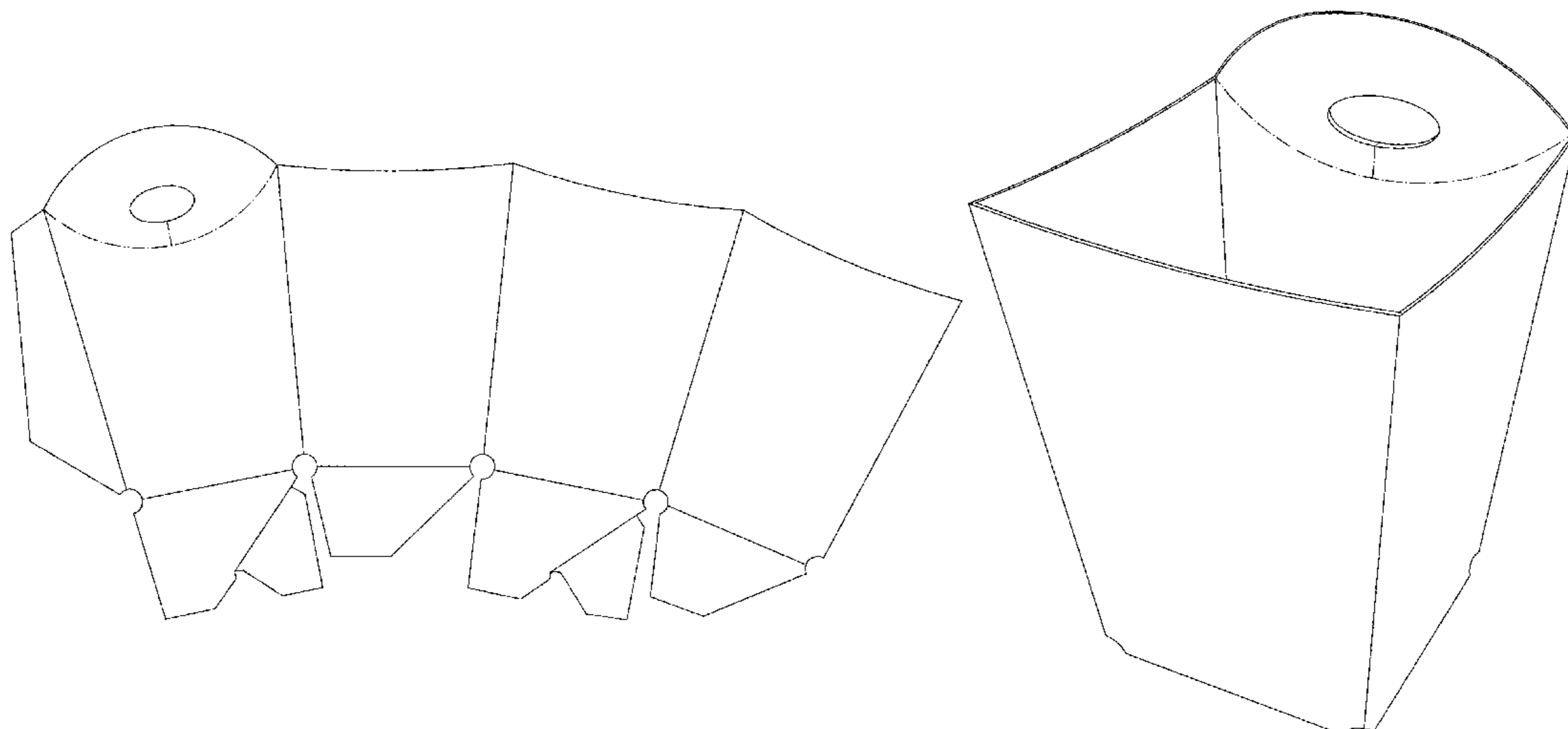
FIG. 15 is a second side view thereof; and,

FIG. 16 is a top, front and side perspective view thereof.

The evenly spaced broken lines in FIGS. 9-16 depict portions of the plant container that form no part of the claimed design.

The dot-dashed lines depict lines of weakness in the plant container that form no part of the claim.

1 Claim, 16 Drawing Sheets



(56)

References Cited

U.S. PATENT DOCUMENTS

D651,937 S * 1/2012 Hashimoto D11/143
8,683,741 B2 * 4/2014 Castagno A01G 13/043
206/423
2016/0325533 A1 * 11/2016 Scharfenort B65D 5/745

* cited by examiner

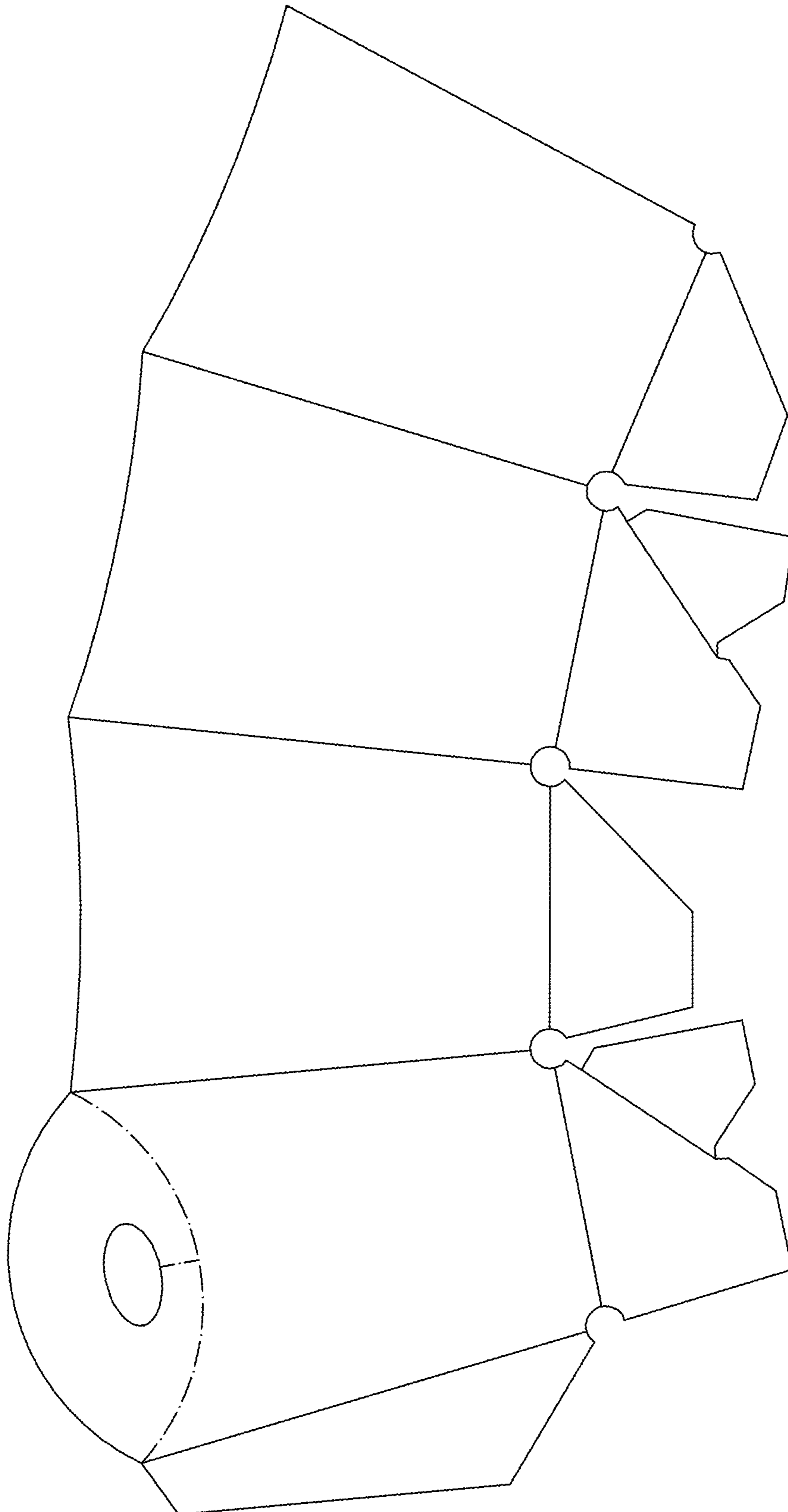


FIG. 1

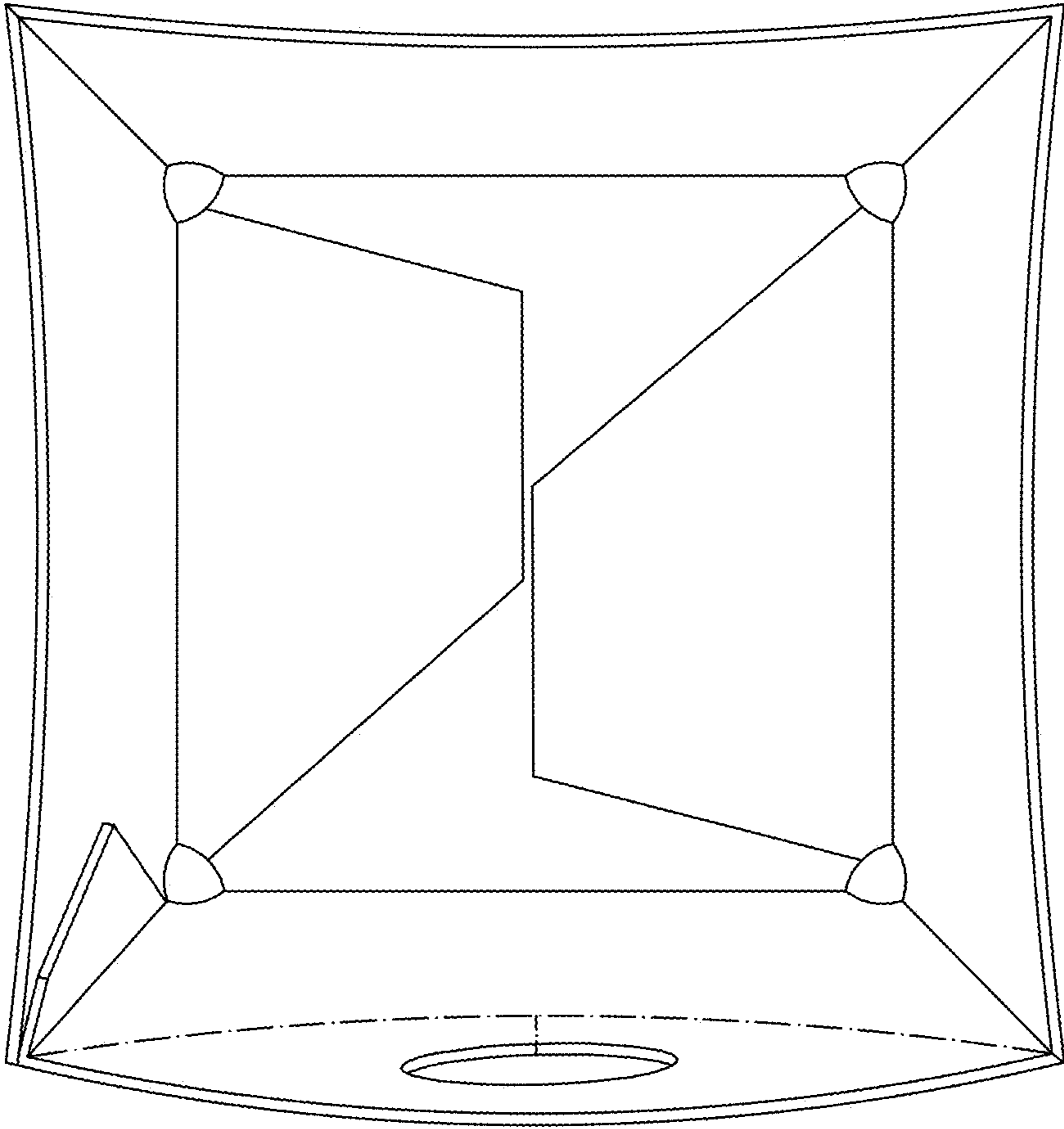


FIG. 2

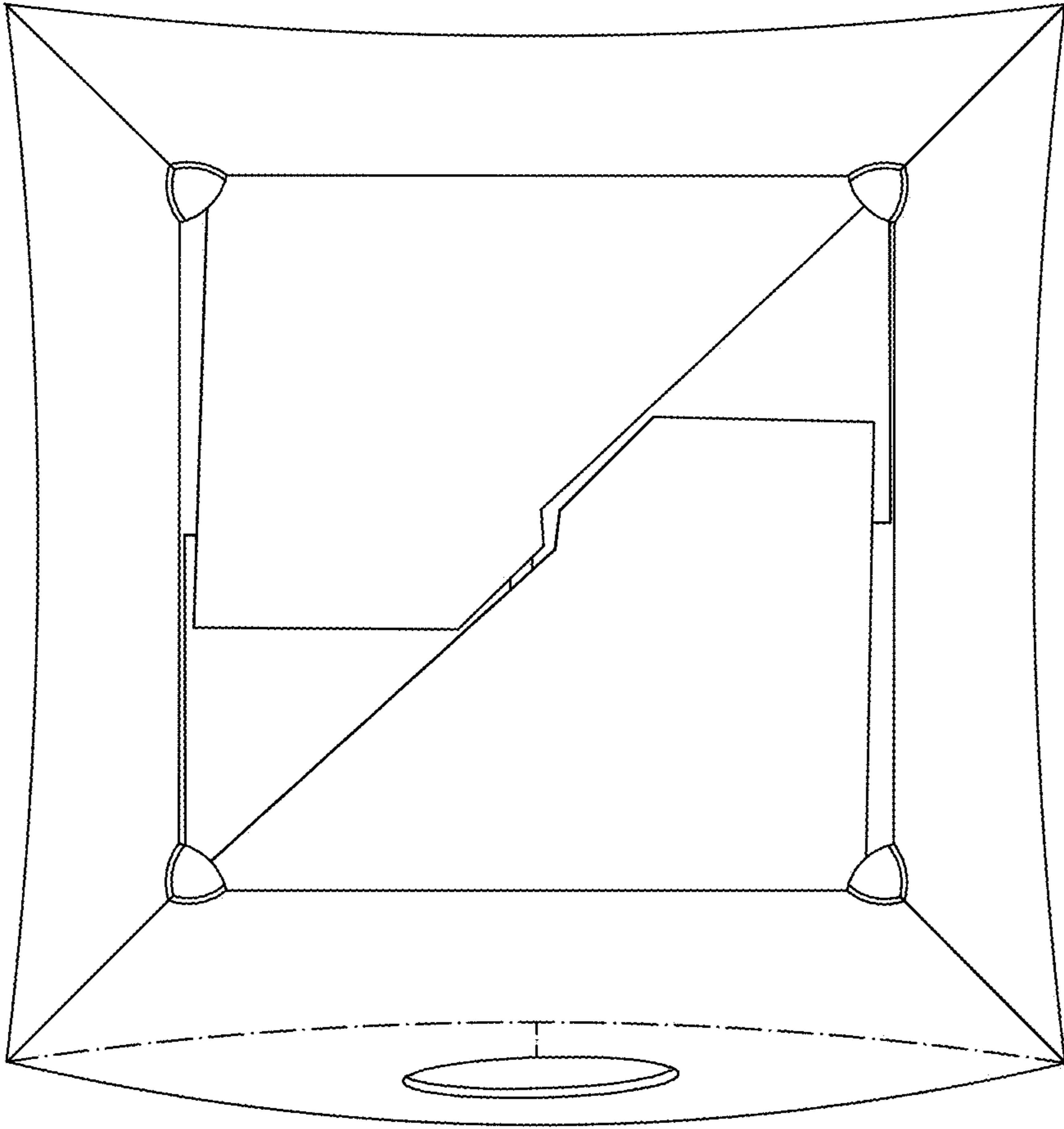


FIG. 3

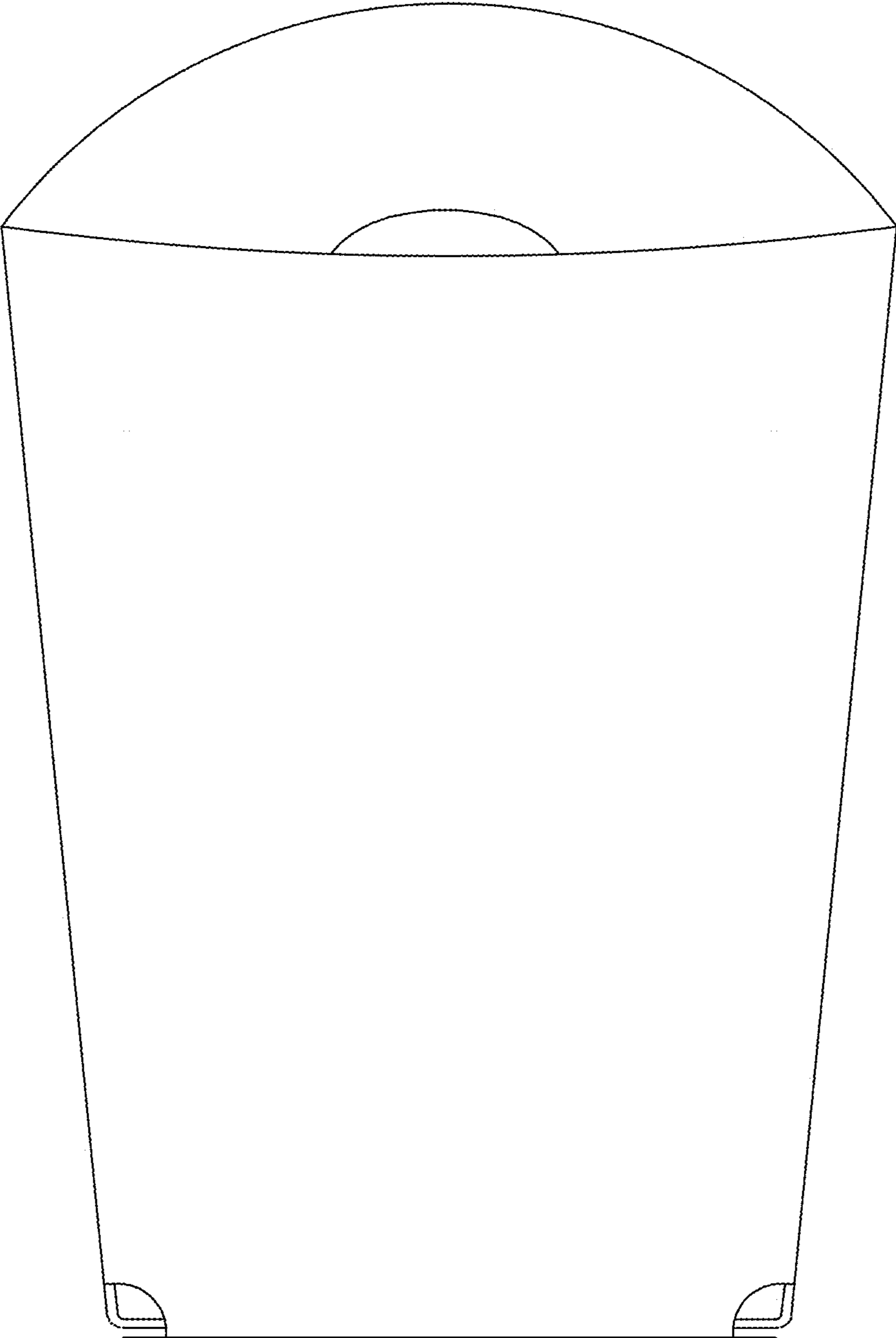


FIG. 4

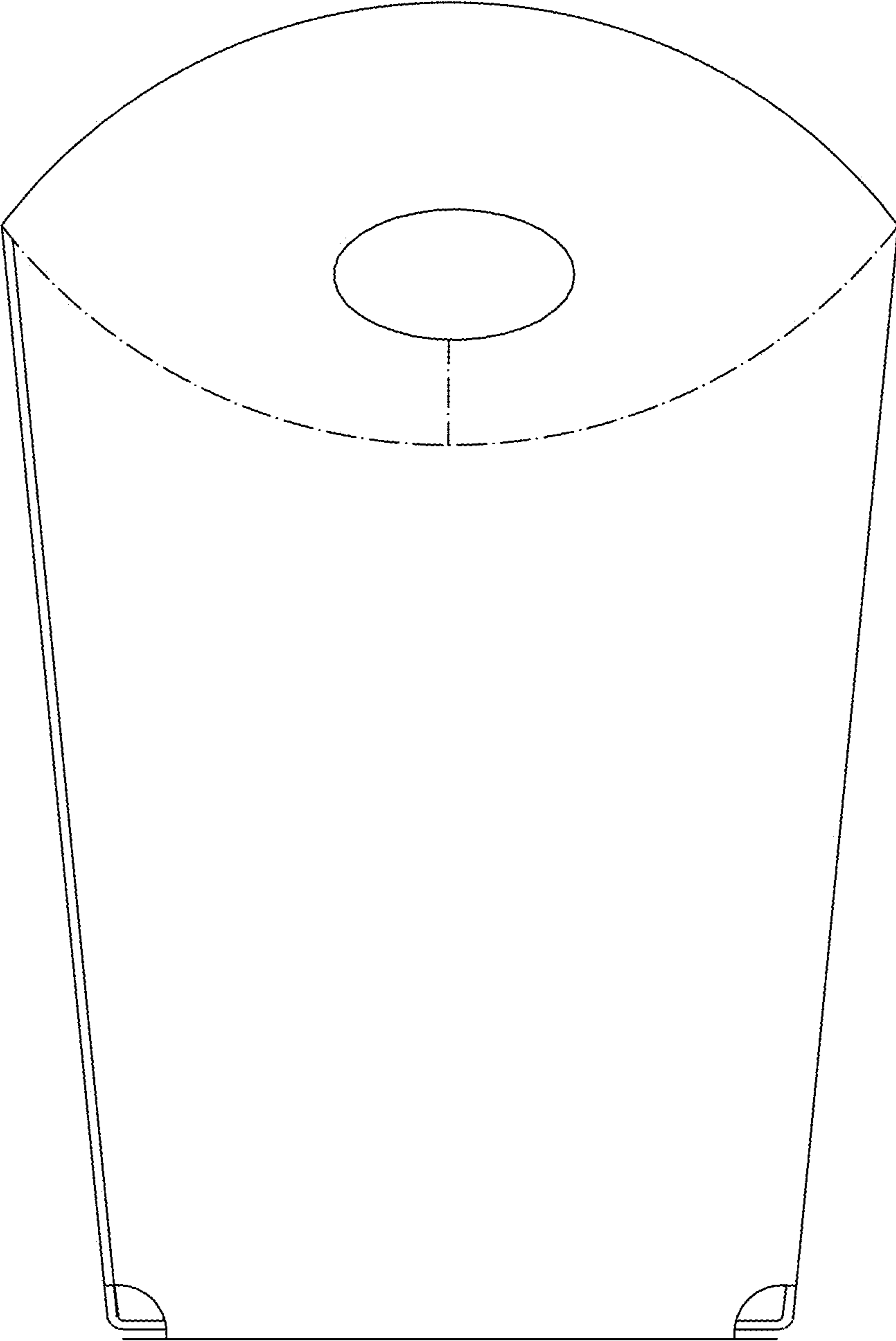


FIG. 5

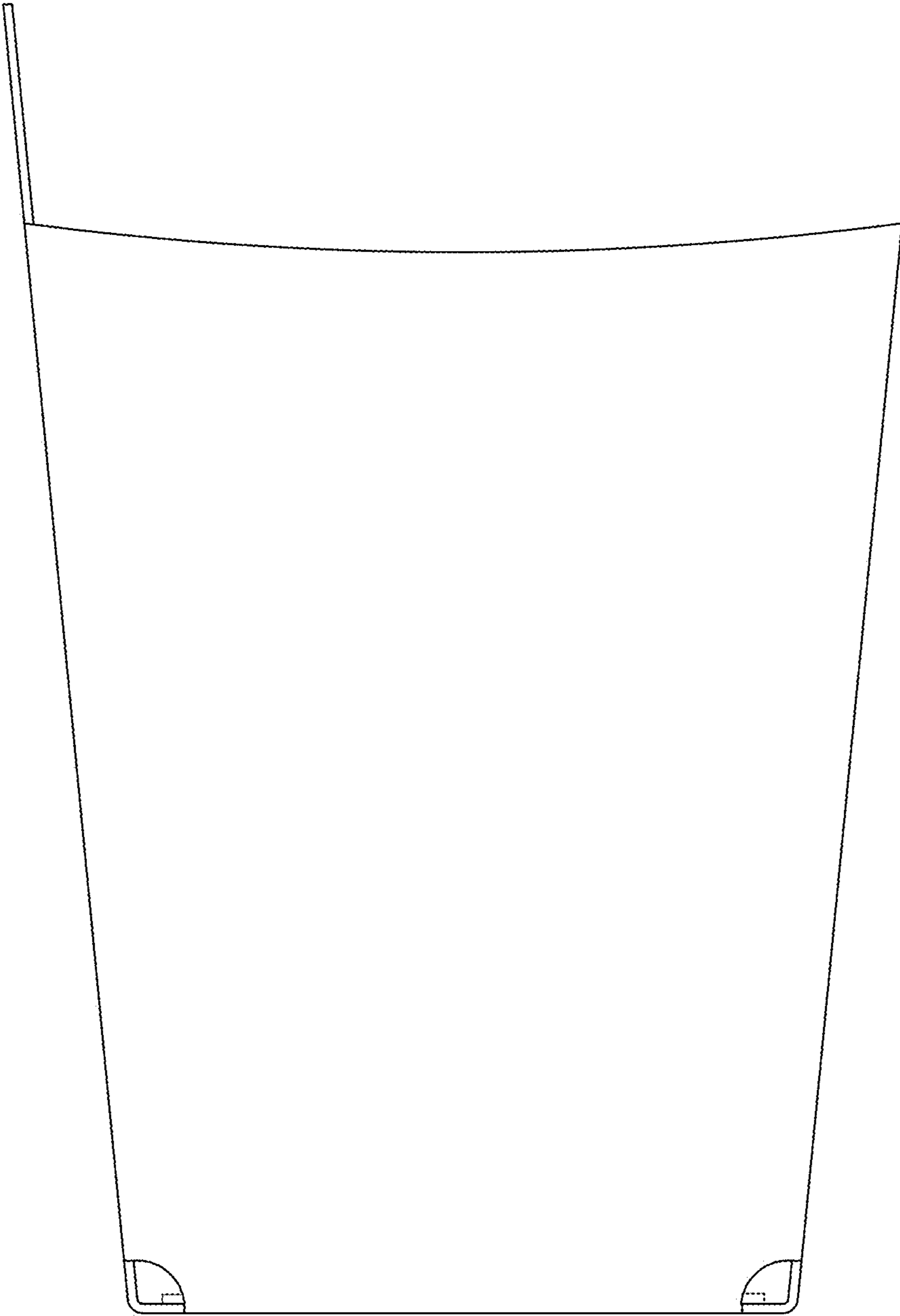


FIG. 6

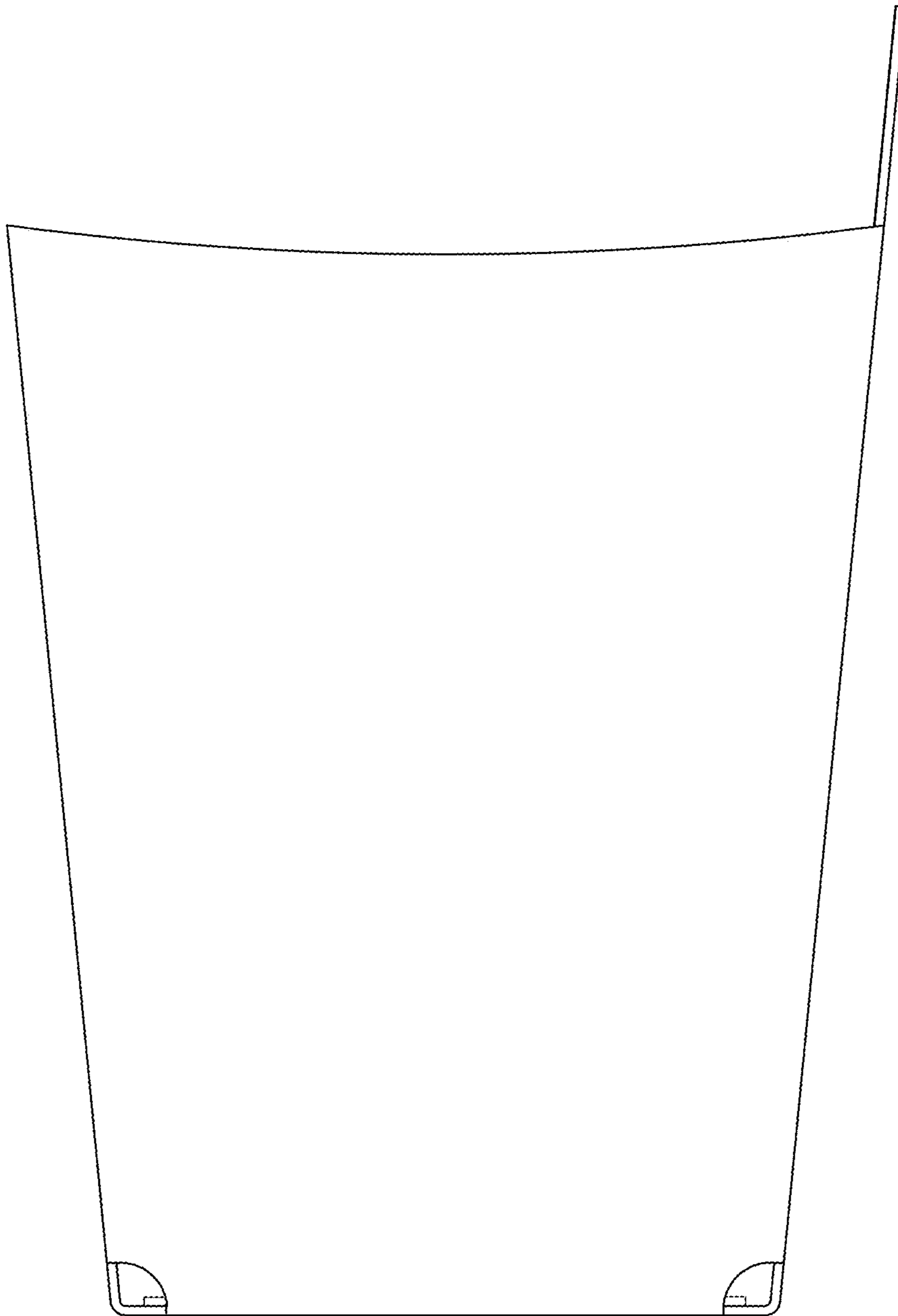


FIG. 7

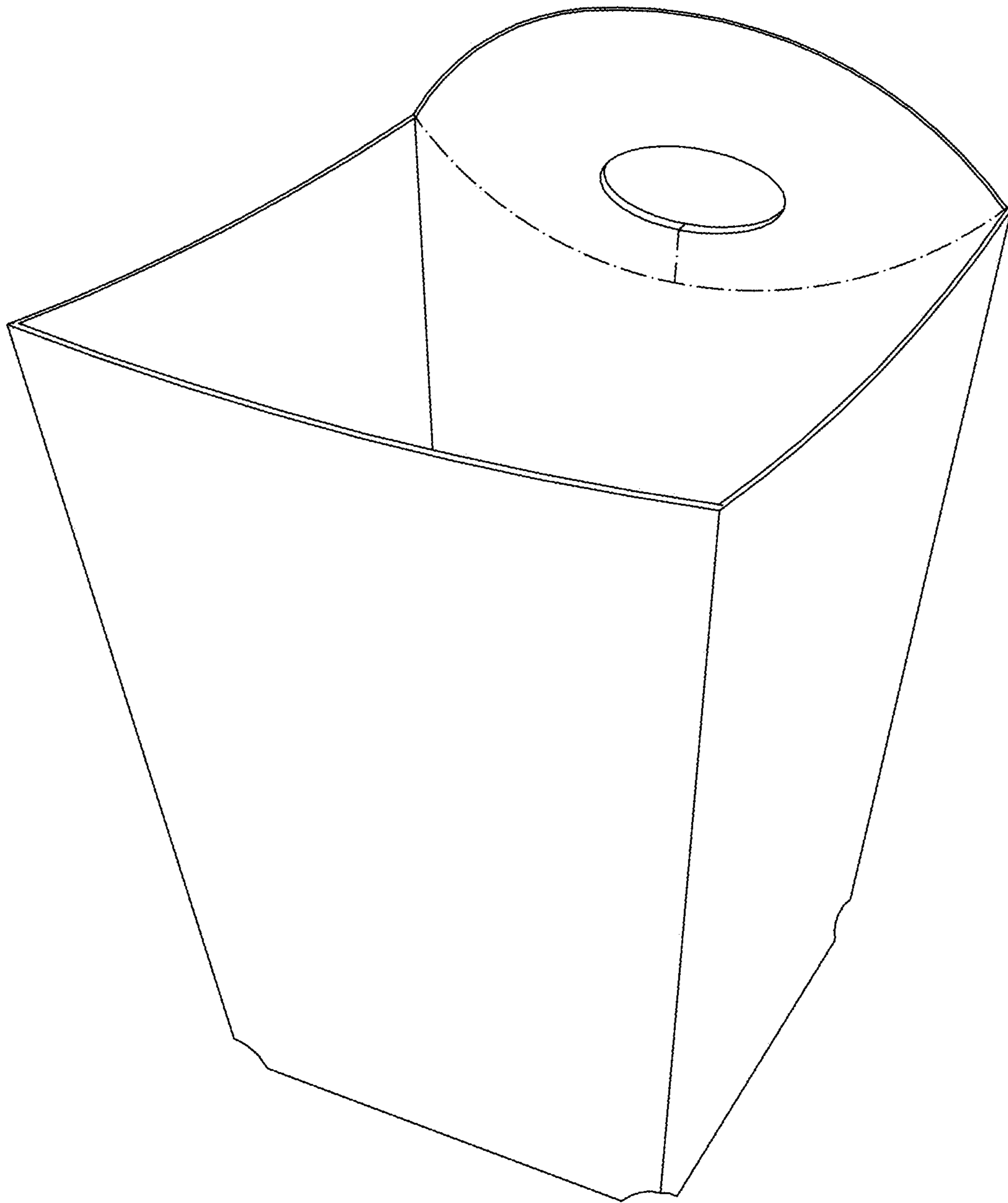


FIG. 8

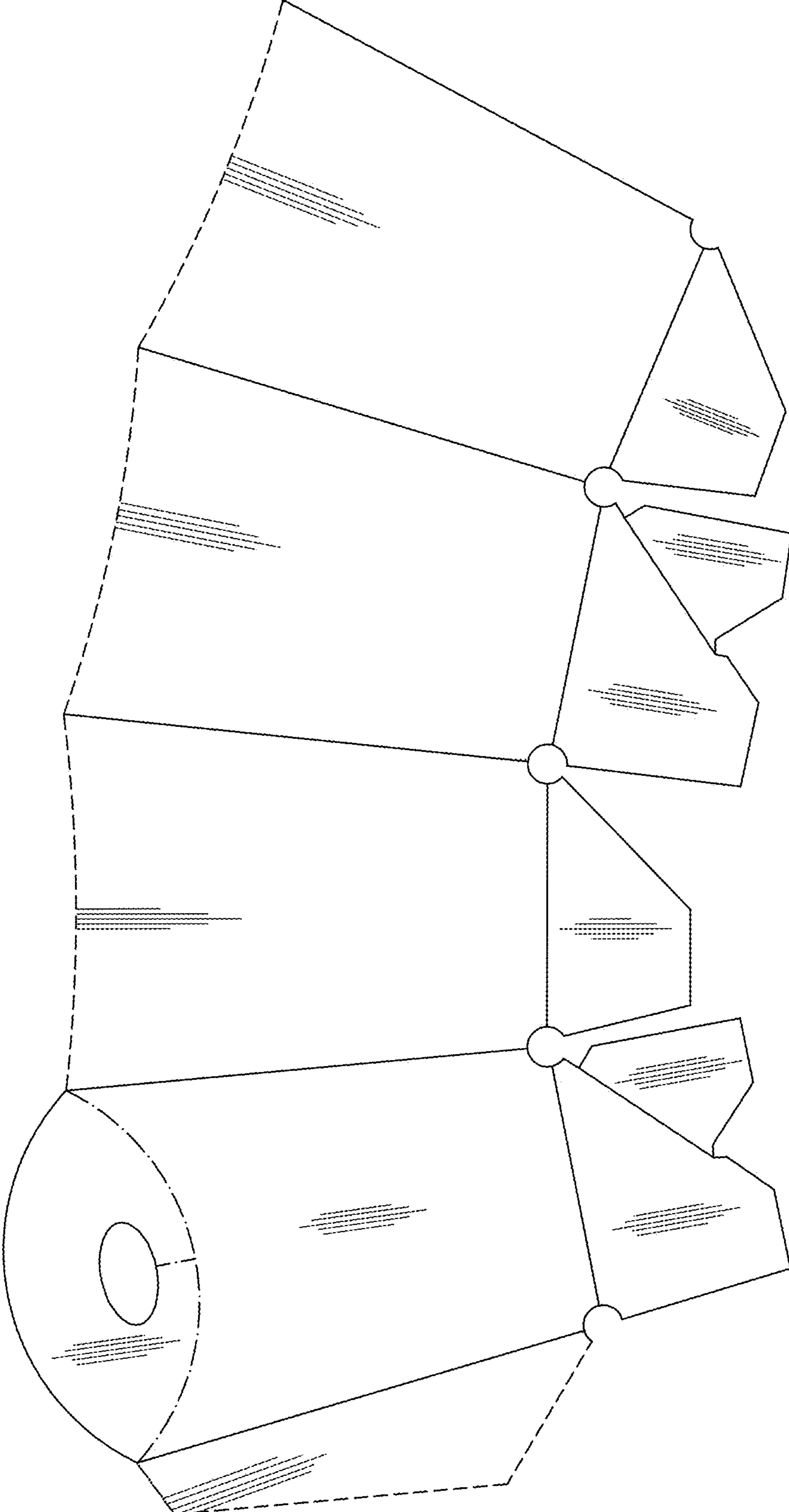


FIG. 9

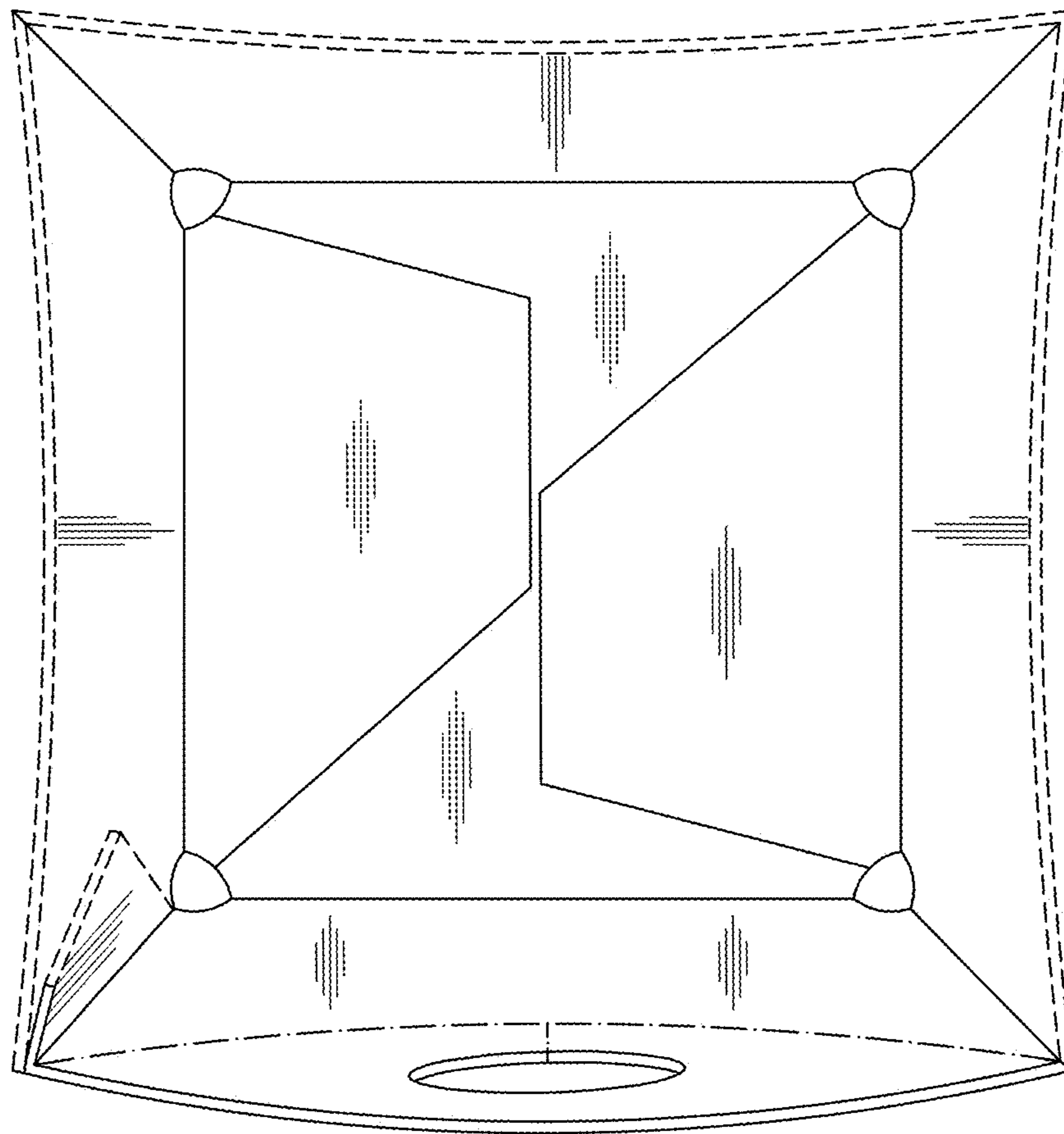


FIG. 10

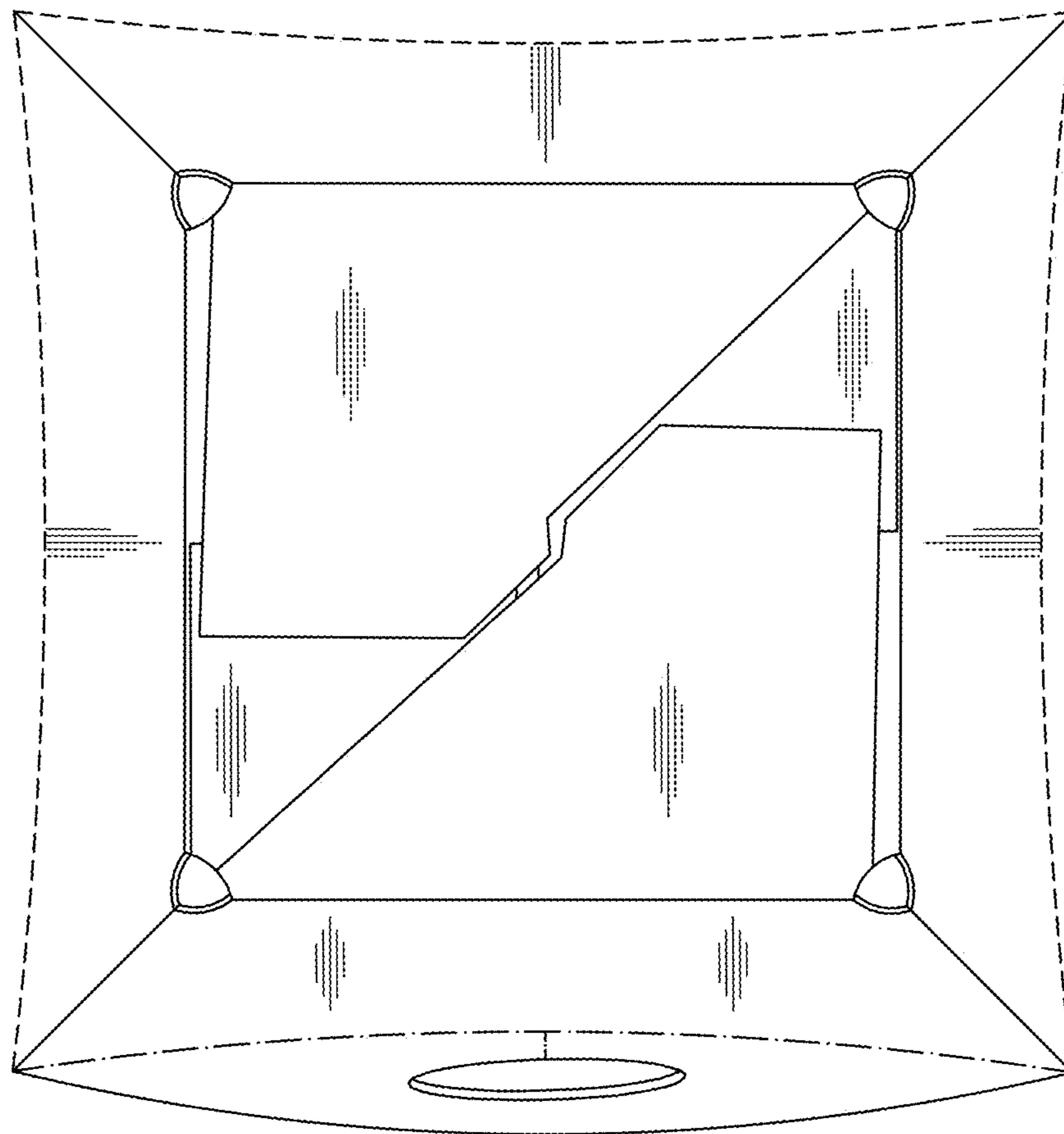


FIG. 11

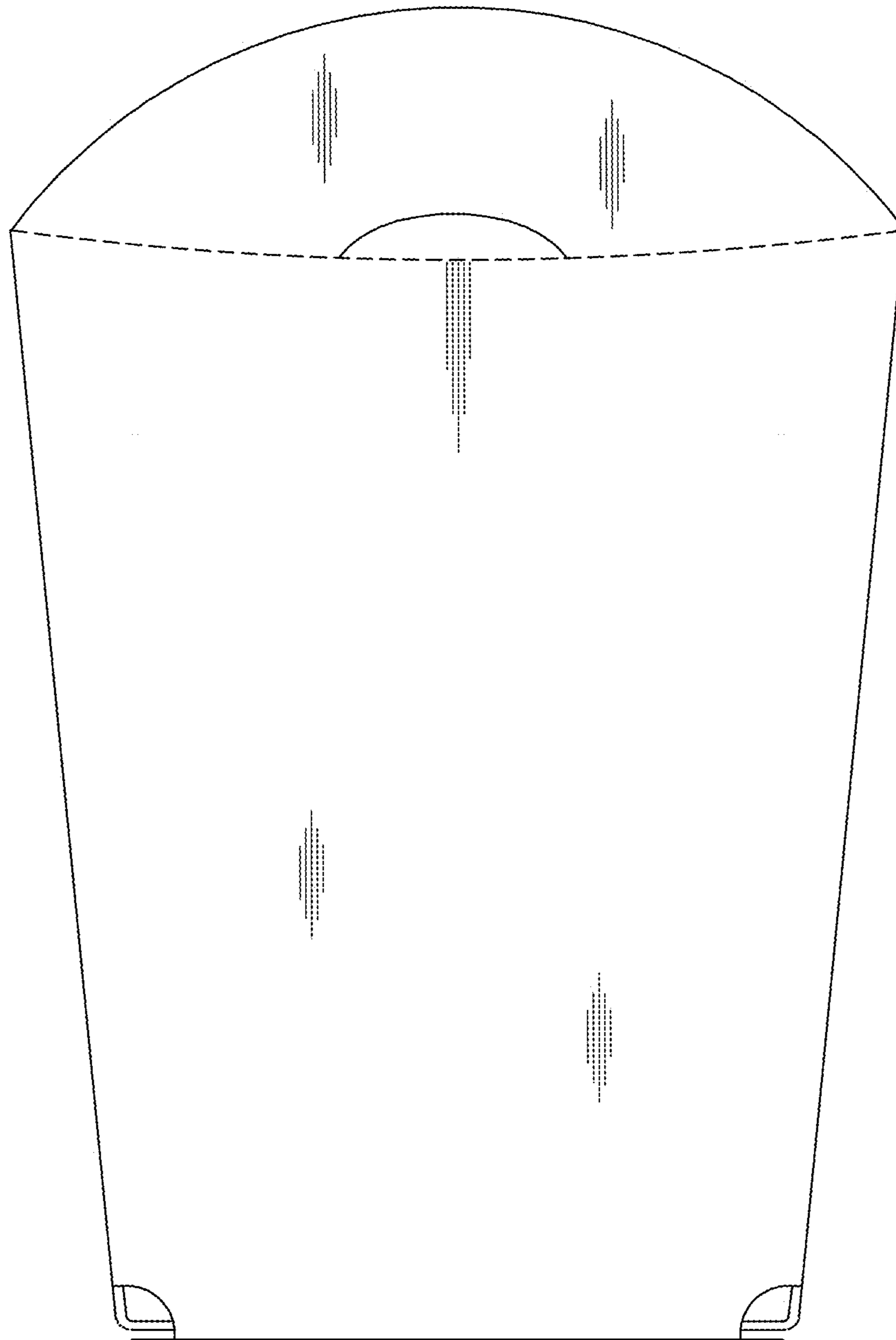


FIG. 12

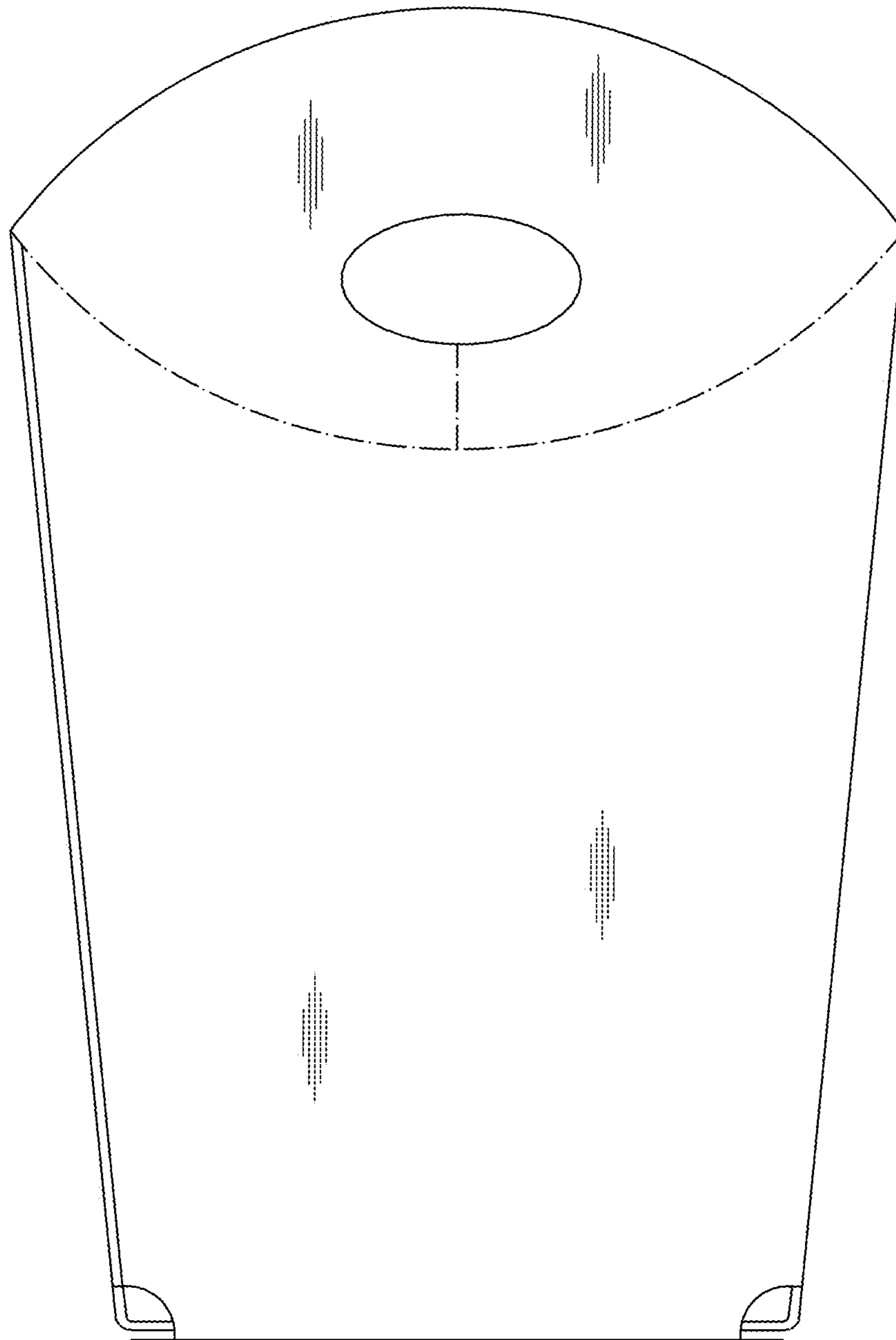


FIG. 13

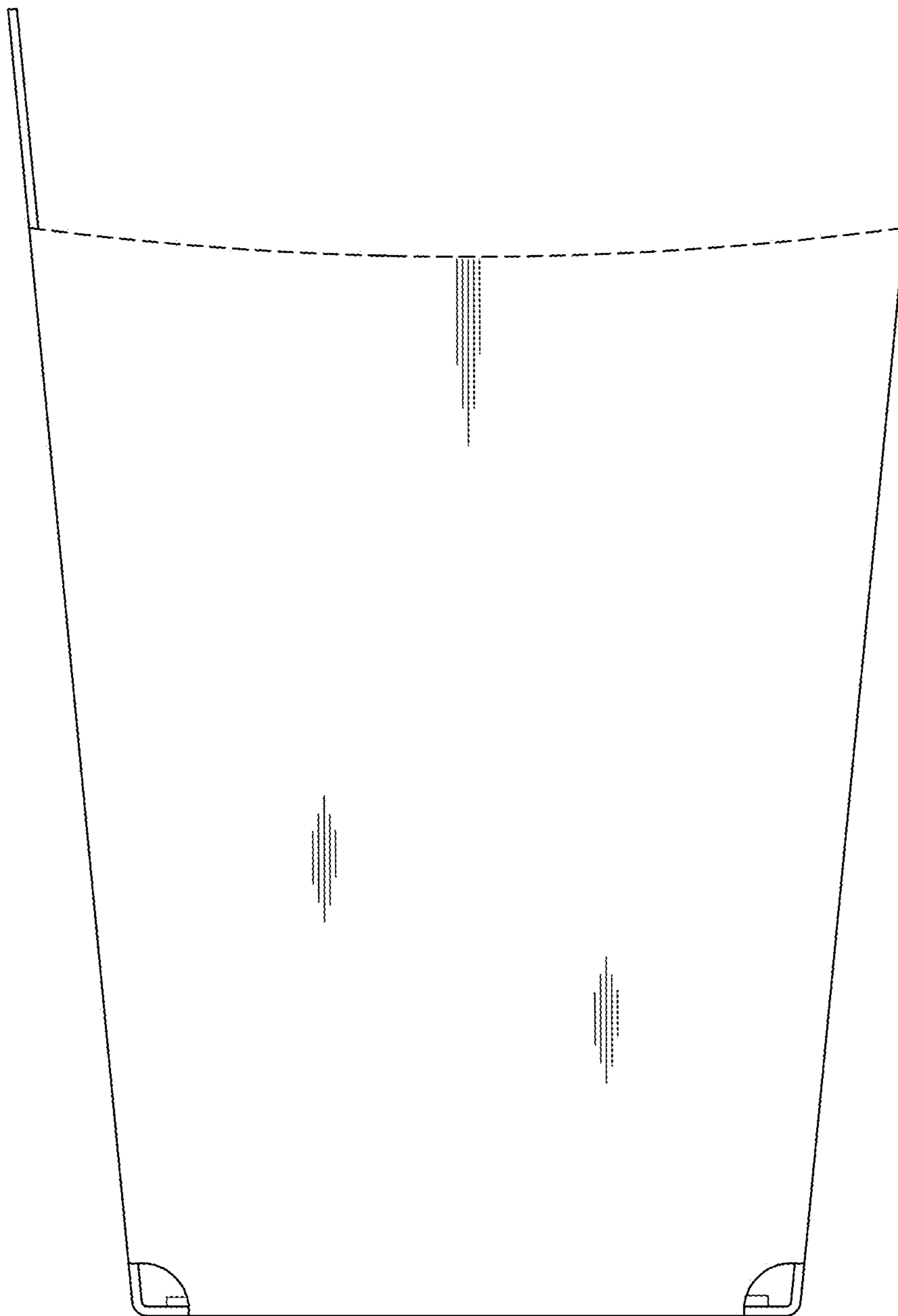


FIG. 14

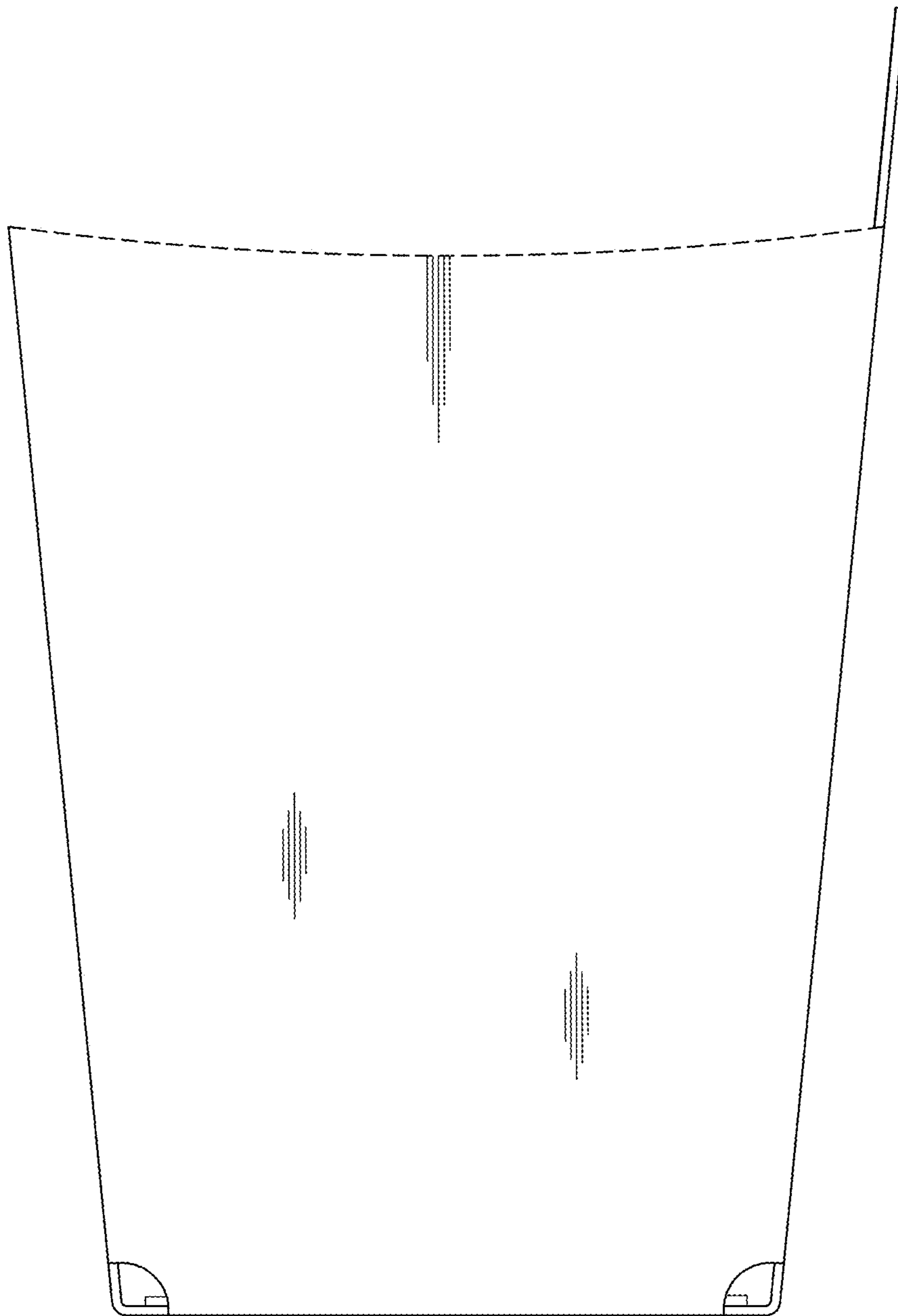


FIG. 15

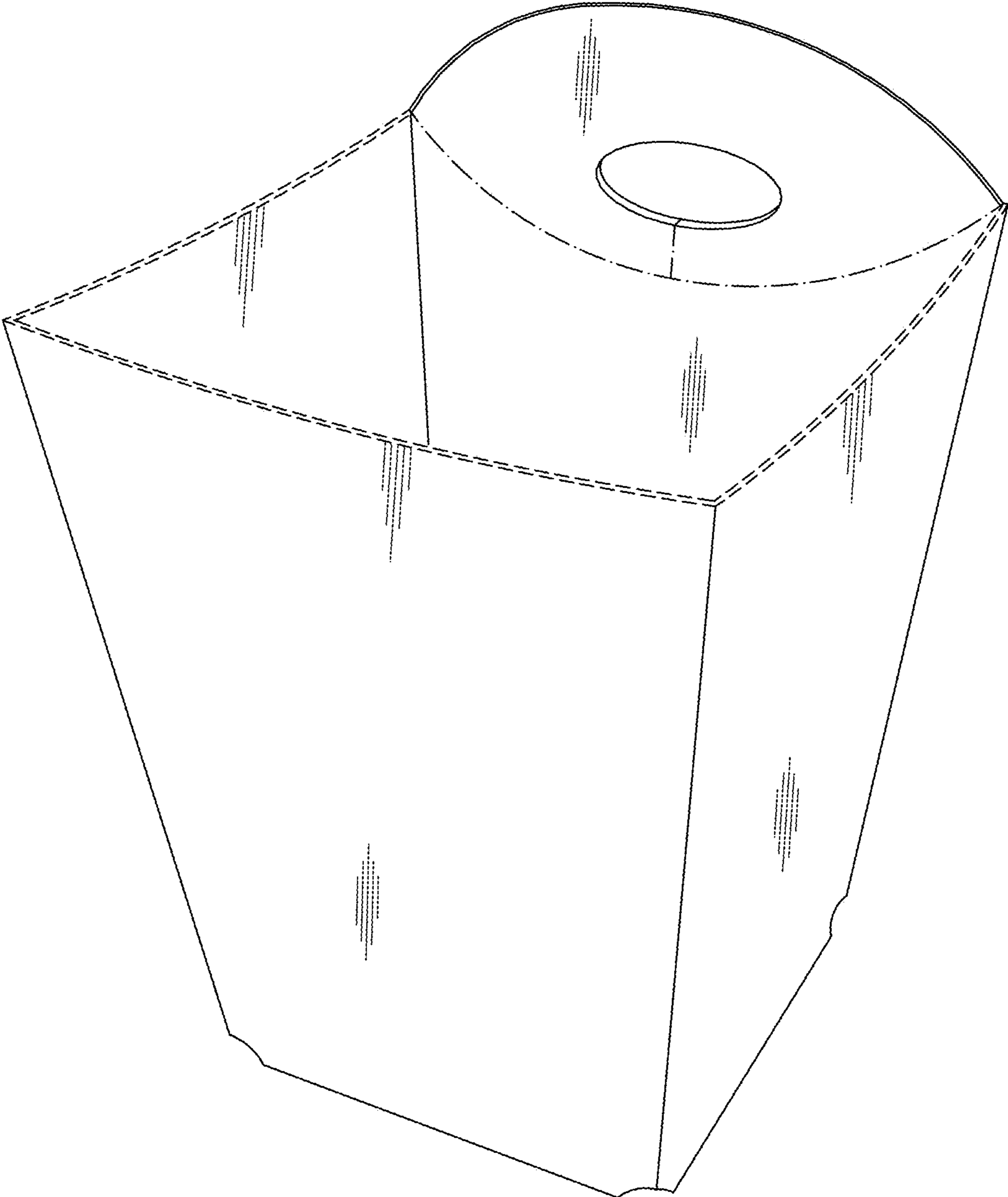


FIG. 16