



US00D912564S

(12) **United States Design Patent** (10) **Patent No.:** **US D912,564 S**
Morin (45) **Date of Patent:** **** Mar. 9, 2021**

(54) **BRACELET**
(71) Applicant: **CARTIER INTERNATIONAL AG,**
Steinhausen (CH)
(72) Inventor: **Flora Morin,** Conflans Sainte Honorine
(FR)
(73) Assignee: **CARTIER INTERNATIONAL AG,**
Steinhausen (CH)
(**) Term: **15 Years**
(21) Appl. No.: **29/728,044**
(22) Filed: **Mar. 16, 2020**

(30) **Foreign Application Priority Data**
Sep. 16, 2019 (WO) 87338
(51) **LOC (13) Cl.** **11-01**
(52) **U.S. Cl.**
USPC **D11/6**
(58) **Field of Classification Search**
USPC D11/1-12, 15-17, 20, 26, 28, 34-39;
D28/41; D24/194, 195
CPC A44C 5/00; A44C 11/00; A44C 11/002;
A44C 13/00; A44C 15/005; A44C
15/0055; A44C 15/006
See application file for complete search history.

(56) **References Cited**
U.S. PATENT DOCUMENTS
D329,399 S * 9/1992 Bulgari D11/4
D358,562 S * 5/1995 Bulgari D11/3
D373,095 S * 8/1996 Bulgari D11/6
D383,693 S * 9/1997 Bulgari D11/12
D383,694 S * 9/1997 Bulgari D11/12

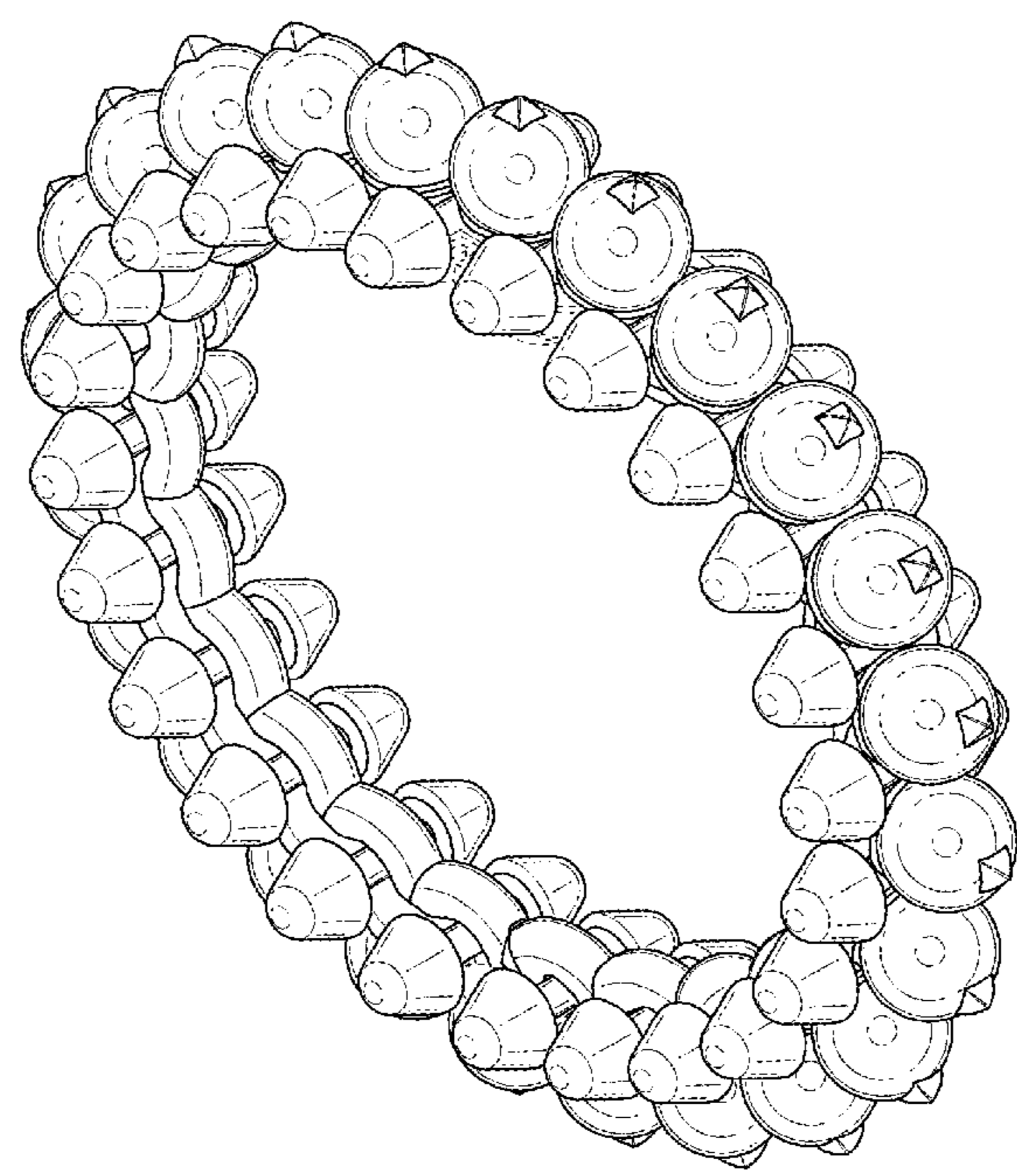
D470,790 S * 2/2003 Schmidt D11/11
D511,473 S * 11/2005 Weinacht D11/11
D690,058 S * 9/2013 Littrell D11/11
RE45,079 E * 8/2014 Ferlise D11/5
D720,645 S * 1/2015 Wempe D11/34
D722,905 S * 2/2015 Wempe D11/34
D722,906 S * 2/2015 Wempe D11/34
D729,683 S * 5/2015 Wempe D11/26
D729,684 S * 5/2015 Wempe D11/34
D748,000 S * 1/2016 Izen D11/11
2005/0069844 A1 * 3/2005 Charles A44C 5/0015
434/127
2005/0166636 A1 * 8/2005 Lazor A44C 5/0007
63/38
2009/0162816 A1 * 6/2009 Charles A44C 5/0015
434/127
2020/0022469 A1 * 1/2020 Alstrom A44C 15/0015

* cited by examiner
Primary Examiner — Llorellys Martinez
(74) *Attorney, Agent, or Firm* — Oliff PLC

(57) **CLAIM**
The ornamental design for a bracelet, as shown and described.

DESCRIPTION
FIG. 1 is a front, right-side, top perspective view of the bracelet;
FIG. 2 is a front elevational view thereof;
FIG. 3 is a rear elevational view thereof;
FIG. 4 is a left-side elevational view thereof;
FIG. 5 is a right-side elevational view thereof;
FIG. 6 is a top plan view thereof; and,
FIG. 7 is a bottom plan view thereof.
The broken lines in the drawings illustrate portions of the bracelet that form no part of the claimed design.

1 Claim, 7 Drawing Sheets



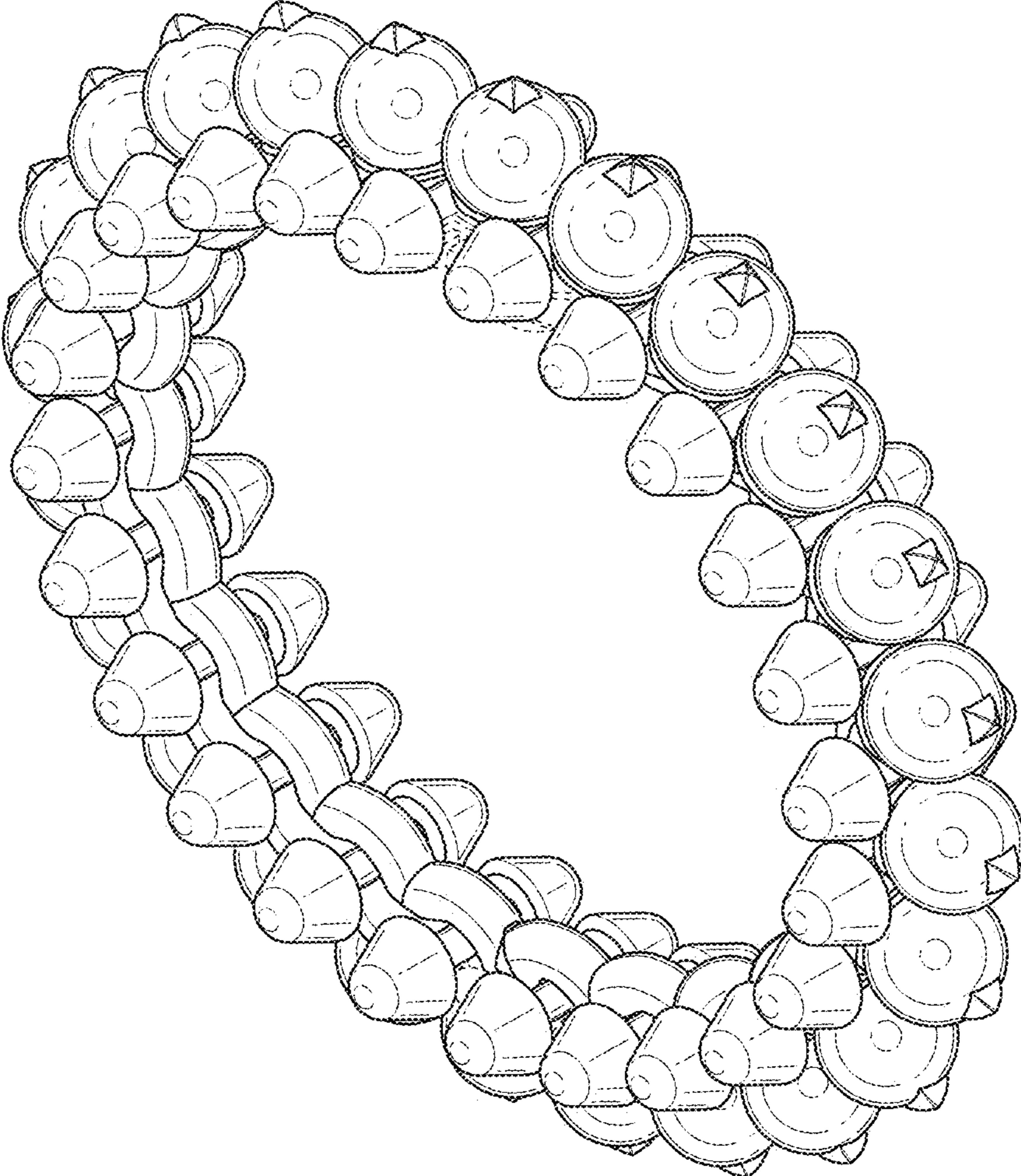


FIG. 1

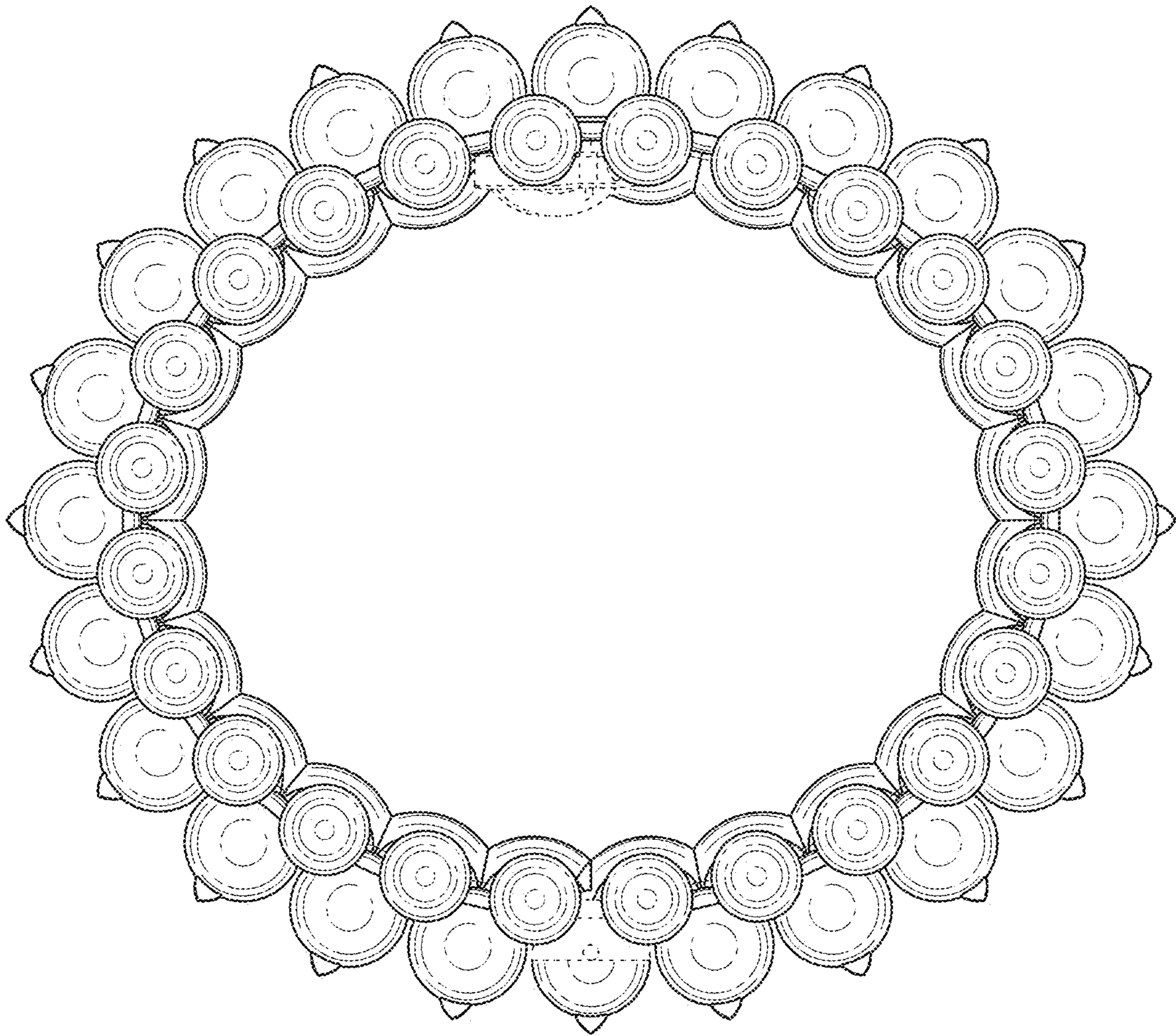


FIG. 2

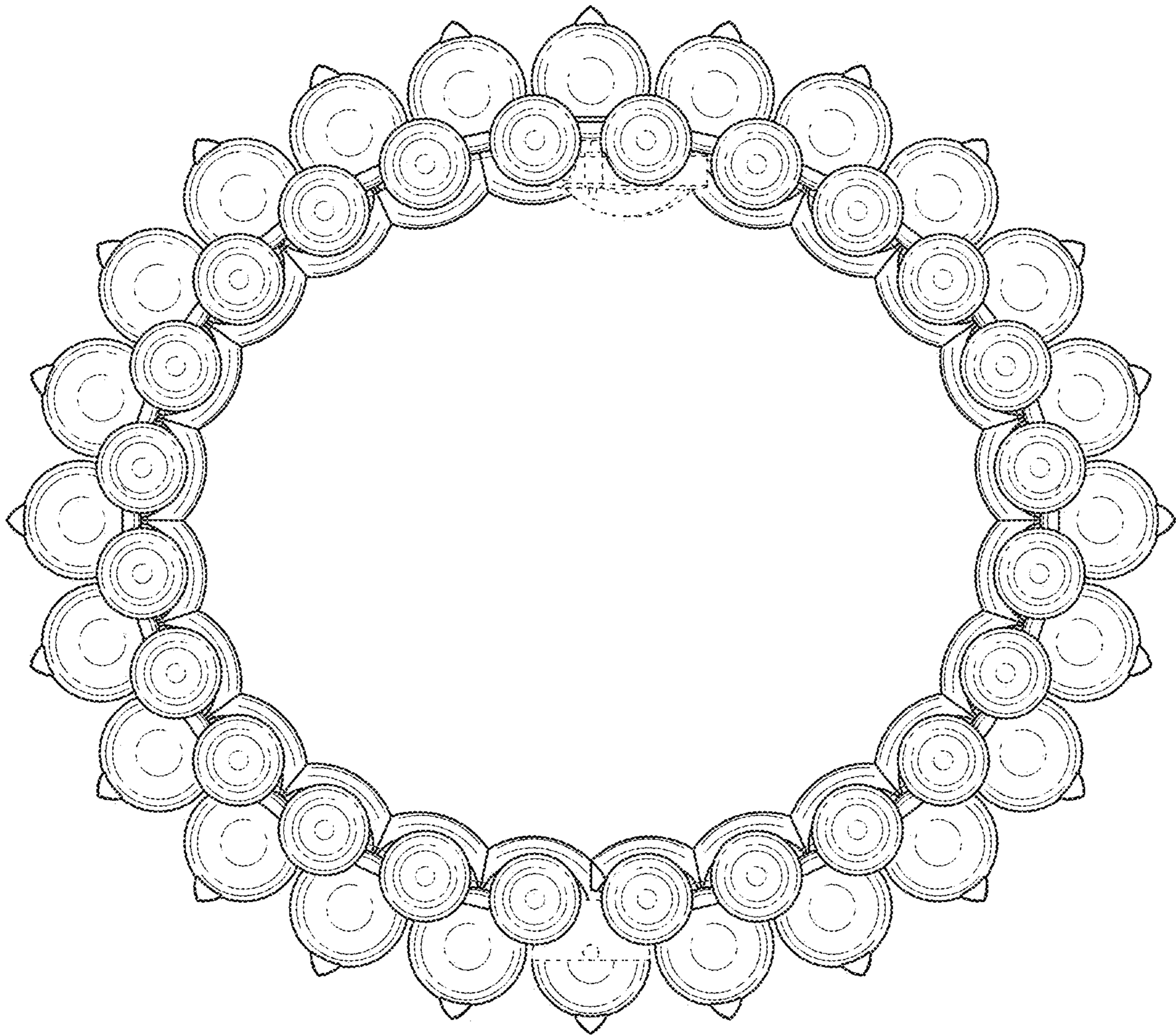


FIG. 3

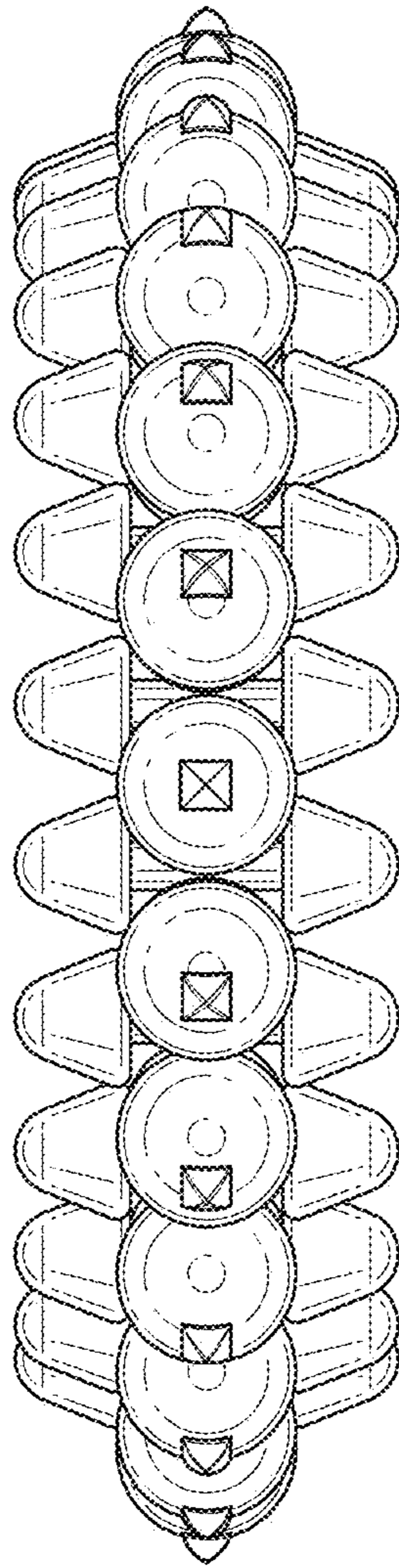


FIG. 4

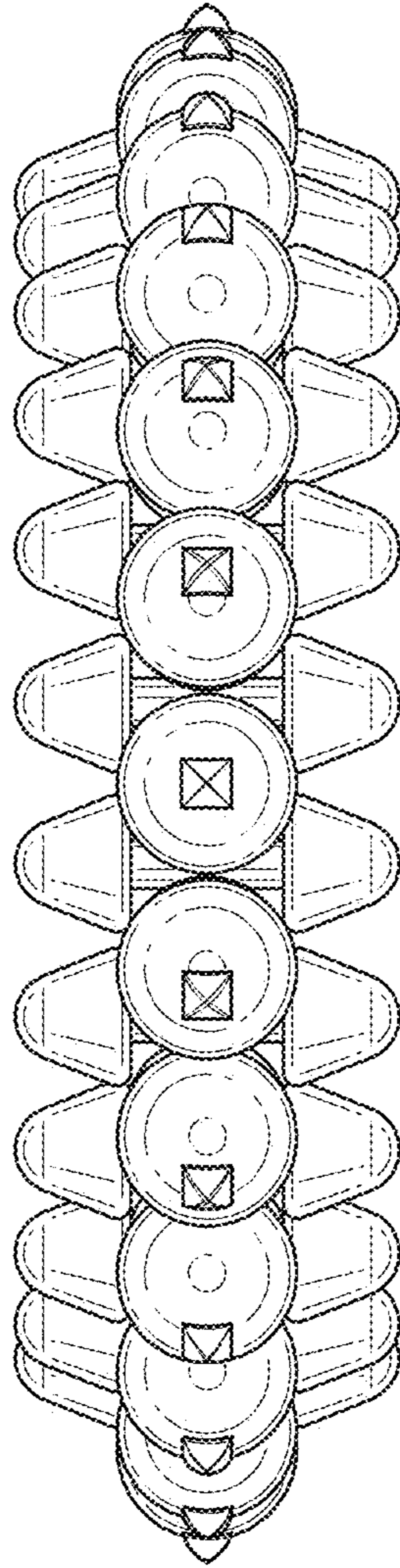


FIG. 5

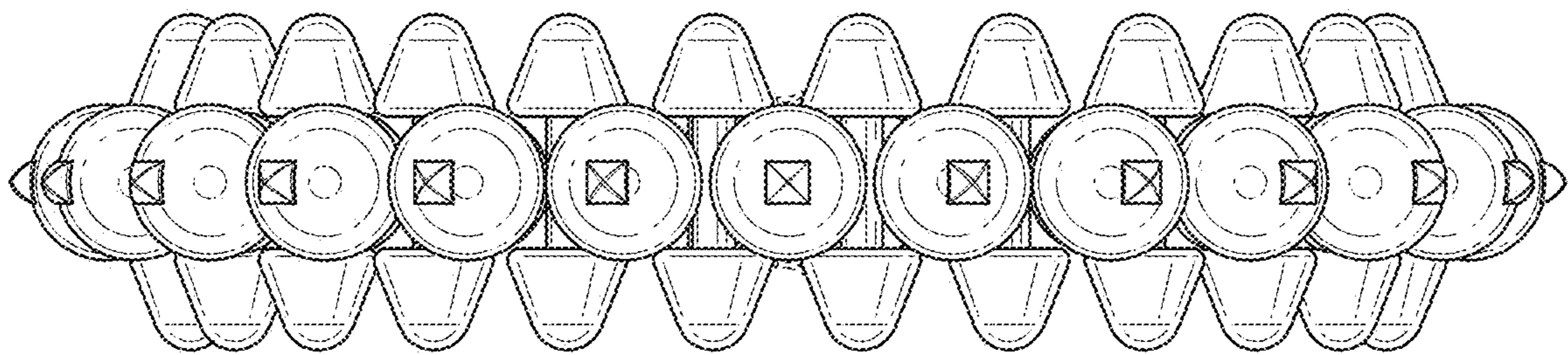


FIG. 6

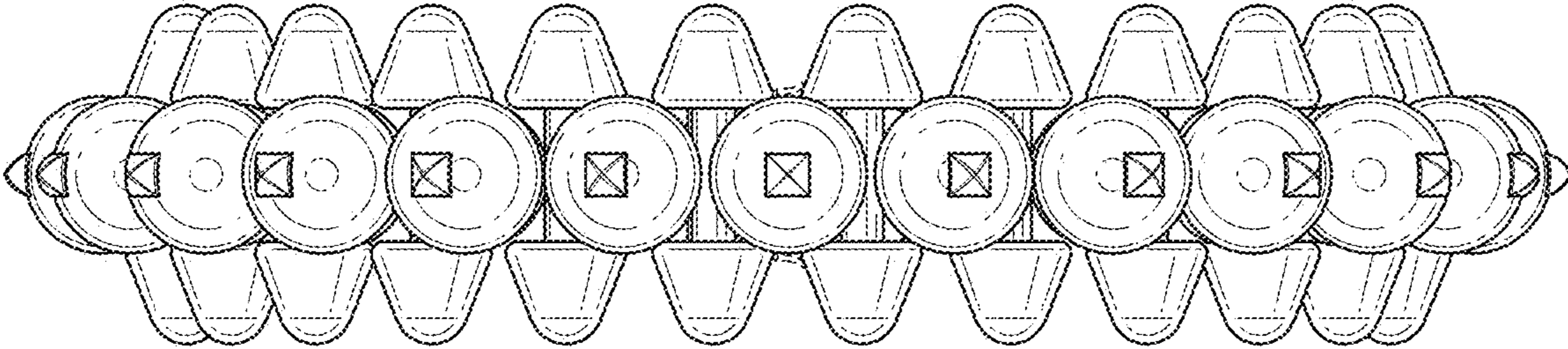


FIG. 7