



US00D912561S

(12) **United States Design Patent**
Kuroda

(10) **Patent No.:** **US D912,561 S**
(45) **Date of Patent:** **** Mar. 9, 2021**

(54) **WATCH DIAL**
(71) Applicant: **Citizen Watch Co., Ltd.**, Nishitokyo (JP)
(72) Inventor: **Akihiko Kuroda**, Tokorozawa (JP)
(73) Assignee: **Citizen Watch Co., Ltd.**, Tokyo (JP)
(**) Term: **15 Years**

7,192,181 B2 * 3/2007 Schmiedchen G04B 23/021
368/140
D580,809 S * 11/2008 Inoue D10/126
D636,691 S * 4/2011 Galloway D10/125
D724,958 S * 3/2015 Daniels D10/22
D789,808 S * 6/2017 Kimura D10/39
D810,110 S * 2/2018 Dye D14/486
D812,509 S * 3/2018 Tonohori D10/126
(Continued)

(21) Appl. No.: **29/722,626**
(22) Filed: **Jan. 31, 2020**

FOREIGN PATENT DOCUMENTS

JP D1639285 S 8/2019

(51) **LOC (13) Cl.** **10-07**
(52) **U.S. Cl.**
USPC **D10/126**
(58) **Field of Classification Search**
USPC D10/30-39, 102, 121-131; D19/59-60,
D19/64; D21/531; D14/344, 490, 492
CPC G04B 19/00; G04B 19/08; G04B 19/082;
G04B 19/085; G04B 19/087; G04B
19/10; G04B 19/103; G04B 19/12; G04B
19/16; G04B 19/166; G04B 19/18; G04B
19/22; G04B 19/24; G04B 29/00; G04B
29/02; G04B 29/04; G04B 45/00; G04B
45/02; G04B 45/0038; G04G 19/06;
G04G 19/065; G04G 19/243; G04G
19/283

OTHER PUBLICATIONS

Citizen Eco-Drive Riiiver BZ7014-06L | posted at amazon.co.jp; release year 2020 [online]. © 1996-2020, Amazon.com, Inc [retrieved Nov. 5, 2020] from Internet: <https://www.amazon.co.jp/-Eco-Drive-BZ7014-06L/dp/B086XRT9HP> (Year: 2020).*

Primary Examiner — Katherine Glennon
(74) *Attorney, Agent, or Firm* — RatnerPrestia

See application file for complete search history.

(57) **CLAIM**

The ornamental design for a watch dial, as shown and described.

DESCRIPTION

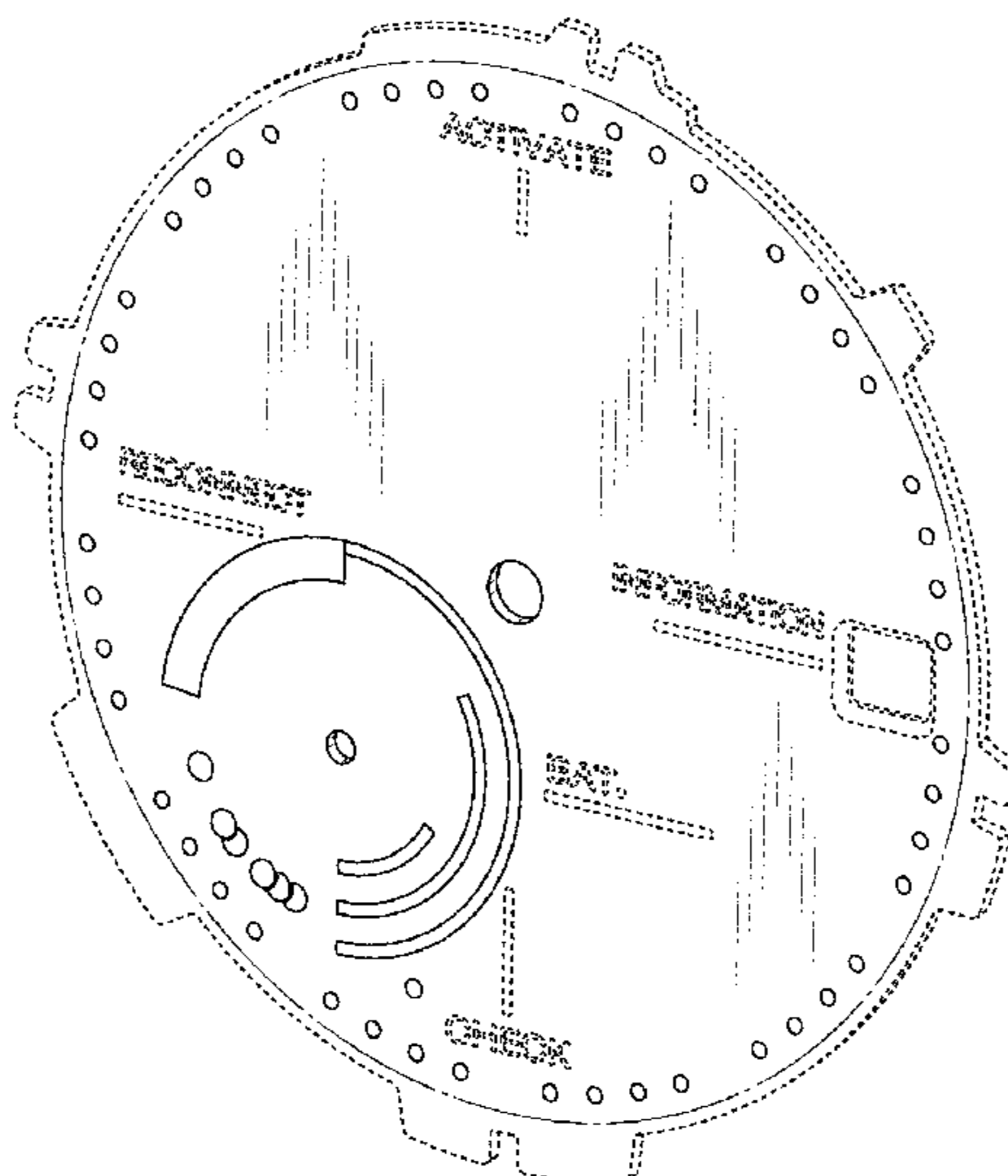
FIG. 1 is a perspective view of a watch dial showing my new design;
FIG. 2 is a front elevational view thereof;
FIG. 3 is a rear elevational view thereof;
FIG. 4 is a left side elevational view thereof;
FIG. 5 is a right side elevational view thereof;
FIG. 6 is a top plan view thereof; and,
FIG. 7 is a bottom plan view thereof.
The dashed broken lines depict environmental subject matter that form no part of the claimed design. The dash-dot-dash broken lines define the bounds of the claimed and form no part thereof.

(56) **References Cited**

U.S. PATENT DOCUMENTS

4,505,596 A * 3/1985 Barbieri G04B 19/065
368/236
D298,837 S * 12/1988 Thomas D10/126
D329,397 S * 9/1992 Robert D10/126
D333,799 S * 3/1993 Charriol D10/122
D338,161 S * 8/1993 Kizaki D10/126
D367,240 S * 2/1996 Svast D10/126
D373,739 S * 9/1996 Urich D10/103
D395,838 S * 7/1998 Hysek D10/126
D405,470 S * 2/1999 Messina D10/126

1 Claim, 5 Drawing Sheets



(56)

References Cited

U.S. PATENT DOCUMENTS

D820,300 S * 6/2018 Broughton D14/486
D823,139 S * 7/2018 Kuroda D10/39
D833,317 S * 11/2018 Jeanmonod D10/126
D836,122 S * 12/2018 Hong D14/486
D878,935 S * 3/2020 Kimura D10/39
D898,755 S * 10/2020 Chen D14/486
2017/0261938 A1 * 9/2017 Cho G04B 19/046
2018/0259912 A1 * 9/2018 Okuhara G04C 3/14
2020/0103828 A1 * 4/2020 Okamura G04B 19/042

* cited by examiner

FIG. 1

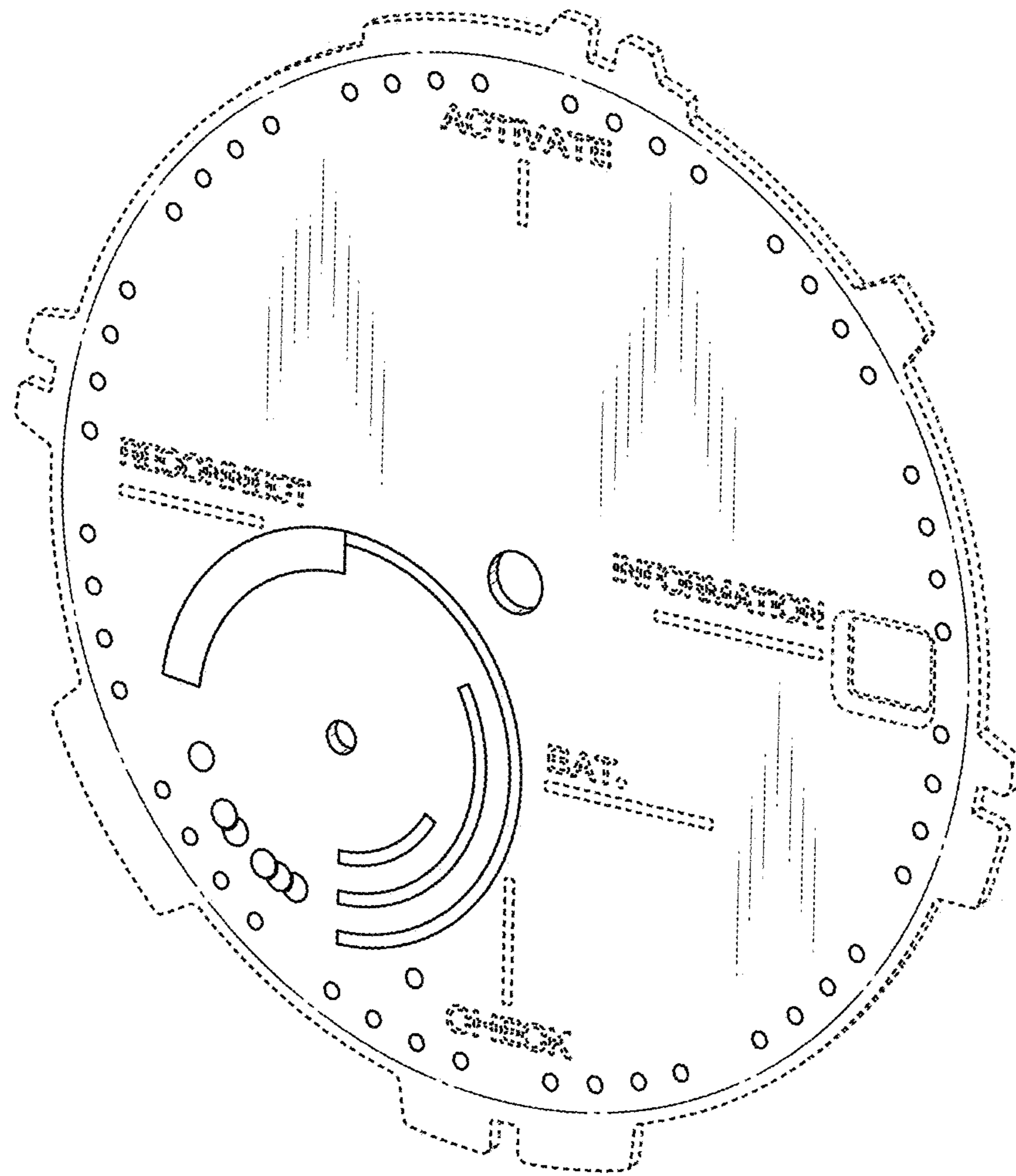


FIG. 2

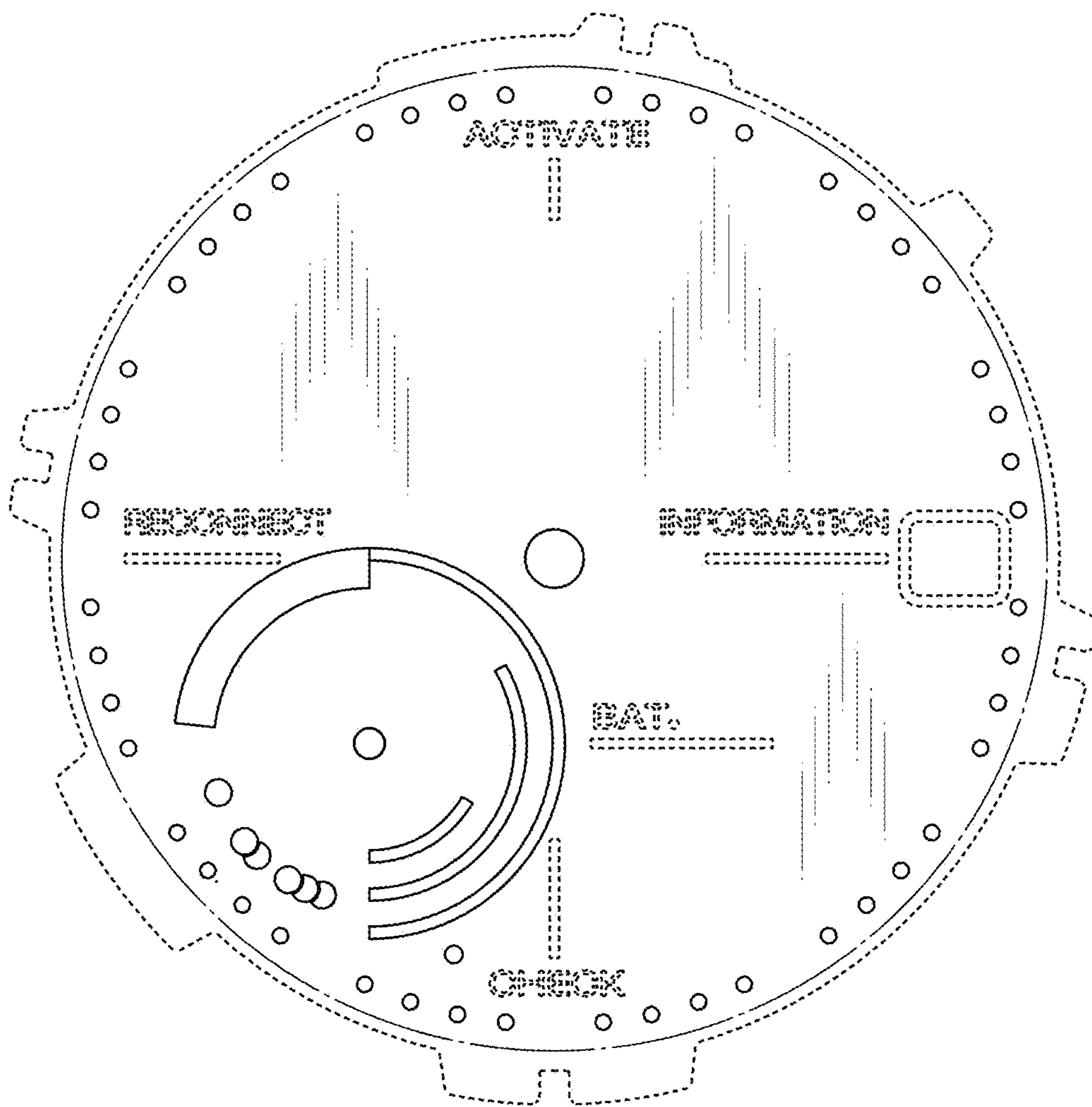


FIG. 3

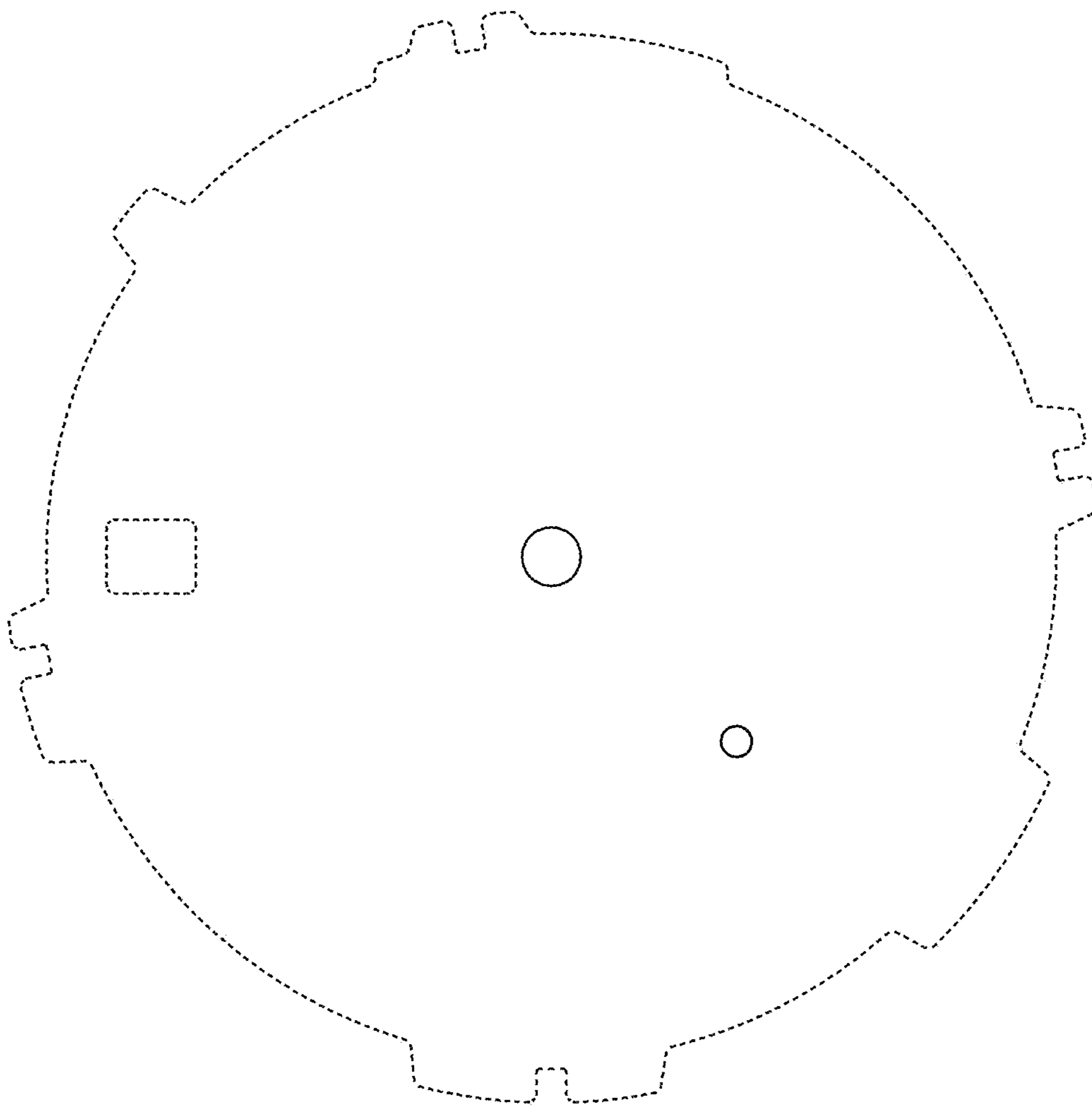


FIG. 4

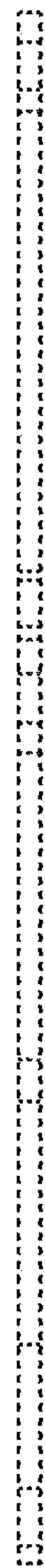


FIG. 5

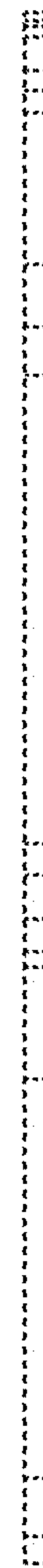


FIG. 6

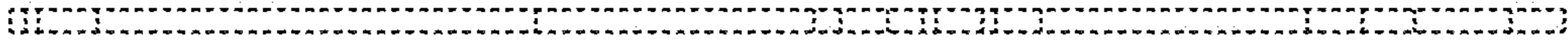


FIG. 7

