



US00D912558S

(12) **United States Design Patent** (10) **Patent No.:** **US D912,558 S**
Mechelany (45) **Date of Patent:** **** Mar. 9, 2021**

(54) **WATCH DIAL**
(71) Applicant: **Cartier International AG**, Steinhausen (CH)
(72) Inventor: **Raphael Mechelany**, Geneva (CH)
(73) Assignee: **Cartier International AG**, Steinhausen (CH)

D342,214 S * 12/1993 Tsukada D10/125
D458,853 S * 6/2002 Finazzi D10/39
D475,647 S * 6/2003 Grotell D10/123
D531,063 S * 10/2006 Reginelli D10/32
D565,429 S * 4/2008 Modolo D10/32
D585,307 S * 1/2009 Modolo D10/32
D595,595 S * 7/2009 Sirmakes D10/32
D623,976 S * 9/2010 Rabassa D10/125
D632,978 S * 2/2011 Duport D10/32

(Continued)

(**) Term: **15 Years**

(21) Appl. No.: **29/688,937**

(22) Filed: **Apr. 25, 2019**

(30) **Foreign Application Priority Data**

Oct. 31, 2018 (WO) 9492701

(51) **LOC (13) Cl.** **10-07**

(52) **U.S. Cl.**
USPC **D10/125**

(58) **Field of Classification Search**

USPC D10/30-39, 87, 102, 121-131
CPC G04B 19/00; G04B 19/08; G04B 19/082;
G04B 19/085; G04B 19/087; G04B
19/10; G04B 19/103; G04B 19/12; G04B
19/16; G04B 19/166; G04B 19/18; G04B
19/22; G04B 19/24; G04B 29/00; G04B
29/02; G04B 29/04; G04B 45/00; G04B
45/02; G04B 45/0038; G04G 19/06;
G04G 19/065; G04G 19/243; G04G
19/283

See application file for complete search history.

(56) **References Cited**

U.S. PATENT DOCUMENTS

D40,127 S * 7/1909 Starkey D10/126
1,142,554 A * 6/1915 Ditesheim G04B 33/08
368/281
1,505,521 A * 8/1924 Kresser G04B 19/087
368/232
D250,750 S * 1/1979 Perrin D10/39

OTHER PUBLICATIONS

Cartier Tonneau or Flinque Dial | ebay.com; no posting date [online]. © 1995-2020 eBay Inc [retrieved Nov. 6, 2020] from Internet: <https://www.ebay.com/itm/Cartier-Tonneau-Or-Flinque-Dial-For-Cartier-Collection-Privee-Cartier-Paris/324348396661?hash=item4b84abc475:g:mz8AAOSw-wZflgPZ> (Year: 2020).*

(Continued)

Primary Examiner — Katherine Glennon

(74) *Attorney, Agent, or Firm* — Taft Stettinius & Hollister LLP

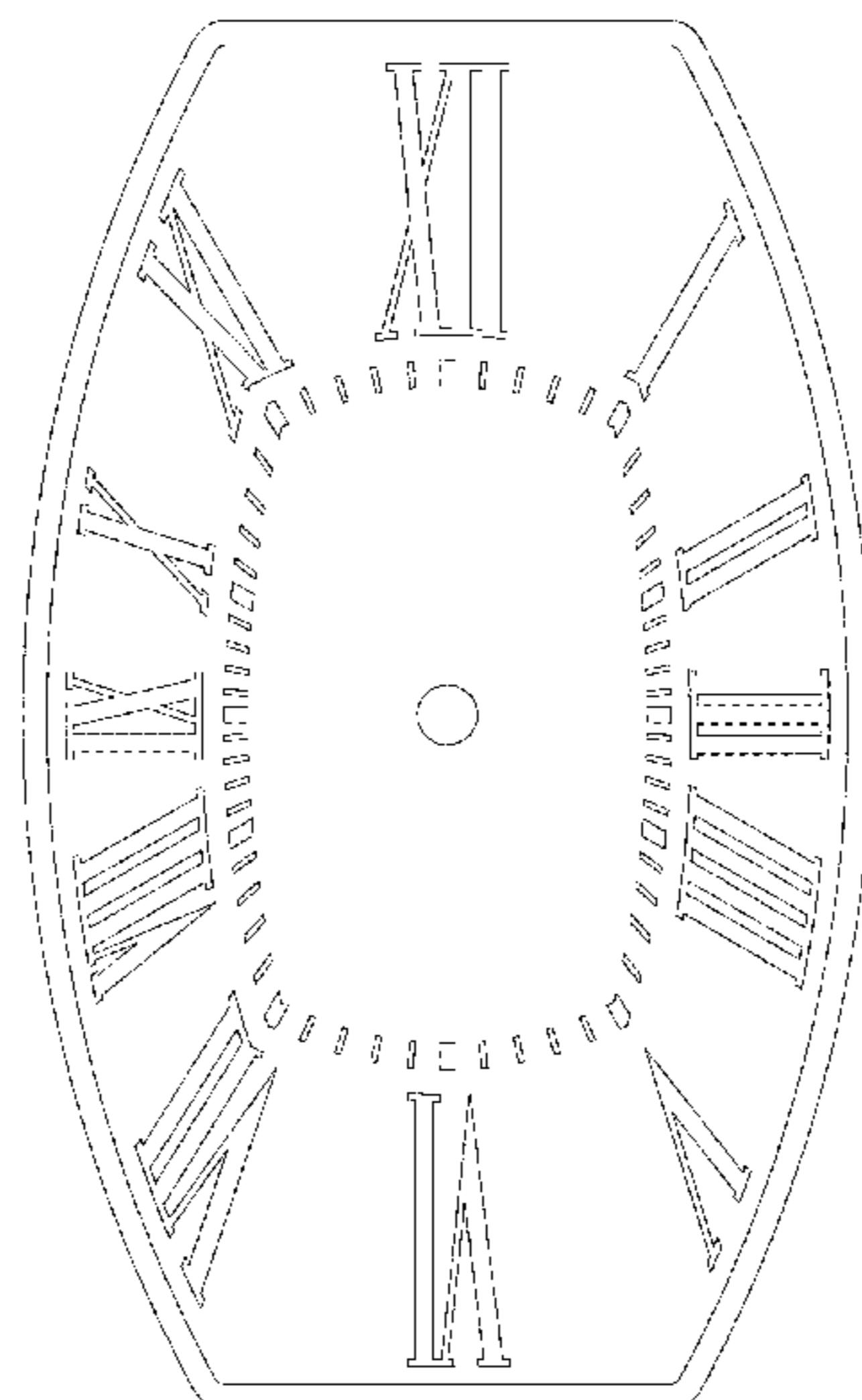
(57) **CLAIM**

The ornamental design for a watch dial, as shown and described.

DESCRIPTION

FIG. 1 is a front elevational view of a watch dial showing my new design;
FIG. 2 is a back elevational view thereof;
FIG. 3 is a top plan view thereof;
FIG. 4 is a bottom plan view thereof;
FIG. 5 is a right side elevational thereof;
FIG. 6 is a left side elevational view thereof;
FIG. 7 is a front, bottom, right side perspective view thereof;
and,
FIG. 8 is a back, bottom, left side perspective view thereof.

1 Claim, 8 Drawing Sheets



(56)

References Cited

U.S. PATENT DOCUMENTS

D646,184 S * 10/2011 Duport D10/39
D655,631 S * 3/2012 Ruefenacht D10/39
D677,186 S * 3/2013 Favre D10/123
D710,714 S * 8/2014 Monachon D10/39
D861,528 S * 10/2019 Gimenez D10/125

OTHER PUBLICATIONS

Cartier Tonneau Dual Time White Dial | ebay.com no posting date
[online]. © 1995-2020 eBay Inc [retrieved Nov. 6, 2020] from
Internet: <<https://www.ebay.com/itm/CARTIER-TONNEAU-DUAL-TIME-WHITE-DIAL/301937395139?hash=item464cdf05c3:g:BugAAOSwubRXGIHe>> (Year: 2020).*

* cited by examiner

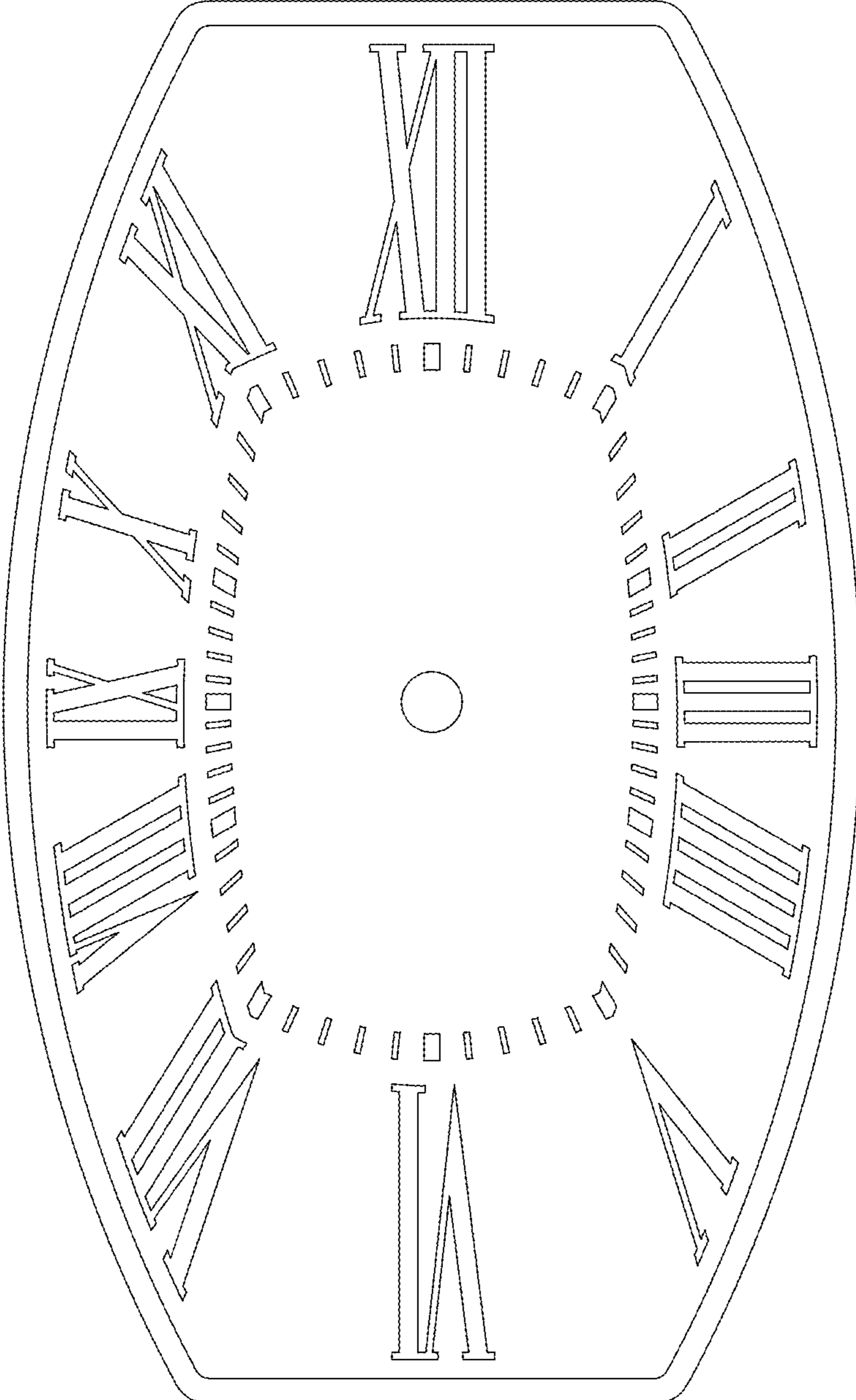


Fig. 1

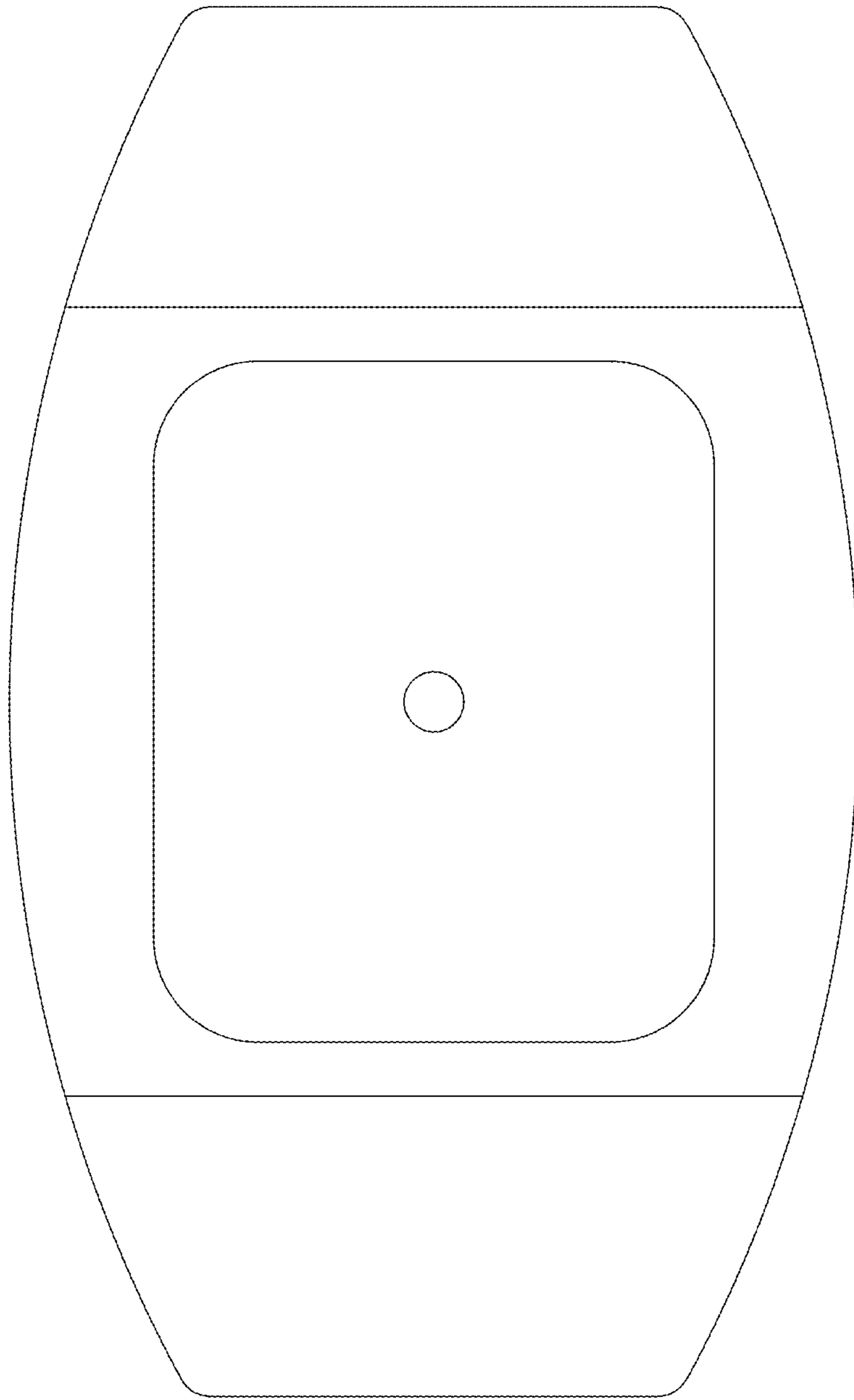


Fig. 2

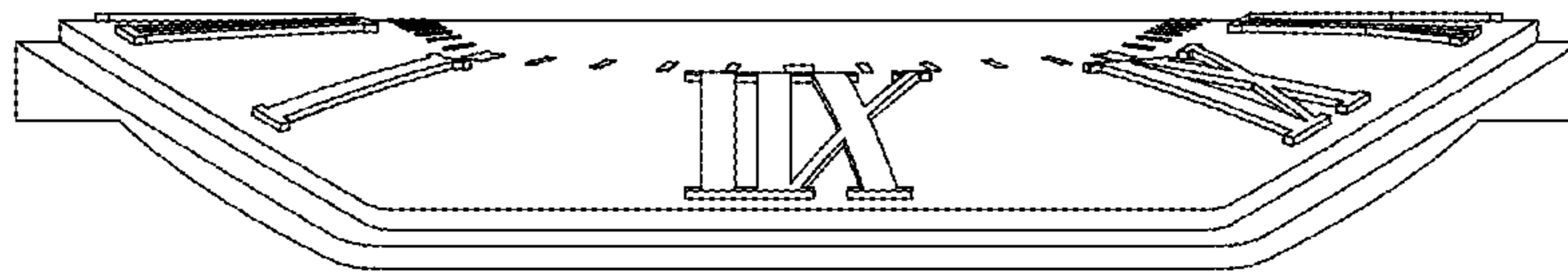


Fig. 3

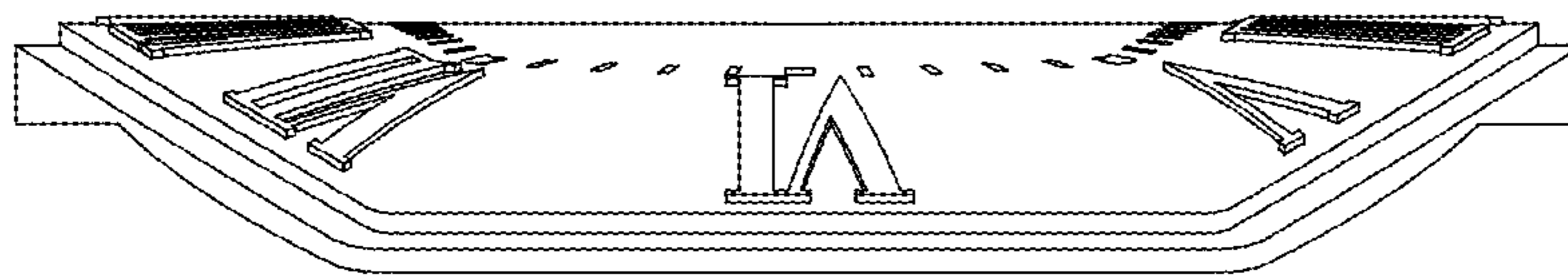


Fig. 4

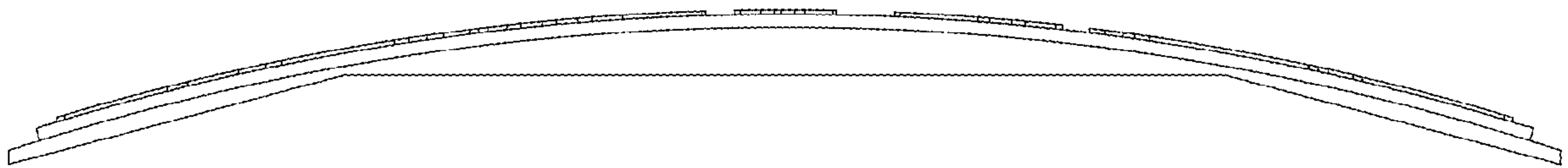


Fig. 5

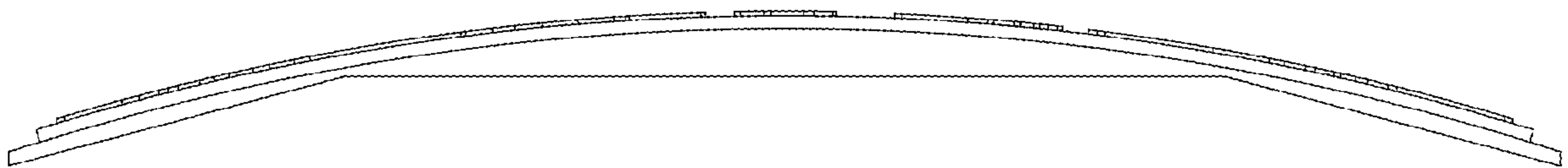


Fig. 6

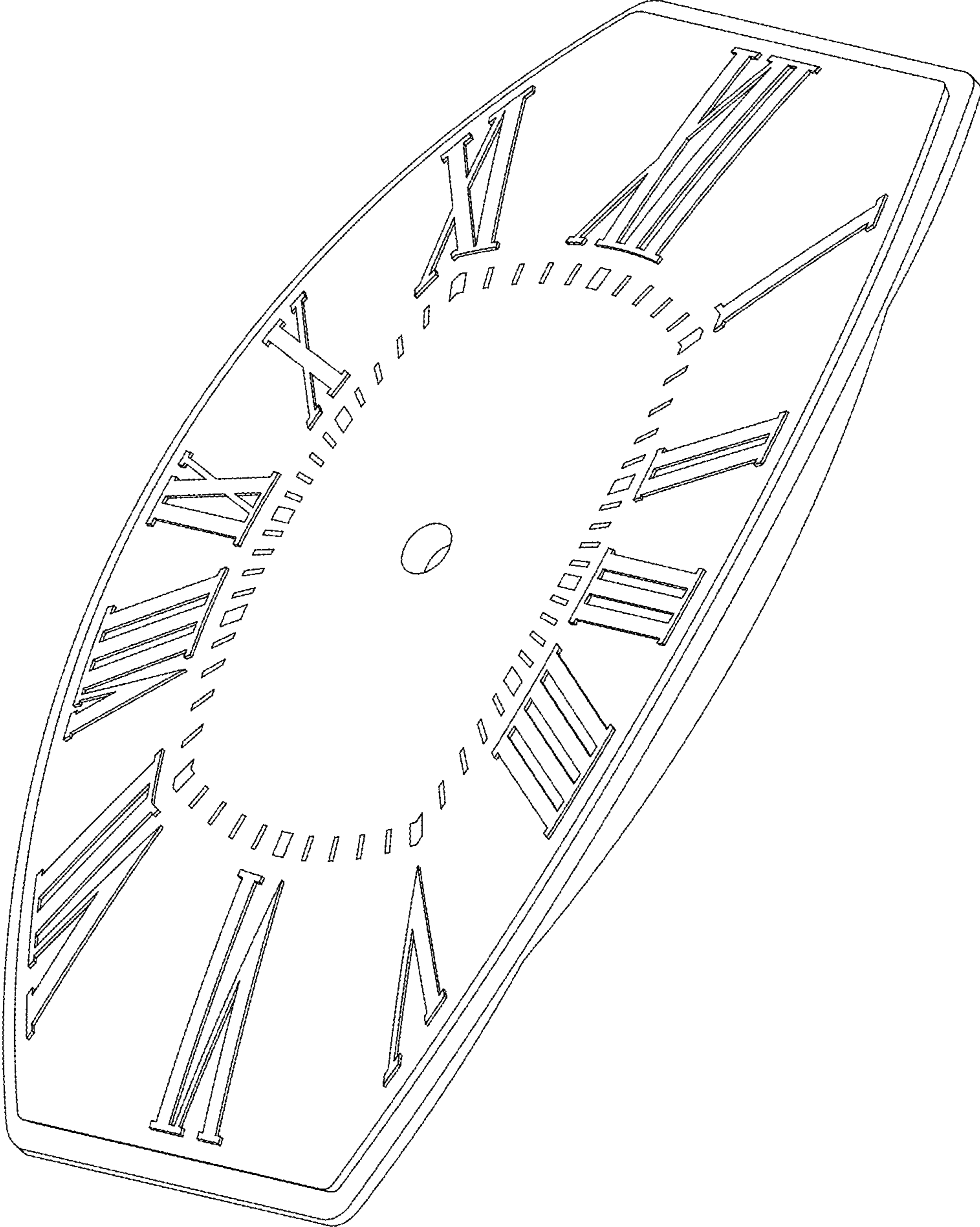


Fig. 7

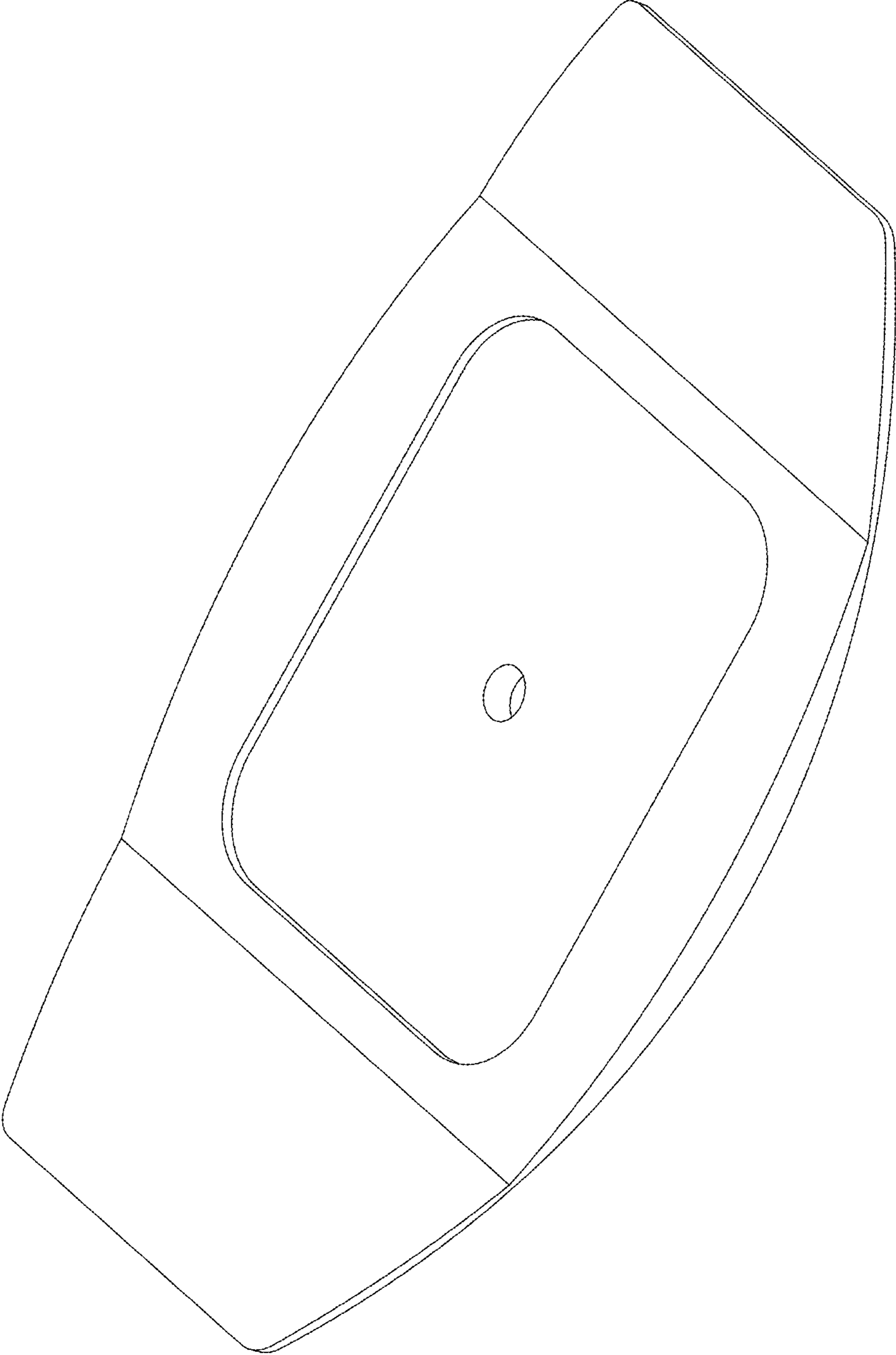


Fig. 8