



US00D912554S

(12) **United States Design Patent** (10) **Patent No.:** **US D912,554 S**
Liu (45) **Date of Patent:** **** Mar. 9, 2021**

(54) **WEIGHT SCALE**

OTHER PUBLICATIONS

(71) Applicant: **Guangzhou CHwares E-business Co., Ltd.**, Guangzhou (CN)

<https://www.amazon.com/dp/B083B6R4FW>, Apr. 20, 2020.
<https://www.amazon.co.uk/dp/B083B6R4FW>, Dec. 31, 2019.
<https://www.amazon.de/dp/B083B6R4FW>, Dec. 31, 2019.
<https://www.amazon.fr/dp/B083B6R4FW>, Dec. 31, 2019.
<https://www.amazon.es/dp/B083B6R4FW>, Mar. 6, 2020.

(72) Inventor: **Kangming Liu**, Guangzhou (CN)

* cited by examiner

(**) Term: **15 Years**

(21) Appl. No.: **29/743,658**

Primary Examiner — Antoine Duval Davis

(22) Filed: **Jul. 23, 2020**

(74) *Attorney, Agent, or Firm* — Rumit Ranjit Kanakia

(51) **LOC (13) Cl.** **10-04**

(52) **U.S. Cl.**
USPC **D10/92**

(57) **CLAIM**

(58) **Field of Classification Search**
USPC D10/92
CPC G01G 21/28; G01G 21/283; G01G 21/286;
G01G 21/30; G01G 23/37; G01G
23/3728; G01G 23/3735; G01G 19/44;
G01G 19/445; G01G 19/46; G01G 19/48;
G01G 19/50; G01G 21/44

I claim the ornamental design for a weight scale, as shown and described.

See application file for complete search history.

DESCRIPTION

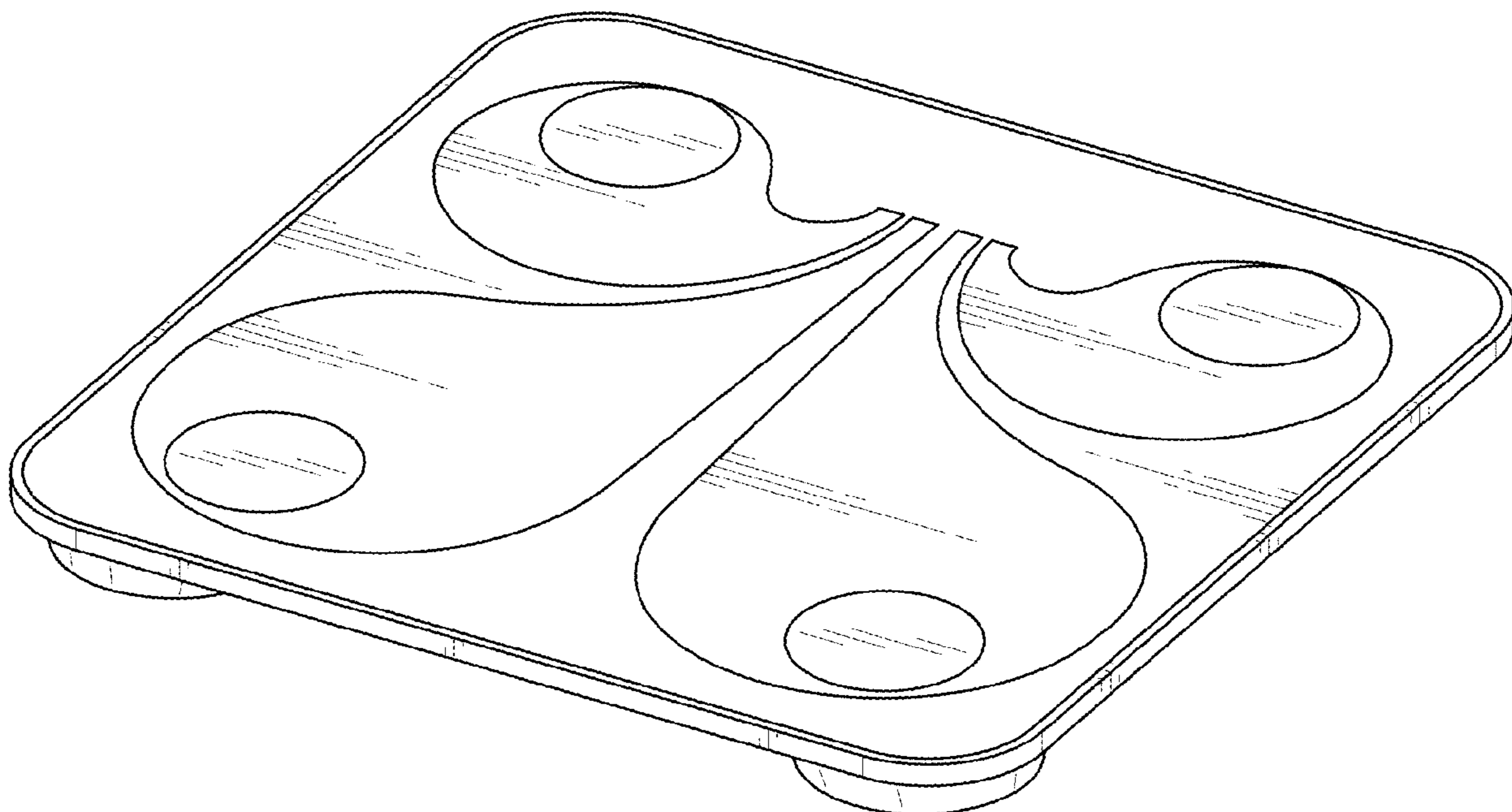
(56) **References Cited**

U.S. PATENT DOCUMENTS

D538,190 S	3/2007	Aglassinger	
D603,736 S	11/2009	Sowards	
D798,175 S	9/2017	Donovick et al.	
D853,260 S	7/2019	Wang	
D860,841 S	9/2019	Wang	
D895,464 S *	9/2020	Wang D10/92

FIG. 1 is a Perspective view of a weight scale showing my new design;
FIG. 2 is a Front view thereof;
FIG. 3 is a Back view thereof;
FIG. 4 is a Right-side view thereof;
FIG. 5 is a Left-side view thereof;
FIG. 6 is a Top view thereof; and,
FIG. 7 is a Bottom view thereof.
The broken lines are for the purpose of illustrating portions of the article that form no part of the claim.

1 Claim, 5 Drawing Sheets



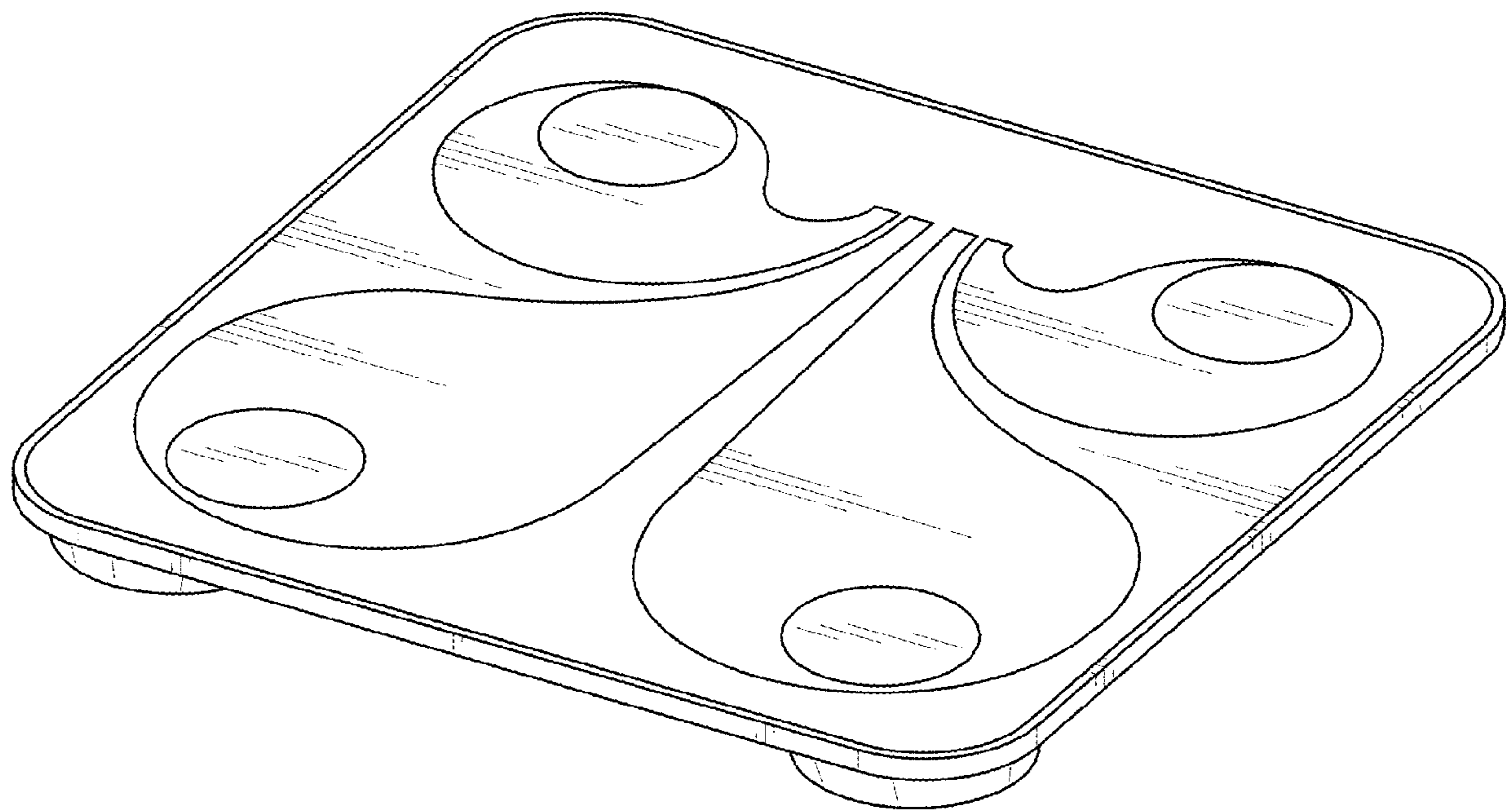


FIG. 1

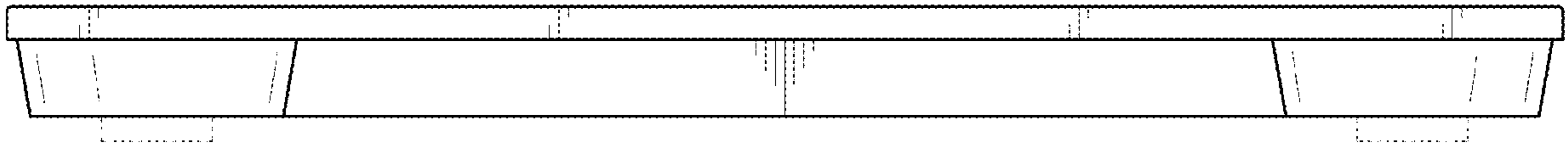


FIG. 2

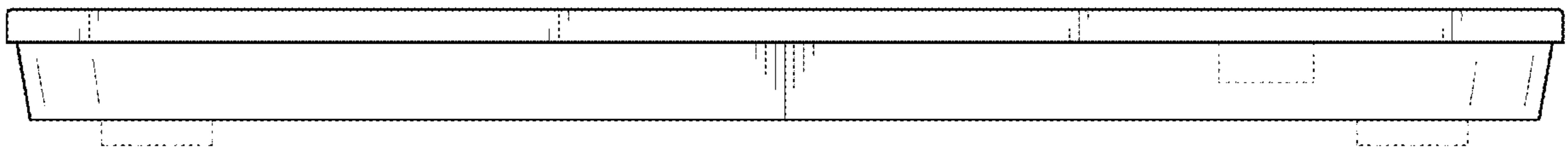


FIG. 3

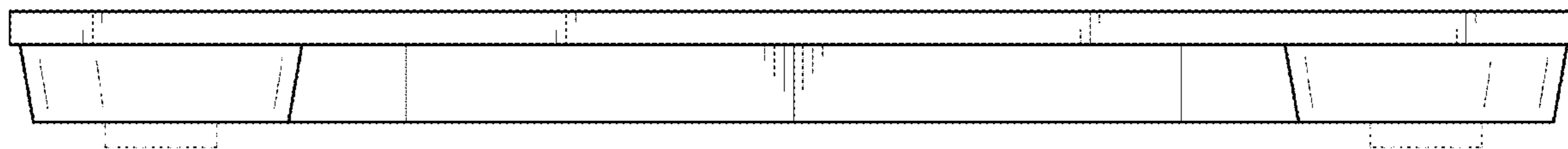


FIG. 4

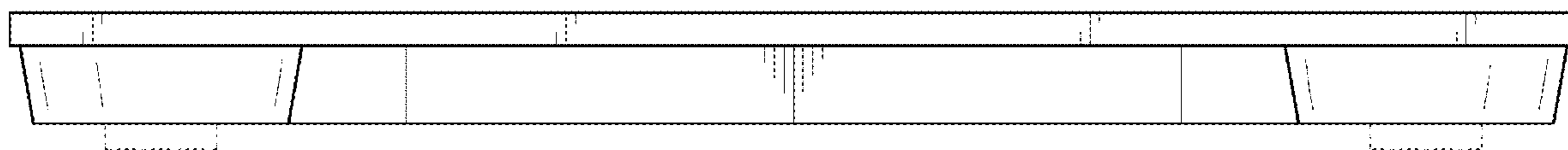


FIG. 5

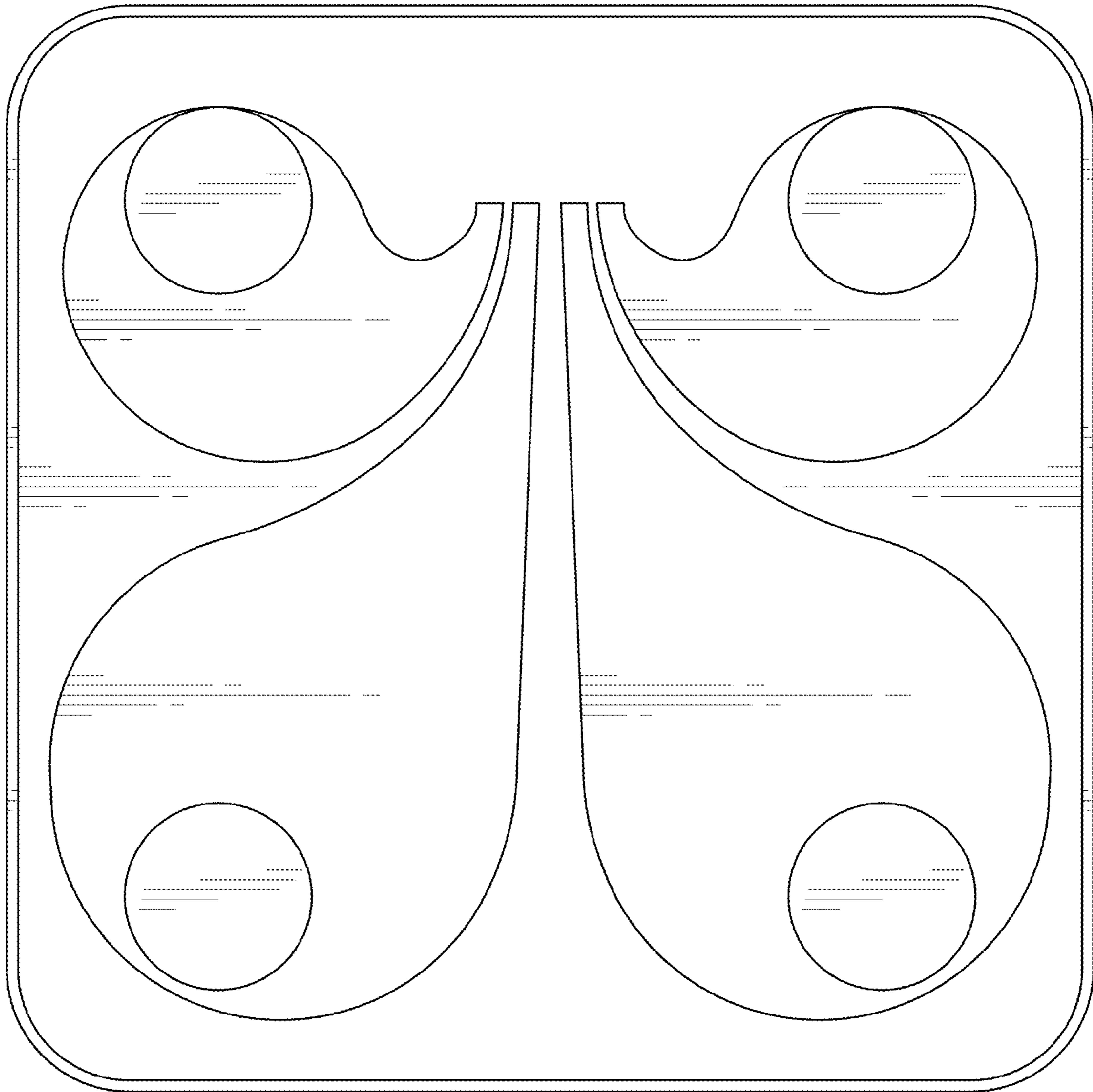


FIG. 6

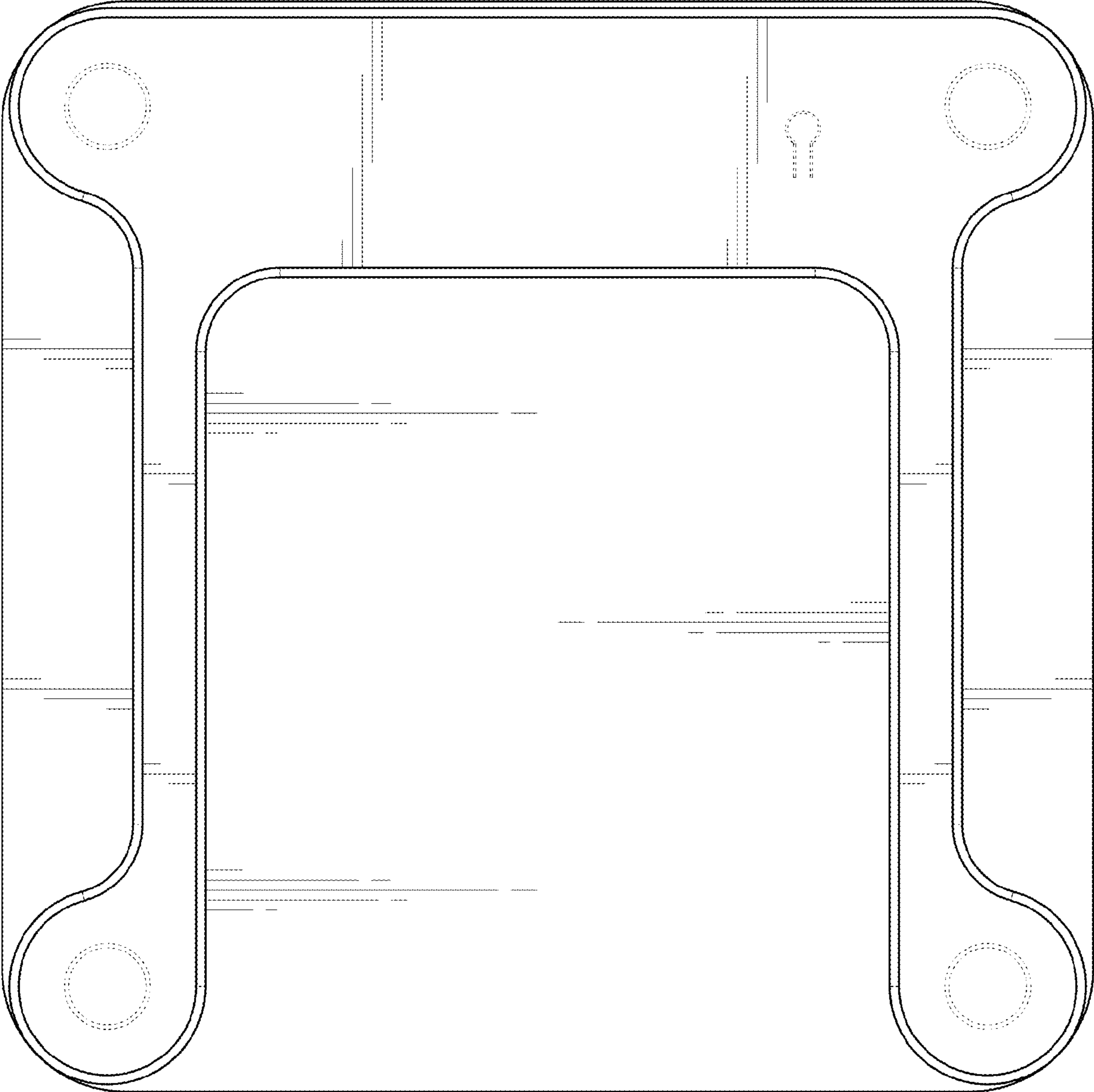


FIG. 7