



US00D912553S

(12) **United States Design Patent**
Thurnherr

(10) **Patent No.:** **US D912,553 S**

(45) **Date of Patent:** **** Mar. 9, 2021**

(54) **OPTOELECTRONIC SENSOR**
(71) Applicant: **SICK STEGMANN GmbH**,
Donaueschingen (DE)
(72) Inventor: **Michael Thurnherr**, Rapperswil (CH)
(73) Assignee: **SICK STEGMANN GMBH**,
Donaueschingen (DE)
(**) Term: **15 Years**

D724,971 S * 3/2015 Bailey D10/70
D764,957 S * 8/2016 Bhattacharya D10/104.1
D772,745 S * 11/2016 Henne D10/98
D805,938 S * 12/2017 Park D10/104.1
D808,833 S * 1/2018 Abbott D10/81
D820,700 S * 6/2018 Buijsman D10/80
D842,724 S * 3/2019 Vandenbussche D10/70
D850,308 S * 6/2019 Yun D10/78
D850,627 S * 6/2019 Purani D24/186
D854,433 S * 7/2019 Vandenbussche D10/70
D856,831 S * 8/2019 Dewey D10/78

* cited by examiner

(21) Appl. No.: **29/689,825**
(22) Filed: **May 2, 2019**

Primary Examiner — George D. Kirschbaum
Assistant Examiner — Joseph J Kukella
(74) *Attorney, Agent, or Firm* — Nath, Goldberg &
Meyer; Jerald L. Meyer

(30) **Foreign Application Priority Data**

Nov. 6, 2018 (EM) 005818325-0008

(51) **LOC (13) Cl.** **10-05**
(52) **U.S. Cl.**
USPC **D10/75**
(58) **Field of Classification Search**
USPC D10/46, 75–80, 103, 104.1,
D10/106.1–106.95; D14/356, 357, 358,
D14/432, 433
CPC G01P 15/093
See application file for complete search history.

(57) **CLAIM**

The ornamental design for the optoelectronic sensor, as shown and described.

(56) **References Cited**

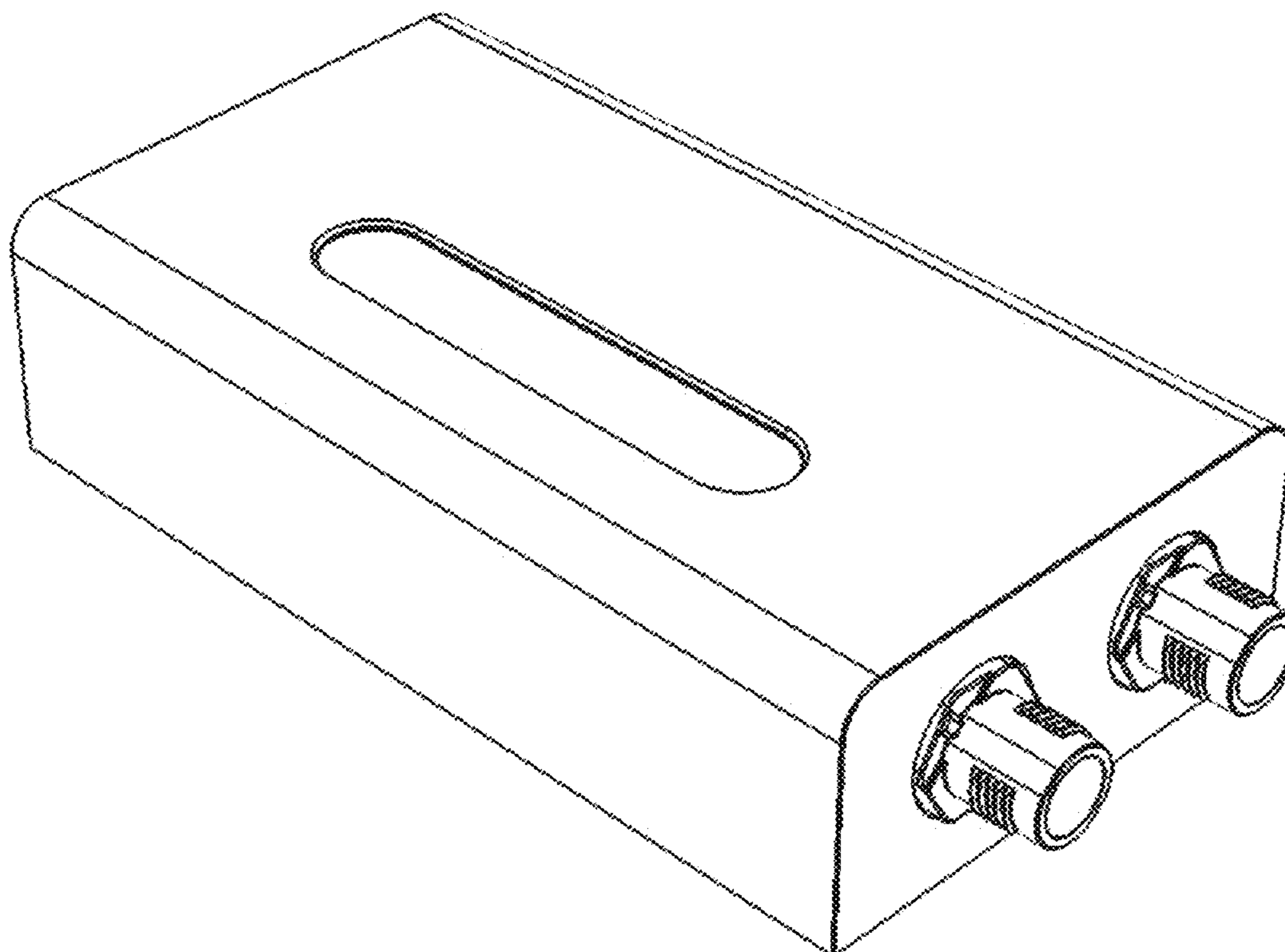
U.S. PATENT DOCUMENTS

D654,383 S * 2/2012 Pfrengle D10/46
D683,634 S * 6/2013 Hayakawa D10/46

DESCRIPTION

FIG. 1 is a perspective view;
FIG. 2 is a top view;
FIG. 3 is a bottom view;
FIG. 4 is a front view;
FIG. 5 is a rear view;
FIG. 6 a left side view; and,
FIG. 7 is a right side view.

1 Claim, 6 Drawing Sheets



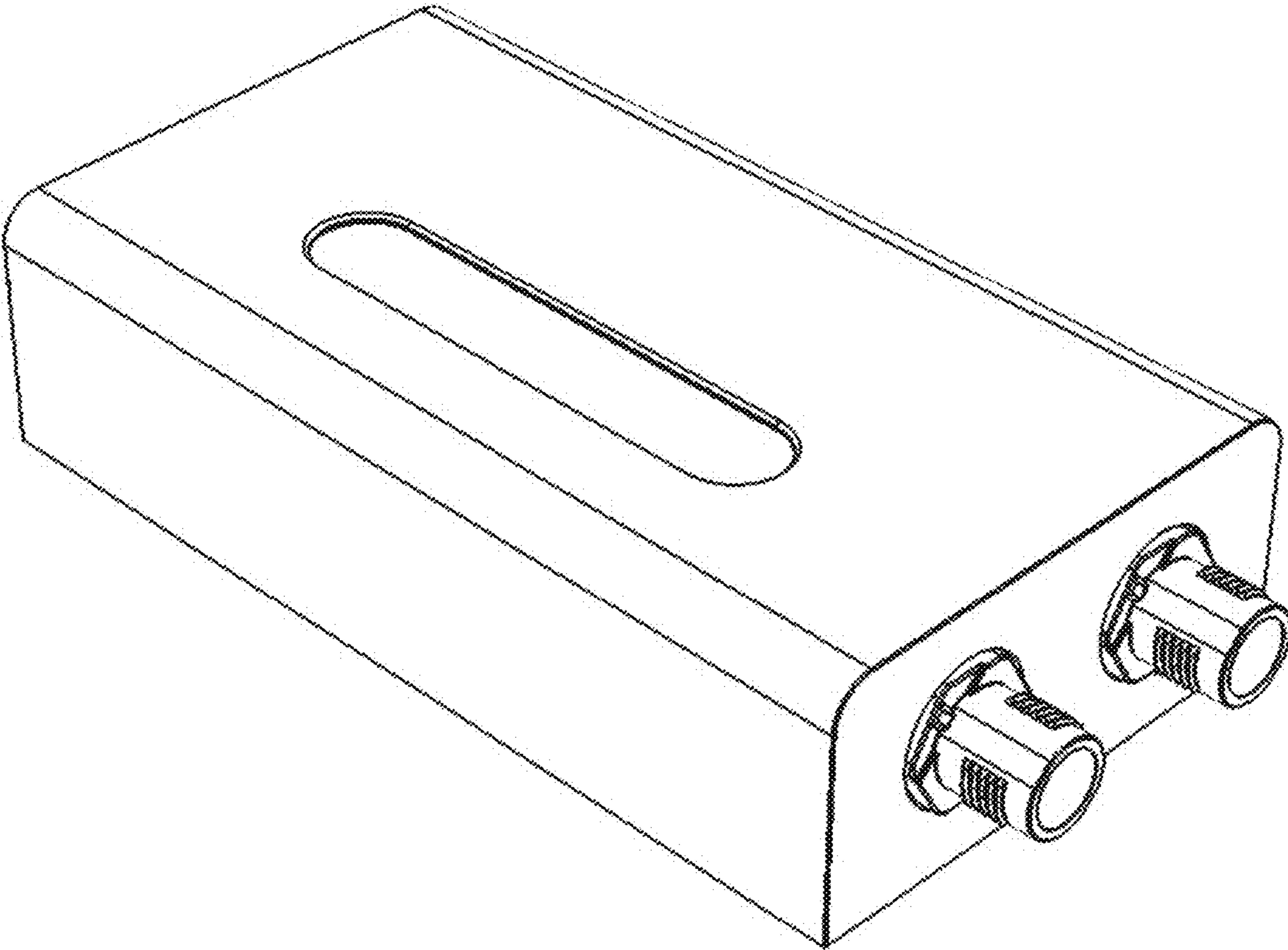


FIG. 1

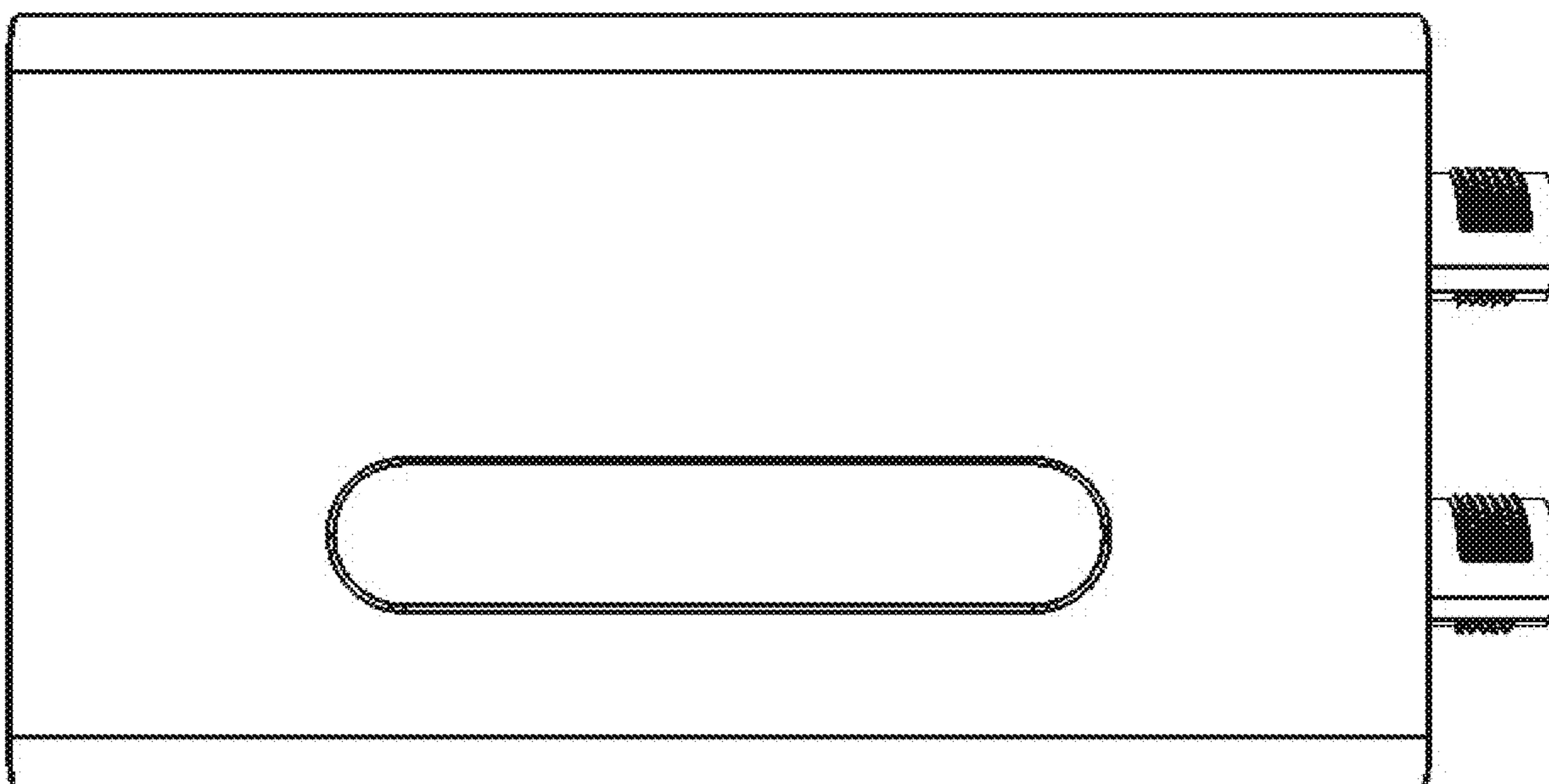


FIG. 2

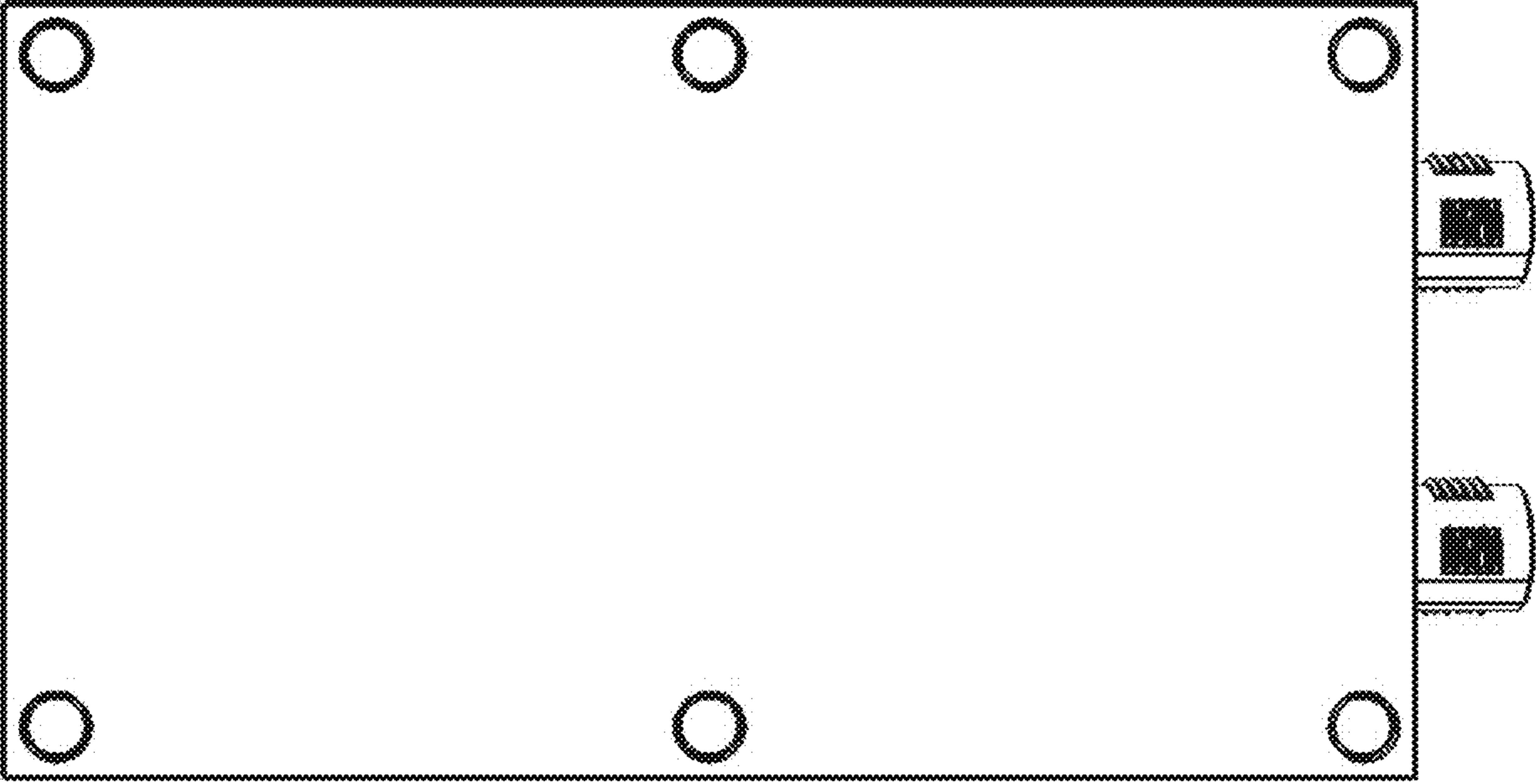


FIG. 3



FIG. 4

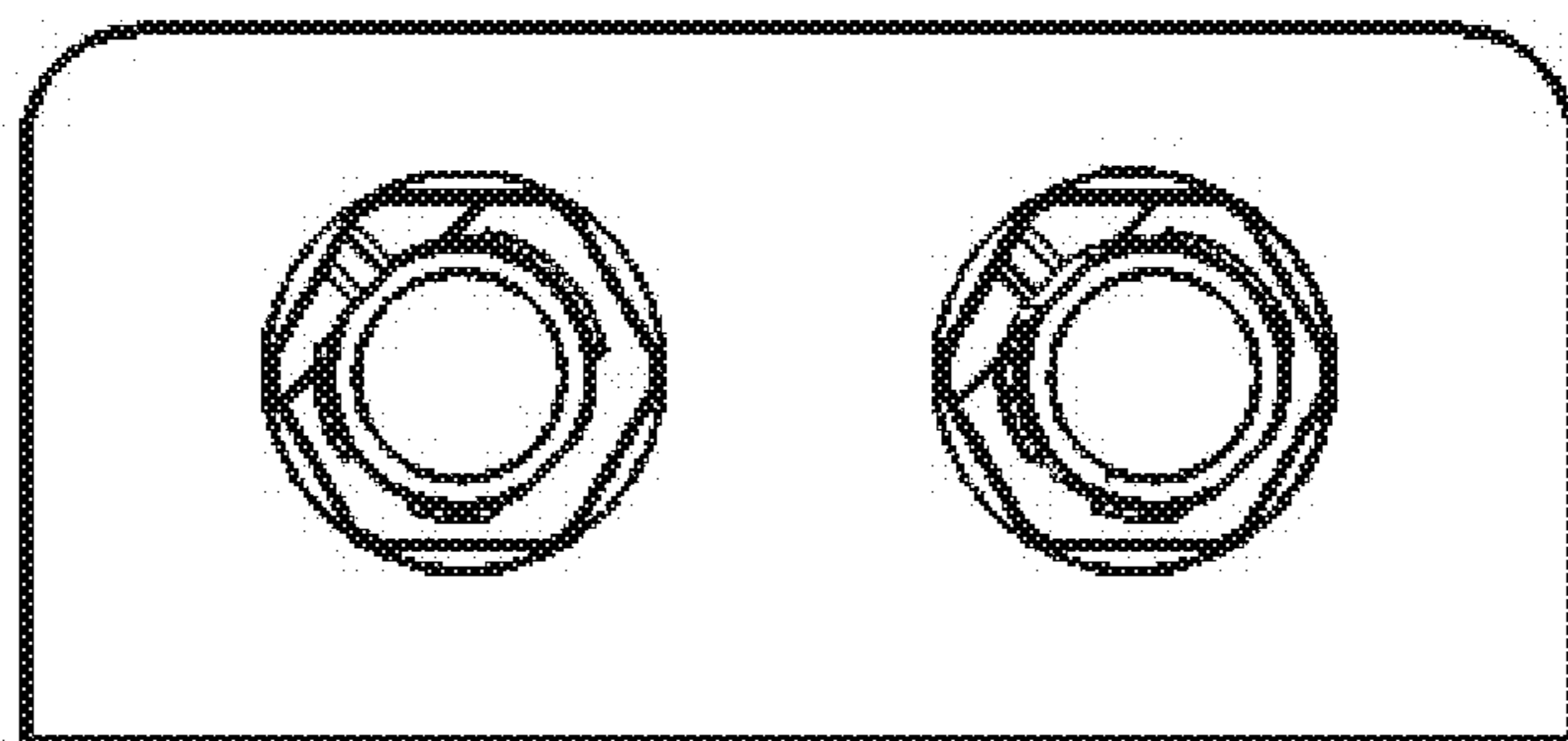


FIG. 5

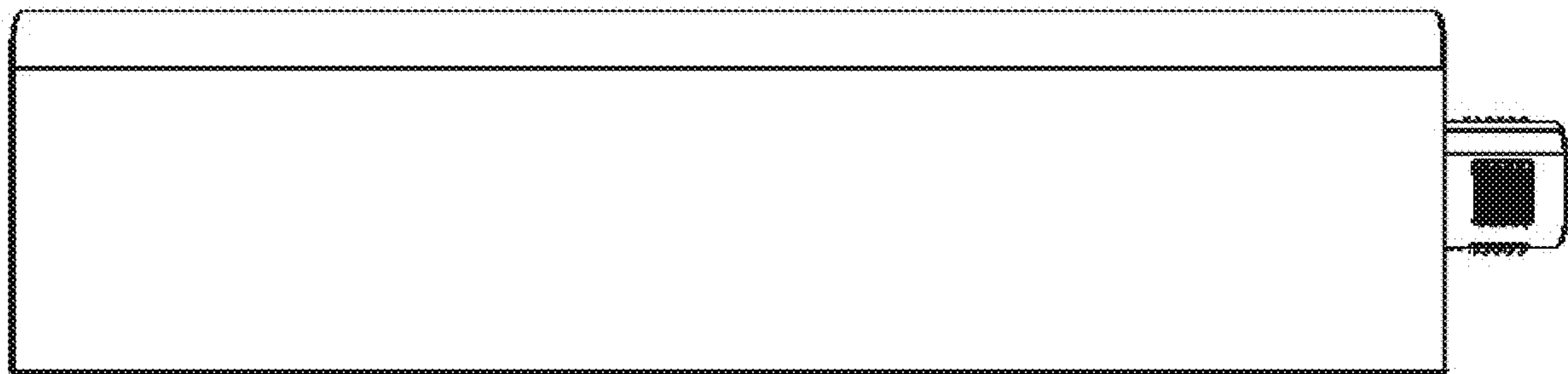


FIG. 6

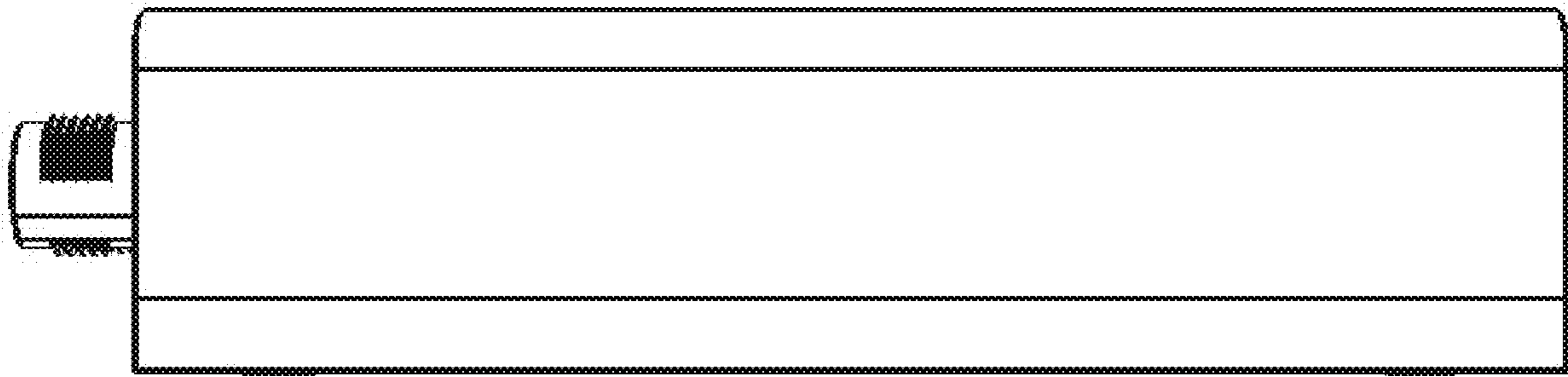


FIG. 7