



US00D912551S

(12) **United States Design Patent**
Rogers et al.

(10) **Patent No.:** **US D912,551 S**
(45) **Date of Patent:** **** Mar. 9, 2021**

(54) **TIMER**

FOREIGN PATENT DOCUMENTS

(71) Applicant: **Time Timer LLC**, Cincinnati, OH (US)

EM 002013763-001 6/2012
EM 002013763-002 6/2012

(72) Inventors: **David M. Rogers**, Cincinnati, OH (US); **Tricia L. Wright**, San Francisco, CA (US)

(Continued)

(73) Assignee: **Time Timer LLC**, Cincinnati, OH (US)

Original 3 inch Visual Timer | amazon.com; date first available Mar. 2018 [online]. © 1996-2020, Amazon.com, Inc [retrieved Dec. 4, 2020] from Internet: <https://www.amazon.com/Time-Timer-Original-Minute-Visual/dp/B07BB9MW7Q?ref_=ast_sto_dp> (Year: 2018).*

(**) Term: **15 Years**

(Continued)

(21) Appl. No.: **29/719,897**

(22) Filed: **Jan. 8, 2020**

Primary Examiner — Katherine Glennon

(51) **LOC (13) Cl.** **10-03**

(74) *Attorney, Agent, or Firm* — Wood Herron & Evans LLP

(52) **U.S. Cl.**

USPC **D10/40**

(58) **Field of Classification Search**

USPC D10/1-2, 5-7, 10, 14-15, 28-29, 40-41, D10/52, 54, 57; D14/170-171, 224.1; D19/59, 60, 64; D21/324, 328, 329, 331, D21/332, 531

CPC G04C 19/00; G04C 19/02; G04C 21/04; G04C 21/06; G04C 23/02; G04C 23/08; G04C 17/00; G04C 17/0058; G04G 17/005; G04G 17/08; G04G 17/086; G04F 1/00; G04F 1/005; G04F 3/00; G04F 3/02; G04F 3/06; G09B 19/12; G07C 1/22; G07C 1/28; G09F 3/005; G04B 19/00; G04B 19/04

See application file for complete search history.

(57) **CLAIM**

The ornamental design for a timer, as shown and described.

DESCRIPTION

FIG. 1 is an isometric view of a first embodiment of a timer illustrating our new design.

FIG. 2 is a front view thereof.

FIG. 3 is a rear view thereof.

FIG. 4 is a right side view thereof.

FIG. 5 is a left side view thereof.

FIG. 6 is a top view thereof.

FIG. 7 is a bottom view thereof.

FIG. 8 is an isometric view of a second embodiment of our new design.

FIG. 9 is a front view thereof.

FIG. 10 is a rear view thereof.

FIG. 11 is a right side view thereof.

FIG. 12 is a left side view thereof.

FIG. 13 is a top view thereof; and,

FIG. 14 is a bottom view thereof.

The broken lines show portions of the timer that form no part of the claimed design.

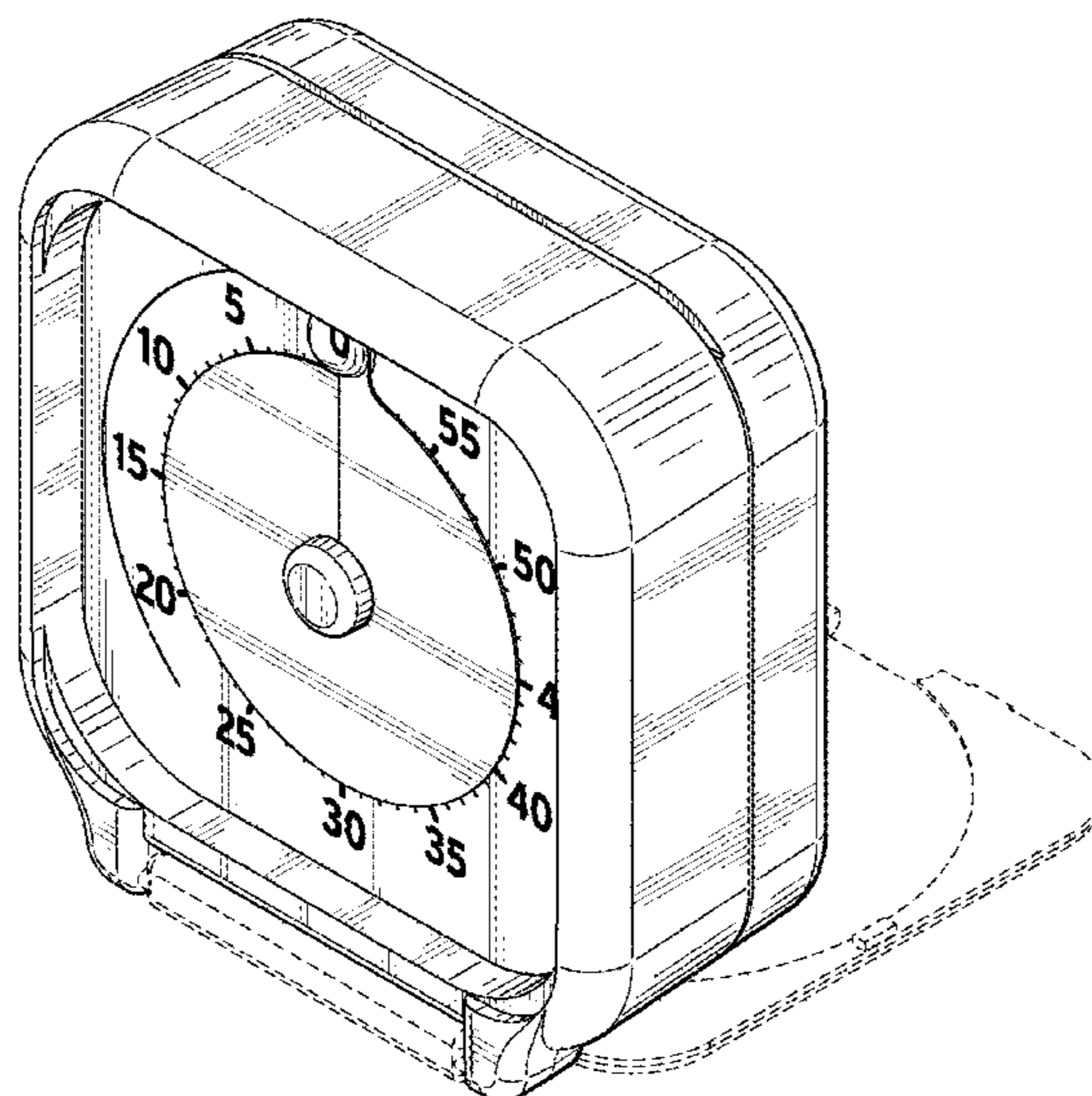
(56) **References Cited**

U.S. PATENT DOCUMENTS

2,011,517 A 8/1935 Geoffrion
2,336,563 A 12/1943 Nielsen
2,690,801 A * 10/1954 Perl G04C 23/02
368/97

(Continued)

1 Claim, 14 Drawing Sheets



(56)

References Cited

U.S. PATENT DOCUMENTS

2,816,373 A 12/1957 Caddy
 3,608,214 A 9/1971 Rancati
 3,668,858 A 6/1972 Hartwig
 3,803,831 A 4/1974 Horzick
 D270,844 S * 10/1983 McIntyre D18/10
 D283,403 S * 4/1986 Chan D10/15
 4,849,951 A * 7/1989 Jauch G04F 1/00
 368/89
 4,885,731 A 12/1989 Massaro
 D321,141 S 10/1991 Aikawa
 5,110,140 A * 5/1992 Breslow A63F 1/10
 273/459
 D369,619 S 5/1996 Rogers
 D378,495 S * 3/1997 Gillespie D10/1
 5,662,479 A 9/1997 Rogers
 5,668,782 A * 9/1997 Crawford G04B 19/28
 116/309
 5,757,732 A * 5/1998 Kuo G04C 21/16
 368/262
 6,683,821 B1 1/2004 Emtyazi
 D489,995 S * 5/2004 Wu D10/15
 D532,706 S * 11/2006 Bhavnani D10/2
 D583,686 S 12/2008 Forakis
 D585,767 S * 2/2009 Woodard D10/15
 D626,016 S * 10/2010 Lin D10/22
 D671,016 S 11/2012 Rogers et al.
 D686,093 S 7/2013 Wright et al.
 D705,089 S 5/2014 Rogers et al.
 D710,819 S * 8/2014 Poandl D14/171
 D770,310 S 11/2016 Rogers et al.
 D785,471 S 5/2017 Rogers et al.
 D796,349 S 9/2017 Rogers et al.

D802,450 S * 11/2017 Boynton D10/50
 10,303,123 B1 5/2019 Rogers et al.
 D863,990 S * 10/2019 Hu D10/52

FOREIGN PATENT DOCUMENTS

EM 002140608-001 3/2013
 EM 002140608-002 3/2013
 EM 002140608-003 3/2013
 EM 002140608-004 3/2013
 EM 002140608-005 3/2013
 EP 3483662 B1 12/2019

OTHER PUBLICATIONS

Rogers, David M., Declaration of David M. Rogers, Jul. 22, 2020, 17 pgs., Cincinnati, Ohio, USA.
 Deercy Digital Kitchen Timer—posted at amazon.com Jan. 14, 2016 © 1996-2018, Amazon.com, Inc [online][site visited Jul. 2, 2018]. Available from internet: <<https://www.amazon.com/DEERCY-Digital-Kitchen-Display-Simplest/dp/B06WGYZW8R>> (Year: 2016).
 Taylor Rotating Timer Kitchen I posted at amazon.com Mar. 2015 © 1996-2018, Amazon.com, Inc [online][site visited Jul. 2, 2018] Available from internet: <https://www.amazon.com/Taylor-Precision-Products-Mechanical-Rotating/dp/B00UKIOKRG/ref=sr_1_8?s=kitchen&srs=9503531011&ie=UTF8&qid=1530552102&sr=1-8> (Year: 2015).
 Visual Schedule Kit for the Time Timer, published in 2014, Time Timer, full document (Year: 2014).
 European Patent Office, Search Report and Opinion, dated Mar. 26, 2019, 5 pgs., European Patent Office, Munich, Germany.

* cited by examiner

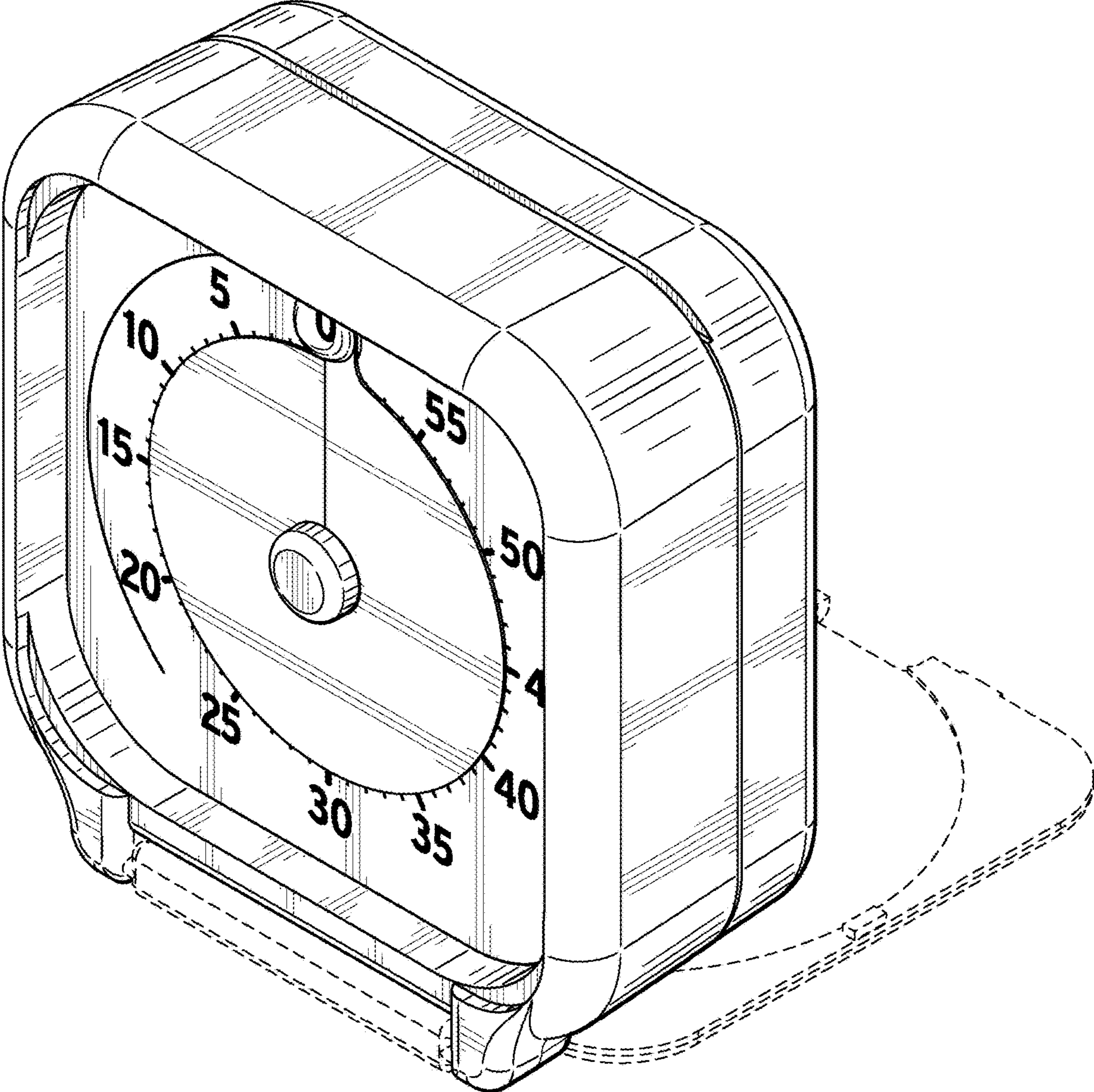


FIG. 1

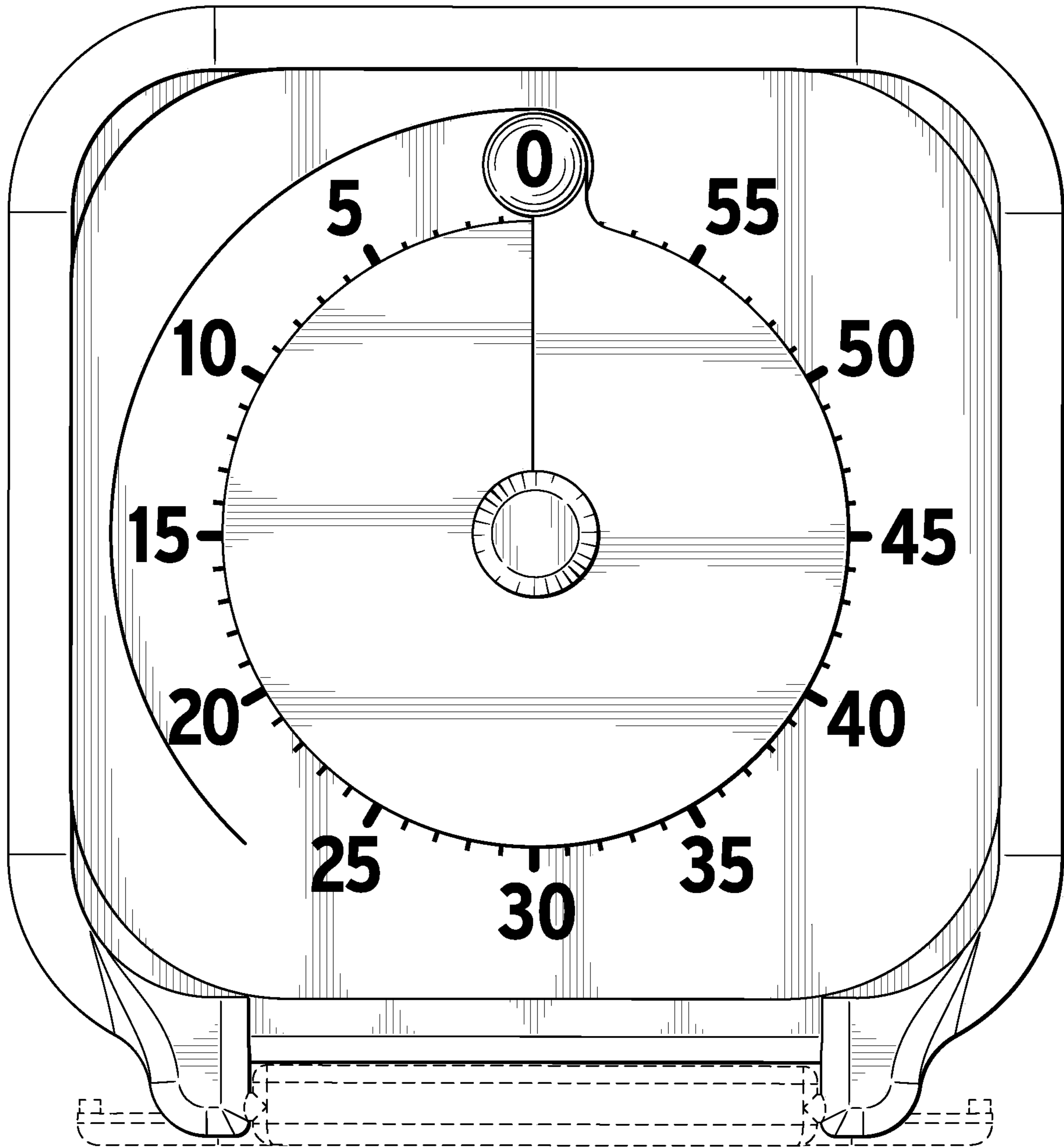


FIG. 2

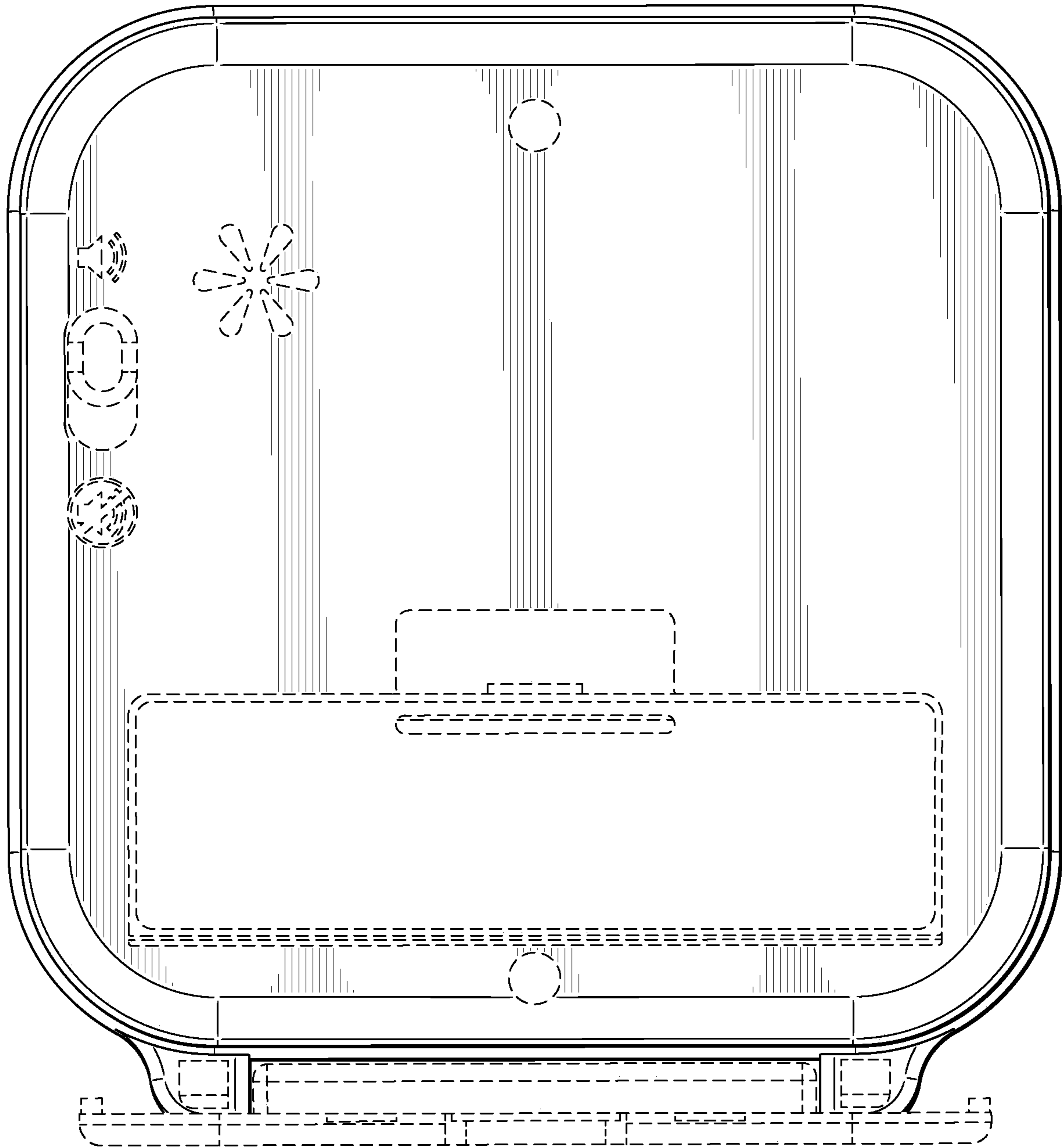


FIG. 3

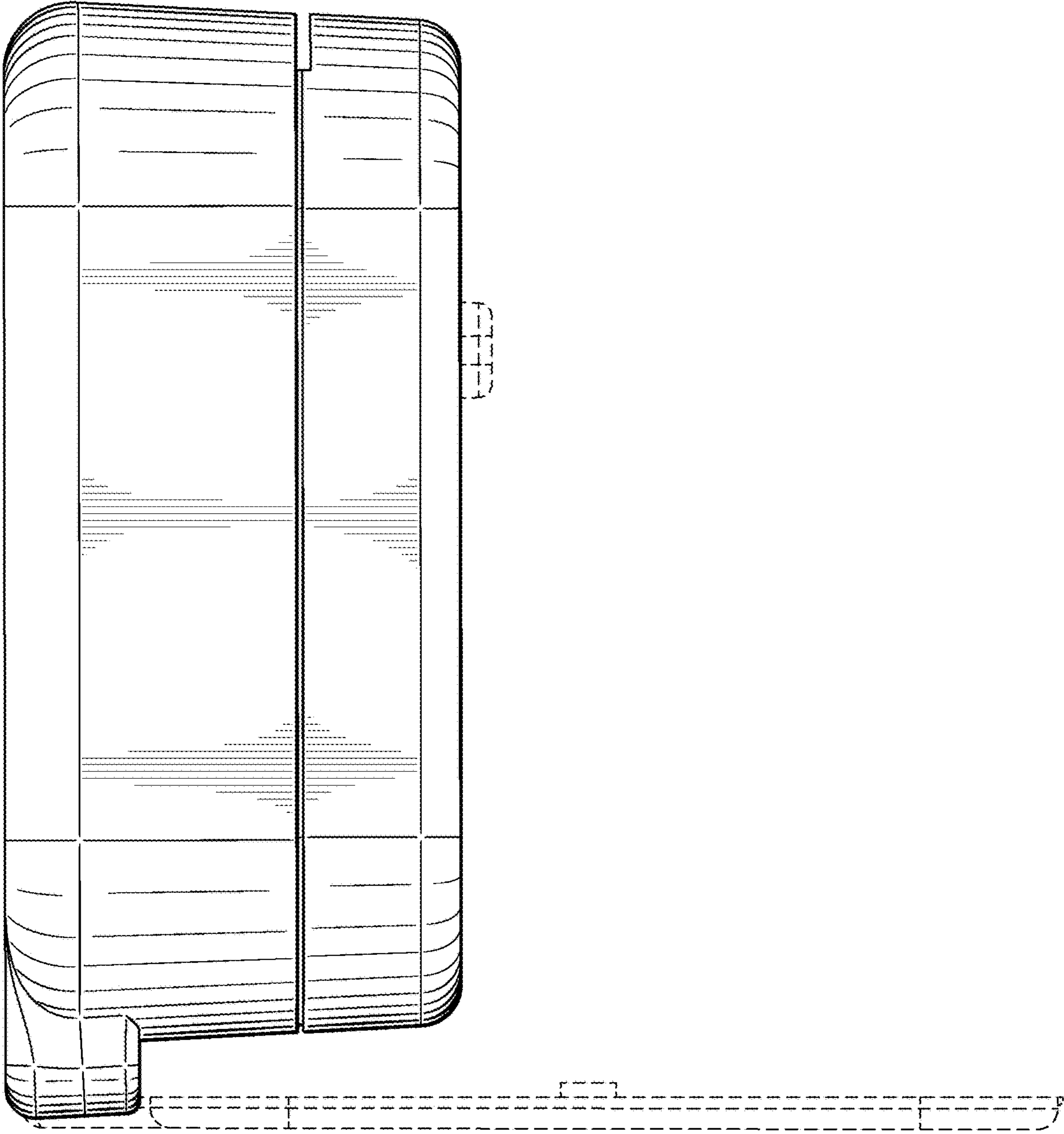


FIG. 4

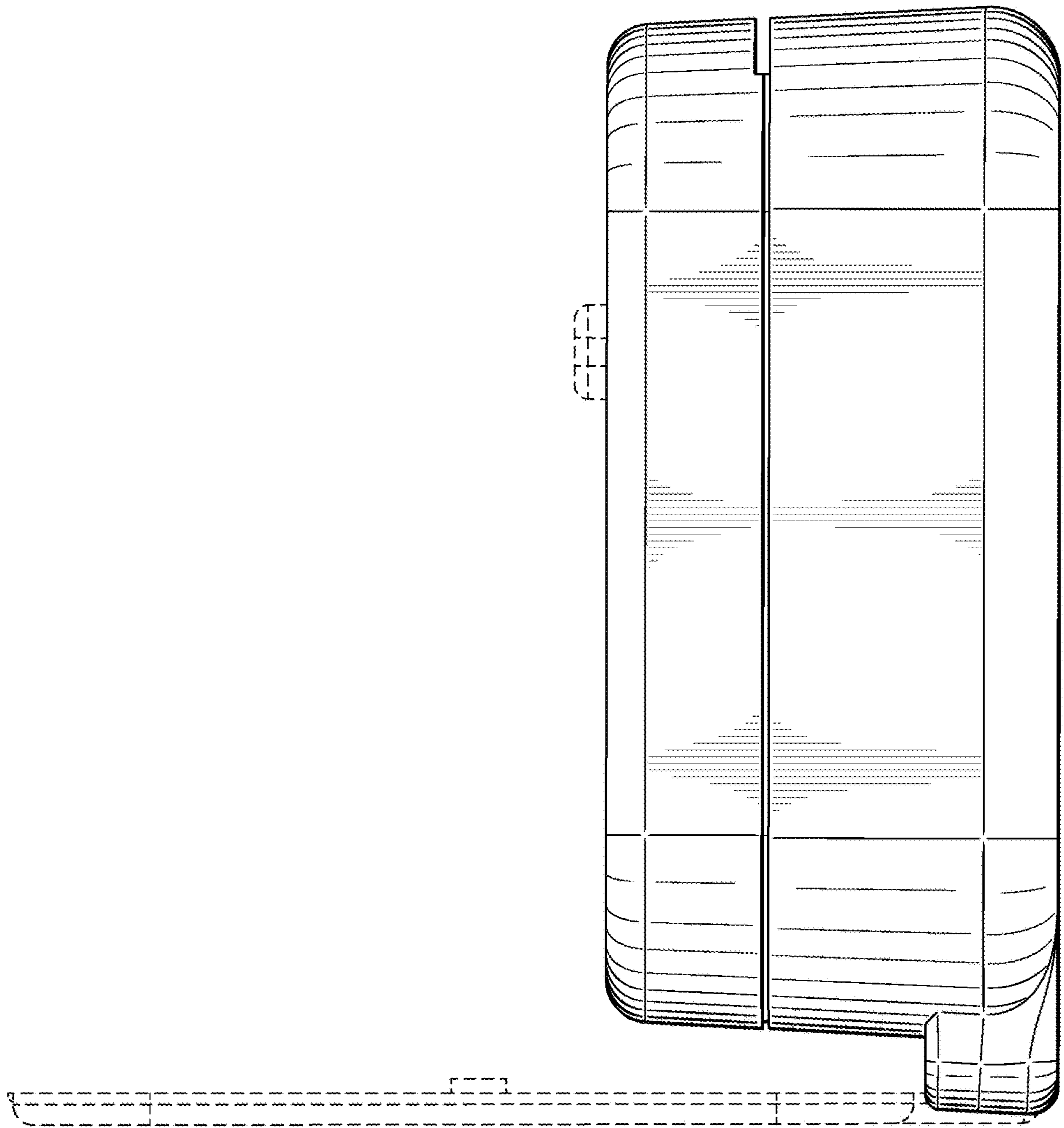


FIG. 5

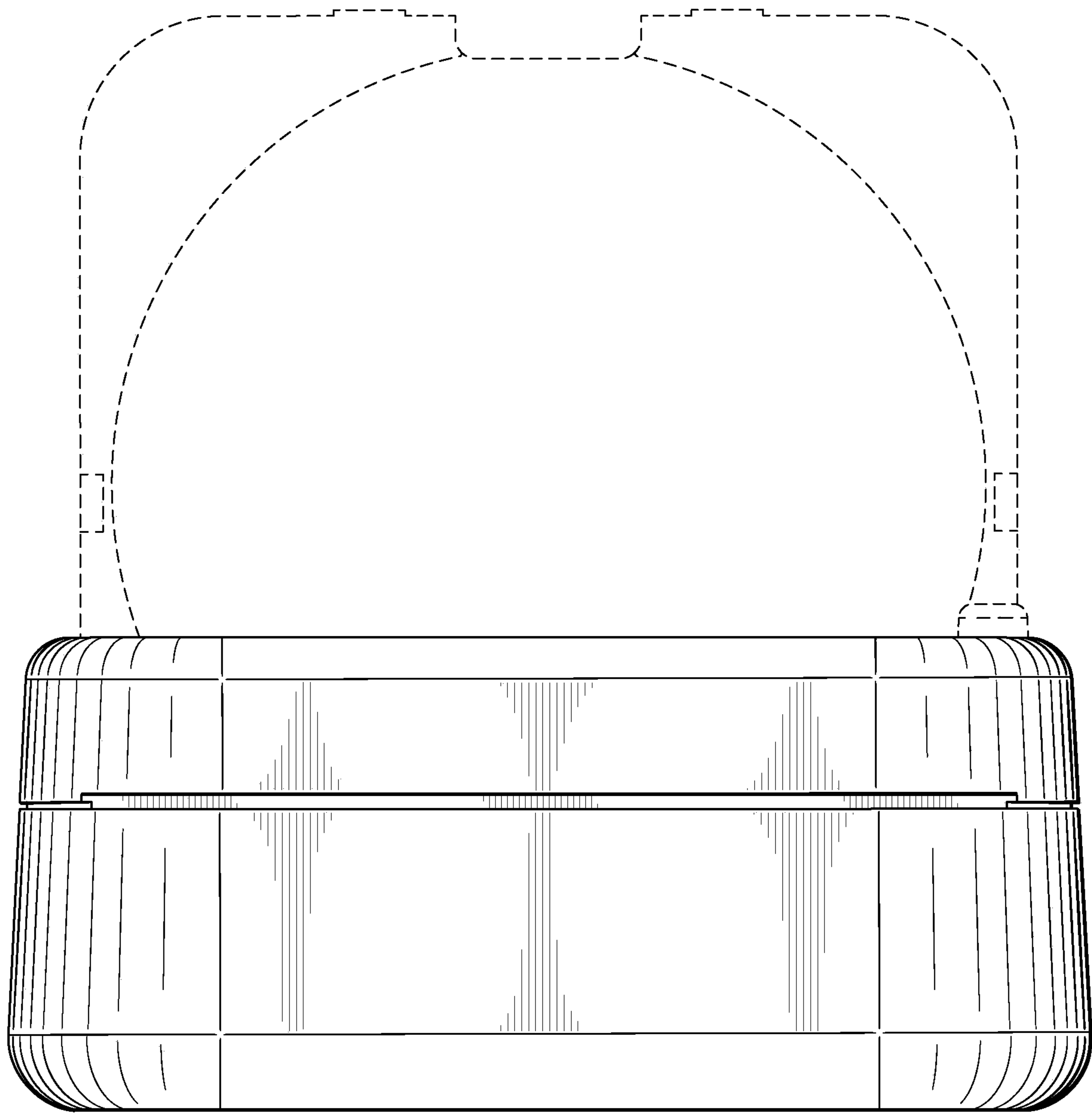


FIG. 6

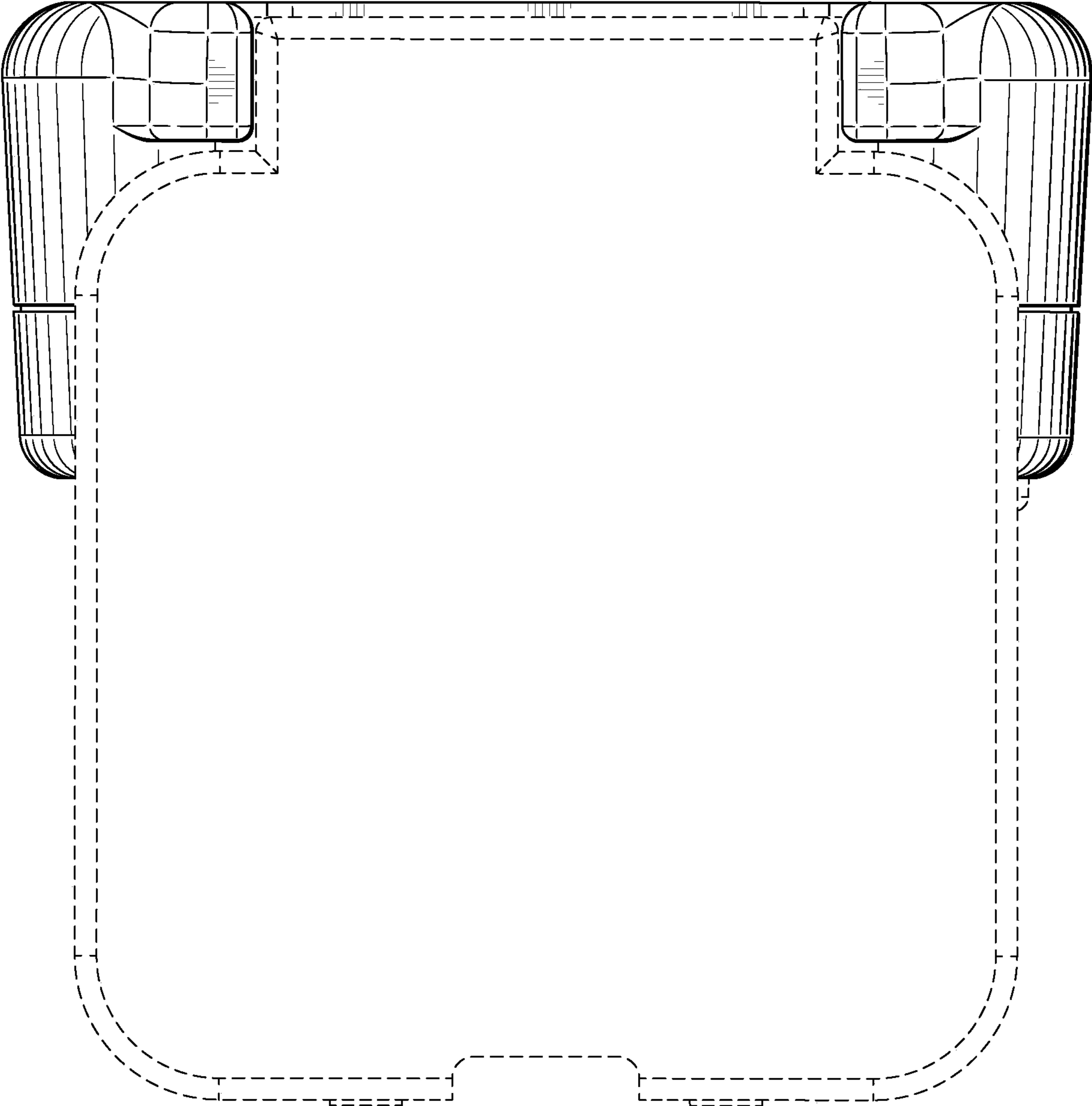


FIG. 7

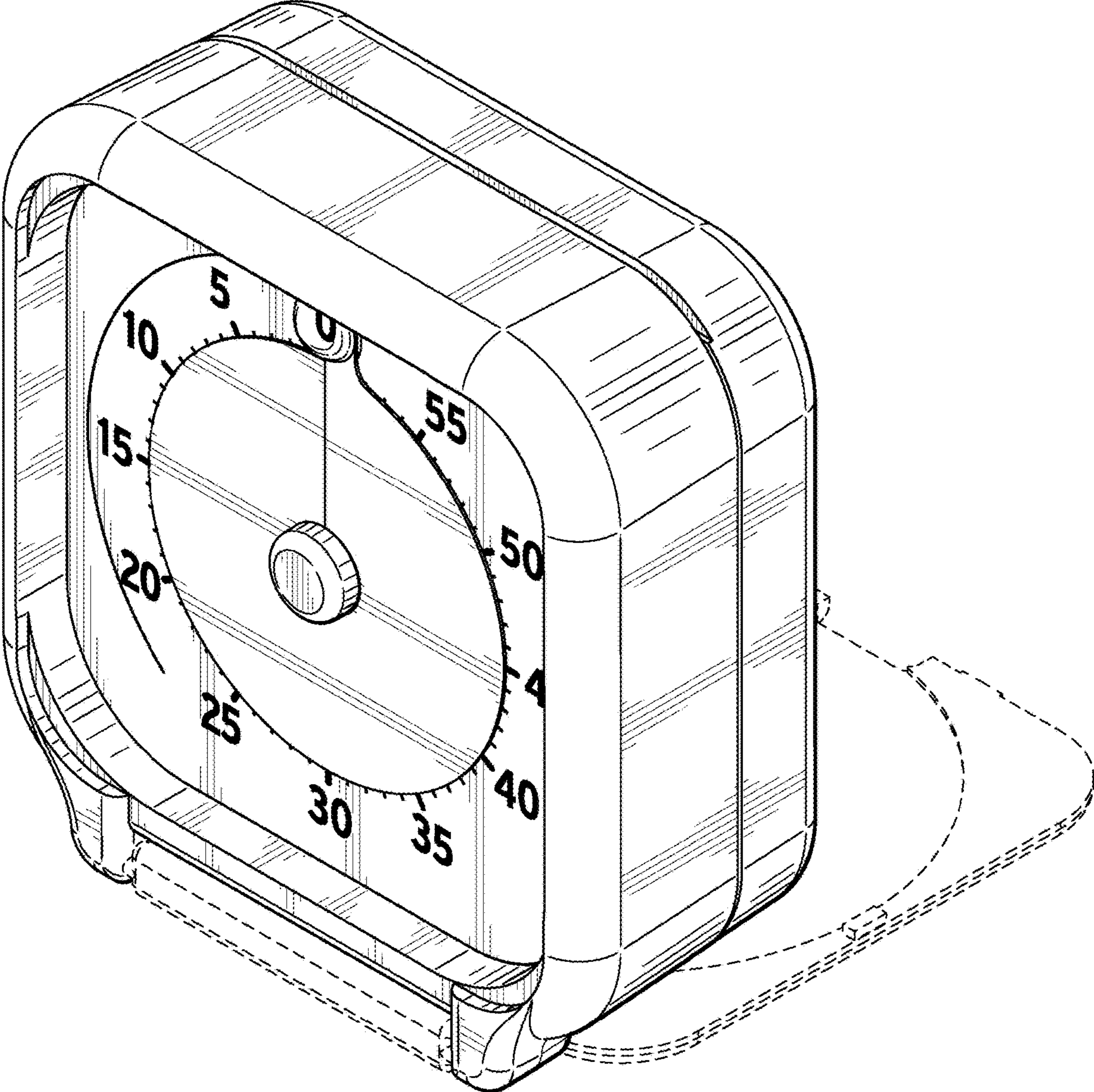


FIG. 8

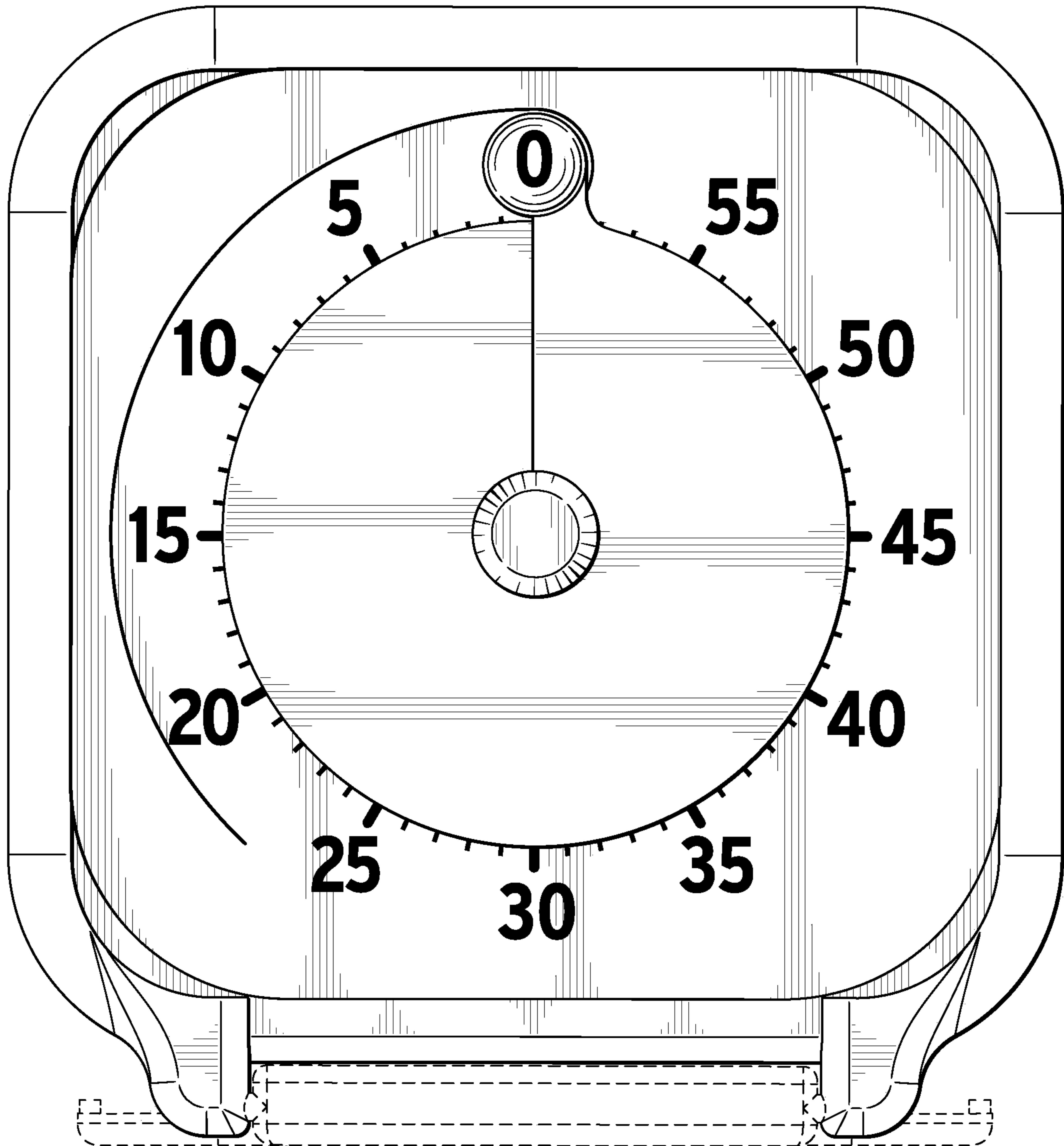


FIG. 9

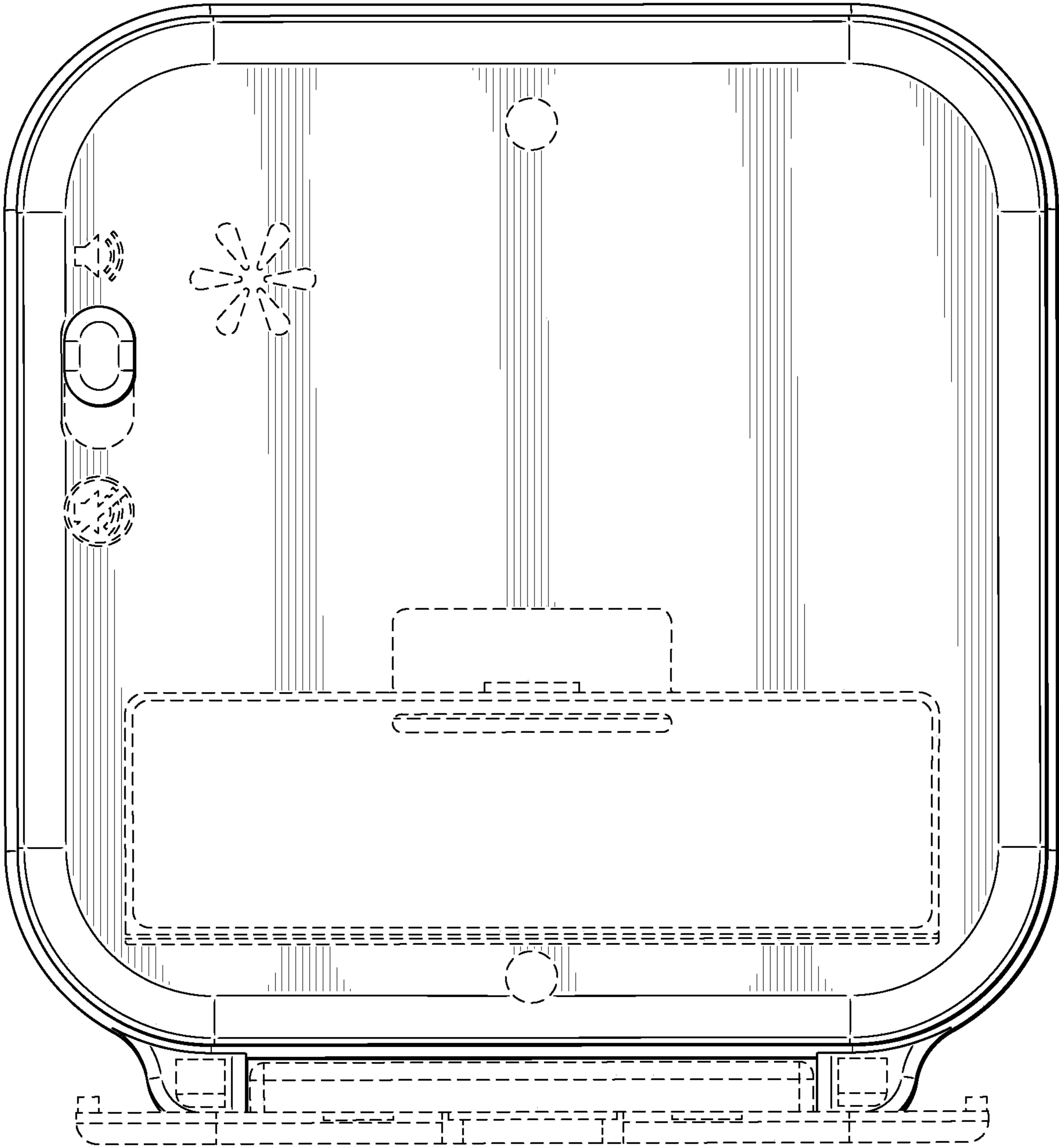


FIG. 10

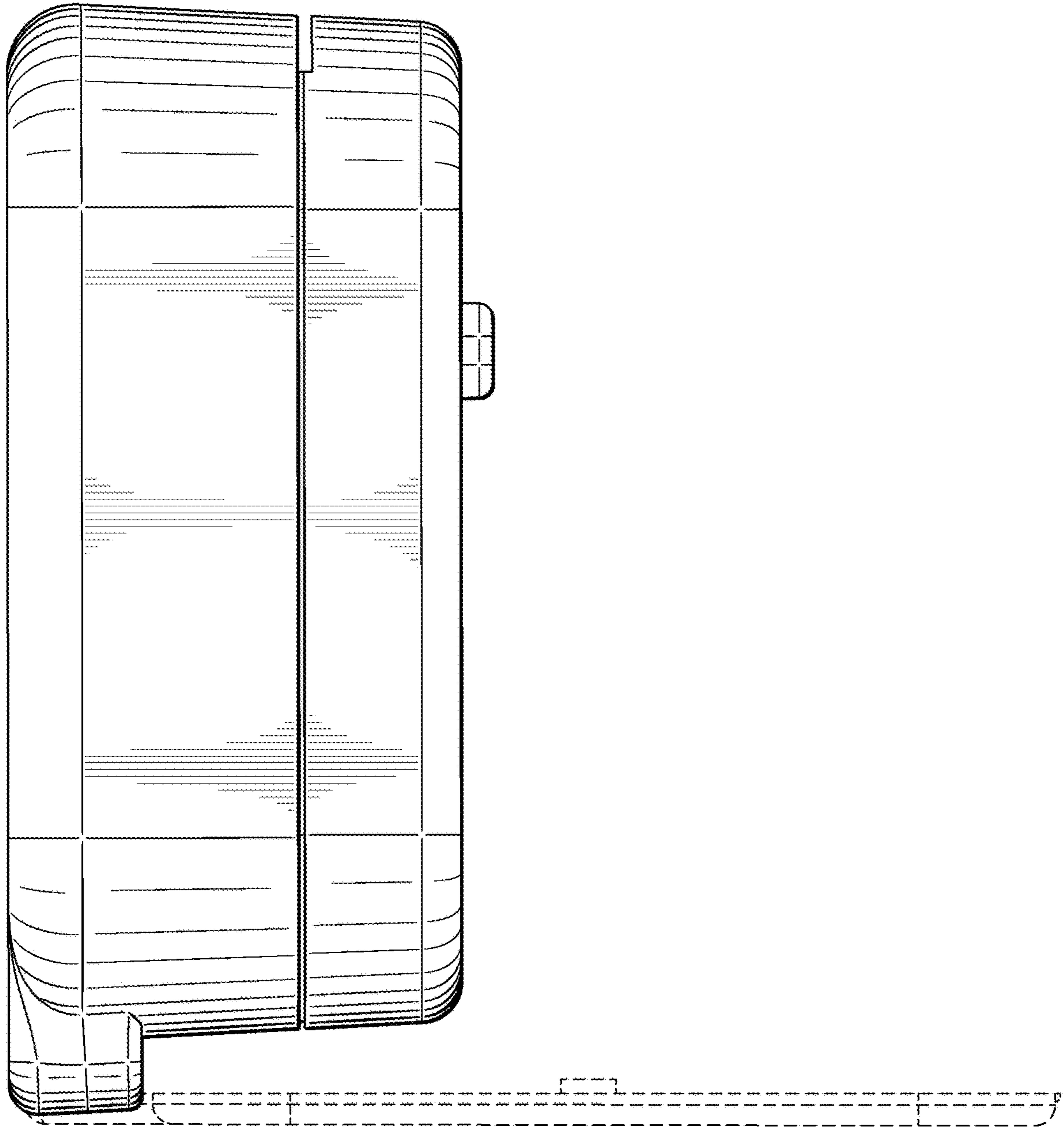


FIG. 11

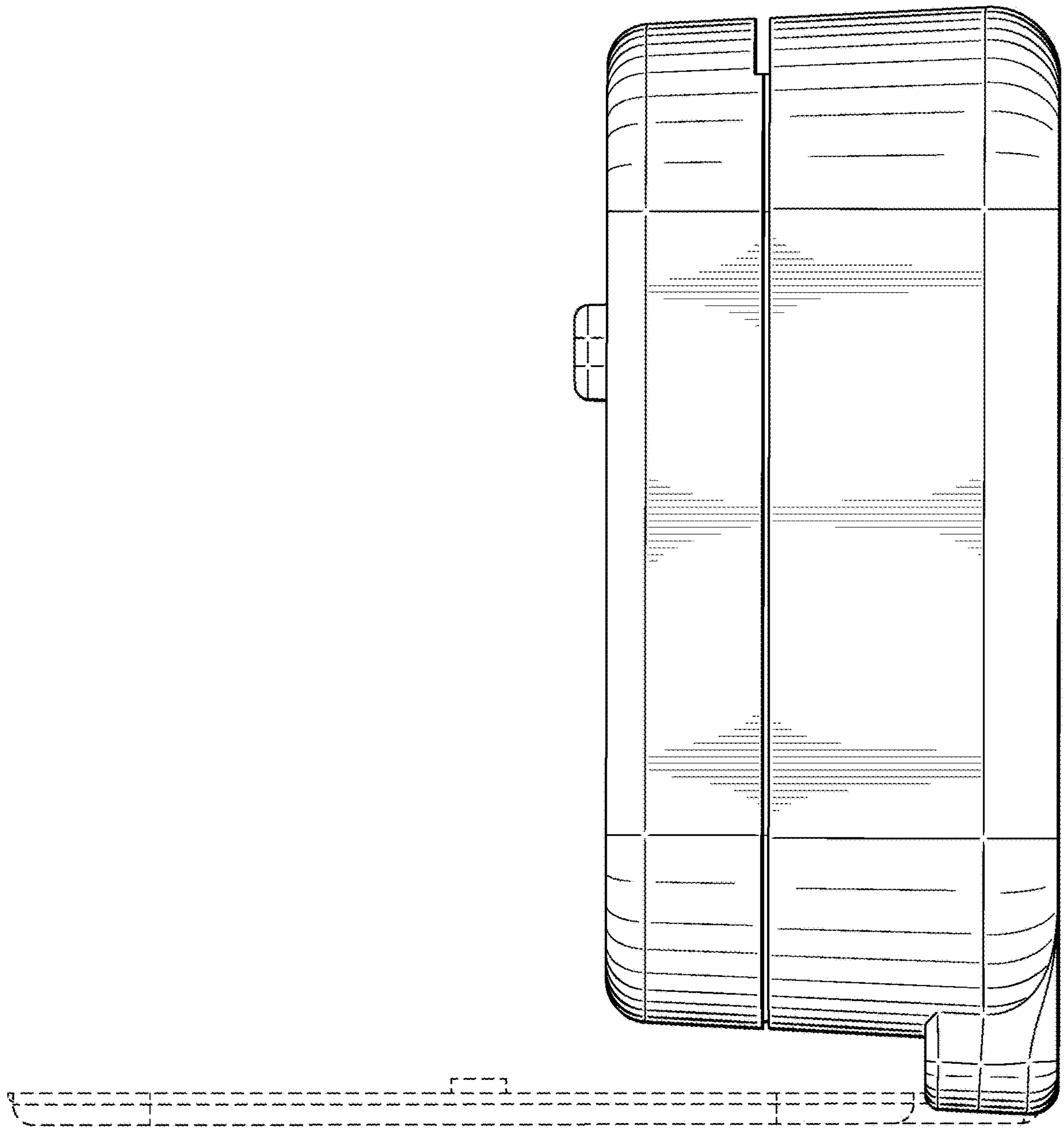


FIG. 12

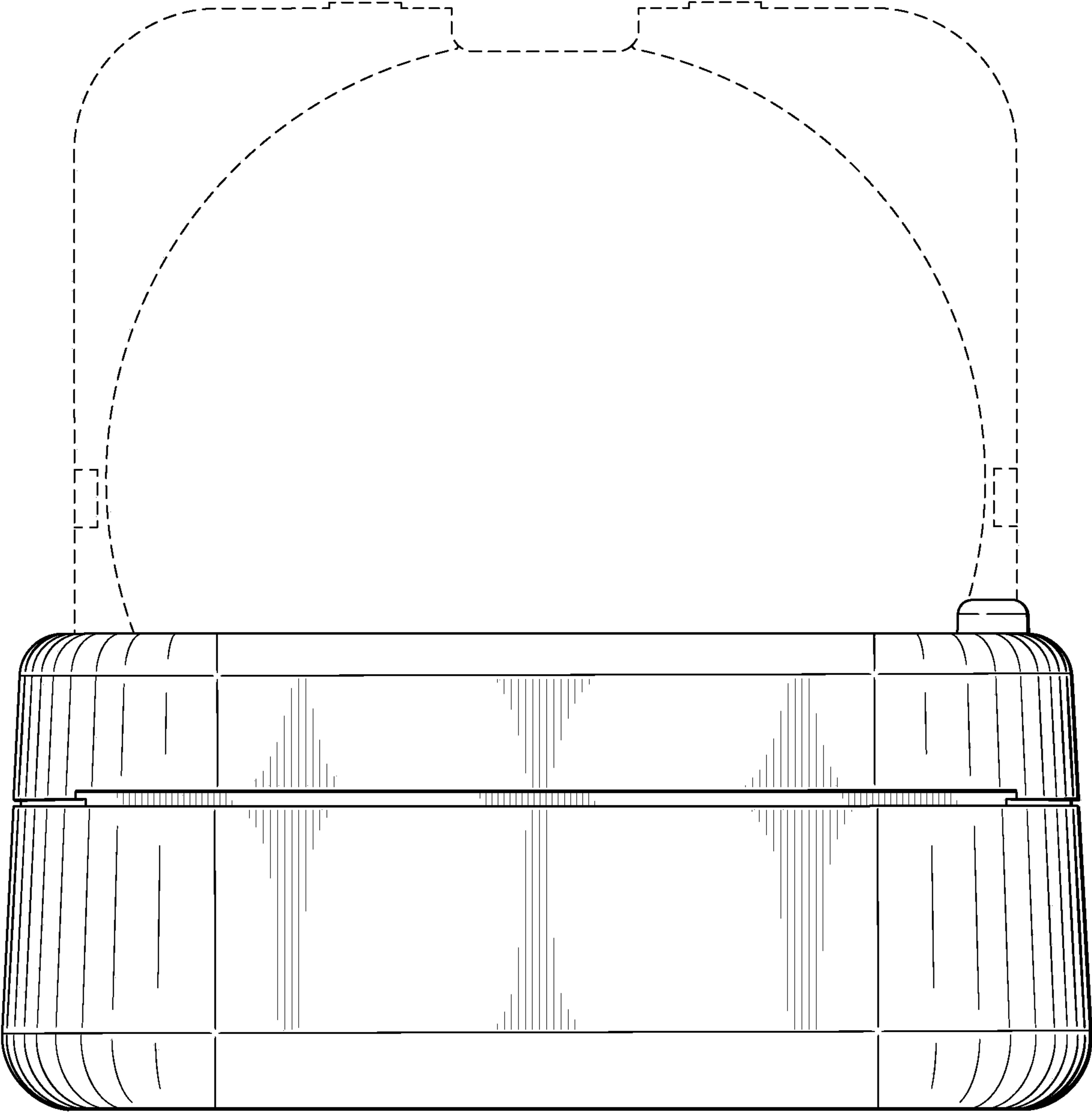


FIG. 13

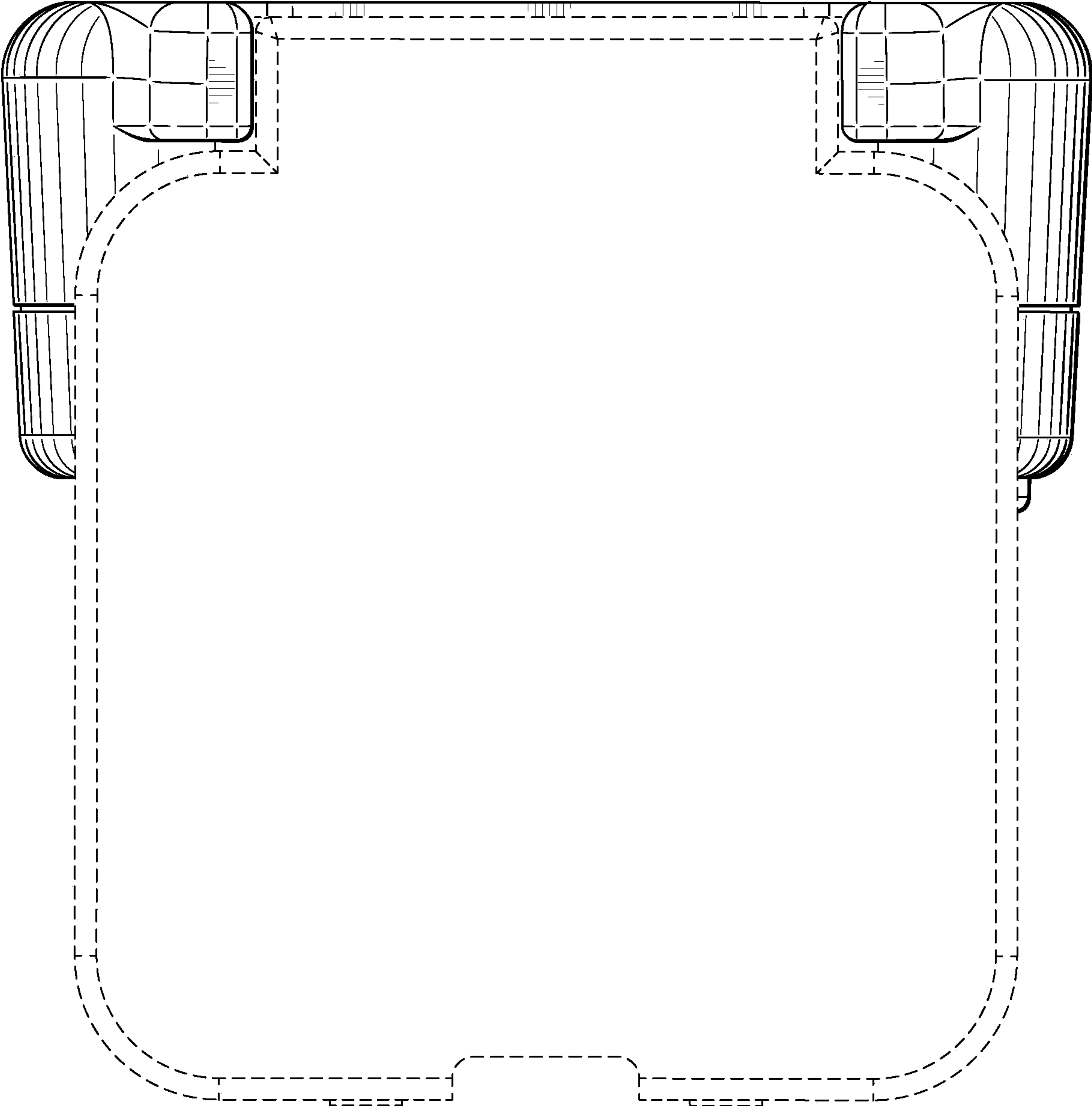


FIG. 14