



US00D912545S

(12) **United States Design Patent**
Macaluso

(10) **Patent No.:** **US D912,545 S**
(45) **Date of Patent:** **** Mar. 9, 2021**

(54) **WATCH**

(71) Applicant: **Sowind SA**, La Chaux-de-Fonds (CH)

(72) Inventor: **Stefano Macaluso**, La Neuveville (CH)

(73) Assignee: **Sowind SA**, La Chaux-de-Fonds (CH)

(**) Term: **15 Years**

(21) Appl. No.: **29/640,133**

(22) Filed: **Mar. 12, 2018**

(30) **Foreign Application Priority Data**

Sep. 14, 2017 (CH) 143456

(51) **LOC (13) Cl.** **10-02**

(52) **U.S. Cl.**
USPC **D10/39**

(58) **Field of Classification Search**

USPC D10/1-2, 6, 14-15, 30-39, 40-41, 98,
D10/102, 121-126, 128-129; D11/3-5,
D11/12, 18-19, 23, 93; D14/344
CPC .. A44C 5/02; G04B 17/28-285; G04B 19/00;
G04B 19/048; G04B 19/06; G04B
19/065; G04B 19/08; G04B 19/085;
G04B 19/087; G04B 19/10; G04B
19/103; G04B 19/106; G04B 19/12;
G04B 19/16; G04B 19/22; G04B 19/223;
G04B 19/24; G04B 19/243; G04B 29/00;
G04B 37/00; G04B 37/008; G04B
37/0058; G04B 37/12; G04B 37/14;
G04B 37/1486; G04B 45/0069; G04B
45/0076; G04B 47/00; G04B 47/048

See application file for complete search history.

(56) **References Cited**

U.S. PATENT DOCUMENTS

D336,865 S * 6/1993 Besson D10/128
D568,180 S * 5/2008 Laucella D10/39

D611,866 S * 3/2010 Dias D10/129
D636,692 S * 4/2011 Pospieszny D10/129
D648,639 S * 11/2011 Mille D10/39
D653,128 S * 1/2012 Vaptzarof D10/39
8,303,167 B2 * 11/2012 Dehon G04B 15/14
368/127
D725,500 S * 3/2015 Biver D10/124
D744,354 S * 12/2015 Loth D10/126
D799,987 S * 10/2017 Mille D10/30
D823,138 S * 7/2018 Mille D10/39
D823,140 S * 7/2018 Mille D10/39
D836,006 S * 12/2018 Macaluso D10/39

(Continued)

OTHER PUBLICATIONS

Girard-Perregaux Lauteato Skeleton | posted at timetransformed.com Aug. 2017 [online].[retrieved Mar. 15, 2019] from Internet: <<https://timetransformed.com/2017/08/06/girard-perregaux-laureato-skeleton/>> (Year: 2017).*

(Continued)

Primary Examiner — Sandra Snapp
Assistant Examiner — Katherine Glennon
(74) *Attorney, Agent, or Firm* — Sughrue Mion, PLLC

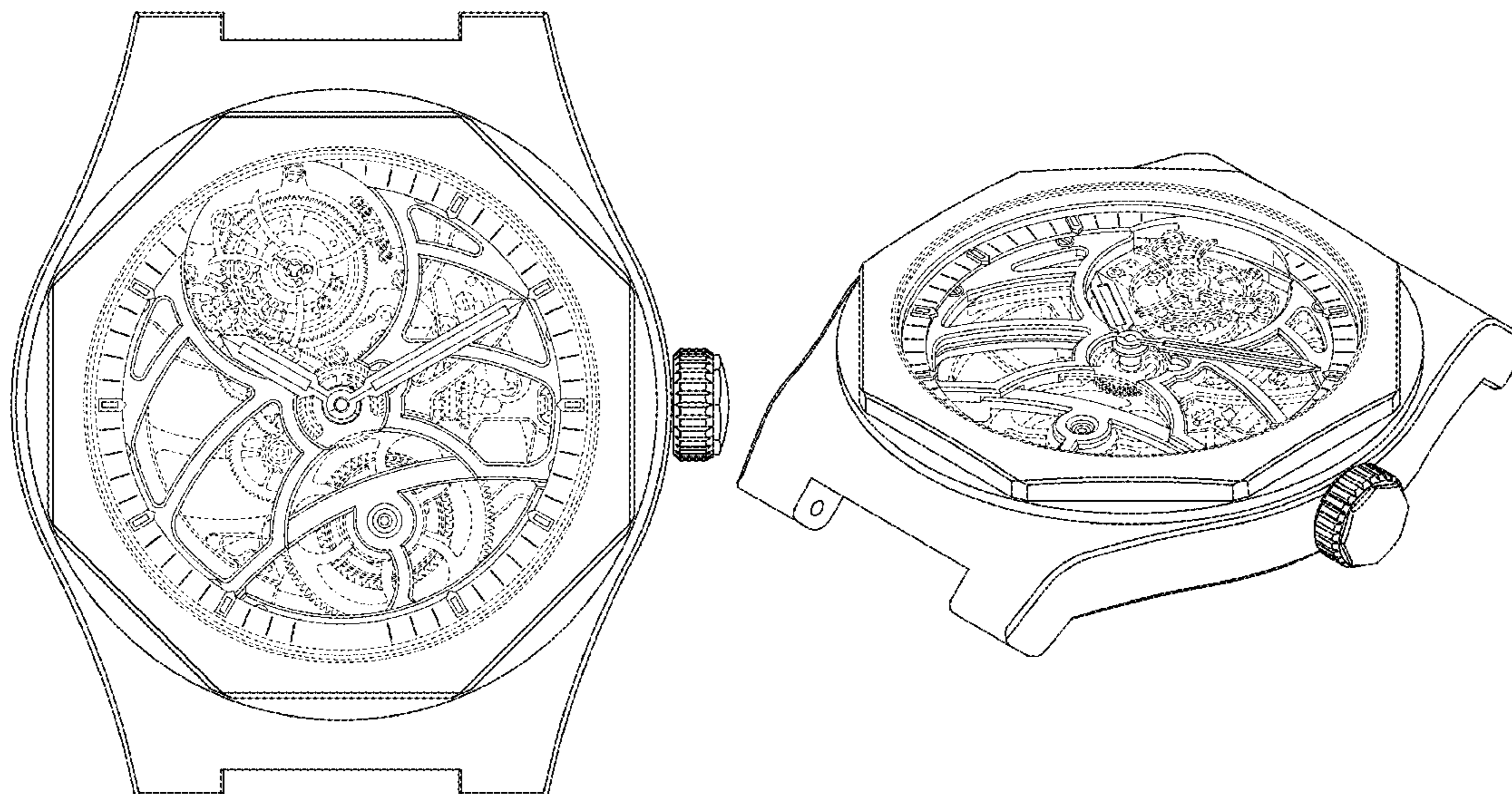
(57) **CLAIM**

The ornamental design for a watch, as shown and described.

DESCRIPTION

FIG. 1 is a front view of a watch showing my design;
FIG. 2 is a perspective view thereof;
FIG. 3 is a right side view thereof;
FIG. 4 is a left side view thereof;
FIG. 5 is a rear view thereof;
FIG. 6 is a rear perspective view thereof; and,
FIG. 7 is a bottom view thereof.
The broken lines show portions of the watch that form no part of the claimed design.

1 Claim, 7 Drawing Sheets



(56)

References Cited

U.S. PATENT DOCUMENTS

2008/0198701 A1* 8/2008 Lete G04B 17/285
368/127
2016/0266547 A1* 9/2016 Kawauchiya G04B 15/10
2018/0074459 A1* 3/2018 Buttet G04B 17/063
2018/0088531 A1* 3/2018 Mutrux G04B 17/285

OTHER PUBLICATIONS

Girard-Perregaux Lauteato Skeleton Ceramic | posted at hodinkee.com Dec. 2017 [online].[retrieved Mar. 15, 2019] from Internet: <<https://www.hodinkee.com/articles/girard-perregaux-laureato-skeleton-ceramic-us-edition-introducing>> (Year: 2017).*

* cited by examiner



FIG. 1

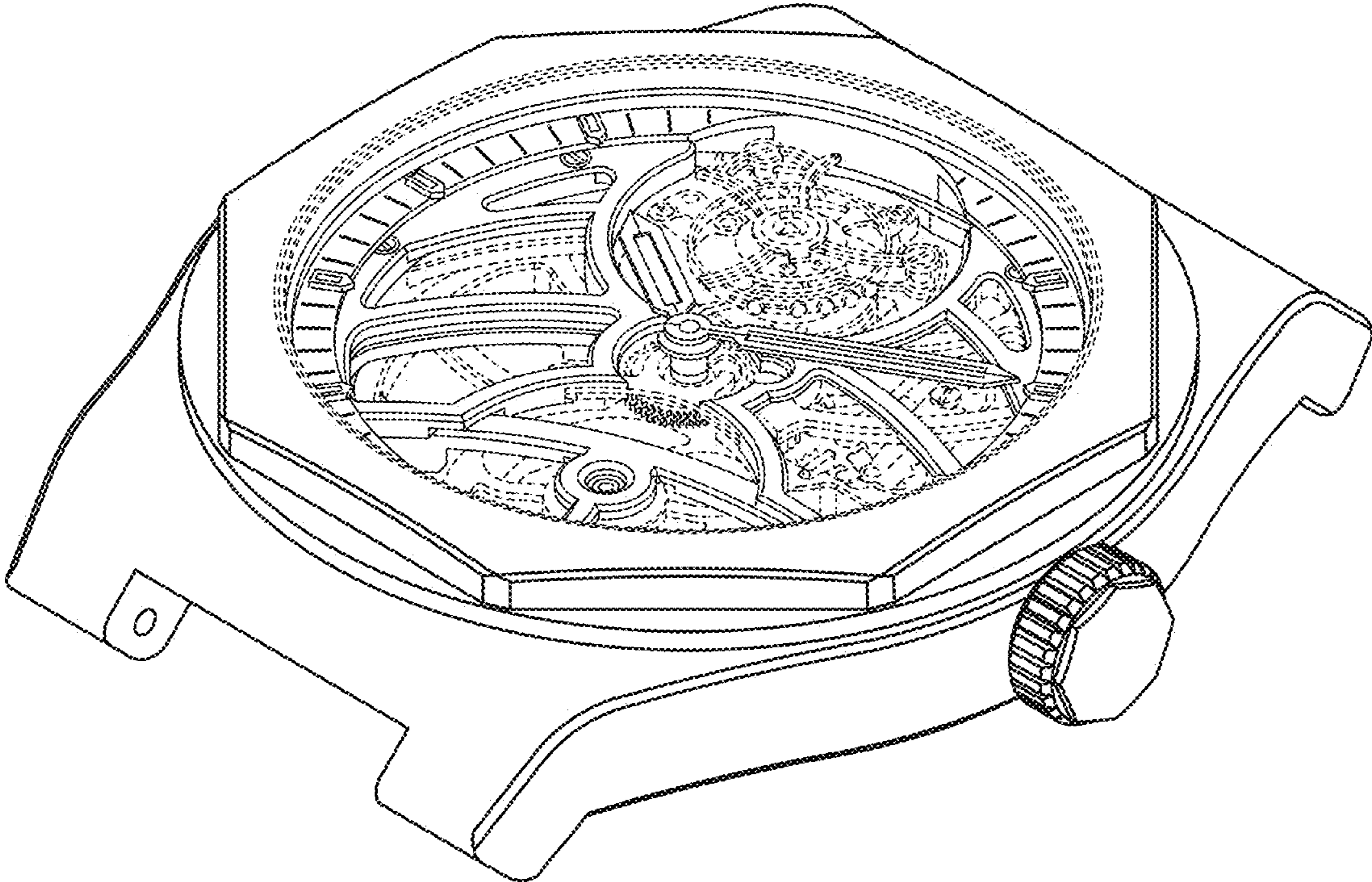


FIG. 2

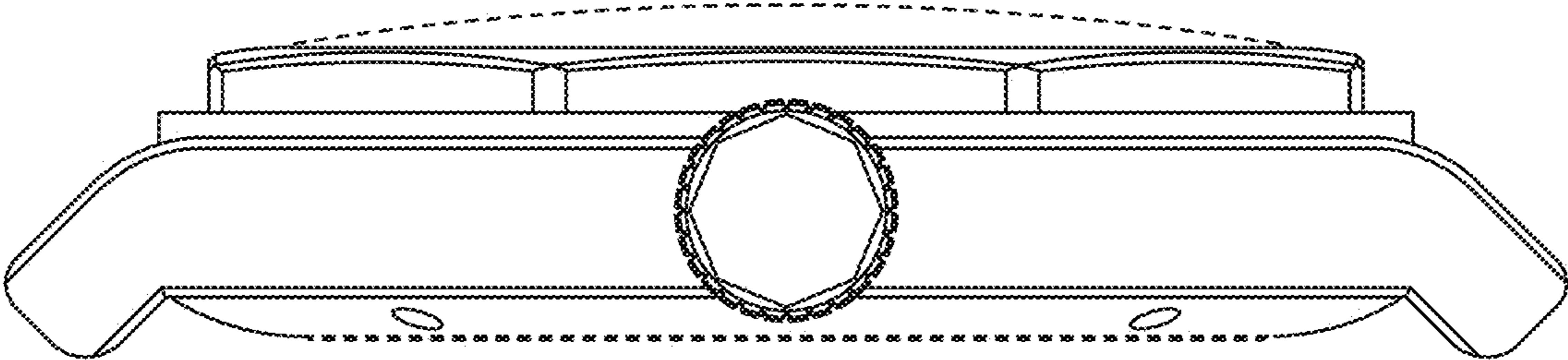


FIG. 3

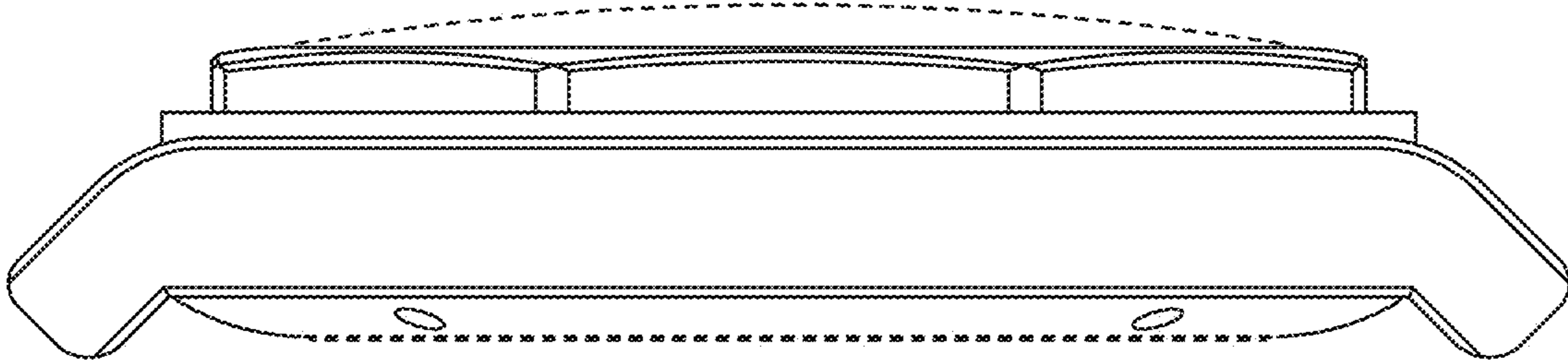


FIG. 4



FIG. 5

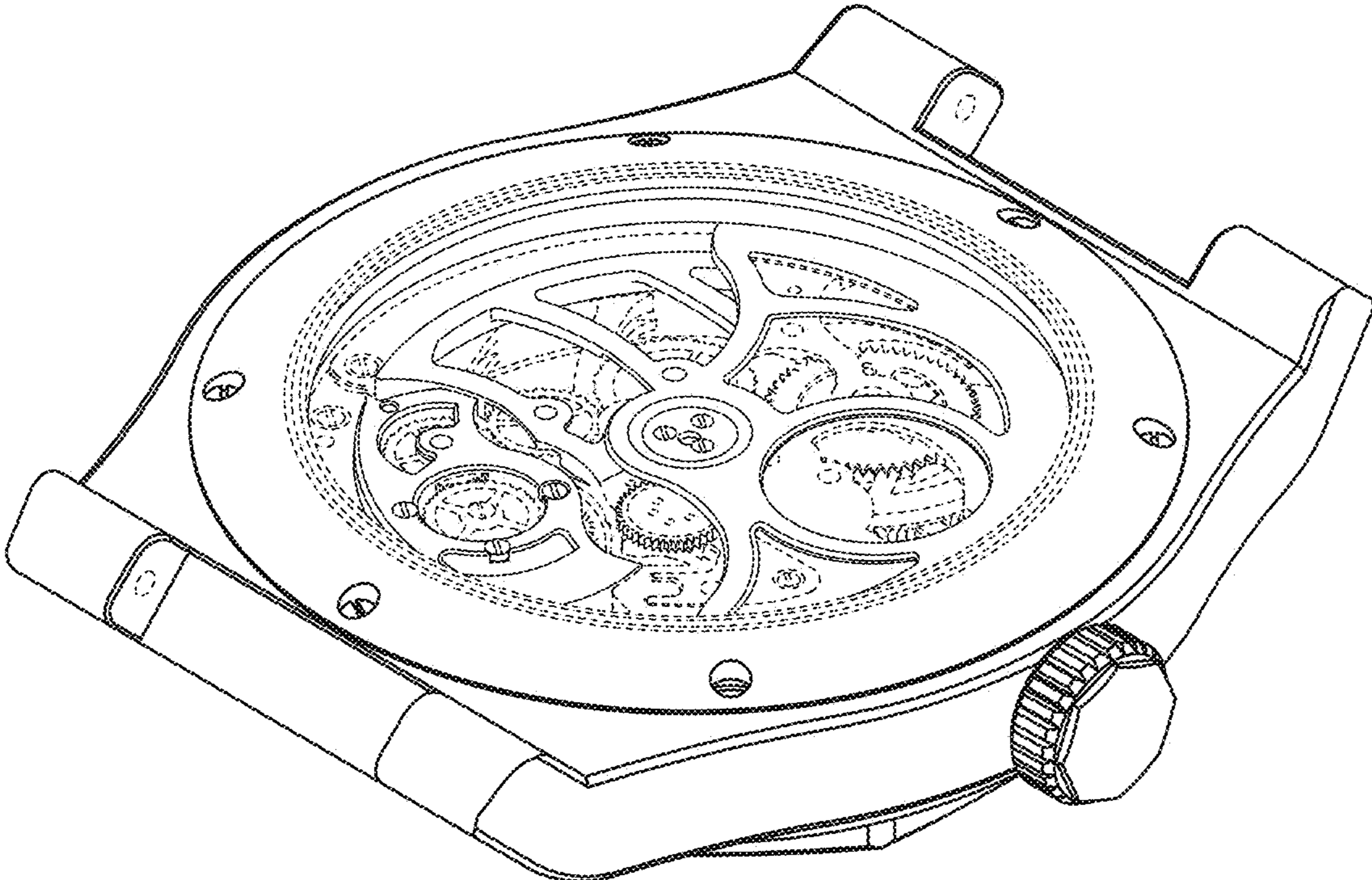


FIG. 6

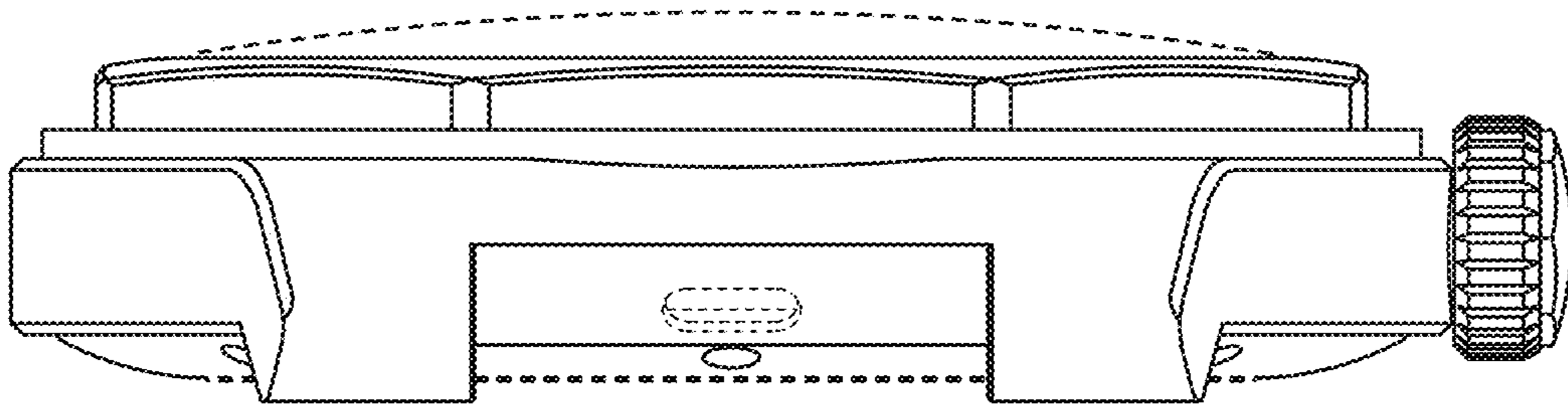


FIG. 7