



US00D912541S

(12) **United States Design Patent**
Hashimoto

(10) **Patent No.:** **US D912,541 S**
(45) **Date of Patent:** **** Mar. 9, 2021**

(54) **WATCH CASE**

D673,464 S * 1/2013 Perko D10/38
D704,573 S * 5/2014 Tedeschi D10/39
8,851,743 B1 * 10/2014 Lalo G04B 3/043
368/315

(71) Applicant: **CASIO KEISANKI KABUSHIKI**
KAISHA, Tokyo (JP)

(Continued)

(72) Inventor: **Ichiro Hashimoto**, Kanagawa (JP)

Primary Examiner — Katherine Glennon

(73) Assignee: **CASIO KEISANKI KABUSHIKI**
KAISHA, Tokyo (JP)

(74) *Attorney, Agent, or Firm* — Holtz, Holtz & Volek PC

(**) Term: **15 Years**

(57) **CLAIM**

The ornamental design for a watch case, as shown and described.

(21) Appl. No.: **29/661,144**

DESCRIPTION

(22) Filed: **Aug. 24, 2018**

(30) **Foreign Application Priority Data**

Mar. 22, 2018 (CN) 201830107677.4

(51) **LOC (13) Cl.** **10-02**

(52) **U.S. Cl.**
USPC **D10/38**

(58) **Field of Classification Search**
USPC D10/30–39, 40–41, 65, 70, 97–98, 122,
D10/128; D14/344, 440; D24/167, 186
CPC G04B 19/04; G04B 19/006; G04B 19/10;
G04B 19/103; G04B 37/008; G04B
37/00–58; G04B 45/00; G04B 45/0069;
G04B 45/0076; G04G 17/00; G04G
17/02; G04G 17/08; G04G 21/00; G04G
21/02; G04G 21/08

See application file for complete search history.

(56) **References Cited**

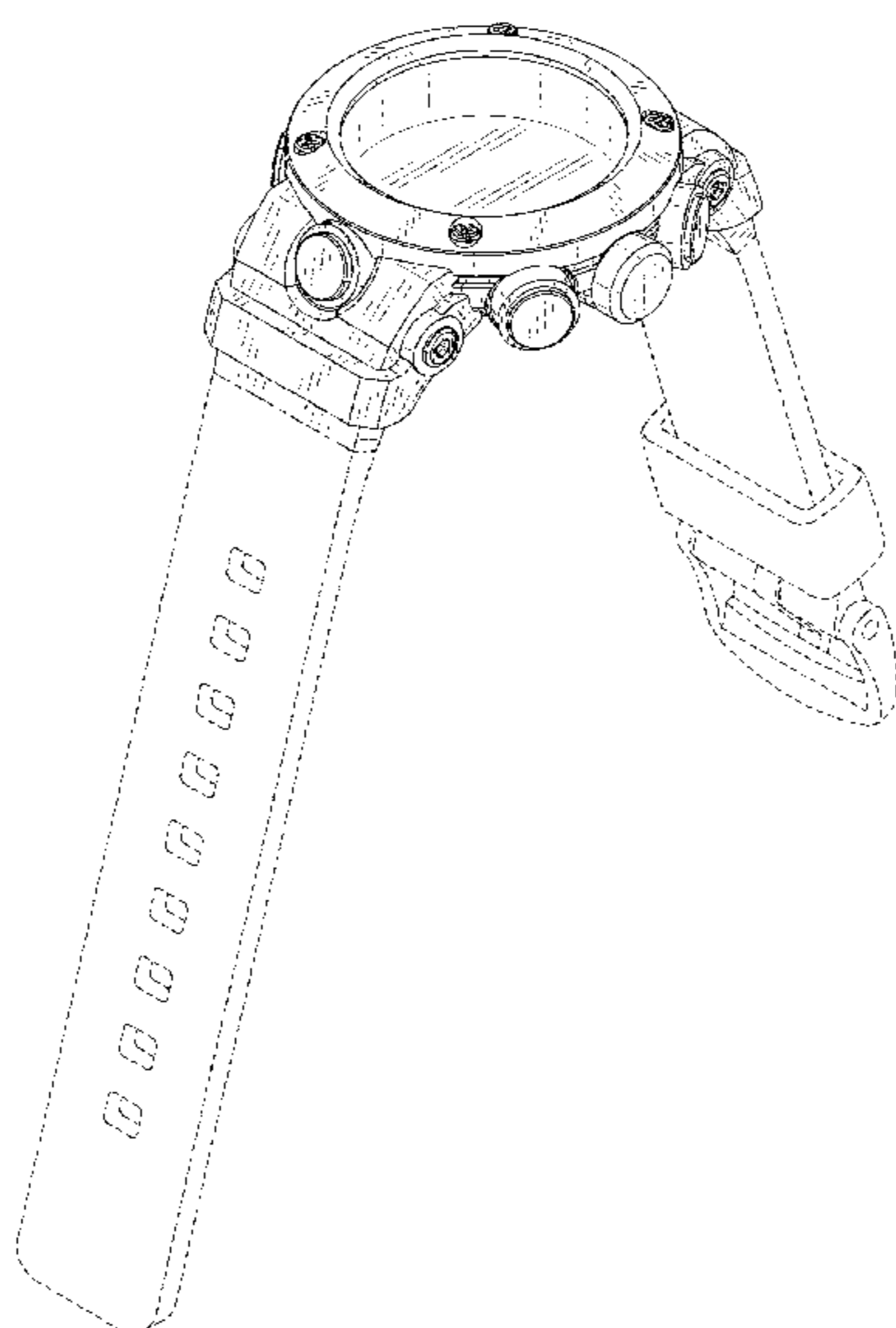
U.S. PATENT DOCUMENTS

D449,555 S * 10/2001 Matsuda D10/132
D523,357 S * 6/2006 Kummer D10/38
D526,578 S * 8/2006 Ikezu D10/38
D537,368 S * 2/2007 Oshita D10/31
D551,993 S * 10/2007 Kachi D10/38
D668,971 S * 10/2012 Tedeschi D10/39

FIG. 1 is an enlarged-scale front, right side, bottom perspective view of a watch case showing my new design; FIG. 2 is a front elevational view thereof; FIG. 3 is a rear elevational view thereof; FIG. 4 is a left side view thereof; FIG. 5 is a right side view thereof; FIG. 6 is a top plan view thereof; FIG. 7 is a bottom plan view thereof; FIG. 8 is an enlarged view of FIG. 1 shown without environmental structure; FIG. 9 is an enlarged view of FIG. 2 shown without environmental structure; FIG. 10 is an enlarged view of FIG. 3 shown without environmental structure; FIG. 11 is an enlarged view of FIG. 4 shown without environmental structure; FIG. 12 is an enlarged view of FIG. 5 shown without environmental structure; FIG. 13 is an enlarged view of FIG. 6 shown without environmental structure; and, FIG. 14 is an enlarged view of FIG. 7 shown without environmental structure.

The broken lines in the drawings represent portions of the watch case that form no part of the claimed design. The long and short dashed lines illustrate the bounds of the claimed design and form no part thereof.

1 Claim, 13 Drawing Sheets



(56)

References Cited

U.S. PATENT DOCUMENTS

| | | | |
|-------------------|---------|-------------------|----------------------|
| D733,602 S * | 7/2015 | Ikezu | D10/128 |
| D740,137 S * | 10/2015 | Syoubayashi | D10/38 |
| D740,138 S * | 10/2015 | Goto | D10/39 |
| D742,763 S * | 11/2015 | Hashimoto | D10/30 |
| D751,420 S * | 3/2016 | Nakai | D10/30 |
| D756,244 S * | 5/2016 | Bastian | D10/39 |
| 9,869,976 B2 * | 1/2018 | Perko | G04B 37/0058 |
| D820,117 S * | 6/2018 | Akagi | D10/39 |
| 2007/0041275 A1 * | 2/2007 | Barras | G04R 60/08 368/14 |

* cited by examiner

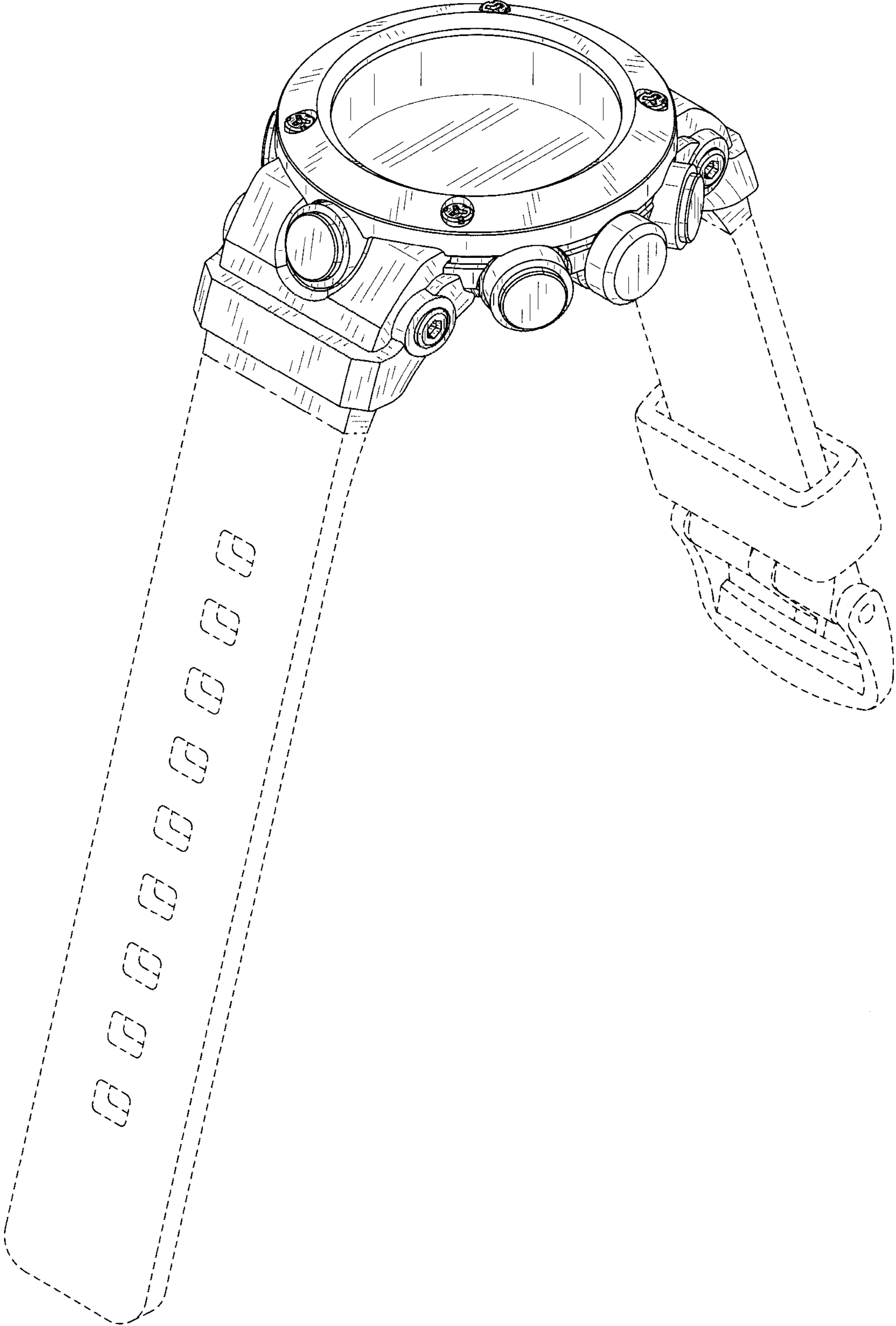


FIG. 1

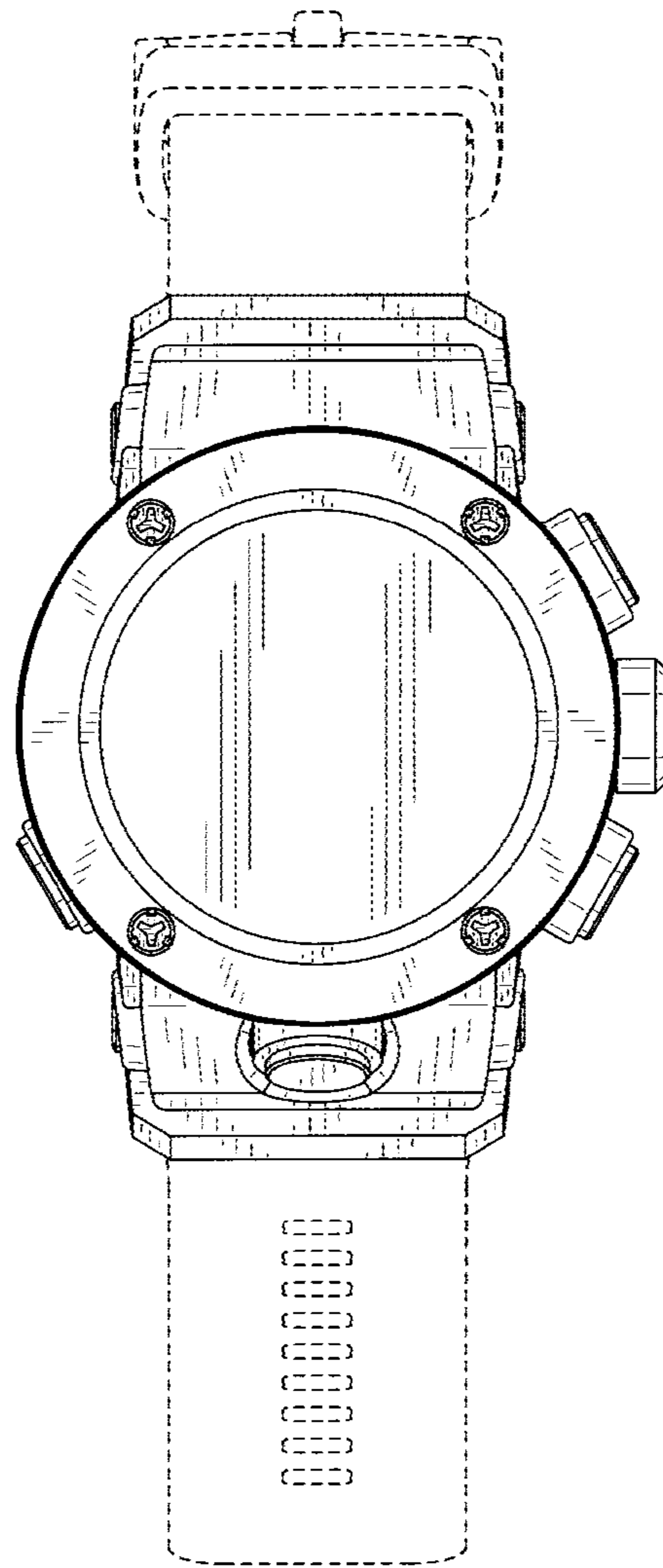


FIG. 2

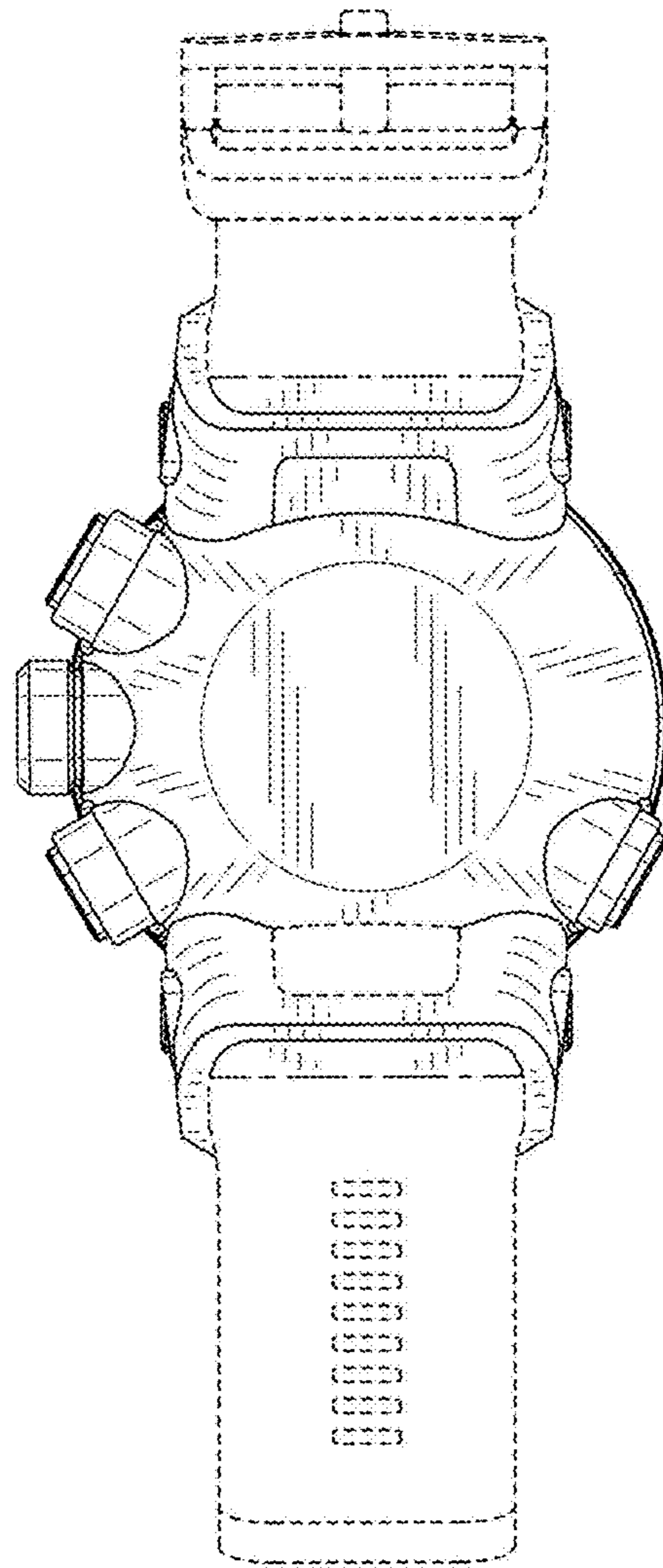


FIG. 3

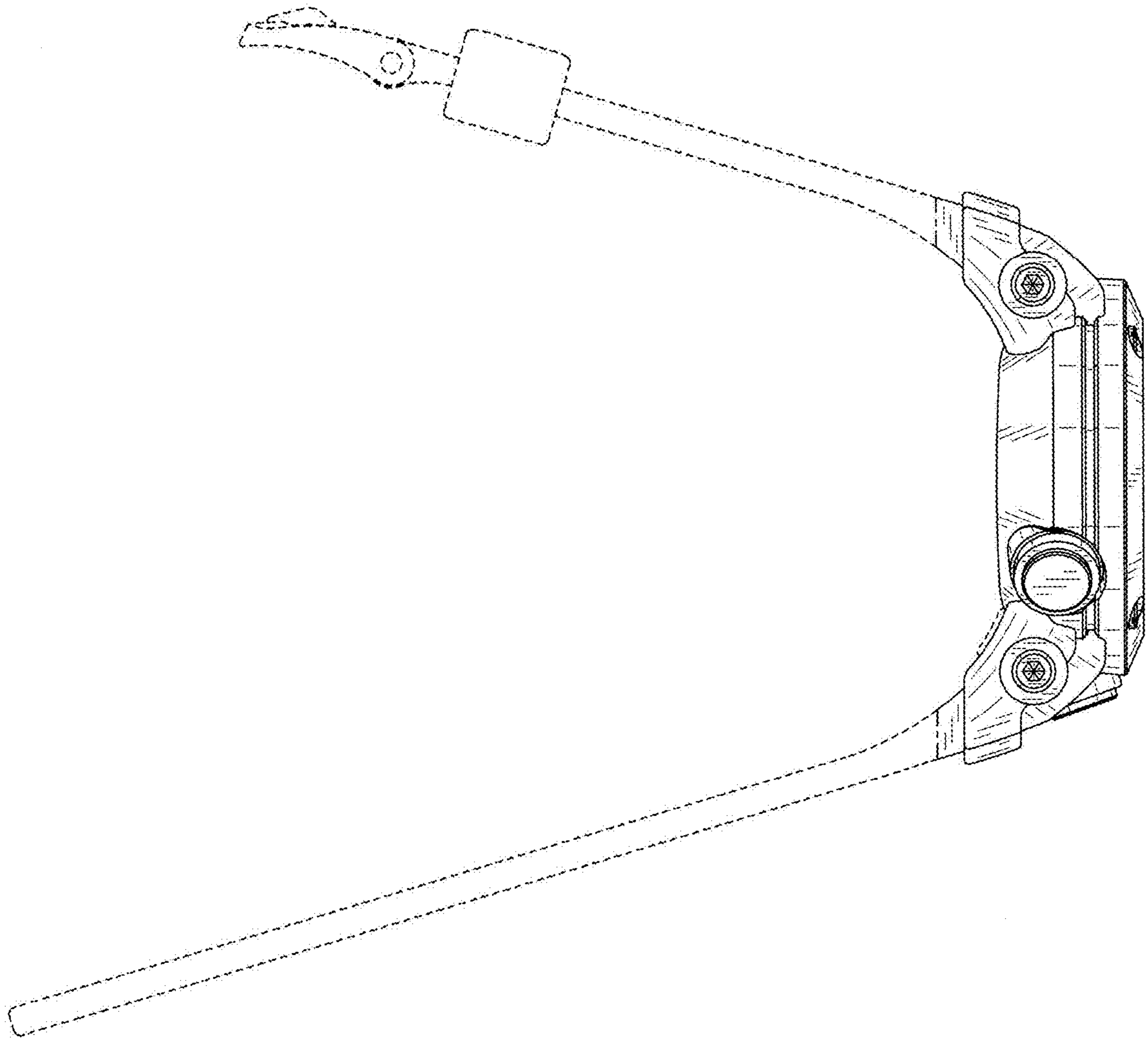


FIG. 4

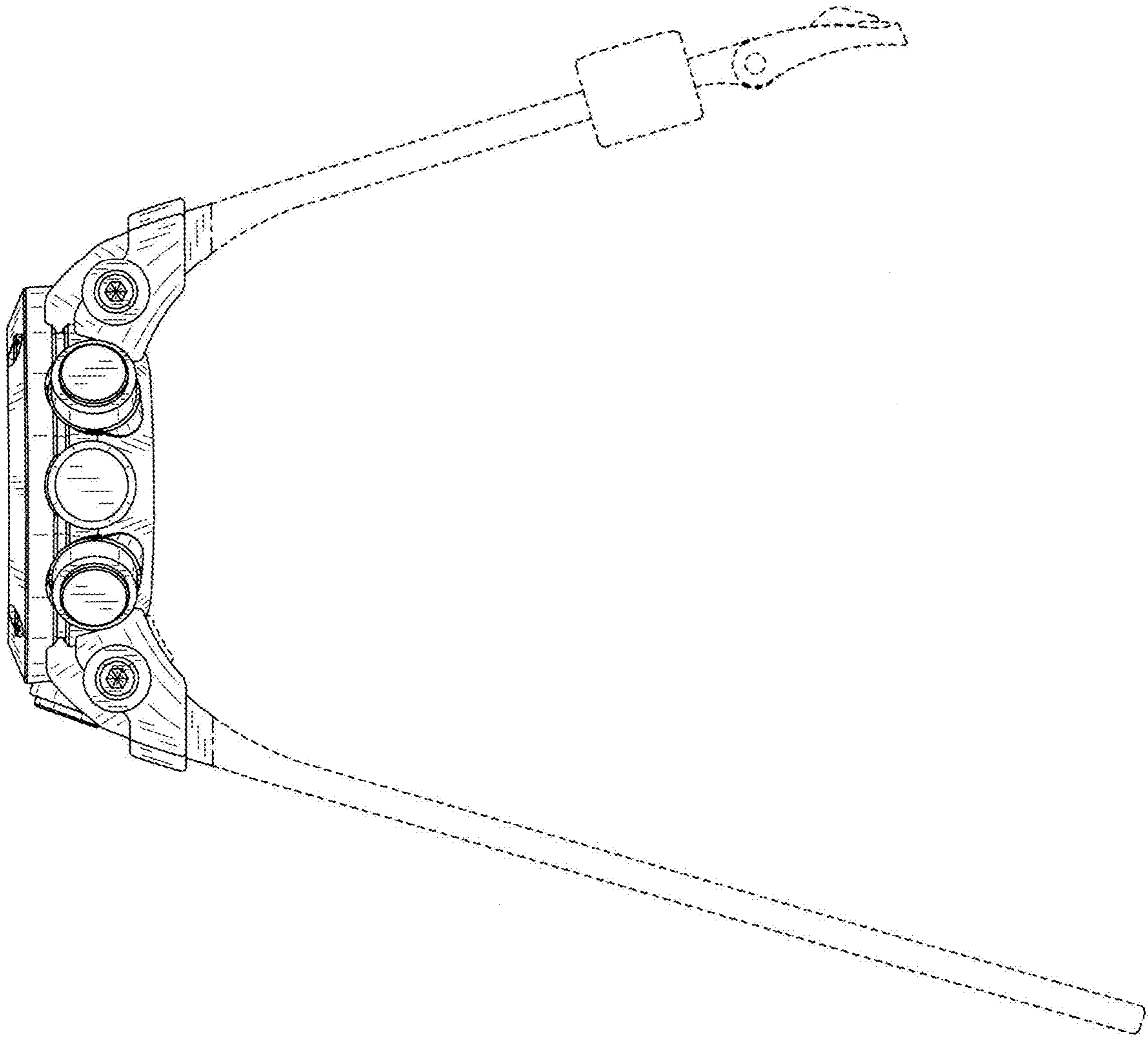


FIG. 5

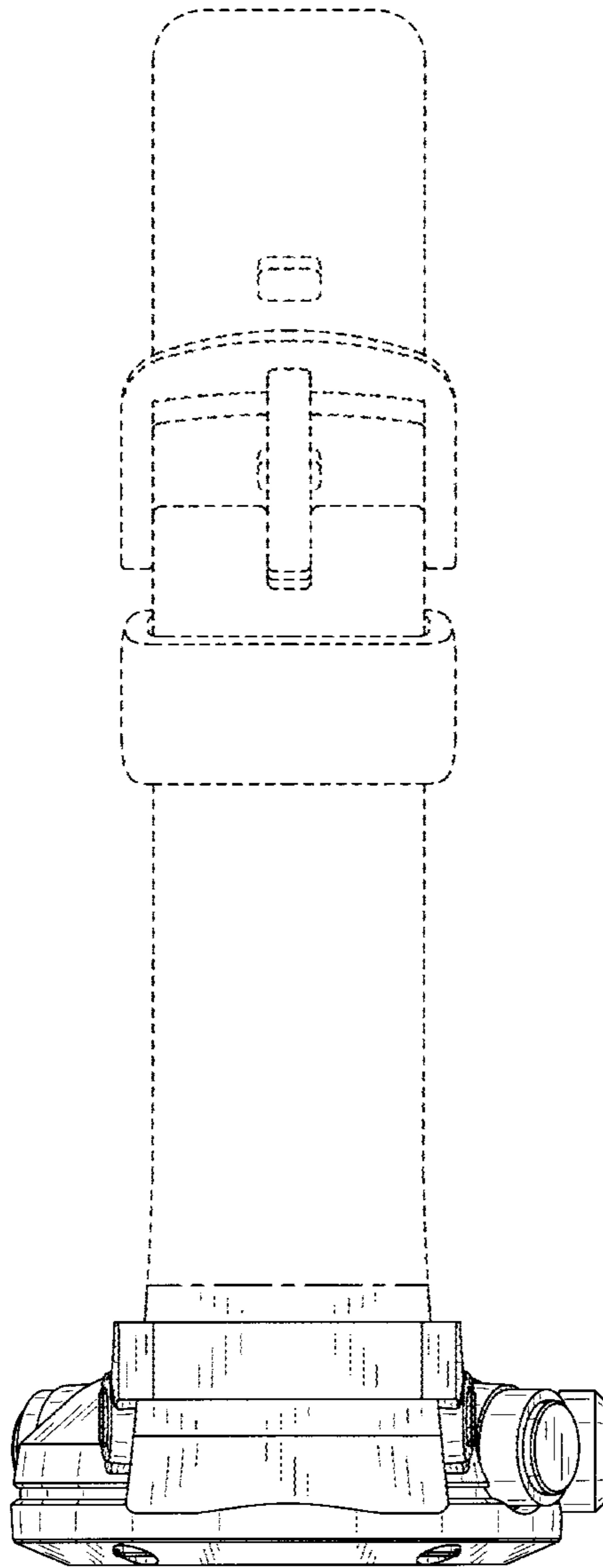


FIG. 6

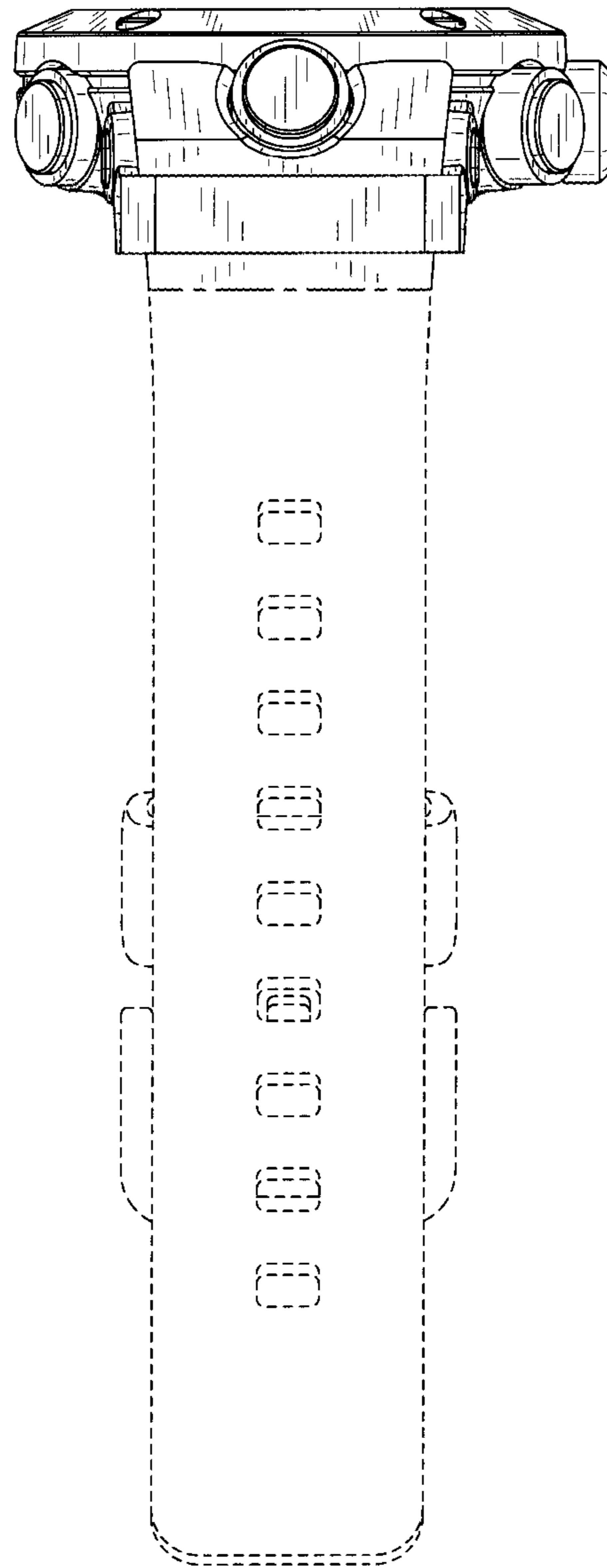


FIG. 7

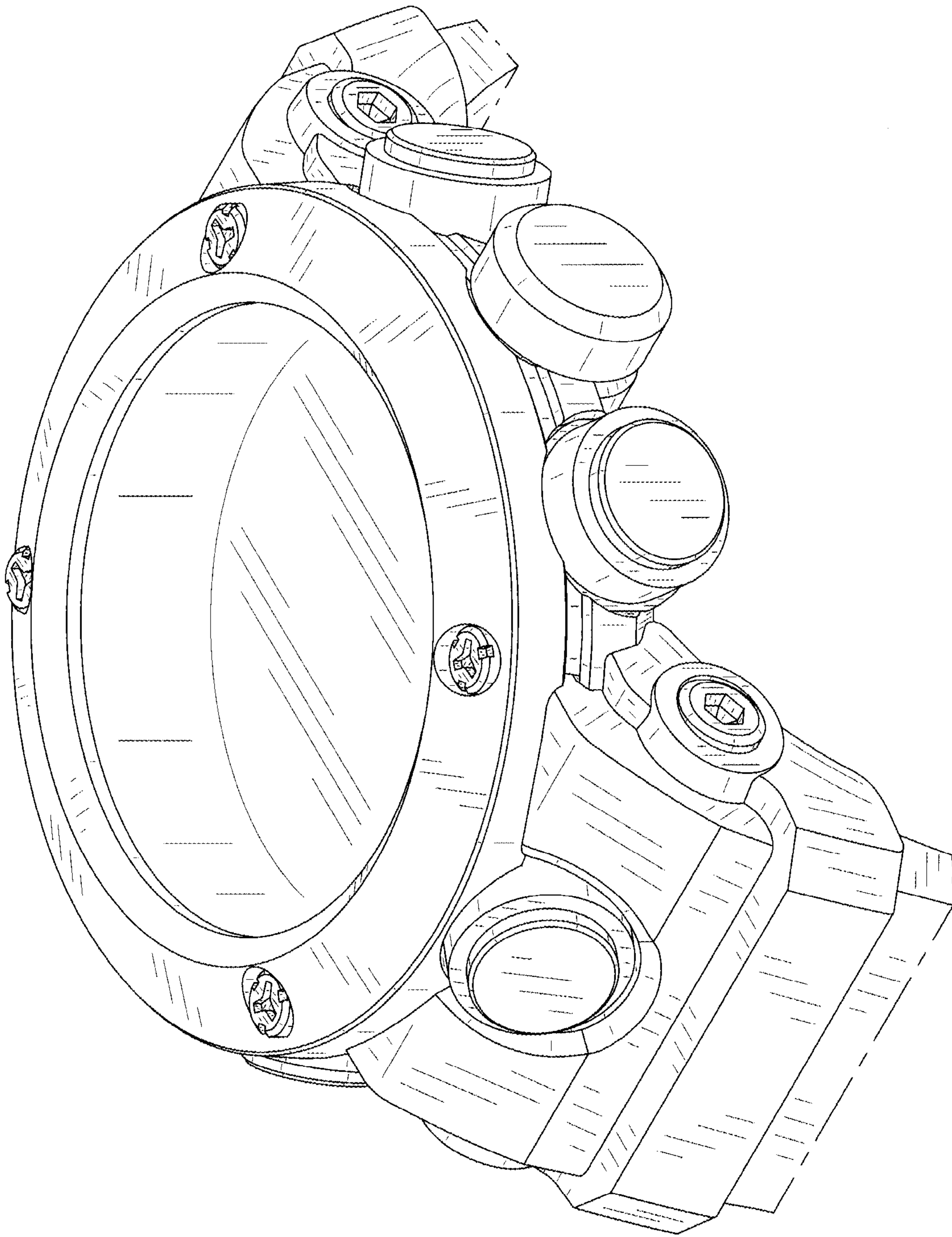


FIG. 8

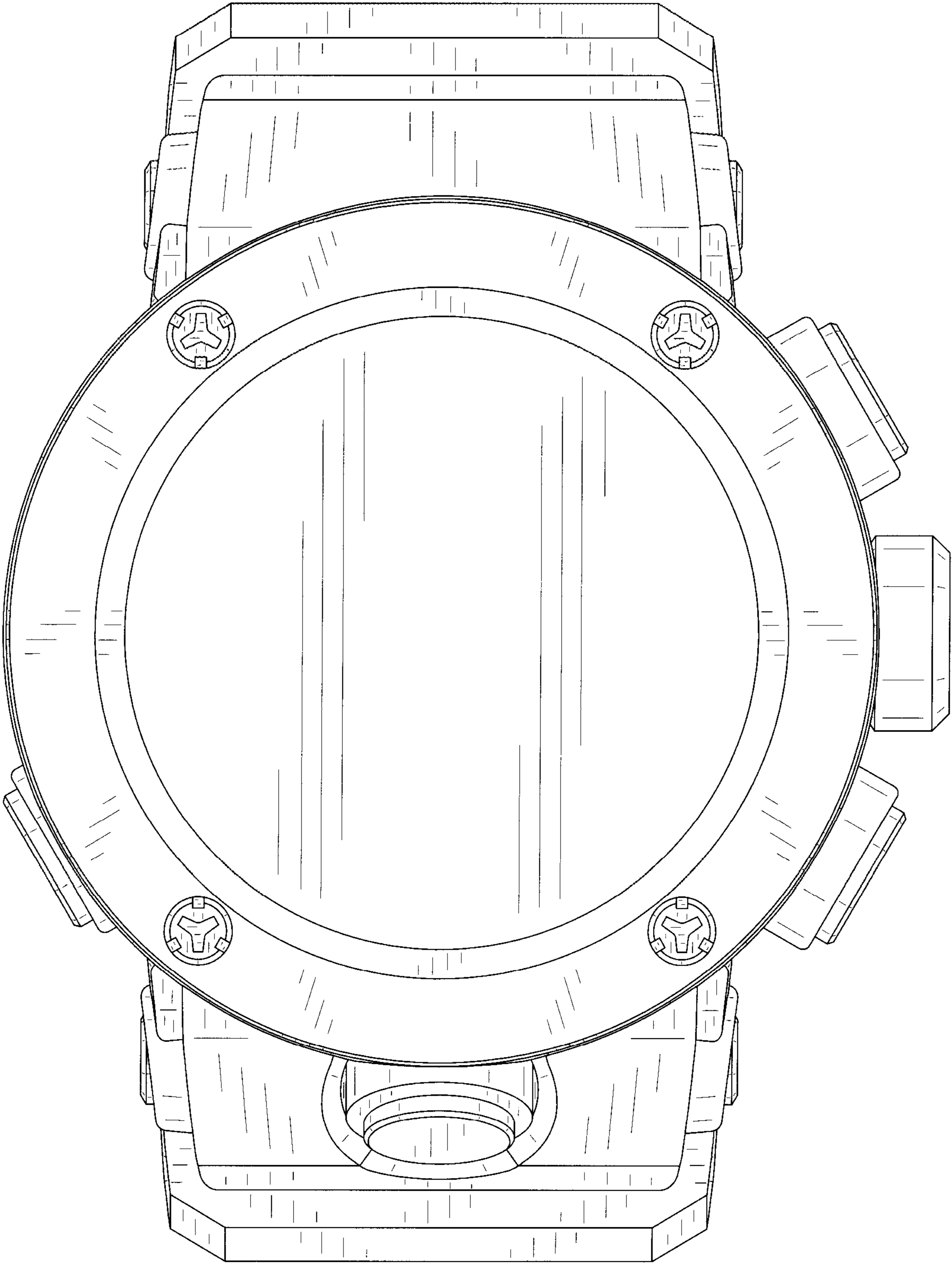


FIG. 9

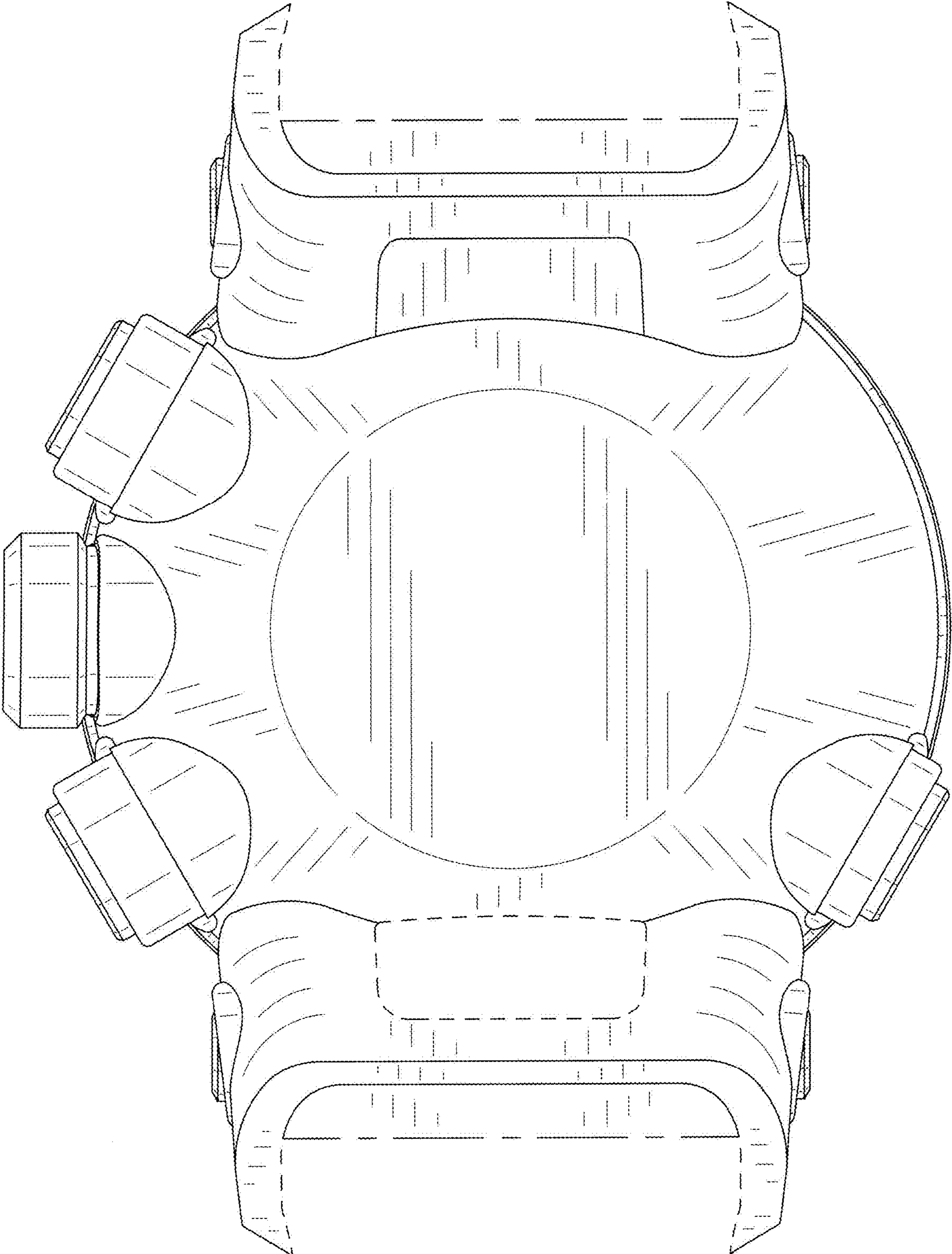


FIG. 10

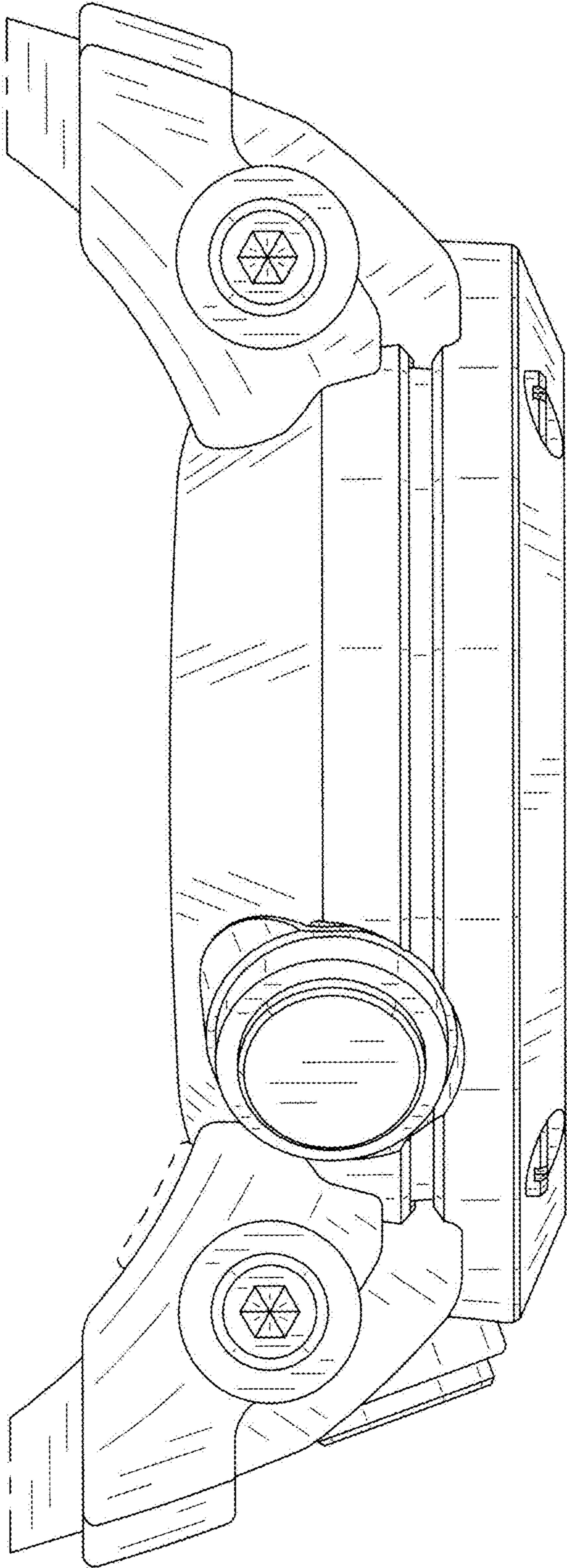


FIG. 11

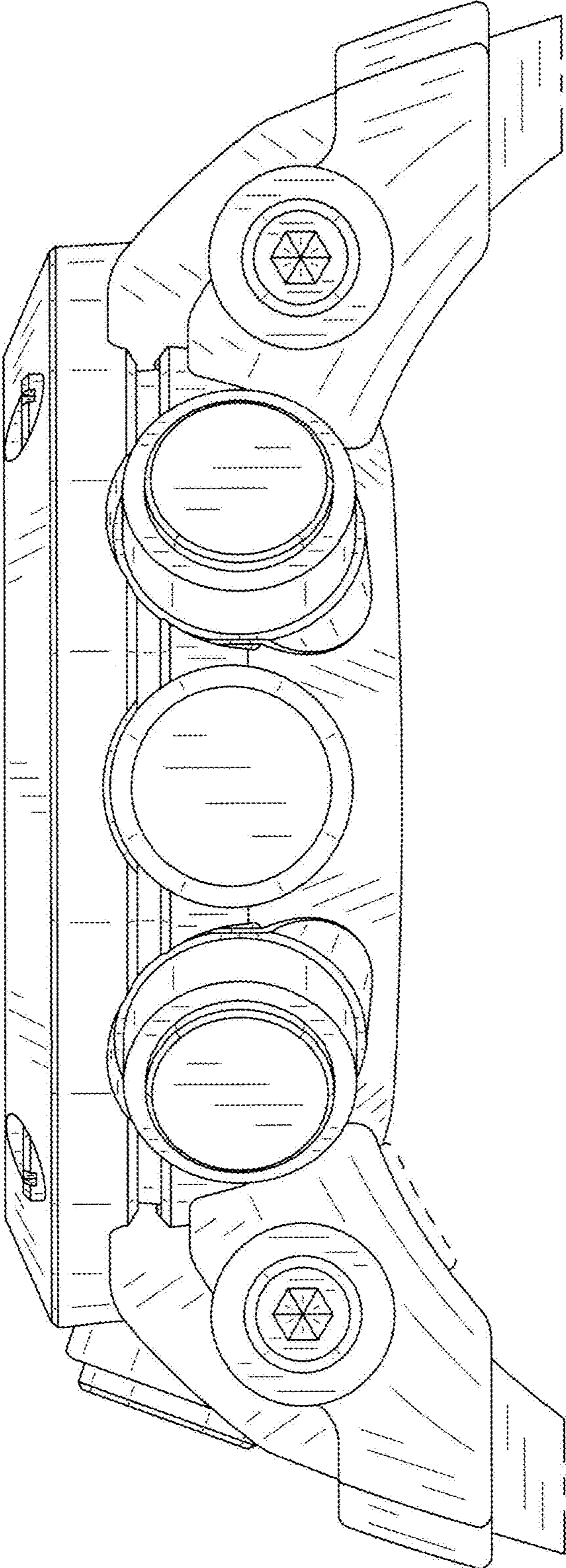


FIG. 12

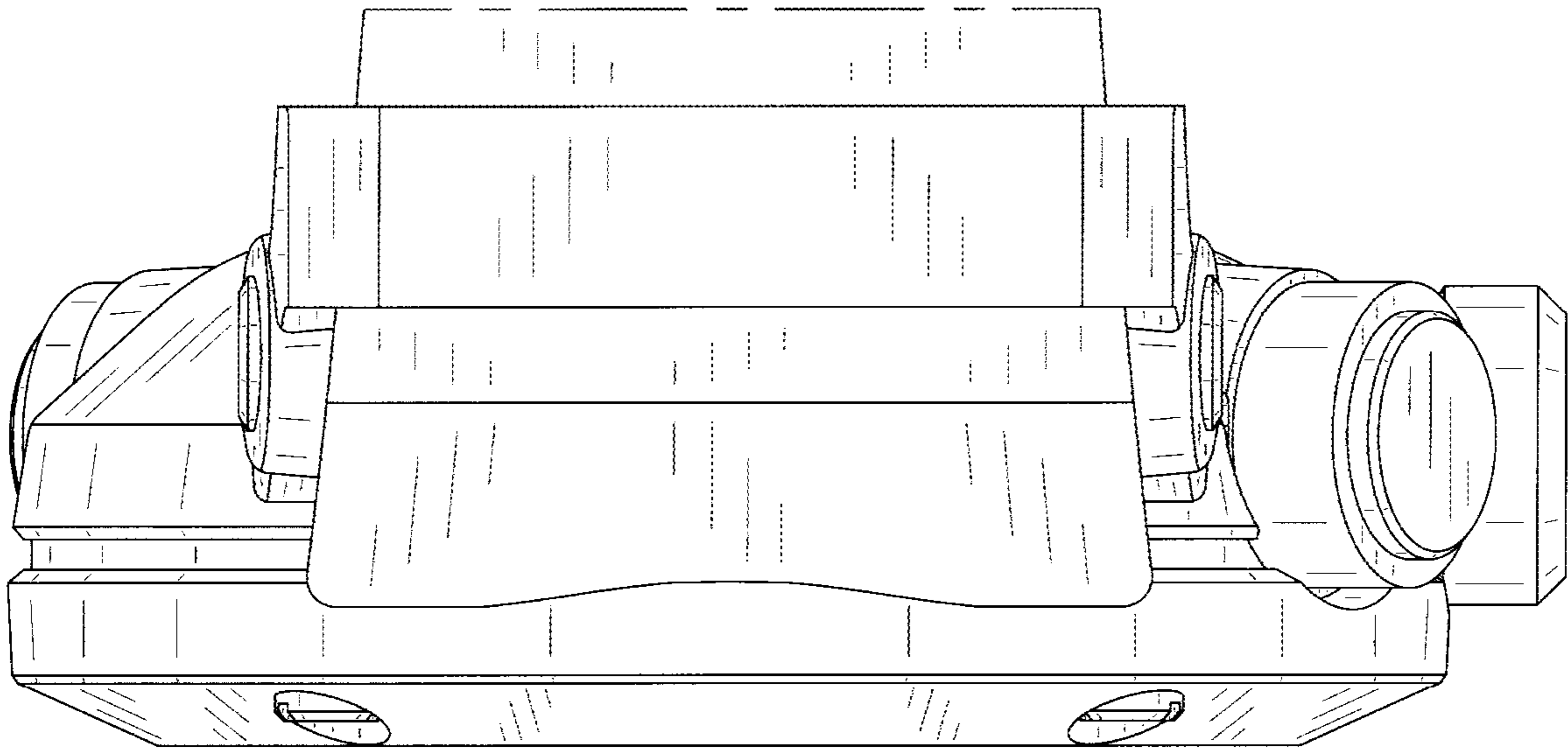


FIG. 13

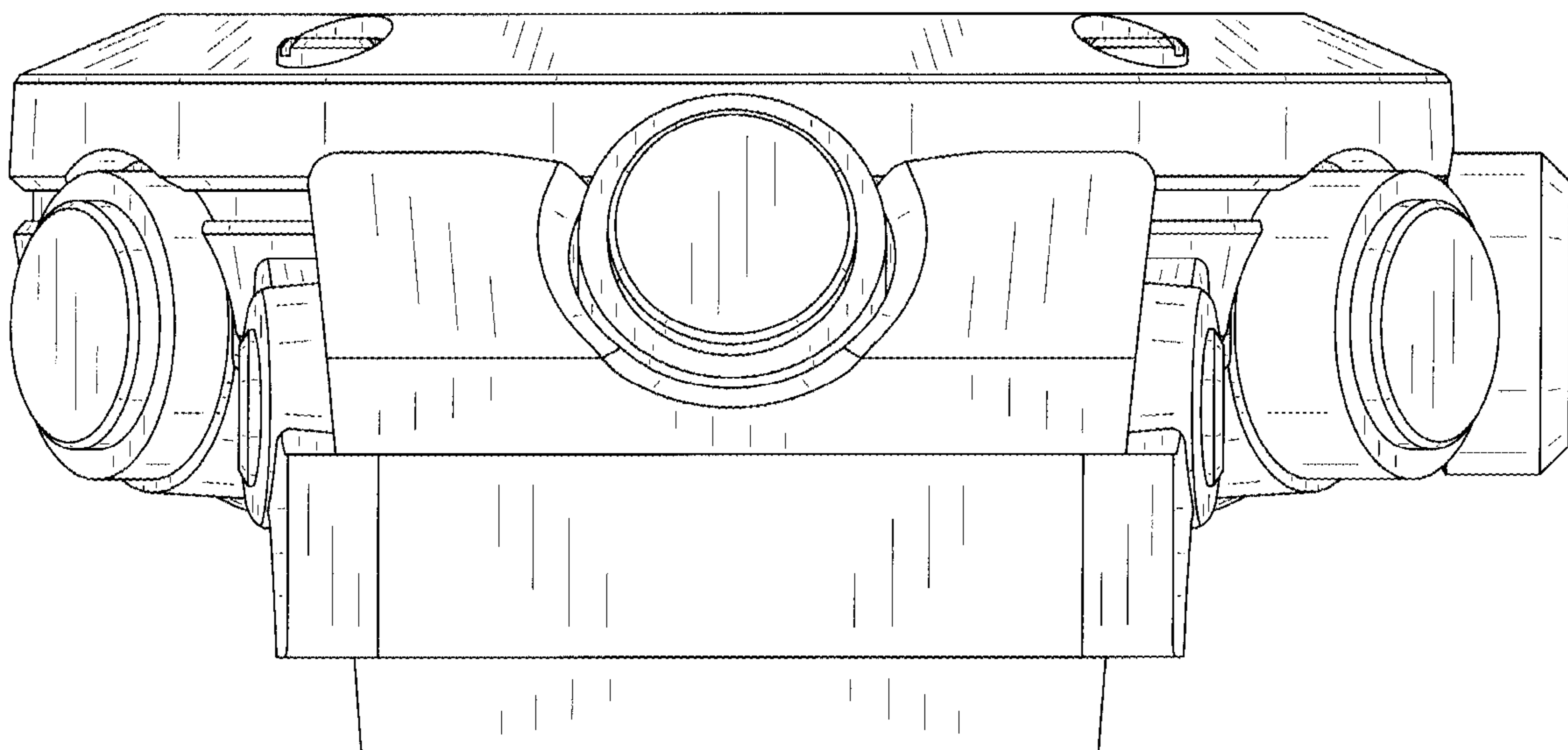


FIG. 14