



US00D912539S

(12) **United States Design Patent** (10) **Patent No.:** **US D912,539 S**
Connor et al. (45) **Date of Patent:** **** *Mar. 9, 2021**

- (54) **WATCH WITH DISPLAY**
- (71) Applicant: **Garmin Switzerland GmbH**,
Schaffhausen (CH)
- (72) Inventors: **Stephen W. Connor**, Overland Park,
KS (US); **Benjamin D. Braun**, Kansas
City, MO (US)
- (73) Assignee: **Garmin Switzerland GmbH**
- (*) Notice: This patent is subject to a terminal dis-
claimer.
- (**) Term: **15 Years**
- (21) Appl. No.: **29/653,529**
- (22) Filed: **Jun. 15, 2018**
- (51) **LOC (13) Cl.** **10-02**
- (52) **U.S. Cl.**
USPC **D10/38; D14/344**
- (58) **Field of Classification Search**
USPC D10/30-39, 40-41, 65, 70, 97-98, 104.2,
D10/116.1, 122, 128, 132; D14/344, 440;
D24/167, 186
CPC G04B 19/18; G04B 19/22; G04B 19/23;
G04B 19/228; G04B 37/00; G04B
39/002; G04B 39/006; G04B 39/02;
G04C 19/04; G04F 7/08; G04F 7/0842;
G04F 7/0861; G04F 7/0871; G04F
7/0876; G04G 17/02; G04G 17/045;
G04G 17/08; G04G 21/08; G04G 9/00
See application file for complete search history.

(56) **References Cited**

U.S. PATENT DOCUMENTS

D222,784 S	12/1971	Kurth	D10/39
3,733,809 A	5/1973	Reiter et al.	368/232
3,740,944 A	6/1973	Chopard	368/281
3,901,023 A	8/1975	Uebelhardt	368/281

D300,513 S *	4/1989	Tsukahara	D10/30
D317,265 S	6/1991	Giolla et al.	D10/39
D321,329 S *	11/1991	Barnett	D10/104.2
5,226,023 A	7/1993	Grimm	368/223
D386,695 S *	11/1997	Sang	D10/30
D391,863 S *	3/1998	Houlihan	D10/30
D394,402 S *	5/1998	Riley	D10/32
D395,244 S *	6/1998	Riley	D10/32
D405,702 S *	2/1999	Ramos, Jr.	D10/30

(Continued)

OTHER PUBLICATIONS

Garmin Fenix 55S5X Review | posted at dcrainmaker.com Mar. 2017 [online]. © 2020 DC Rainmaker [retrieved Jun. 10, 2020] from Internet: <<https://www.dcrainmaker.com/2017/03/garmin-fenix5-5s-5x-review.html>> (Year: 2017).*

(Continued)

Primary Examiner — Katherine Glennon

(74) *Attorney, Agent, or Firm* — Samuel M. Korte; Max M. Ali

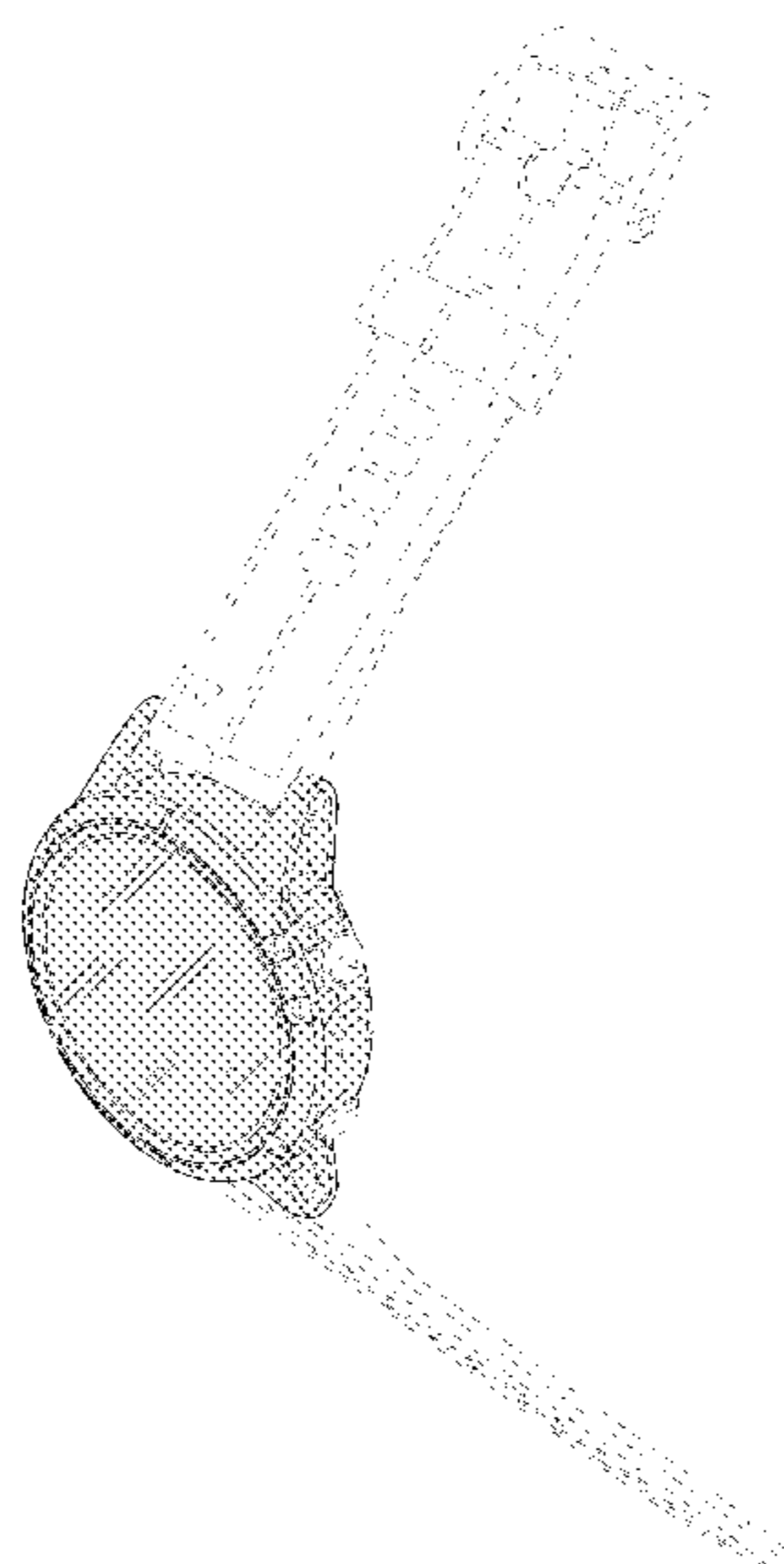
(57) **CLAIM**

The ornamental design for a watch with display, as shown and described.

DESCRIPTION

FIG. 1 is a front perspective view of a watch with display according to the present invention;
FIG. 2 is a rear perspective view of the watch with display;
FIG. 3 is a top view of the watch with display;
FIG. 4 is a front view of the watch with display;
FIG. 5 is a bottom view of the watch with display;
FIG. 6 is a rear view of the watch with display;
FIG. 7 is a left side view of the watch with display; and,
FIG. 8 is a right side view of the watch with display.
The broken lines shown in the drawings represent portions of the watch with display that form no part of the claimed design.

1 Claim, 4 Drawing Sheets



(56)

References Cited

U.S. PATENT DOCUMENTS

D412,287	S	*	7/1999	Cattin	D10/30
D415,040	S	*	10/1999	Sang	D10/30
D417,158	S		11/1999	Krauss	D10/30
D426,778	S	*	6/2000	Kojima	D10/30
D443,832	S	*	6/2001	Streltsov	D10/30
D459,241	S		6/2002	Bodino	D10/32
D471,115	S		3/2003	Buechner	D10/39
6,577,558	B1		6/2003	Ricci	368/228
D504,624	S		5/2005	Bodino	D10/39
D538,182	S		3/2007	Lalo	D10/32
D539,674	S	*	4/2007	Vaptzarof	D10/38
D573,486	S		7/2008	Sanz	D10/38
D585,310	S		1/2009	Allison	D10/39
D592,975	S		5/2009	Markl	D10/32
D597,420	S	*	8/2009	Kamata	D10/32
D607,346	S		1/2010	Bove et al.	D10/38
D610,922	S		3/2010	Lammers-Meis et al.	10/32
D633,812	S		3/2011	Yurman	D10/32
D658,079	S		4/2012	Emch	D10/38
D658,518	S		5/2012	Behling	D10/39
D660,727	S		5/2012	Parmigiani	D10/38
D661,206	S		6/2012	Register et al.	D10/38
D664,865	S	*	8/2012	Luk Ying Yee	D10/38
D682,712	S		5/2013	Lammers-Meis et al.	D10/38
D717,682	S	*	11/2014	Yliluoma	D10/128
D718,167	S	*	11/2014	Yliluoma	D10/128
D740,704	S	*	10/2015	Park	D10/38
D742,762	S	*	11/2015	Syoubayashi	D10/126
D754,549	S	*	4/2016	Takahashi	D10/128
D756,240	S	*	5/2016	Register	D10/30
D756,244	S	*	5/2016	Bastian	D10/132
D756,245	S	*	5/2016	Mille	D10/126
D805,406	S	*	12/2017	Register	D10/30
D806,581	S	*	1/2018	Register	D10/30
9,869,976	B2	*	1/2018	Perko	G04B 37/1486
D836,465	S	*	12/2018	Register	D10/30
D857,525	S	*	8/2019	Kwong	D10/30
D868,778	S	*	12/2019	Reivo	D14/344
2014/0225786	A1	*	8/2014	Lyons	G04G 21/04 343/702

OTHER PUBLICATIONS

Garmin Fenix 5-5S-5X Plus In-Depth Review | posted at dcrainmaker.com Jun. 2018 [online]. © © 2020 DC Rainmaker [retrieved Jun. 10, 2020] from Internet: <<https://www.dcrainmaker.com/2018/06/garmin-fenix5-plus-5s-5x-in-depth-review.html>> (Year: 2018).*

Garmin Fenix 6 Series In-Depth Review | posted at dcrainmaker.com Aug. 2019 [online]. © 2020 DC Rainmaker [retrieved Jun. 10, 2020] from Internet: <<https://www.dcrainmaker.com/2019/08/garmin-fenix6-pro-solar-series-review.html>> (Year: 2019).*

Suunto Spartan Ultra In-depth Review | posted at dcrainmaker.com Oct. 2016 [online]. © 2020 DC Rainmaker [retrieved Jun. 19, 2020] from Internet: <<https://www.dcrainmaker.com/2016/10/suunto-spartan-ultra-review.html>> (Year: 2016).*

U.S. Appl. No. 29/626,408, Register, D10, 030, Nov. 16, 2017.

Garmin Forerunner 405, published Jan. 2008.

Garmin Forerunner 610, published Mar. 2011.

Printout from <http://consumer.huawei.com/en/wearables/huawei-watch/index.htm> published prior to Dec. 15, 2016.

Printout from <http://practicaltravelgear.blogspot.com/2008/07/timex-expedition-e-compass-titanium.html> published Jul. 2008.

Printout from <http://www.chrono24.com/hubot/formula-1-king-power-f1-ceramic-limited-sealed--id1813204.htm> published prior to Dec. 15, 2016.

Printout from <http://www.computerworld.com/article/2643100/moto-360-review-an-elegant-smartwatch-with-exceptional-features.html> published prior to May 8, 2015.

Printout from <http://www.cookoo2.com/>, published prior to May 21, 2015.

Printout from <http://www.gpsrunningwatchreview.com/reviews/suunto-x10-review/> published Nov. 2010.

Printout from <http://www.lindewerdelin.com/products/watches/spidolite> published prior to May 21, 2012.

Printout from http://www.ralphlauren.fr/category/index.jsp?categoryId=53519341&ab=fr_FR_Watches_LP_Slot_5_S1 published prior to Dec. 15, 2016.

Printout from <http://www.suunto.com/en-US/Product-search/See-all-Sports-Watches/?sortby=New&searchTerm=traverse&page=0> published prior to Dec. 15, 2016.

Printout from <http://www.tagheuer.com/int-en/luxury-watches/carrera/carrera-calibre-heuer-01-chronograph-titanium-43mm-grey-others-bracelet> published prior to Aug. 15, 2016.

Printout from <http://www.tagheuer.com/int-en/luxury-watches/carrera/carrera-calibre-1887automatic-chronograph-43-mm-black-steel-bracelet-car2a10-ba0799>, published prior to Aug. 15, 2016.

Printout from <http://www.t-touch.com/en-en/#!/t-touch-expert-solar> published prior to Dec. 15, 2016.

Printout from <https://www.amazon.com/Salvatore-Ferragamo-F55LGQ6877-S113-Carbon/dp/B007O20FO8> published prior to Dec. 15, 2016.

Printout from <https://www.amazon.com/Weider-K28-7100-Chronograph-on-Plated-Stainless/dp/B001PRFJOY> published prior to Dec. 15, 2016.

Printout from <https://www.audemarspiquet.com/en/watch-collection/royal-oak-offshore/> published prior to Dec. 15, 2016.

Printout from https://www.bloomingdales.com/shop/product/g-shock-g-steel-53.8mm?ID=2725010&pla_country=US&cm_mmc-Google-PLA-ADC--Jewelry20%26%20Accessories-NA--G-shock--889232168203USA&CWELAID=120156070005934945&CAGSPN=pla&CAAGID=47685648719&CATI=pla-383074889643&CATARGETID=120156070006241384&cadevice=c&gclid=EALalOobChMvMbeIL3B1wIVk6DsCh3QDwnMEAQ-YASABEcJNgvD_BwE, published prior to Dec. 15, 2016.

Printout from <https://www.suunto.com/en-us/Products/Sports-Watches/Suunto-Elementum-Ventus-Brown-Leather/> published prior to Apr. 6, 2017.

Printout from <https://www.suunto.com/en-us/Sports-Watch-Collections/Suunto-Core-Collection/> published prior to Aug. 9, 2017.

Printout from <https://www.suunto.com/en-us/Sports-Watch-Collections/Suunto-Spartan-Collection/>; published prior to Jun. 15, 2018.

Printout from <https://www.suunto.com/en-us/Watch-Collection/Suunto-Kailash-Collection/> published prior to Jun. 15, 2018.

Printout from <https://www.tissotwatches.com/en-gb/shop/tissot-t-touch-ii-titanium-gent-3.html> published prior to Aug. 9, 2017.

Printout from www.dcrainmaker.com/2012/04/suunto-ambit-in-depth-review.html published prior to Sep. 29, 2015.

Printout from www.suunto.com/en-US/Products/Sports-Watches/Suunto-Ambit2/Suunto-Ambit2-Black/ published prior to Sep. 29, 2015.

Printout from www.theaaronloy.com/wp-content/uploads/2013/07/Casio-MT-G-G-Shock-Watch.jpg published prior to Sep. 29, 2015.

Printout from www.watchtowhat.com/wp-content/uploads/2015/03/casio-edifice-8.jpg published prior to Sep. 29, 2015.

* cited by examiner

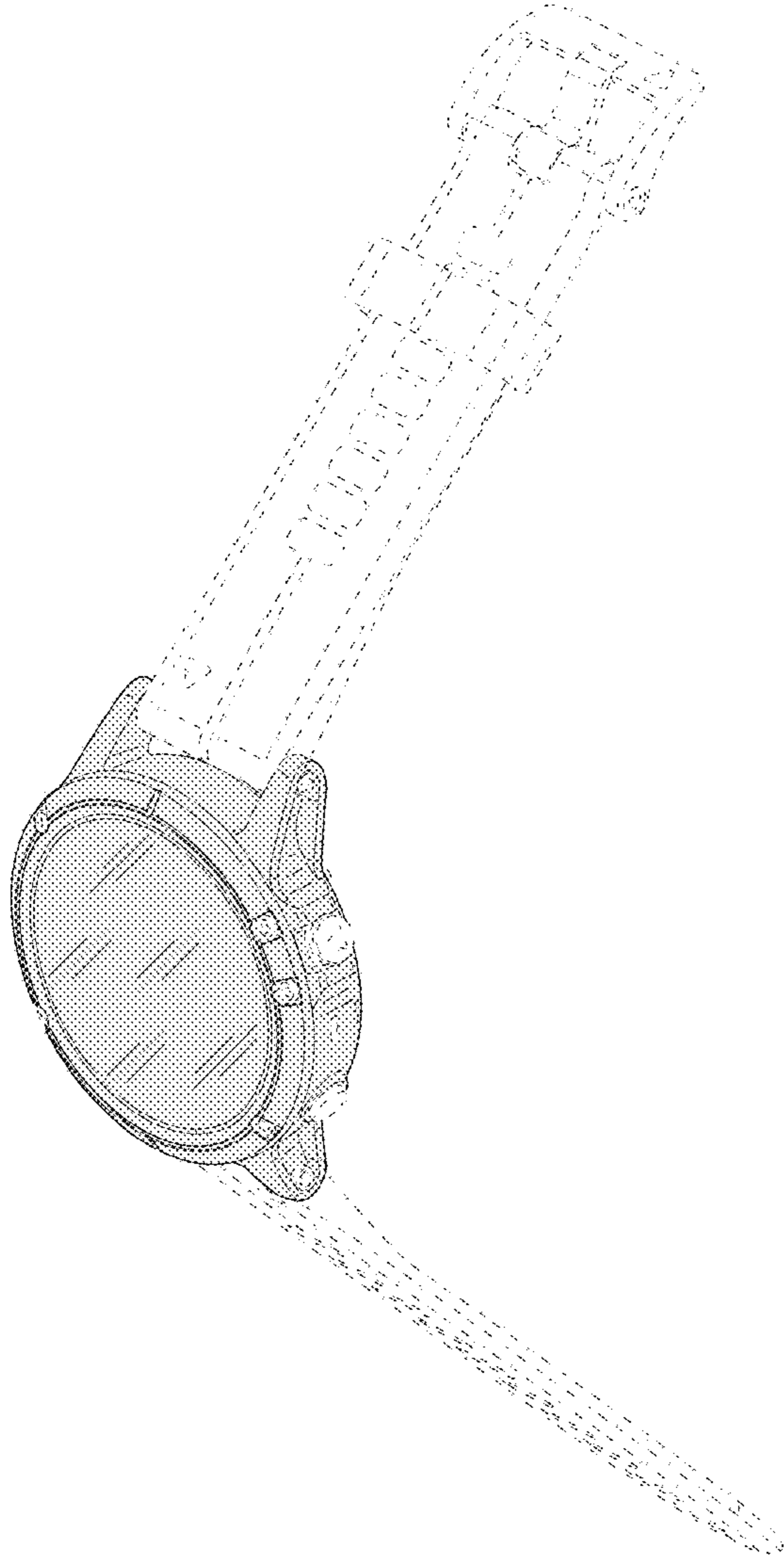


Fig. 1

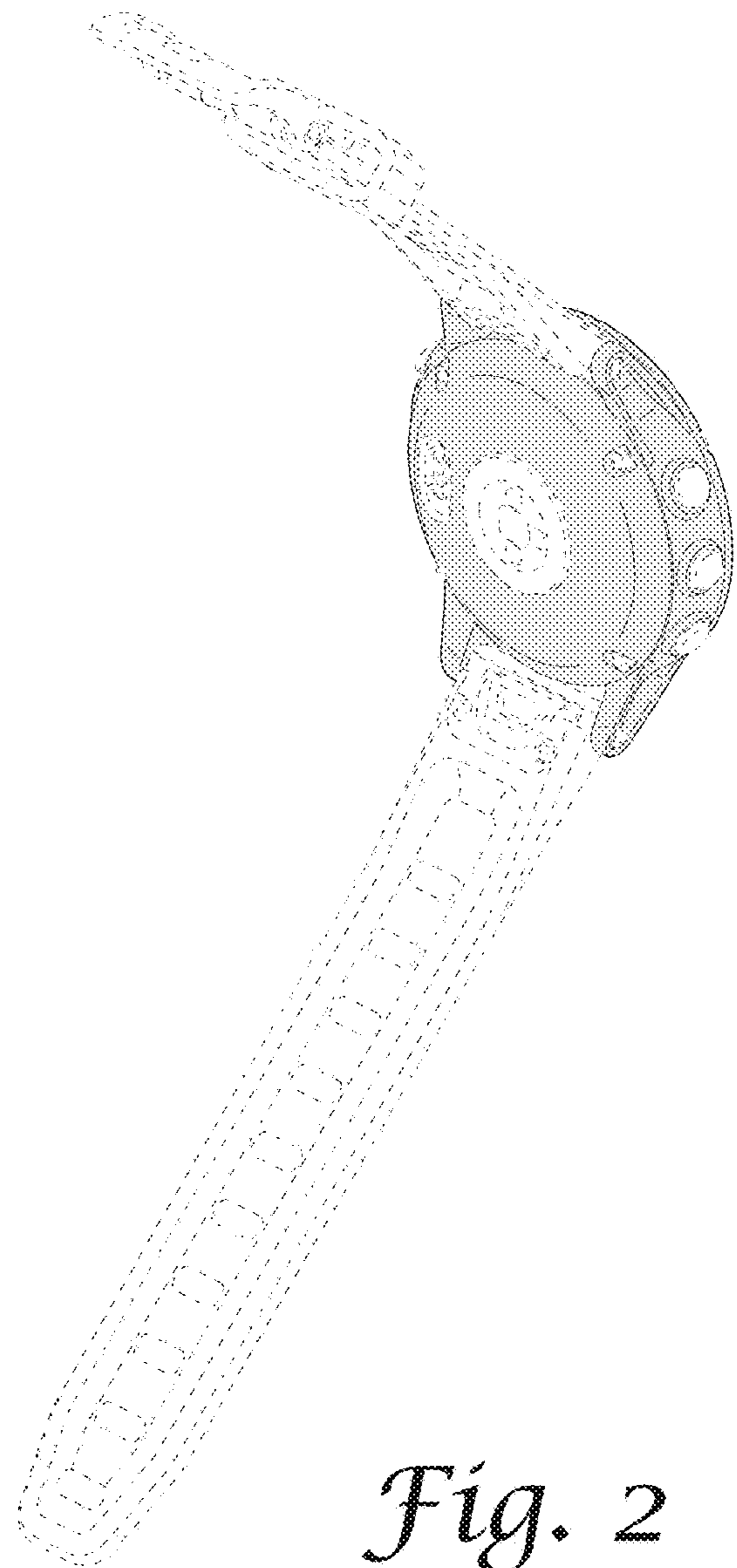


Fig. 2

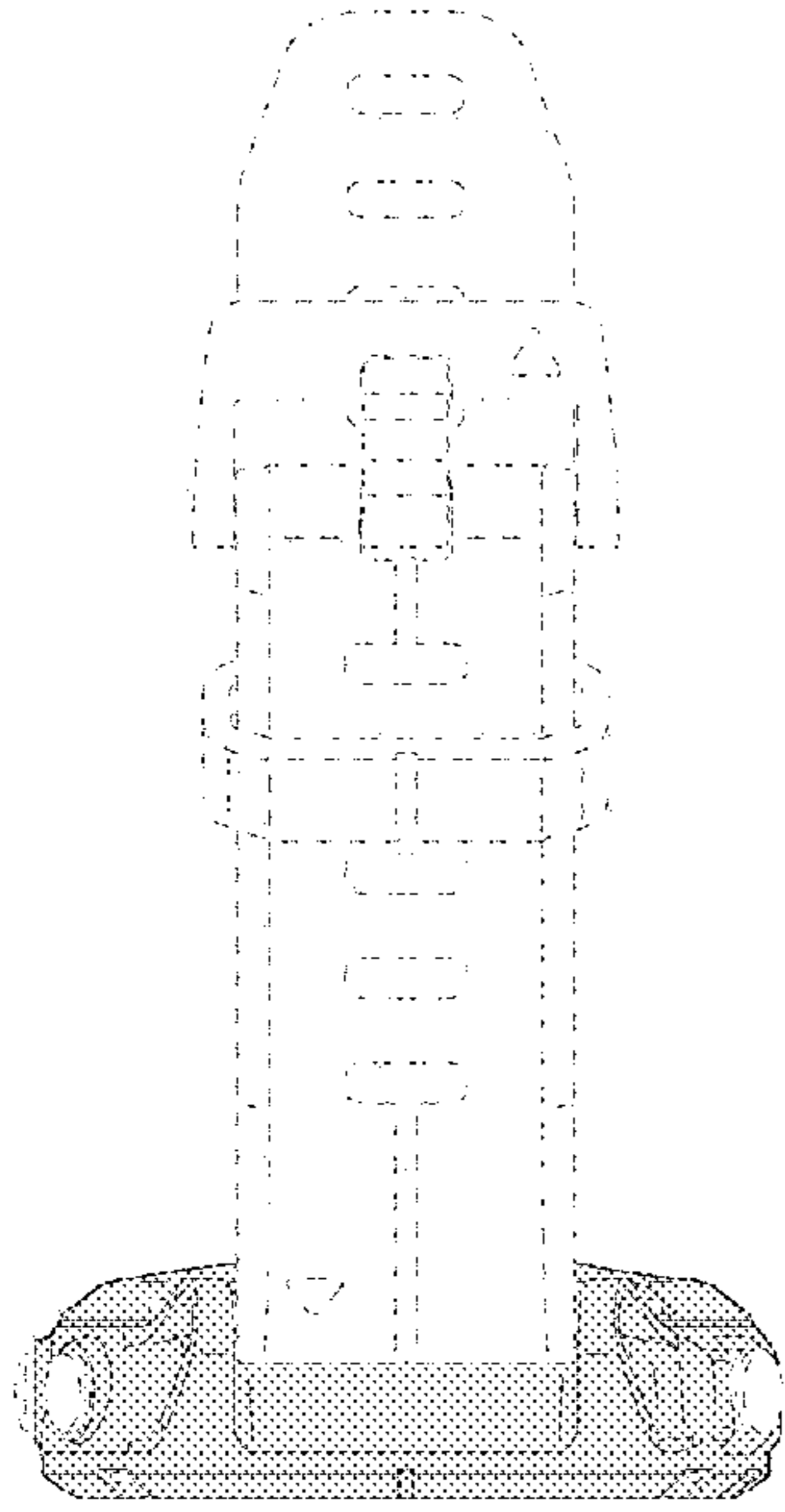


Fig. 3

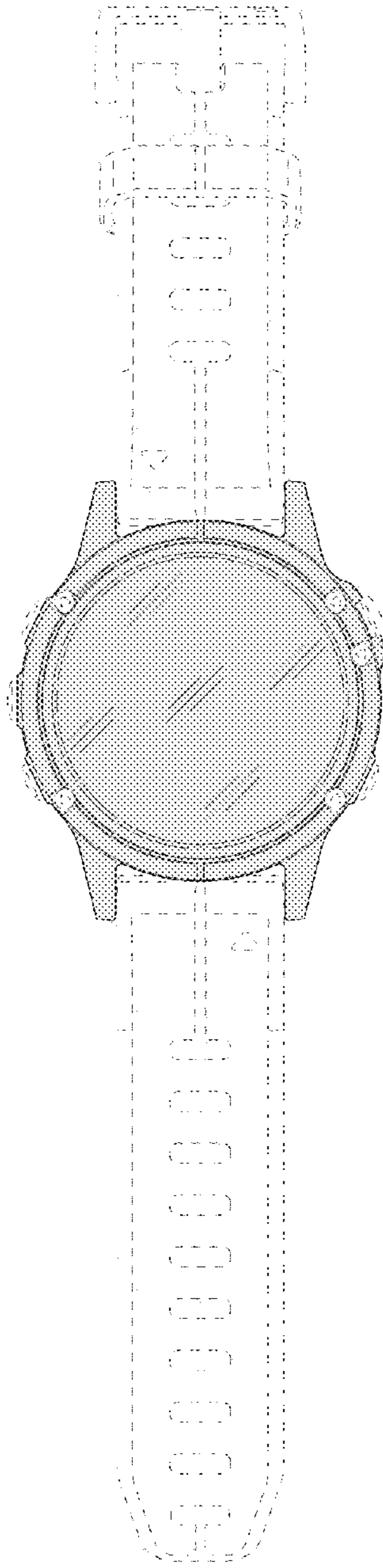
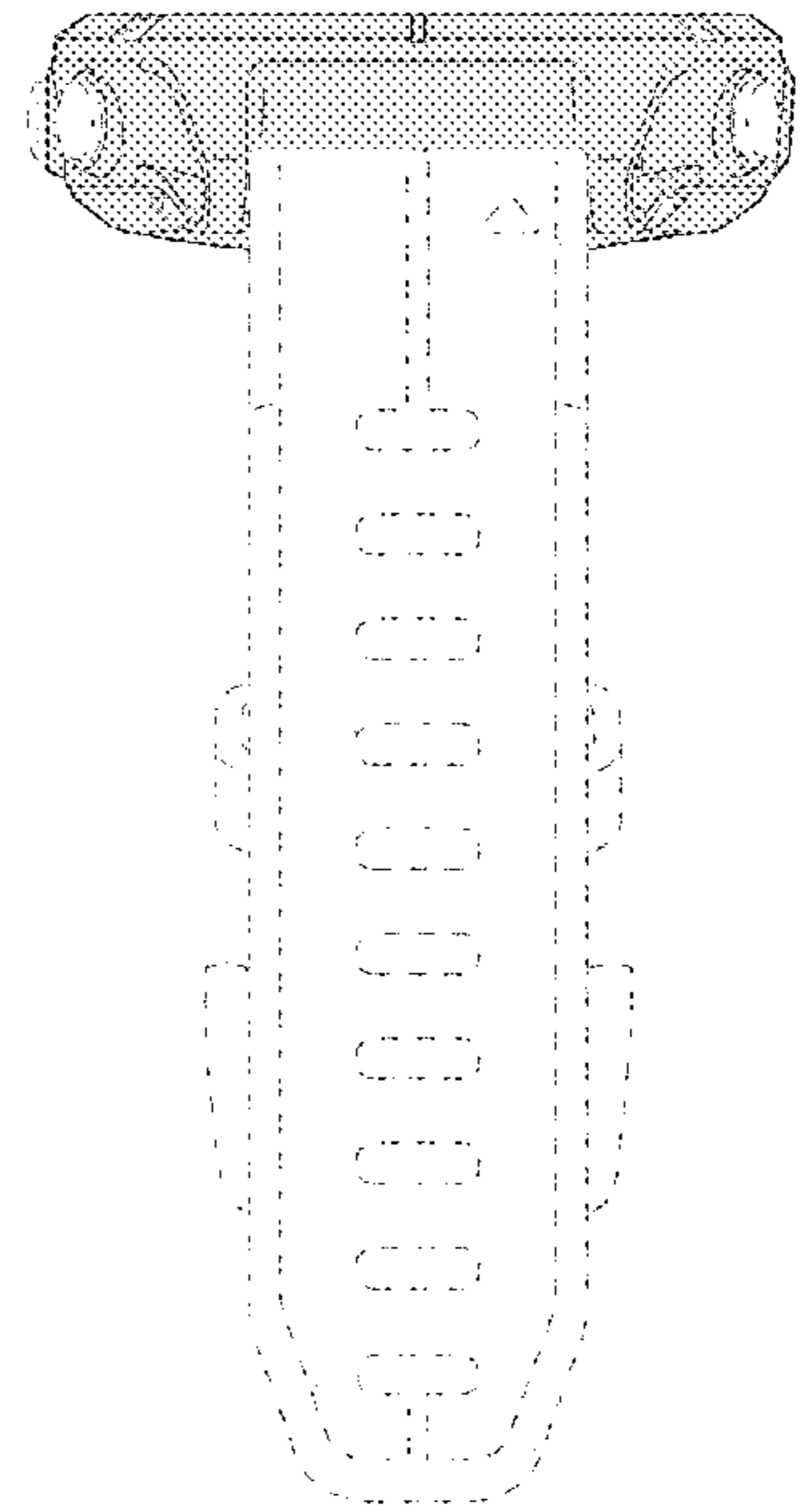


Fig. 4

Fig. 5



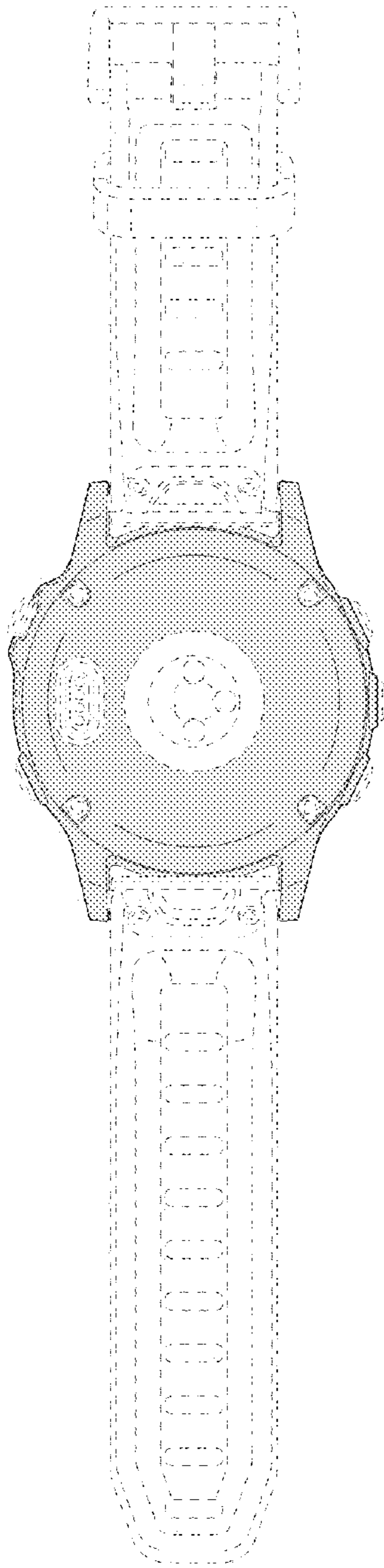


Fig. 6

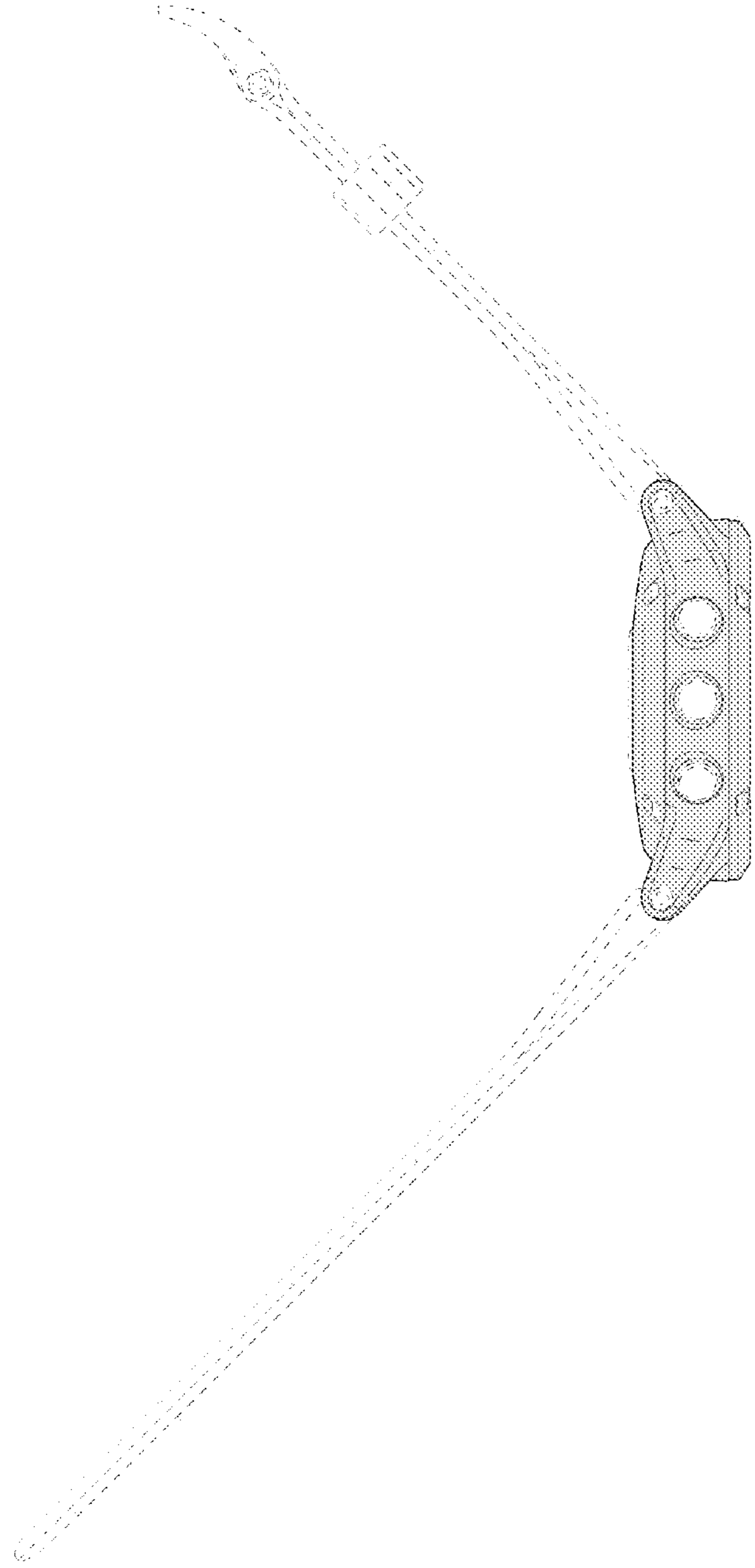


Fig. 7

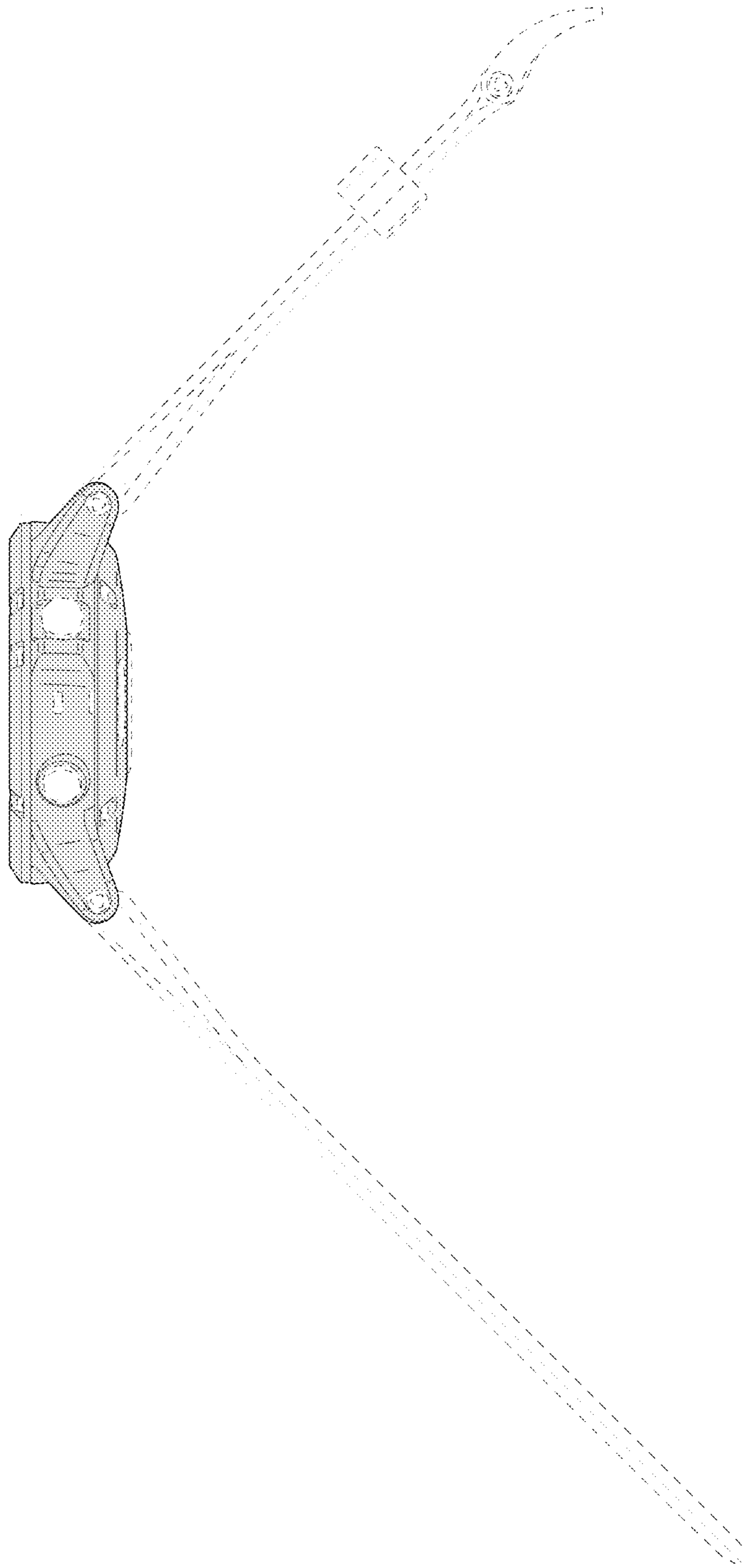


Fig. 8