



US00D912538S

(12) **United States Design Patent** (10) **Patent No.:** **US D912,538 S**
Tysander (45) **Date of Patent:** **** Mar. 9, 2021**

(54) **WRIST WATCH**
(71) Applicant: **Daniel Wellington AB**, Stockholm (SE)
(72) Inventor: **Filip Tysander**, Stockholm (SE)
(73) Assignee: **Daniel Wellington AB**, Stockholm (SE)
(**) Term: **15 Years**
(21) Appl. No.: **35/508,672**
(22) Filed: **Jan. 17, 2020**
(80) **Hague Agreement Data**
Int. Filing Date: **Jan. 17, 2020**
Int. Reg. No.: **DM/206047**
Int. Reg. Date: **Jan. 17, 2020**
Int. Reg. Pub. Date: **Feb. 28, 2020**

(30) **Foreign Application Priority Data**
Sep. 3, 2019 (CN) 201930484108.6
(51) **LOC (13) Cl.** **10-02**
(52) **U.S. Cl.**
USPC **D10/32**
(58) **Field of Classification Search**
USPC D10/32
See application file for complete search history.

(56) **References Cited**
U.S. PATENT DOCUMENTS
D382,213 S * 8/1997 Schick D10/32
D391,174 S * 2/1998 Modolo D10/128
(Continued)

Primary Examiner — George D. Kirschbaum
(74) *Attorney, Agent, or Firm* — Cooper Legal Group, LLC; Ronald M. Kachmarik

(57) **CLAIM**
The ornamental design for a wrist watch, as shown and described.

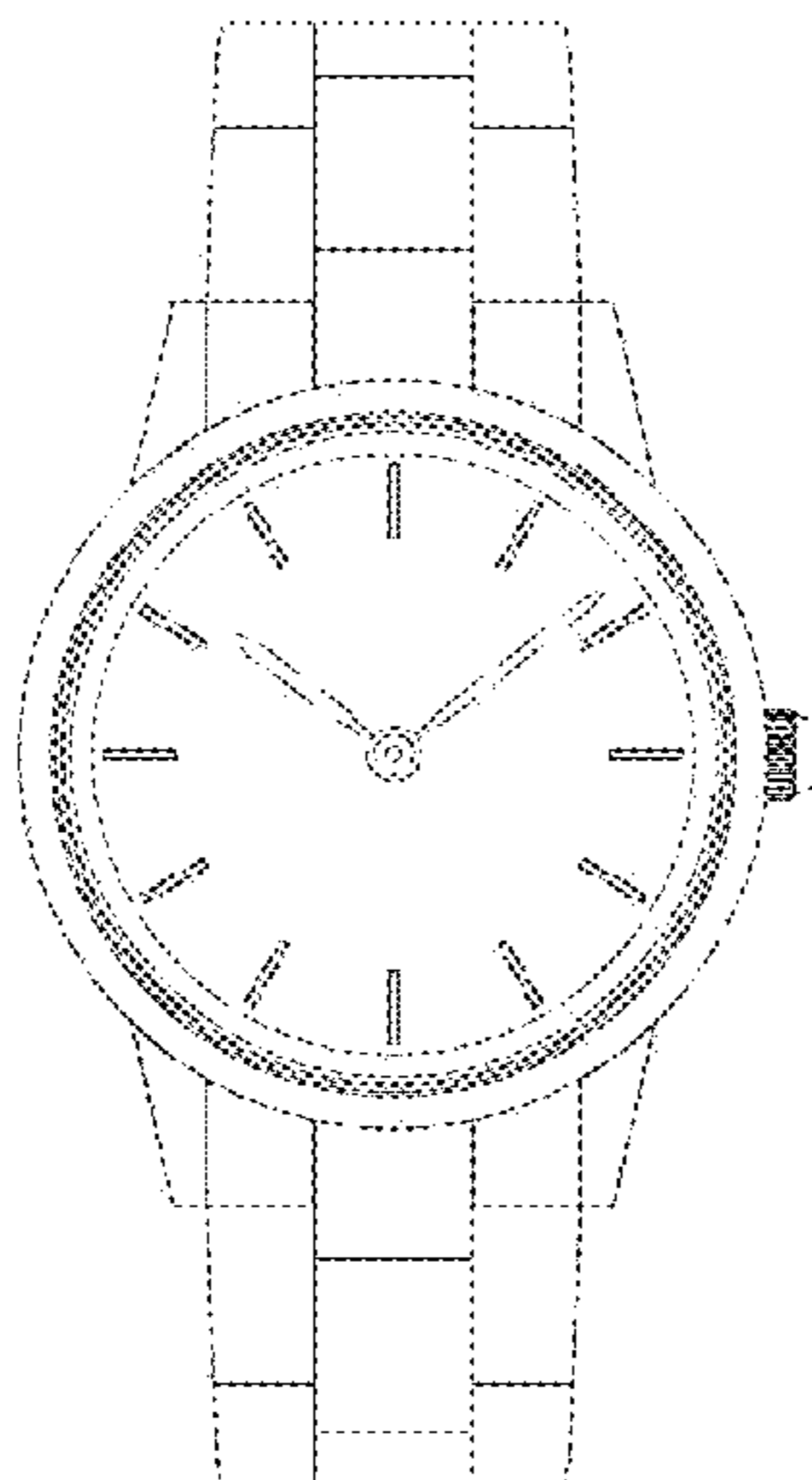
DESCRIPTION

1.-6. Wrist watch
1.1 : Perspective
1.2 : Front

1.3 : Bottom
1.4 : Top
1.5 : Right
1.6 : Left
1.7 : Back
2.1 : Perspective
2.2 : Front
2.3 : Bottom
2.4 : Top
2.5 : Right
2.6 : Left
2.7 : Back
3.1 : Perspective
3.2 : Front
3.3 : Bottom
3.4 : Top
3.5 : Right
3.6 : Left
3.7 : Back
4.1 : Perspective
4.2 : Front
4.3 : Bottom
4.4 : Top
4.5 : Right
4.6 : Left
4.7 : Back
5.1 : Perspective
5.2 : Front
5.3 : Bottom
5.4 : Top
5.5 : Right
5.6 : Left
5.7 : Back
6.1 : Perspective
6.2 : Front
6.3 : Top
6.4 : Bottom
6.5 : Right
6.6 : Left
6.7 : Back

The design shows a wrist watch.

1 Claim, 42 Drawing Sheets



(56)

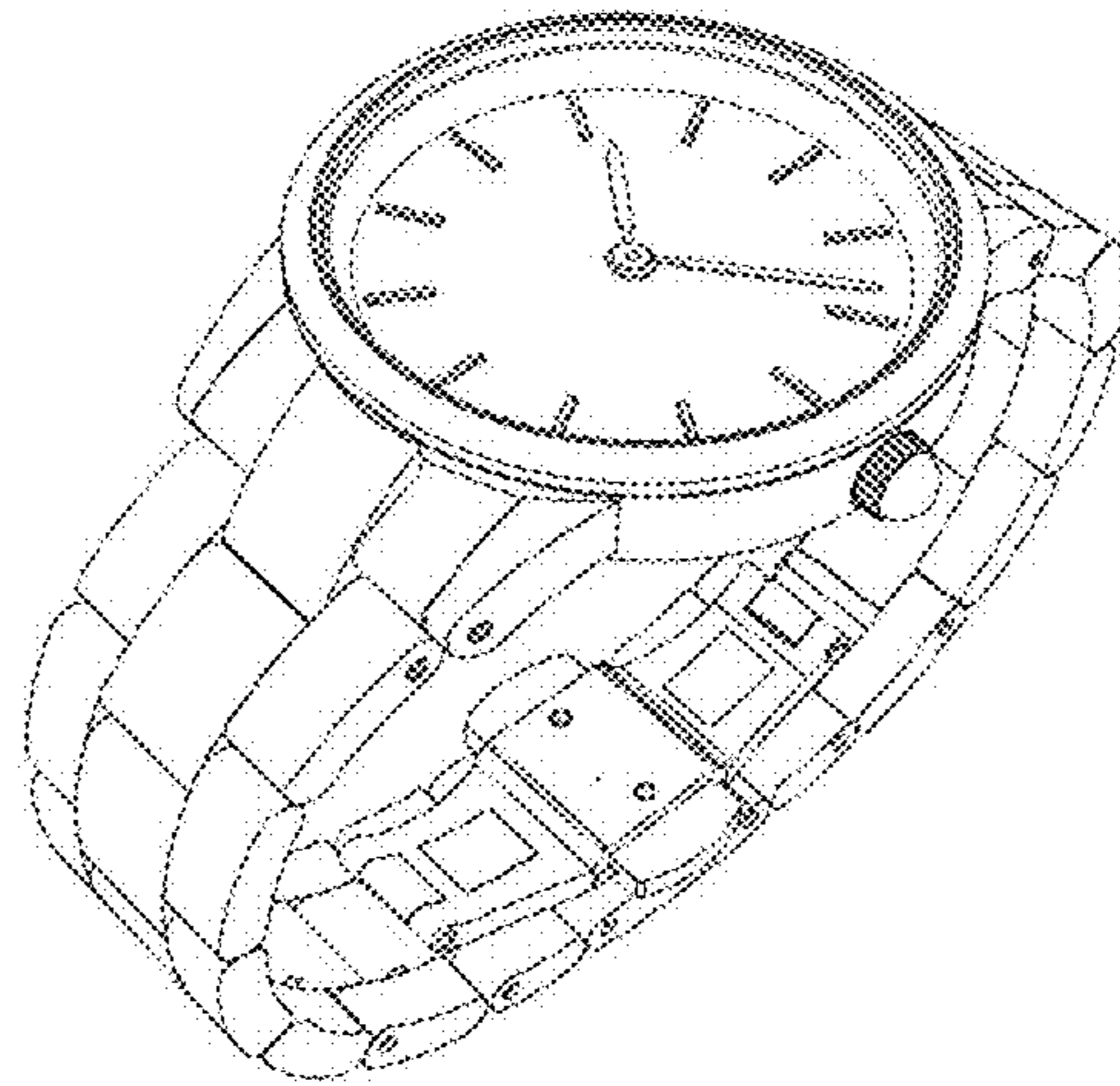
References Cited

U.S. PATENT DOCUMENTS

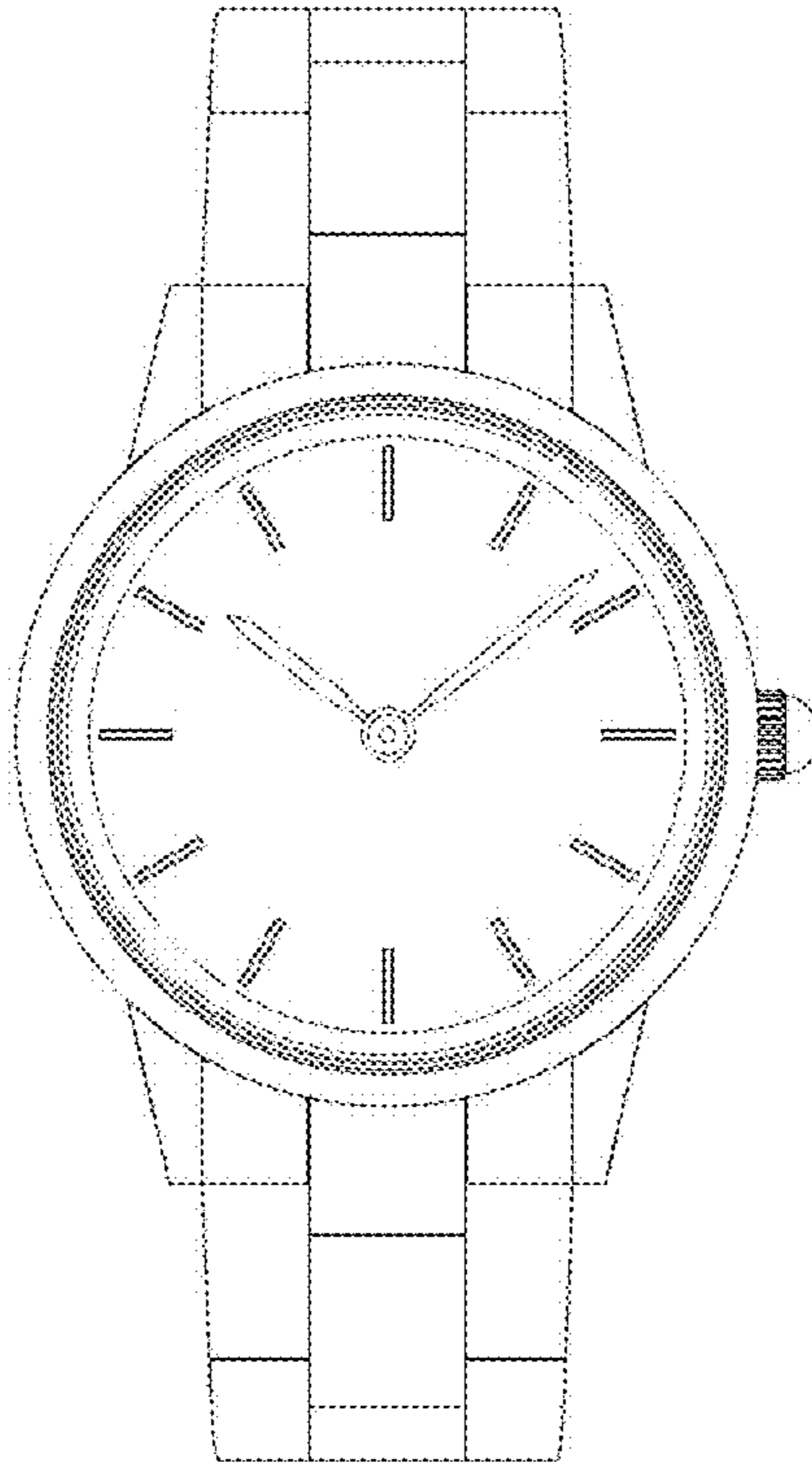
D559,123 S *	1/2008	Modolo	D10/32
D667,316 S *	9/2012	Tonohori	D10/32
D761,130 S *	7/2016	Soares	D10/32

* cited by examiner

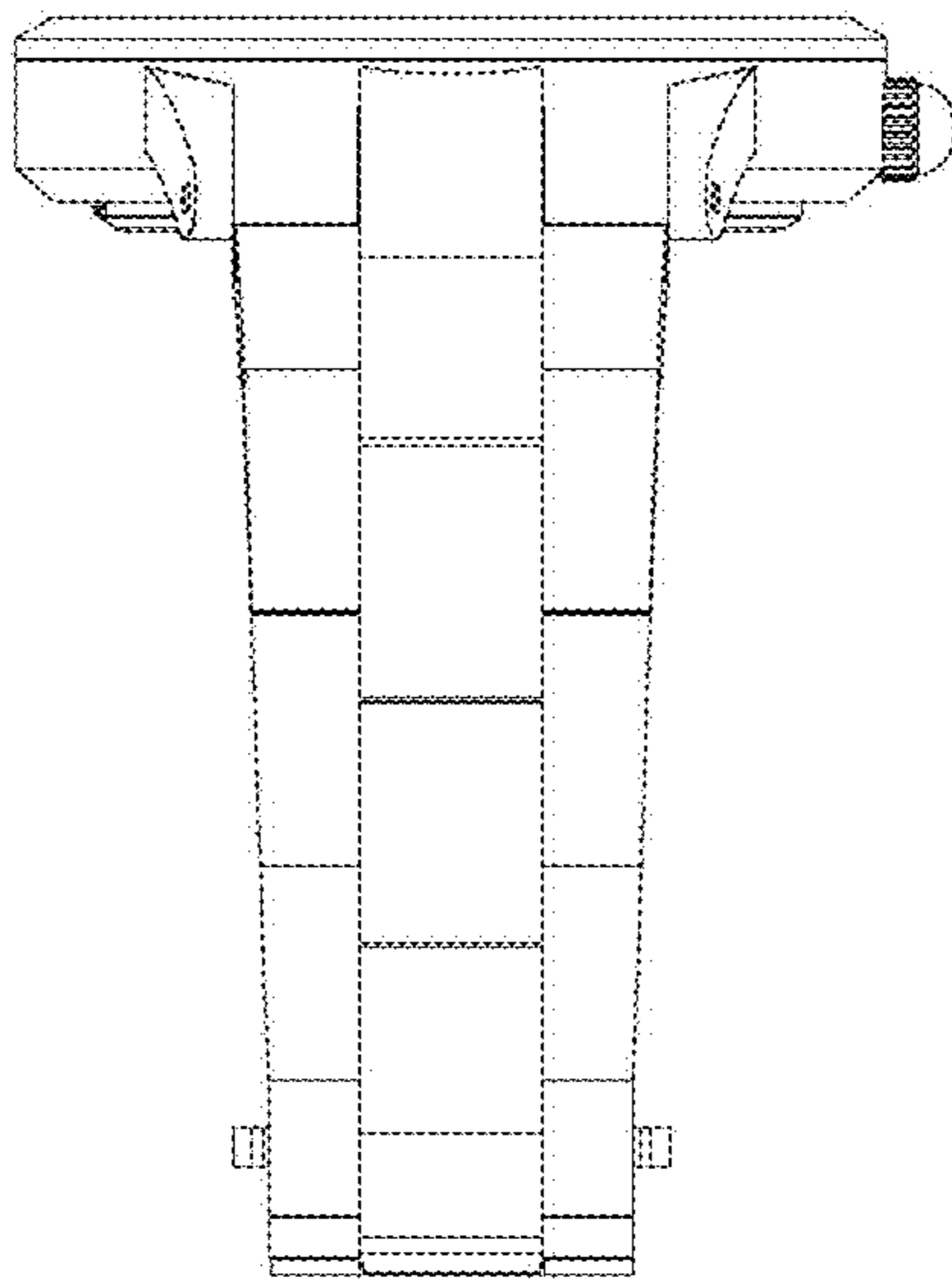
1.1



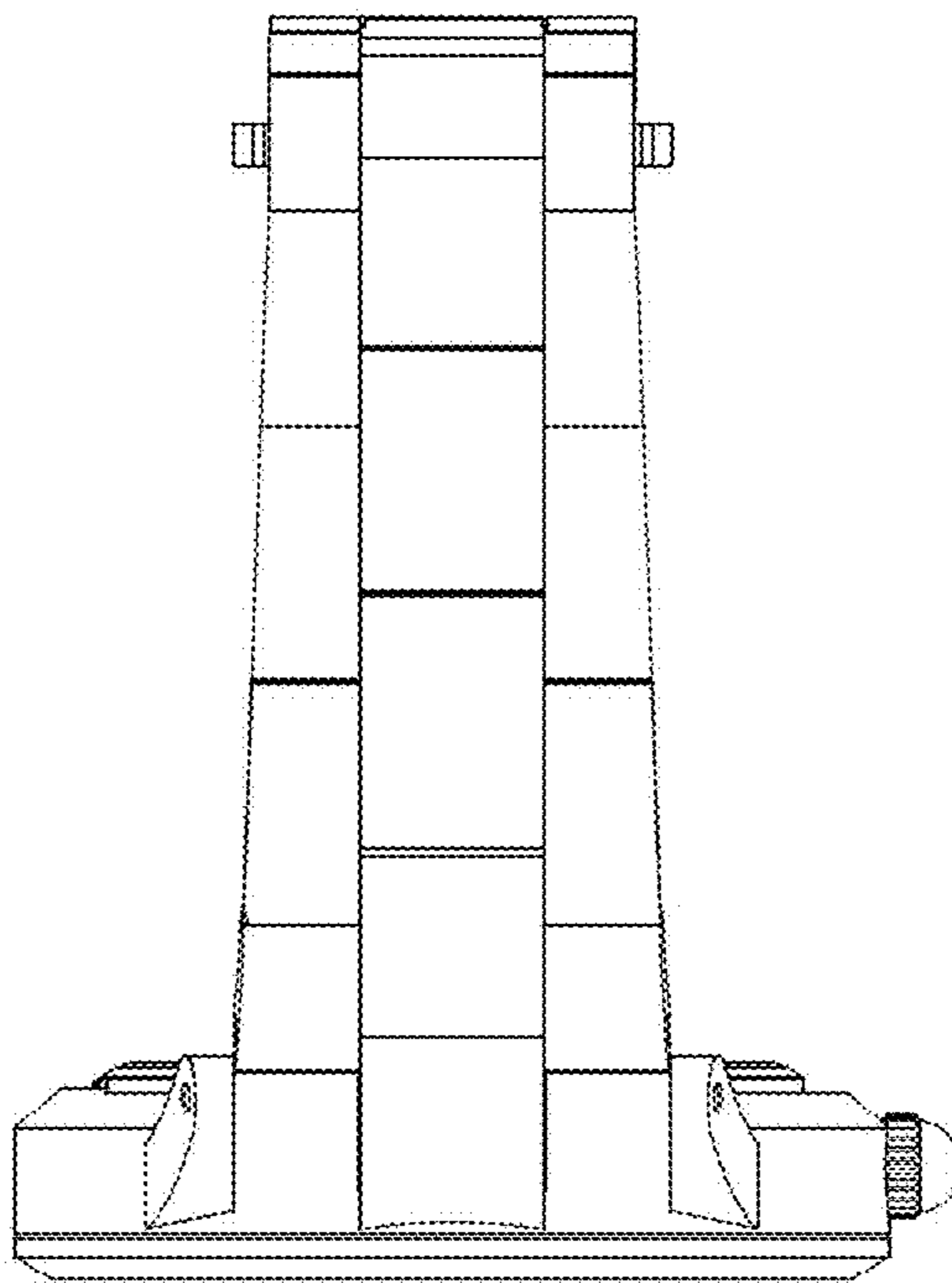
1.2



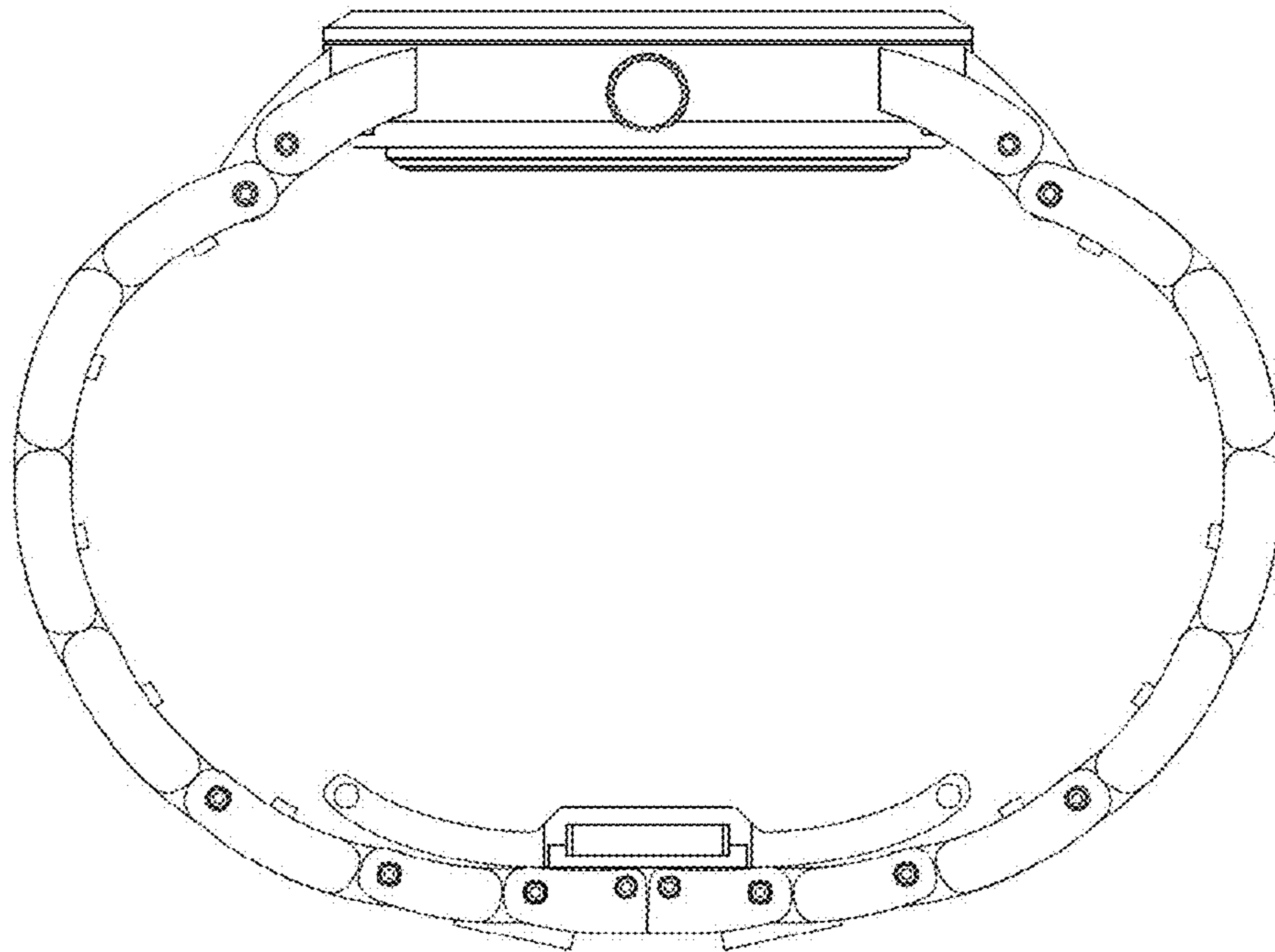
1.3



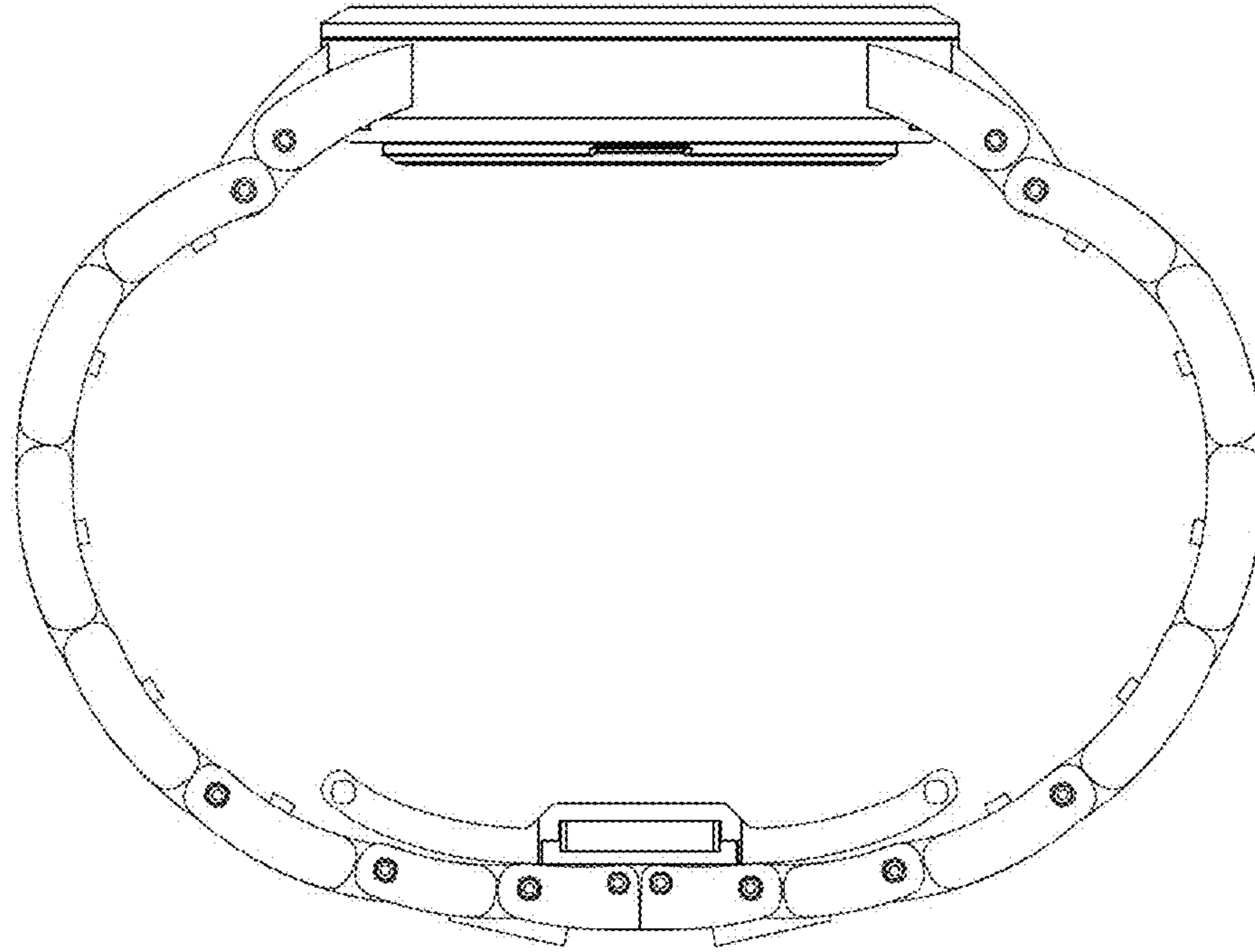
1.4



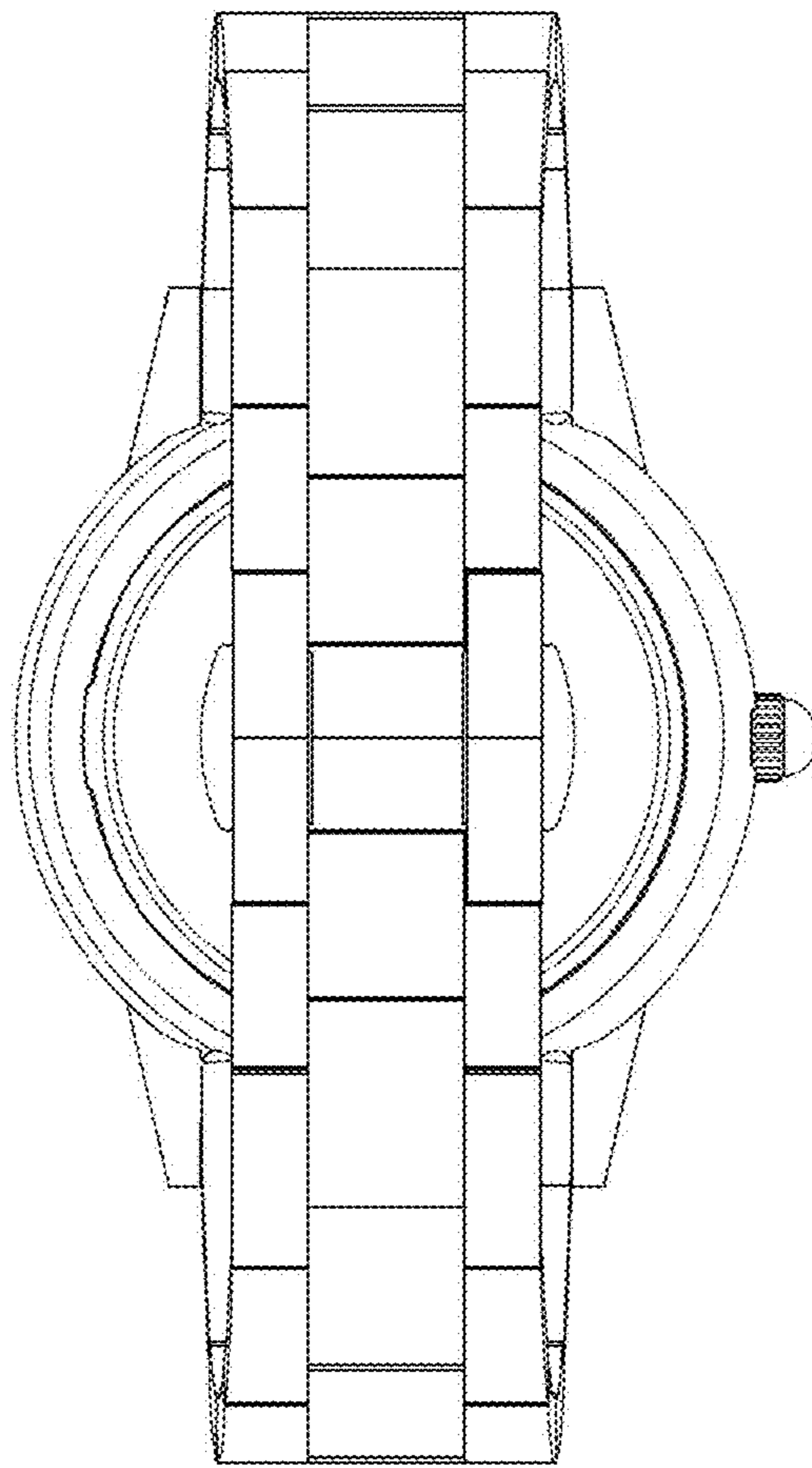
1.5



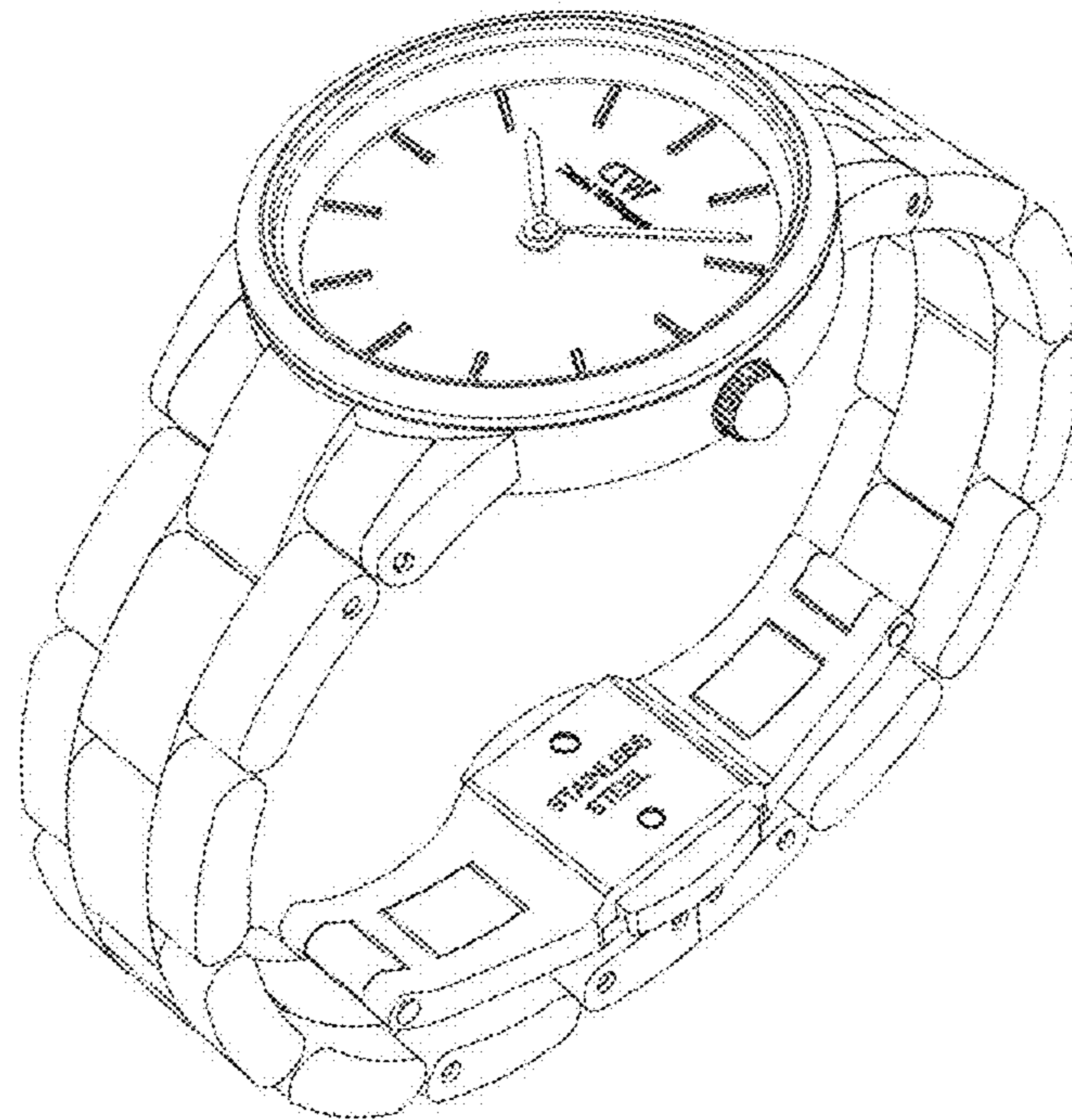
1.6



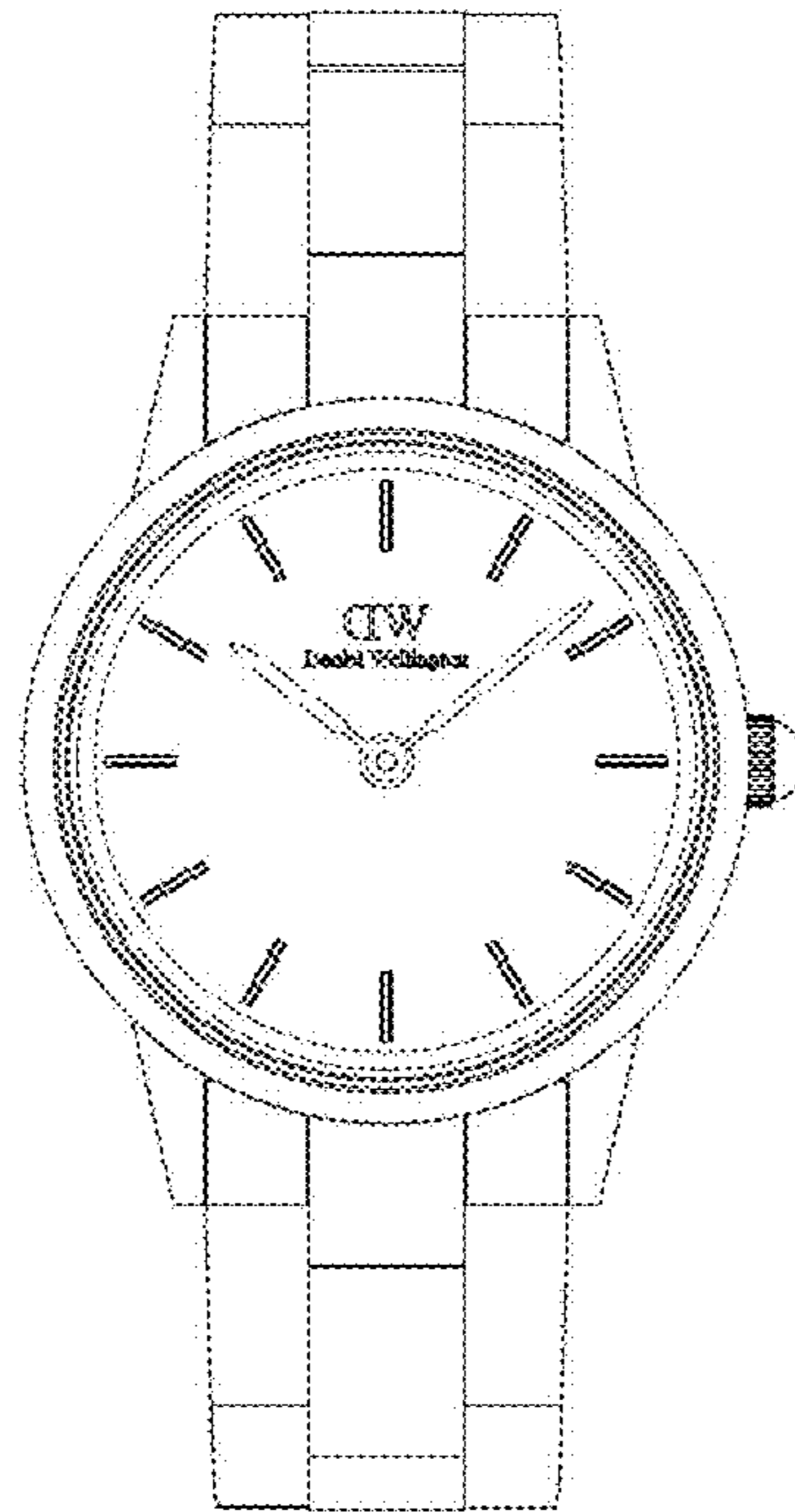
1.7



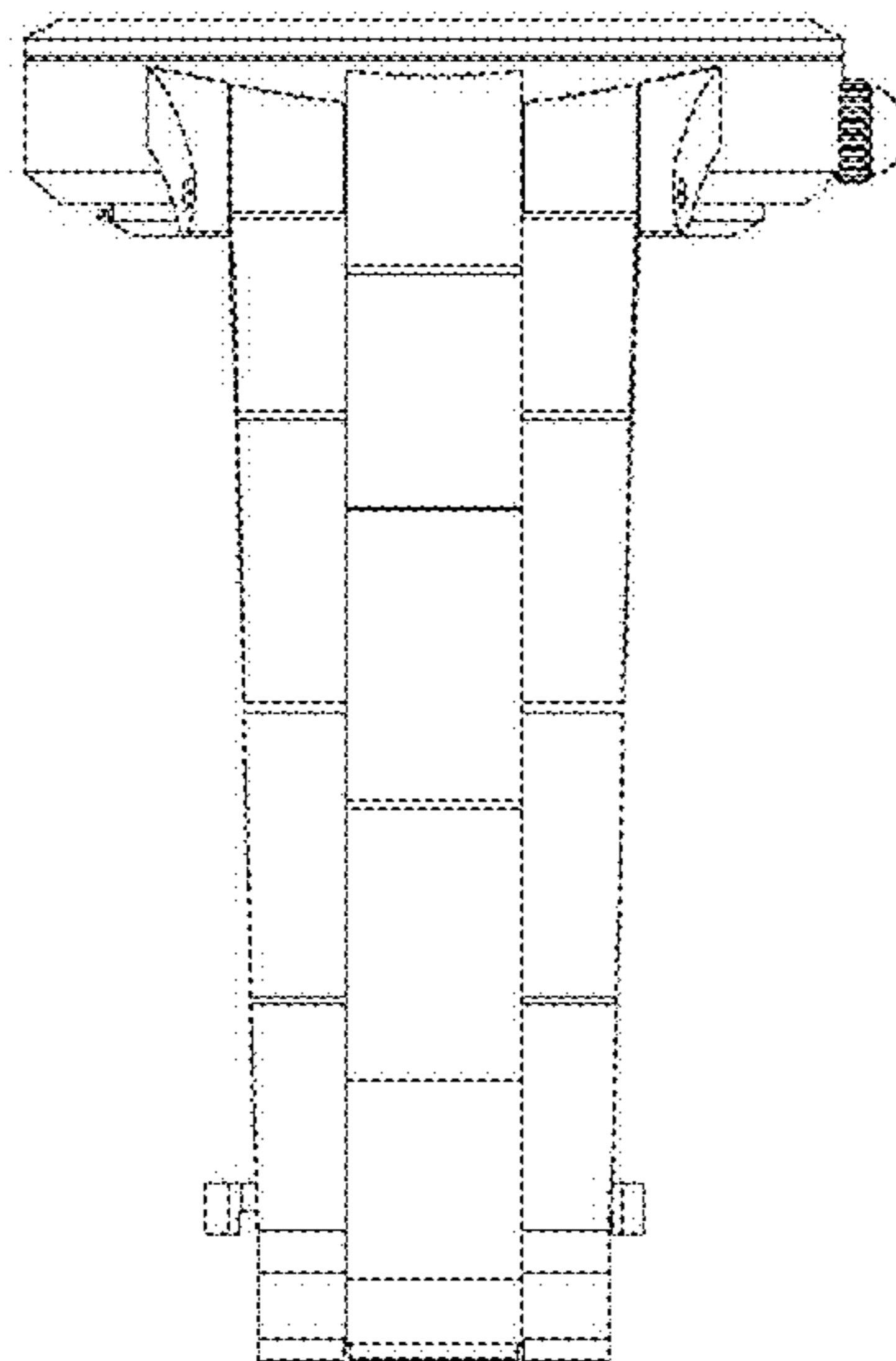
2.1



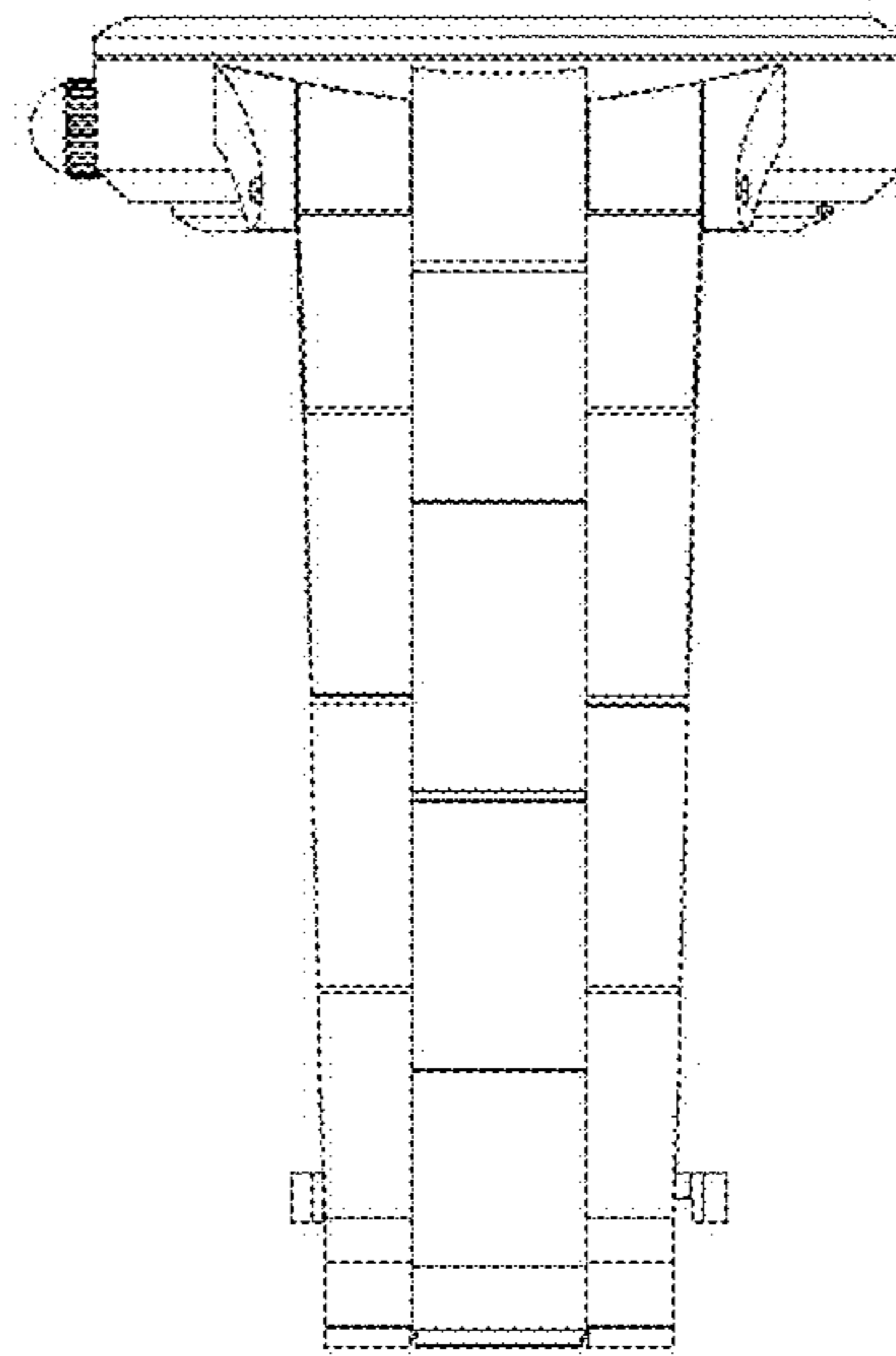
2.2



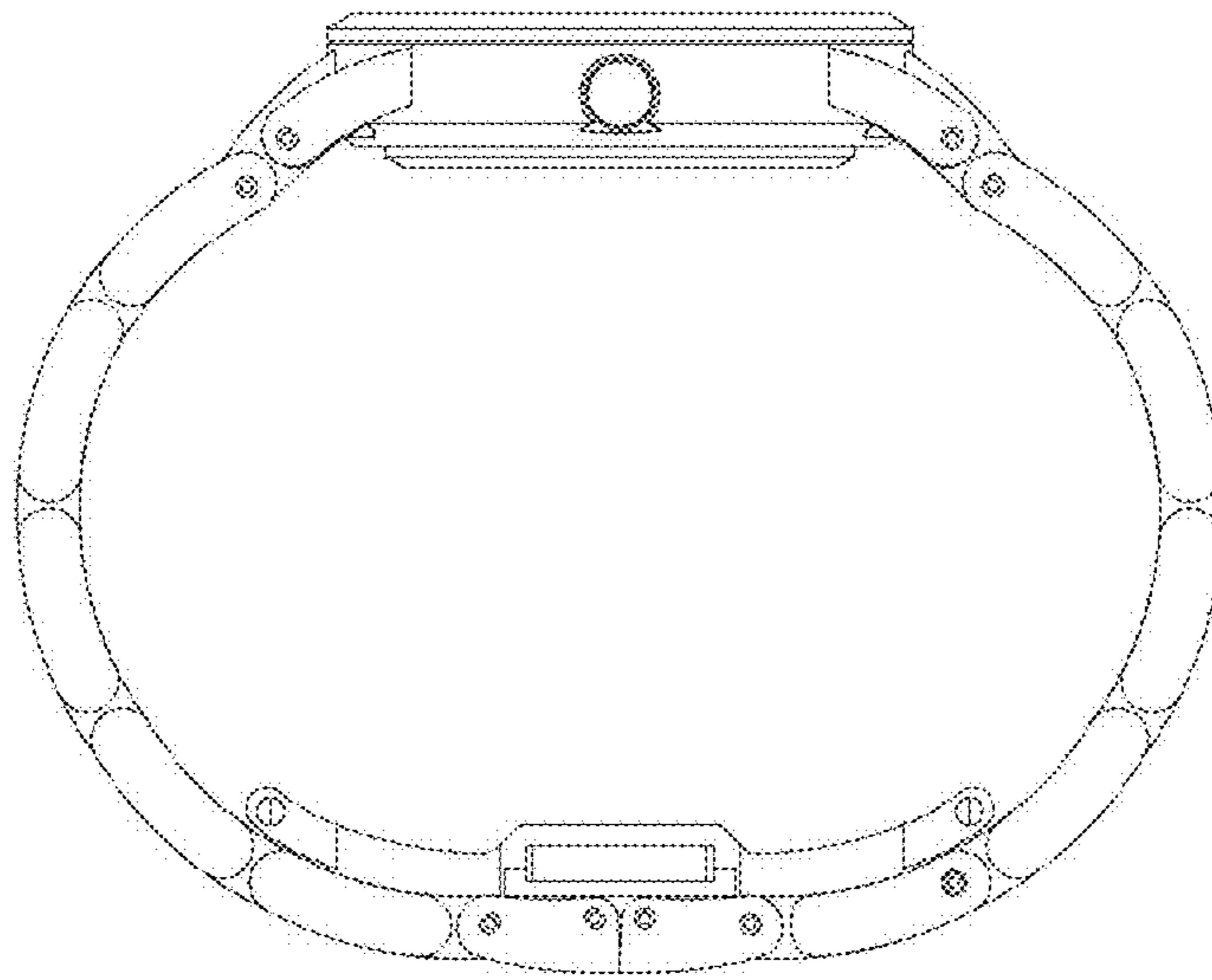
2.3



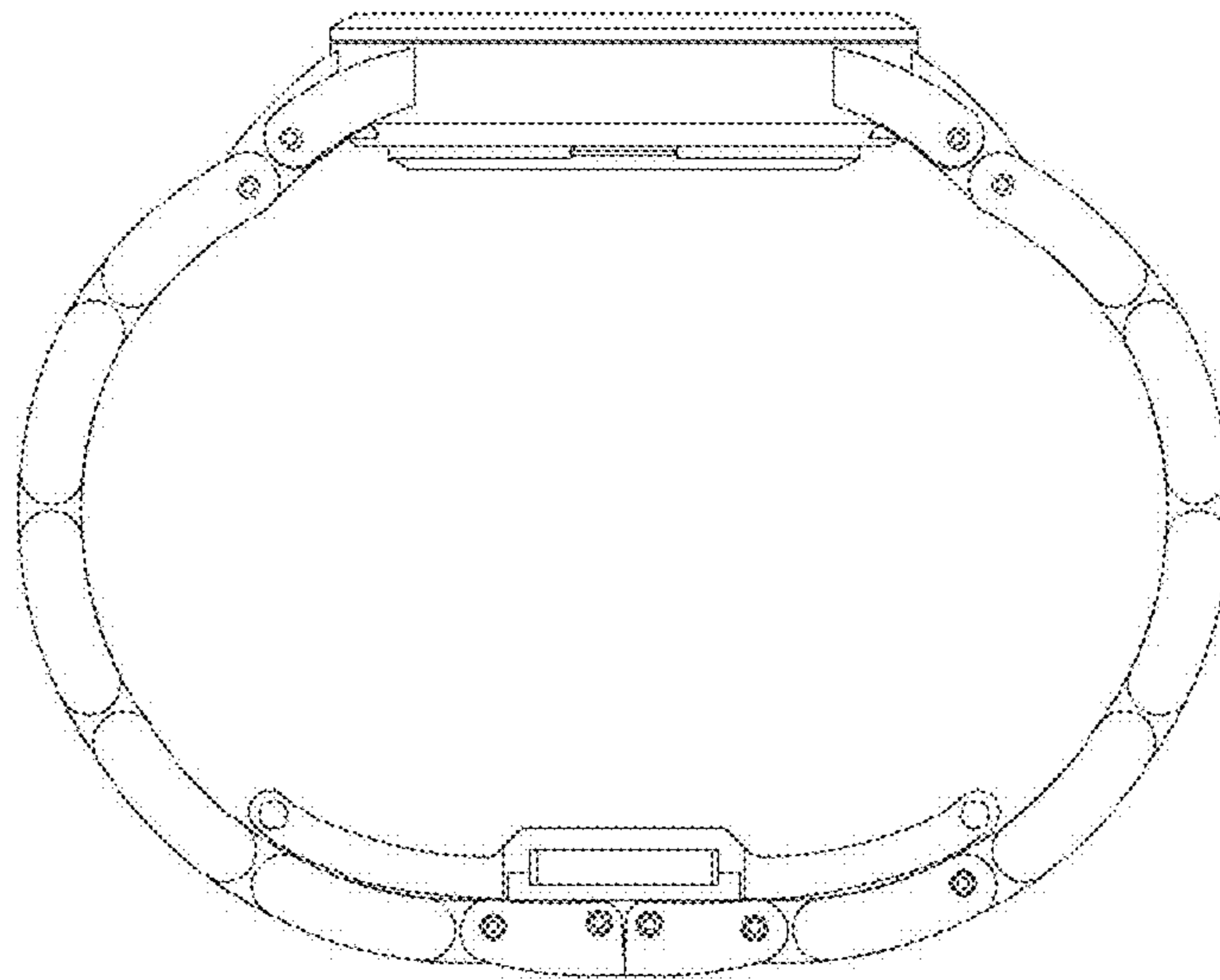
2.4



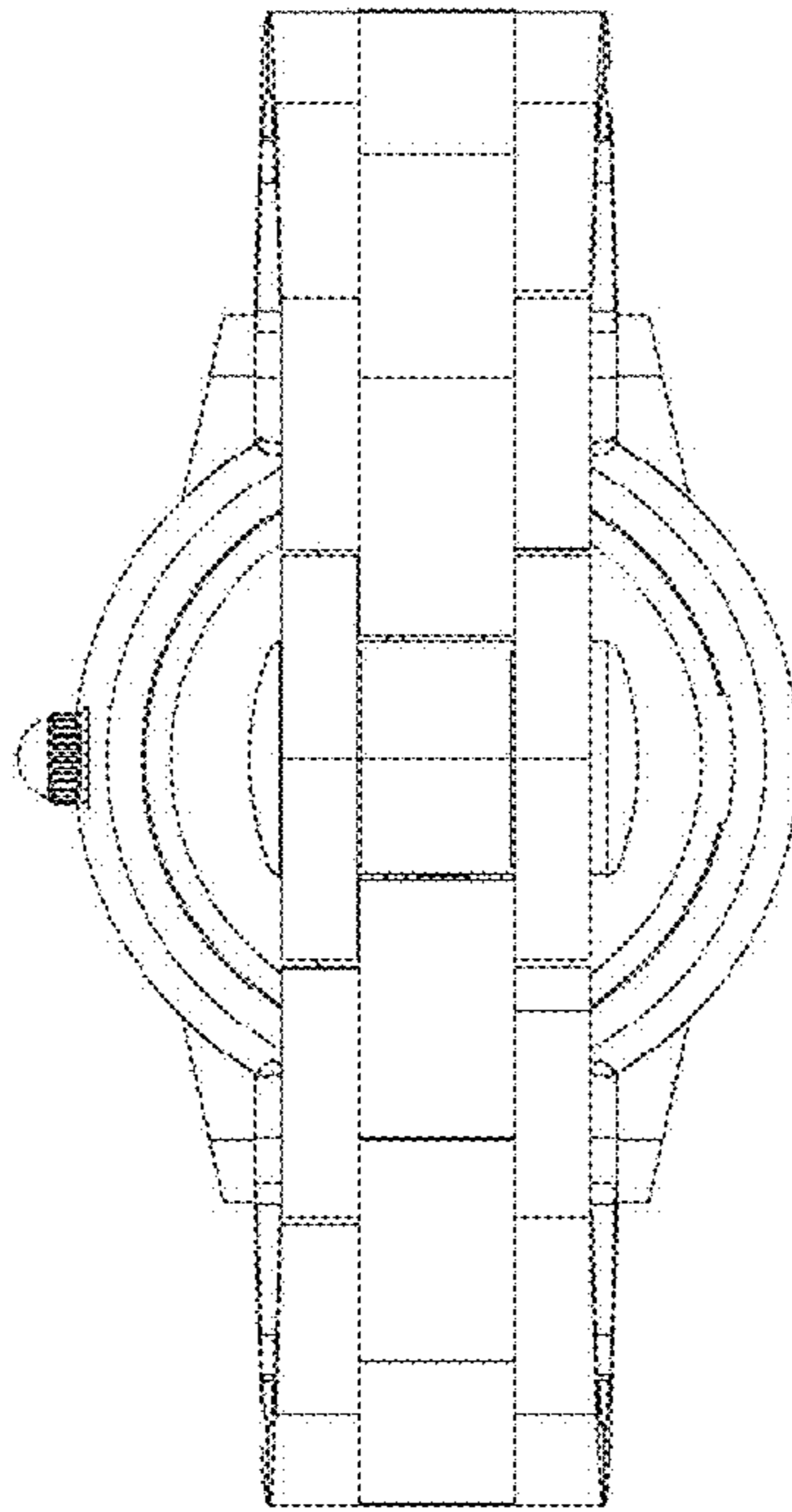
2.5



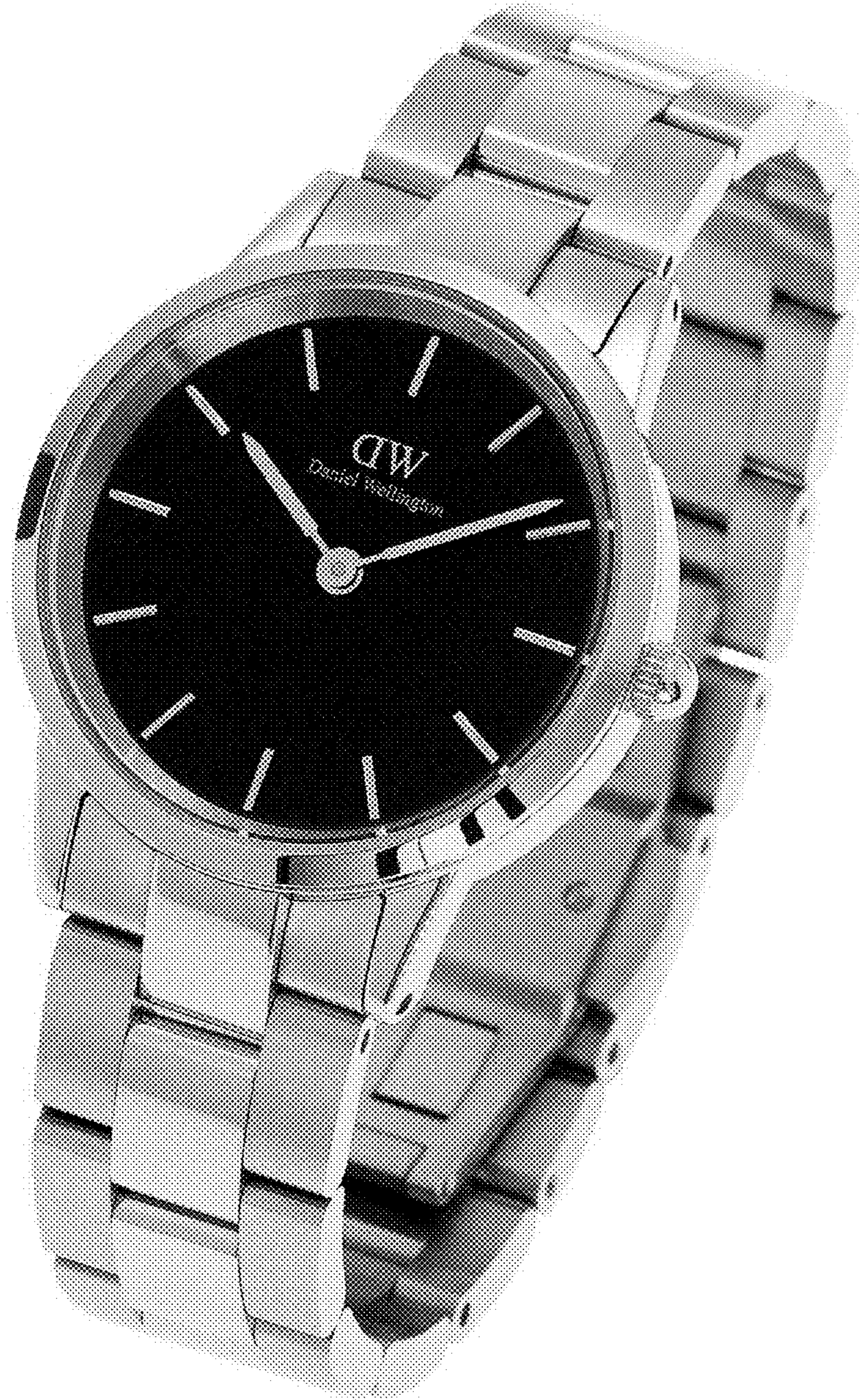
2.6



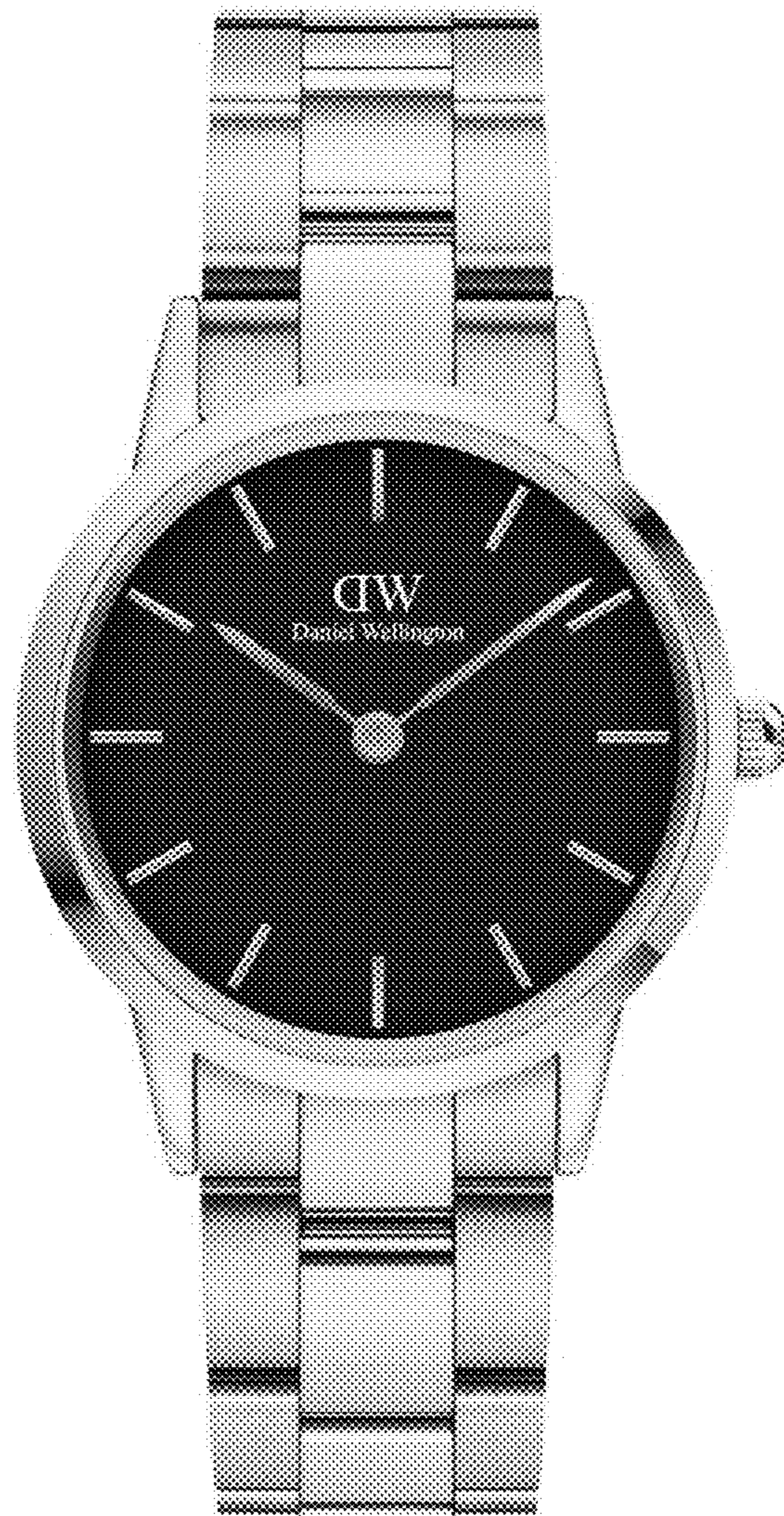
2.7



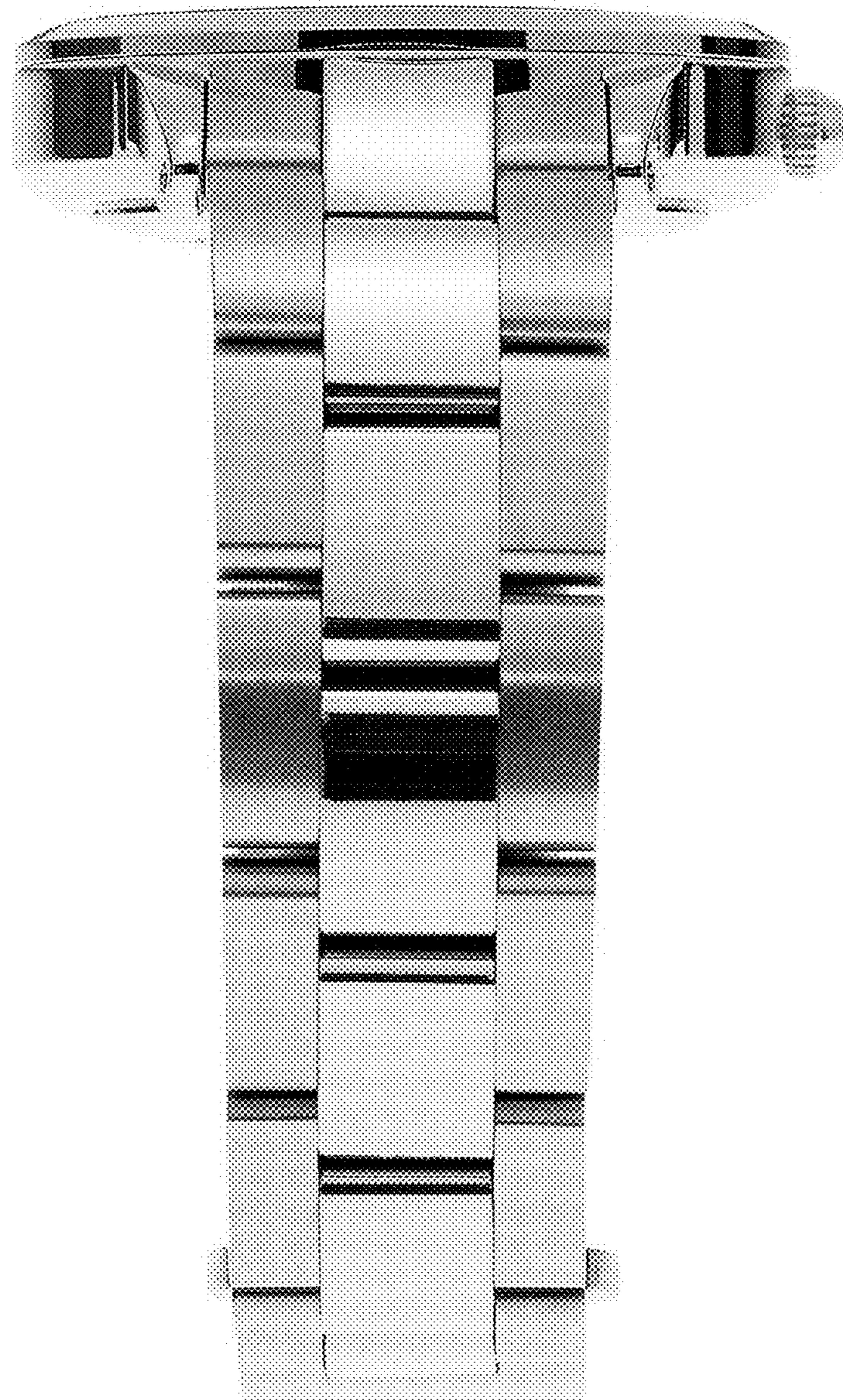
3.1



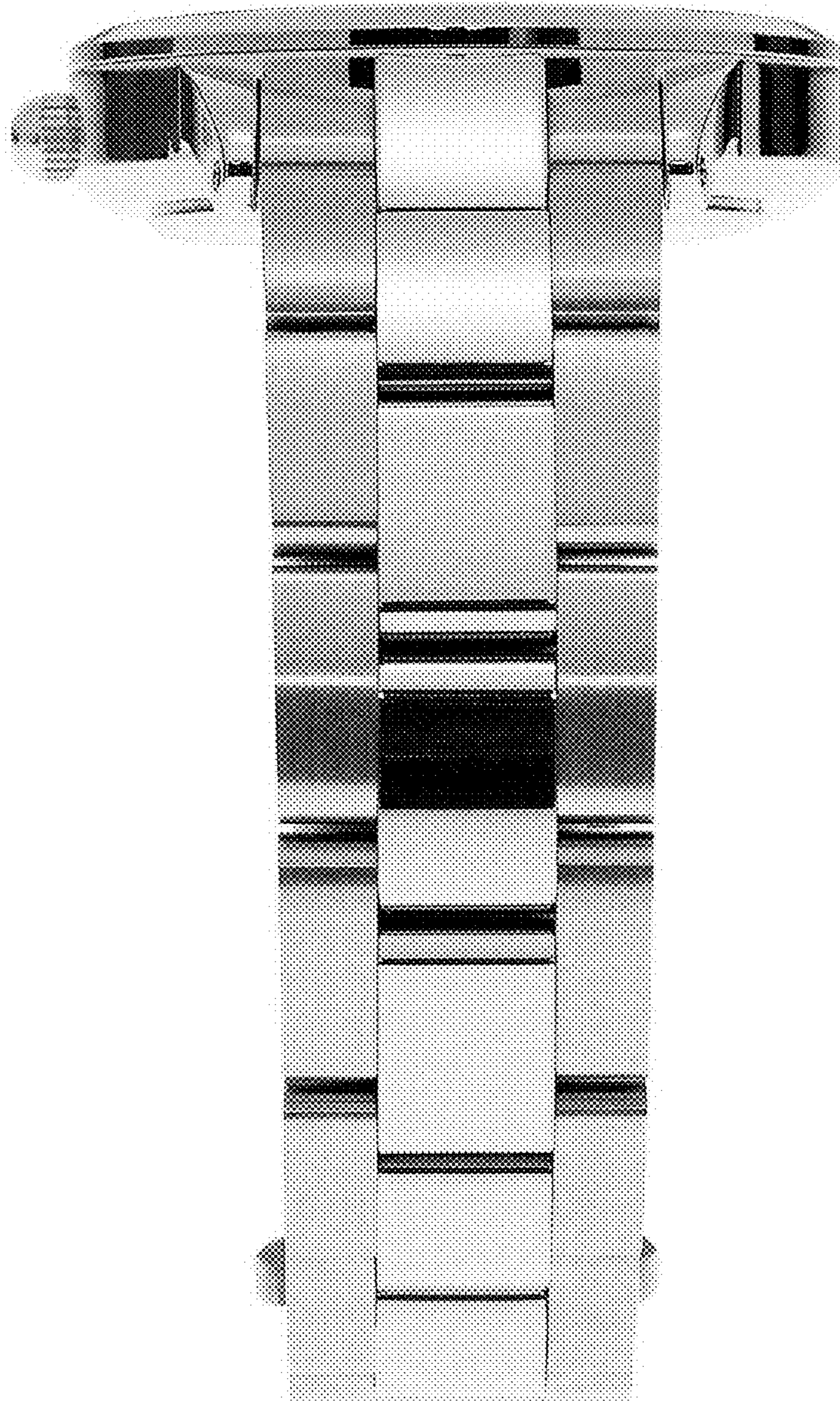
3.2



3.3



3.4



3.5



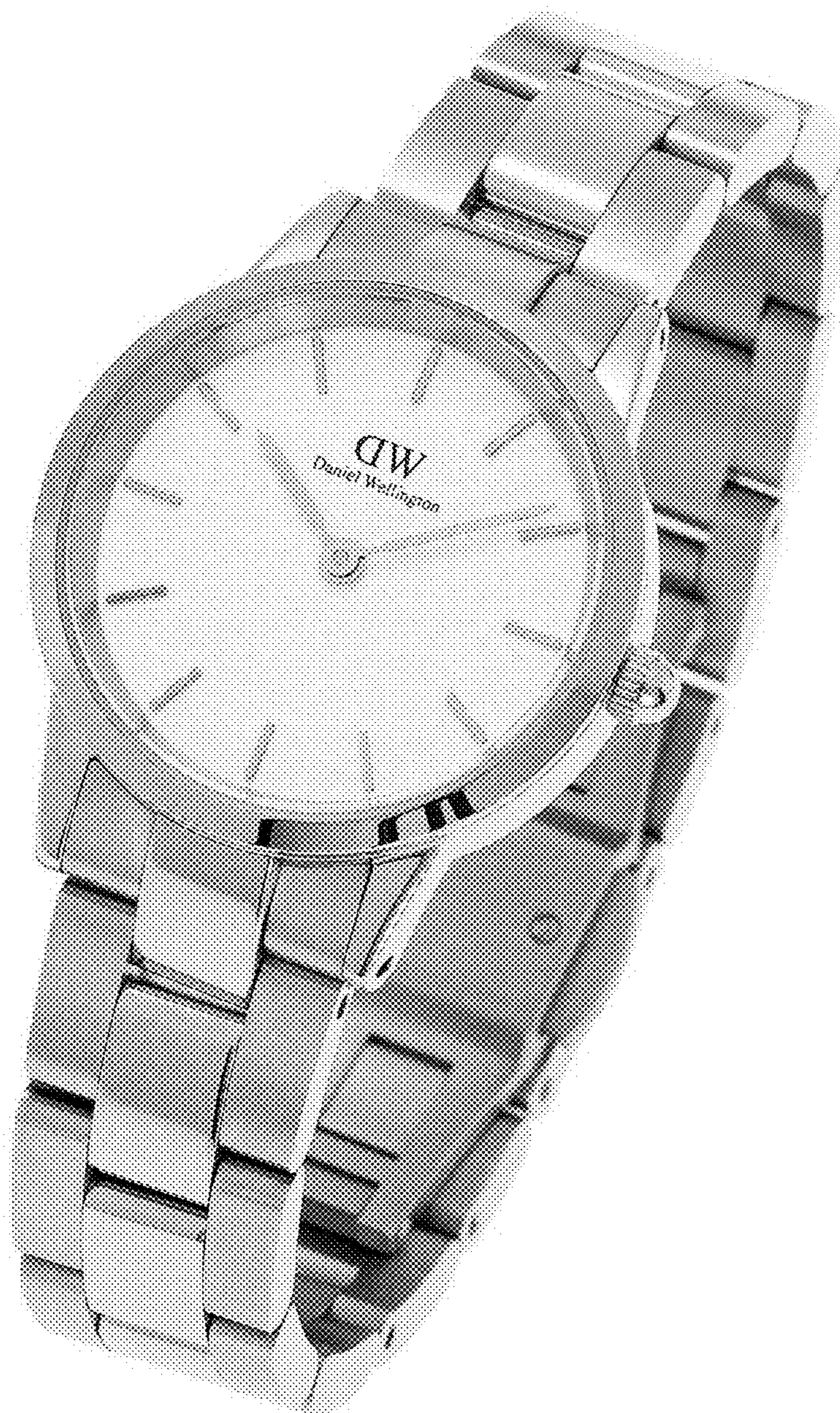
3.6



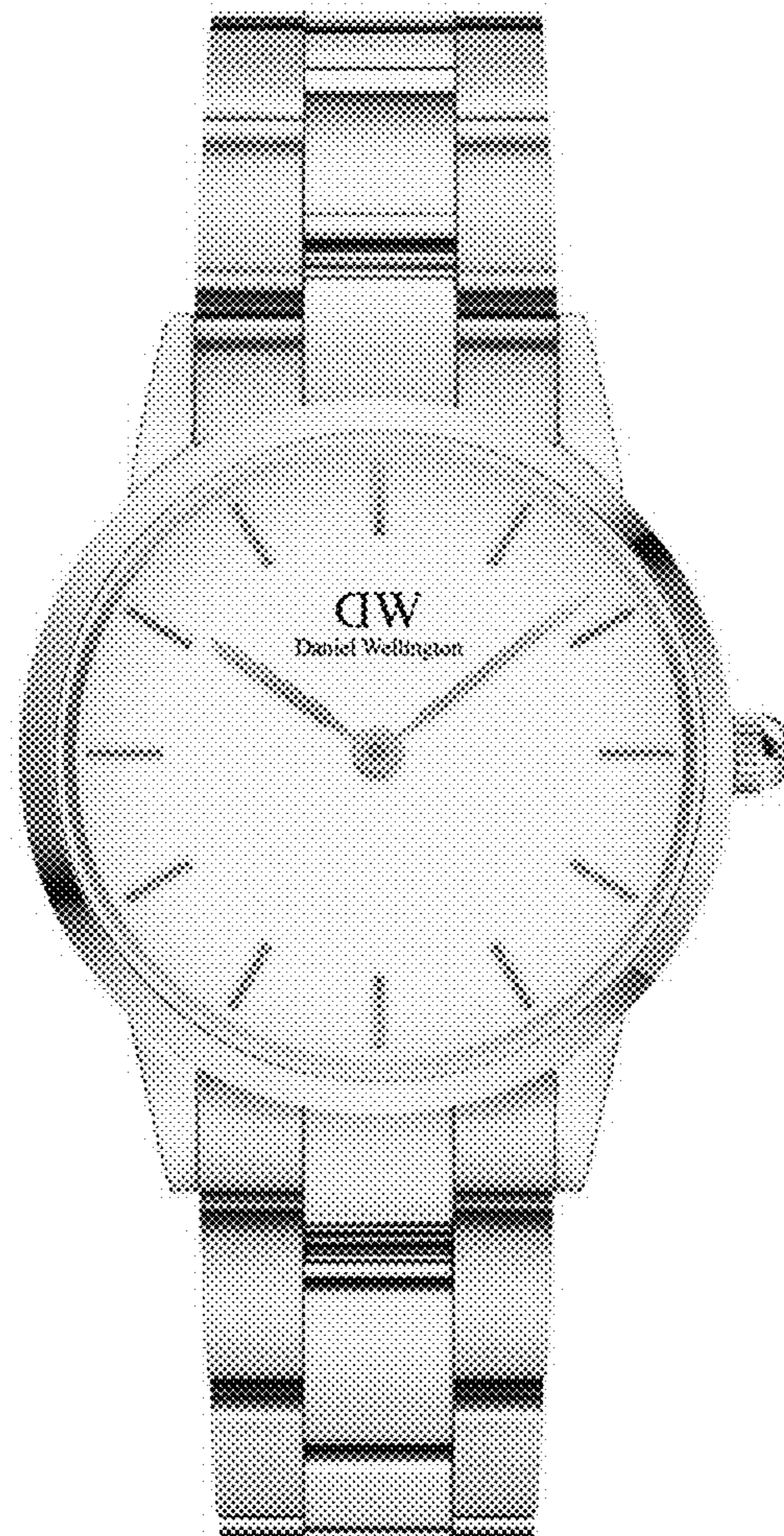
3.7



4.1



4.2



4.3



4.4



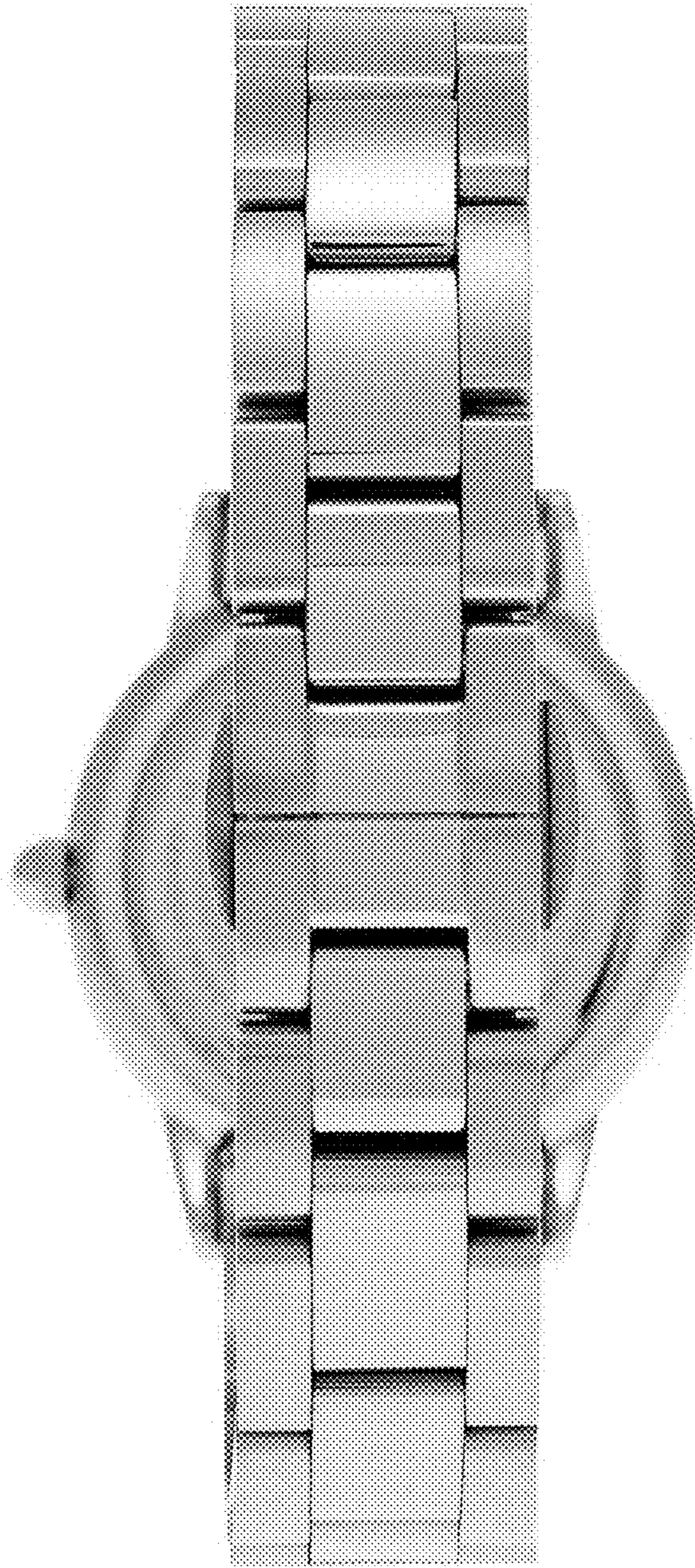
4.5



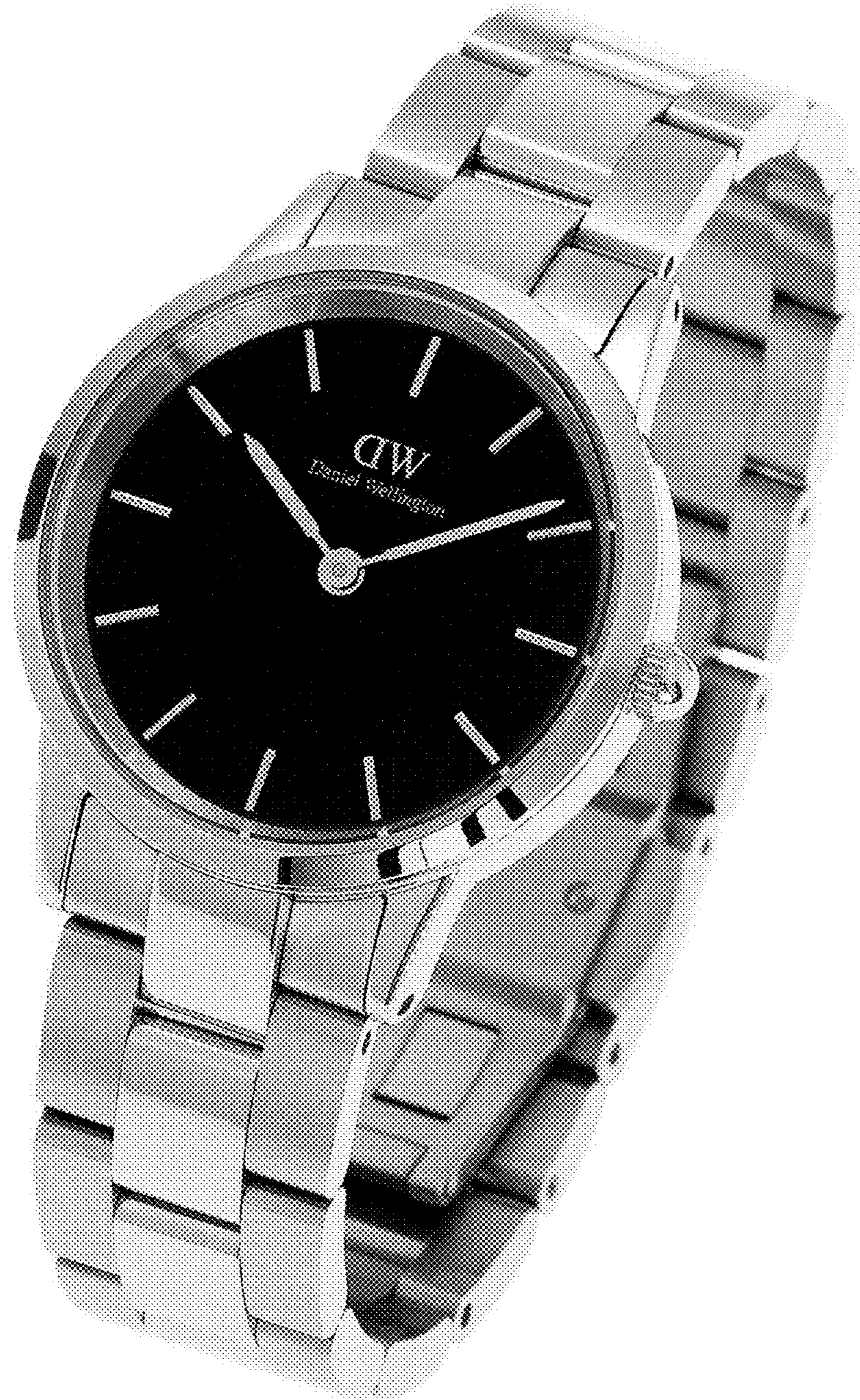
4.6



4.7



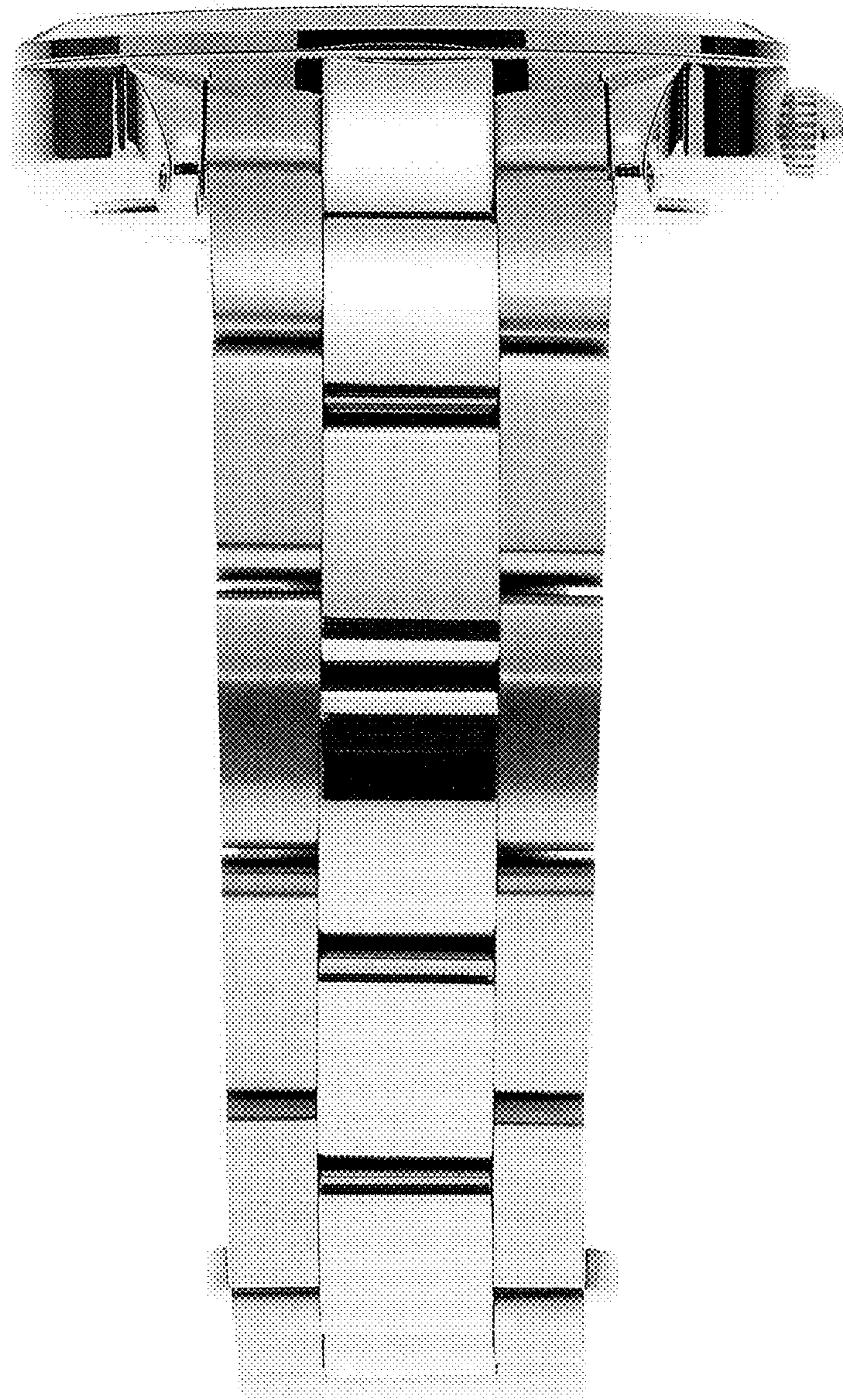
5.1



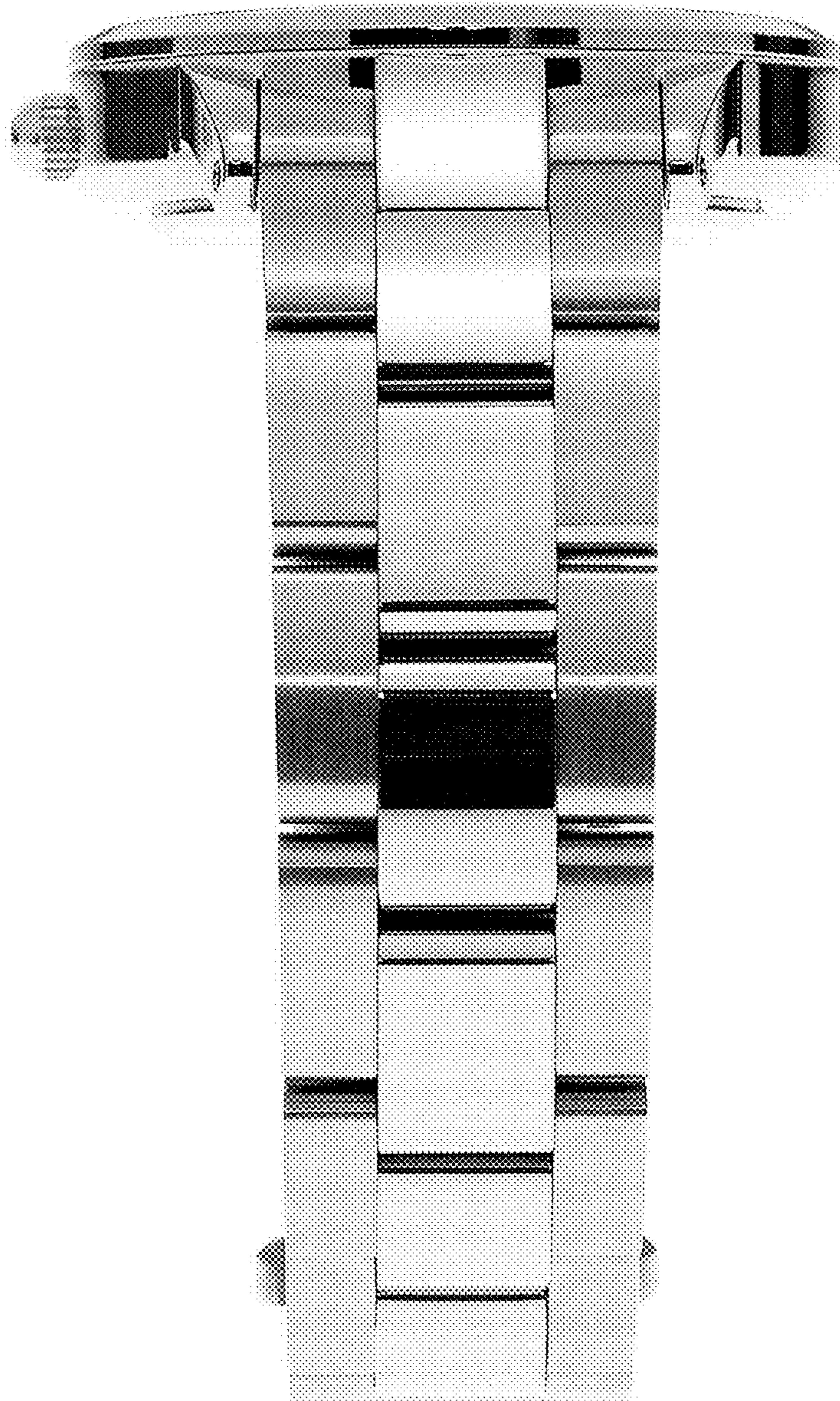
5.2



5.3



5.4



5.5



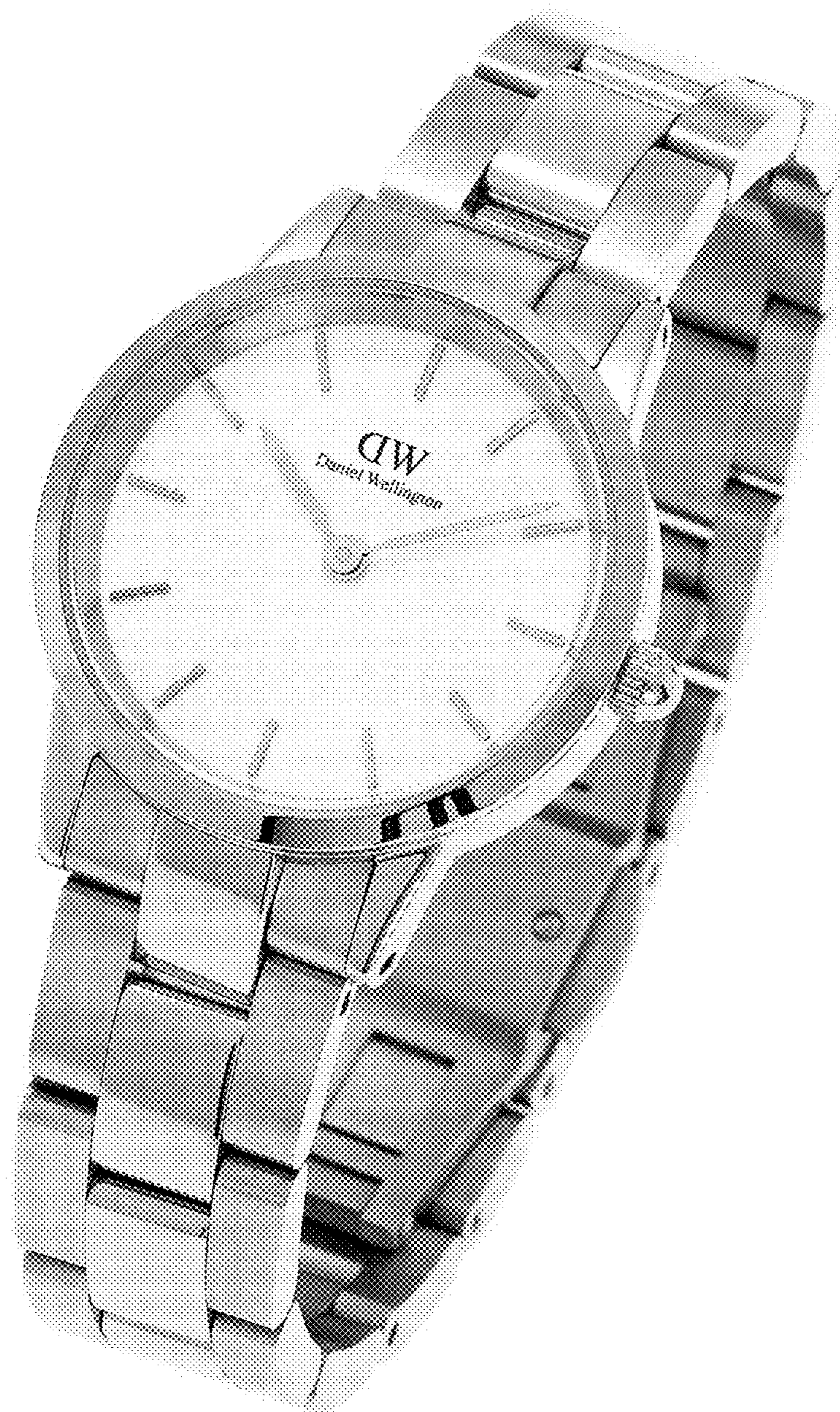
5.6



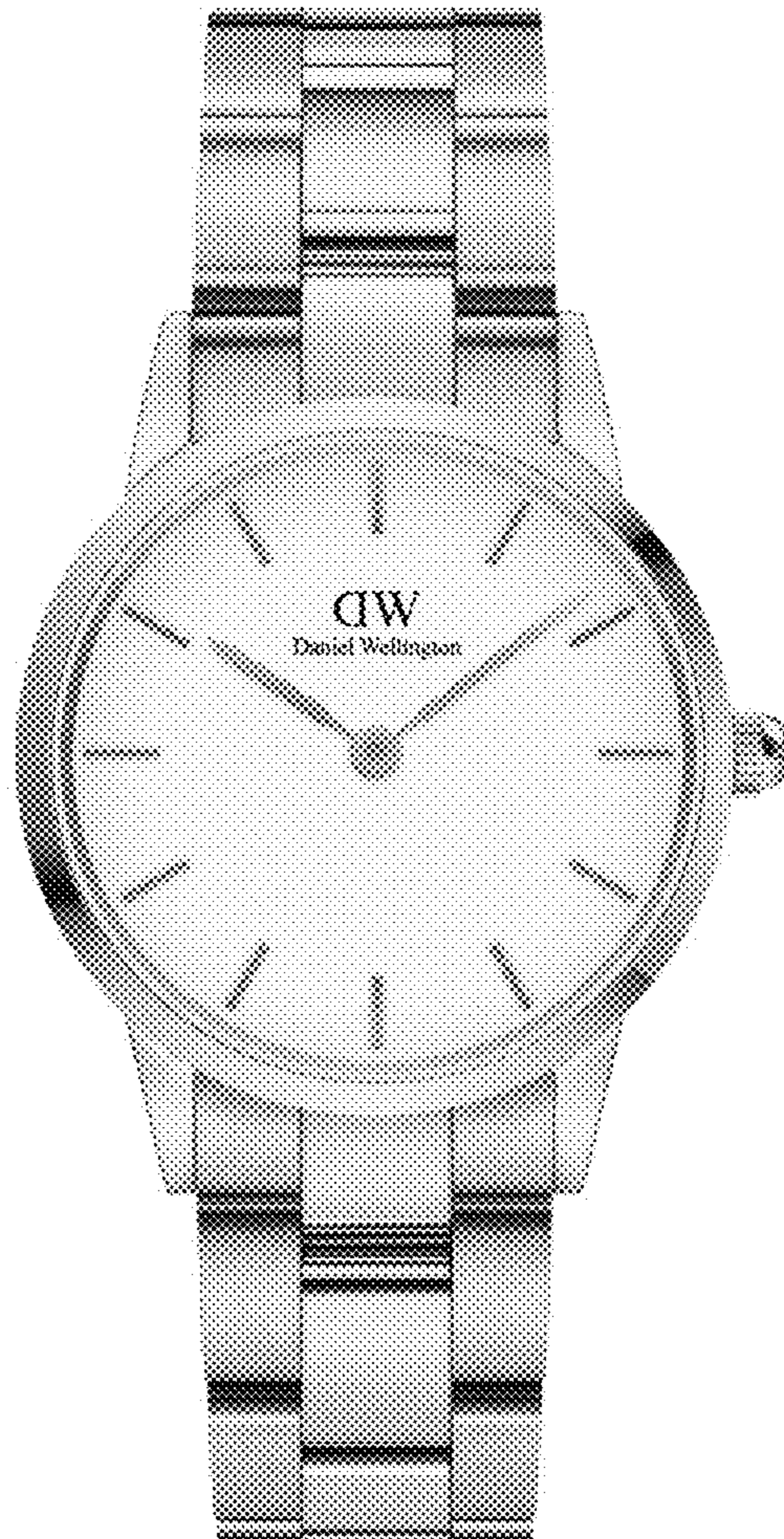
5.7



6.1



6.2



6.3



6.4



6.5



6.6



6.7

