



US00D912533S

(12) **United States Design Patent**
Yu

(10) **Patent No.:** **US D912,533 S**
(45) **Date of Patent:** **** Mar. 9, 2021**

(54) **CLOCK**

(71) Applicant: **FUZHOU ESUN ELECTRONIC CO., LTD**, Fujian (CN)

(72) Inventor: **Guo Yu**, Fujian (CN)

(73) Assignee: **FUZHOU ESUN ELECTRONIC CO., LTD**, Fujian (CN)

(**) Term: **15 Years**

(21) Appl. No.: **29/656,161**

(22) Filed: **Jul. 11, 2018**

(51) **LOC (13) Cl.** **10-01**

(52) **U.S. Cl.**
USPC **D10/15; D10/24**

(58) **Field of Classification Search**
USPC D10/1-5, 14-15, 22, 24-25, 40, 52-53;
D14/168, 170-171, 188
CPC G04B 19/00; G04B 19/04; G04B 19/34;
G04B 23/02; G04B 21/00; G04B
45/0007; G04B 45/0038; G04B 45/0069;
G04B 47/00; G04B 47/04; G04G 17/00;
G04G 17/086; G04G 13/02; G04C 19/02
See application file for complete search history.

(56) **References Cited**

U.S. PATENT DOCUMENTS

D102,840 S *	1/1937	Rainbault	D10/15
D228,515 S *	10/1973	Watanabe	D10/3
D241,977 S *	10/1976	Makino	D14/171
D242,385 S *	11/1976	Hamada	D14/171
D296,786 S *	7/1988	Baskin	D10/2
D334,930 S *	4/1993	Collins	D14/168
5,365,494 A *	11/1994	Lynch	G04G 11/00 368/10
D422,510 S *	4/2000	Holland	D10/15
D431,196 S *	9/2000	Godfrey	D10/40
D496,649 S *	9/2004	Murakami	D14/171
D531,523 S *	11/2006	Bhavnani	D10/15
D543,868 S *	6/2007	Bhavnani	D10/15

D545,693 S *	7/2007	Iwasaki	D10/15
D553,509 S *	10/2007	Chow	D10/15
D564,915 S *	3/2008	Silva	D10/46
D694,127 S *	11/2013	Hsu	D10/15
D694,653 S *	12/2013	Hsu	D10/15
D696,969 S *	1/2014	Aitken	D10/40
D700,528 S *	3/2014	Joseph	D10/15

(Continued)

FOREIGN PATENT DOCUMENTS

EM 005505476-002 * 7/2018

OTHER PUBLICATIONS

2018 Esun New brand tiny mini table digital clock | alibaba.com, no posting date [online]. © 1999-2020 Alibaba.com [retrieved Aug. 16, 2020] from Internet: <https://www.alibaba.com/product-detail/2018-ESUN-NEW-Brand-Tiny-Mini_60776043032.html?spm=a2700.galleryofferlist.0.0.31183cd4knh6IL> (Year: 2020).*

Primary Examiner — Katherine Glennon
(74) *Attorney, Agent, or Firm* — JCIPRNET

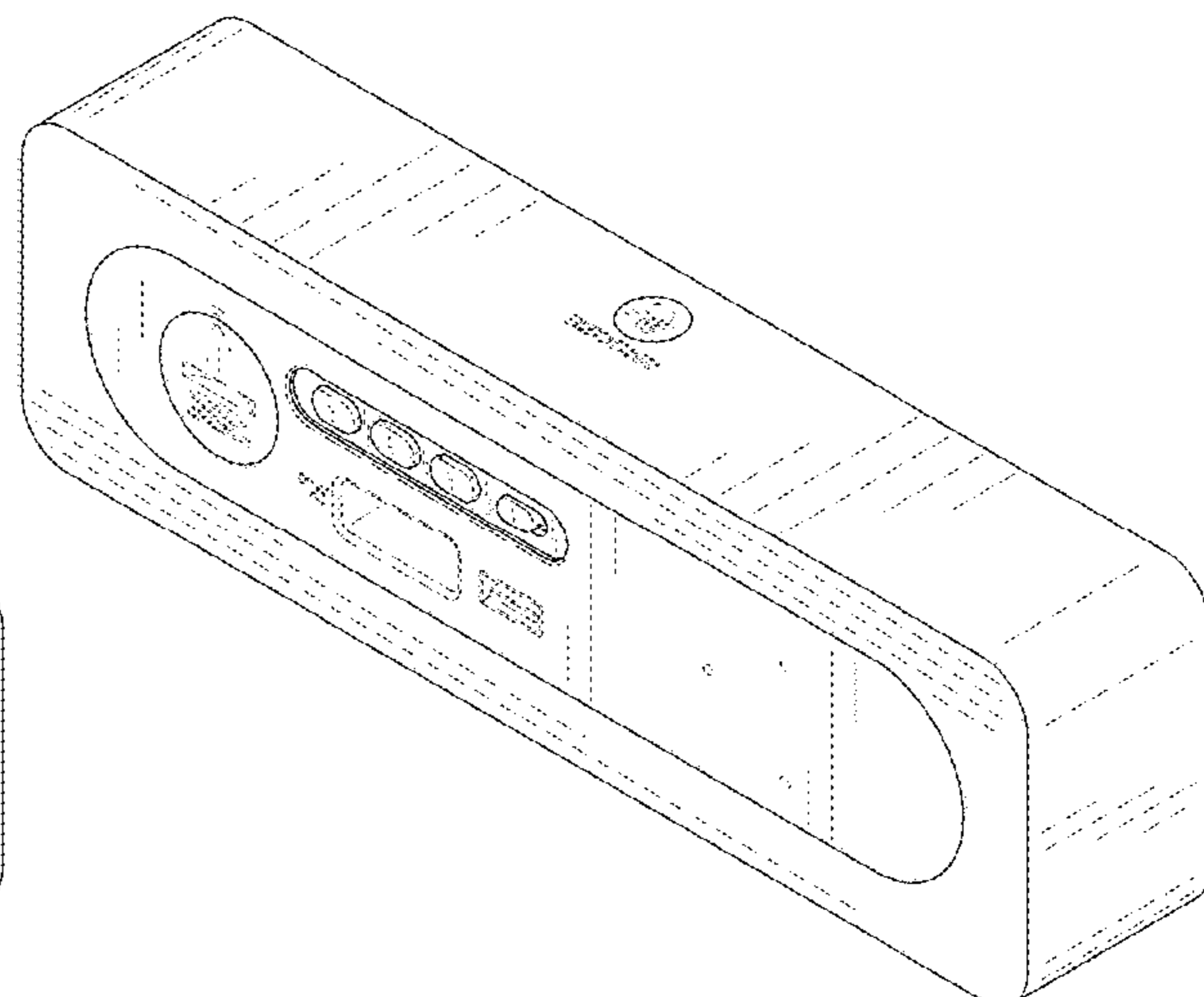
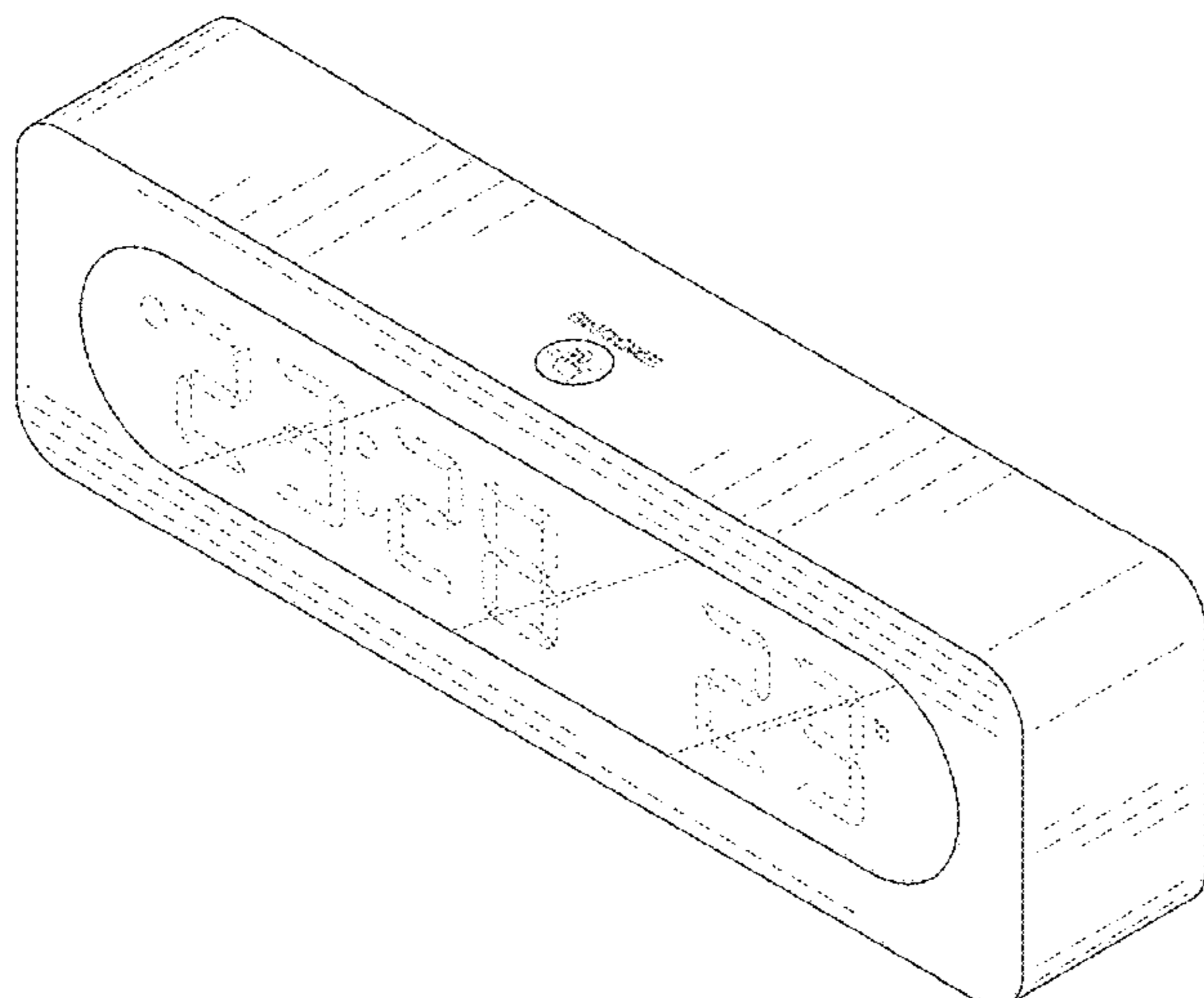
(57) **CLAIM**

The ornamental design for a clock, as shown and described.

DESCRIPTION

FIG. 1 is a front perspective view of a clock showing my new design;
FIG. 2 is a rear perspective view thereof;
FIG. 3 is a front view thereof;
FIG. 4 is a rear view thereof;
FIG. 5 is a left side view thereof;
FIG. 6 is a right side view thereof;
FIG. 7 is a top view thereof; and,
FIG. 8 is a bottom view thereof.
The broken lines in the views are for the purpose of illustrating portions of the clock that form no part of the claimed design.

1 Claim, 5 Drawing Sheets



(56)

References Cited

U.S. PATENT DOCUMENTS

D709,856	S *	7/2014	Holzer	D14/171
D760,093	S *	6/2016	Funk	D10/1
D842,130	S *	3/2019	Xiao	D10/26
D845,149	S *	4/2019	Yu	D10/15
D858,327	S *	9/2019	Matthews	D10/81
D875,554	S *	2/2020	Bai	D10/15
D884,489	S *	5/2020	Yu	D10/15
2003/0005613	A1 *	1/2003	Gleekel	G04G 17/08 40/711
2008/0123472	A1 *	5/2008	Bart	G04G 13/028 368/10
2008/0129654	A1 *	6/2008	Bhavnani	G04G 17/086 345/59
2010/0296371	A1 *	11/2010	Wu	G04G 17/086 368/242
2011/0310705	A1 *	12/2011	Fujii	G06F 1/1626 368/10

* cited by examiner

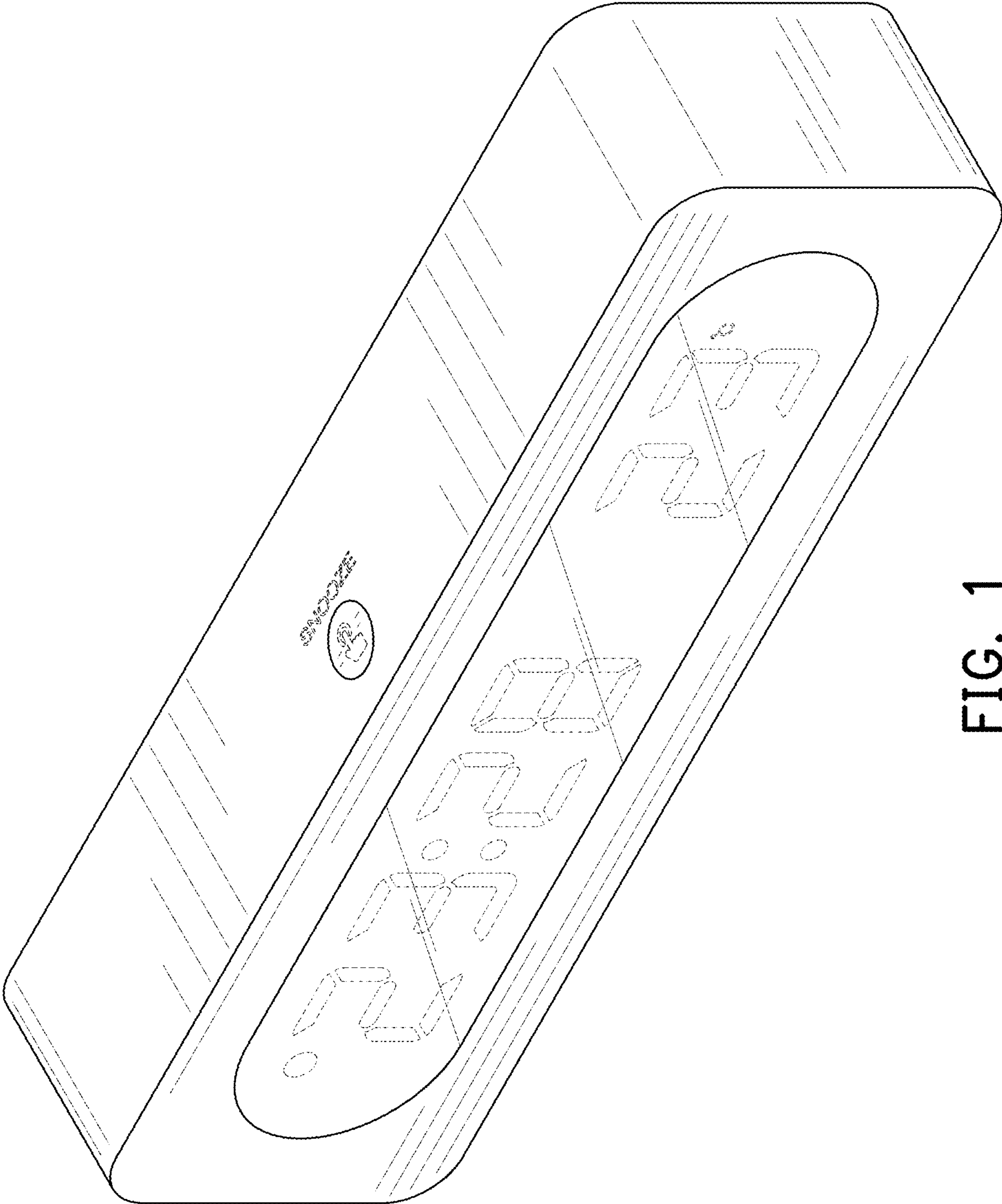


FIG. 1

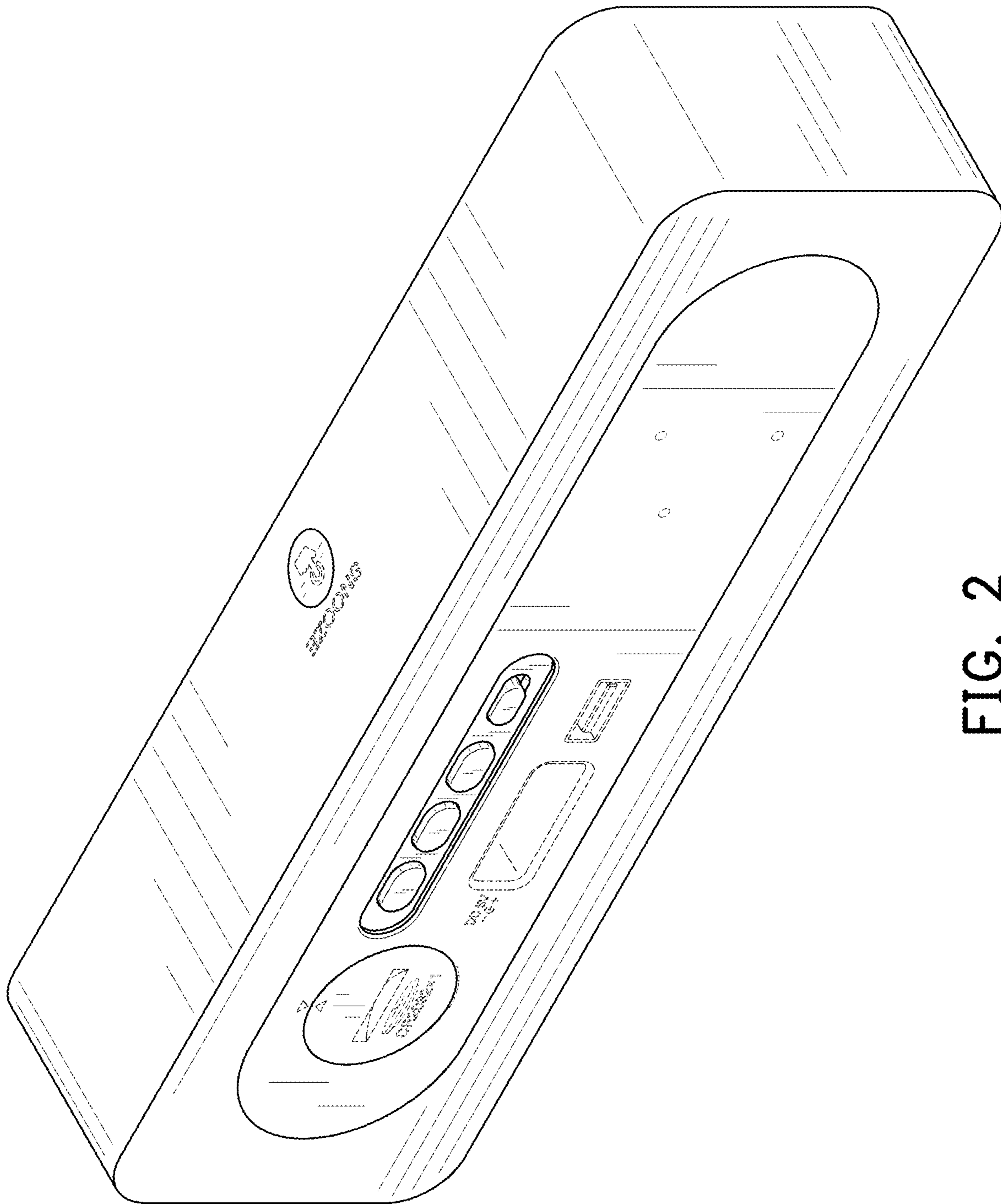


FIG. 2

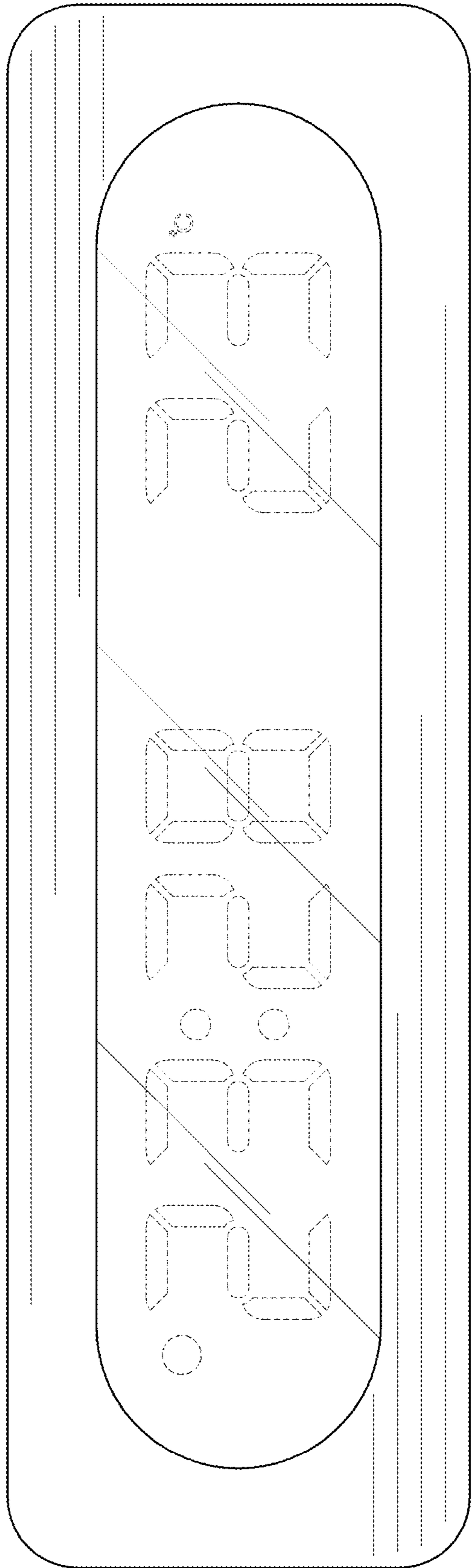


FIG. 3

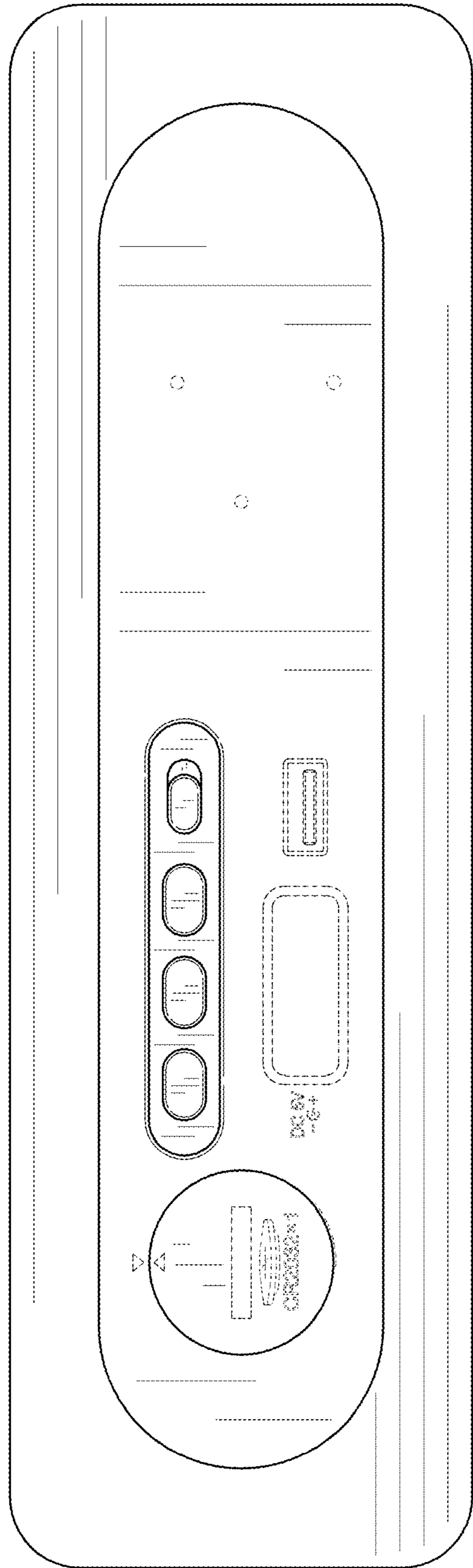


FIG. 4

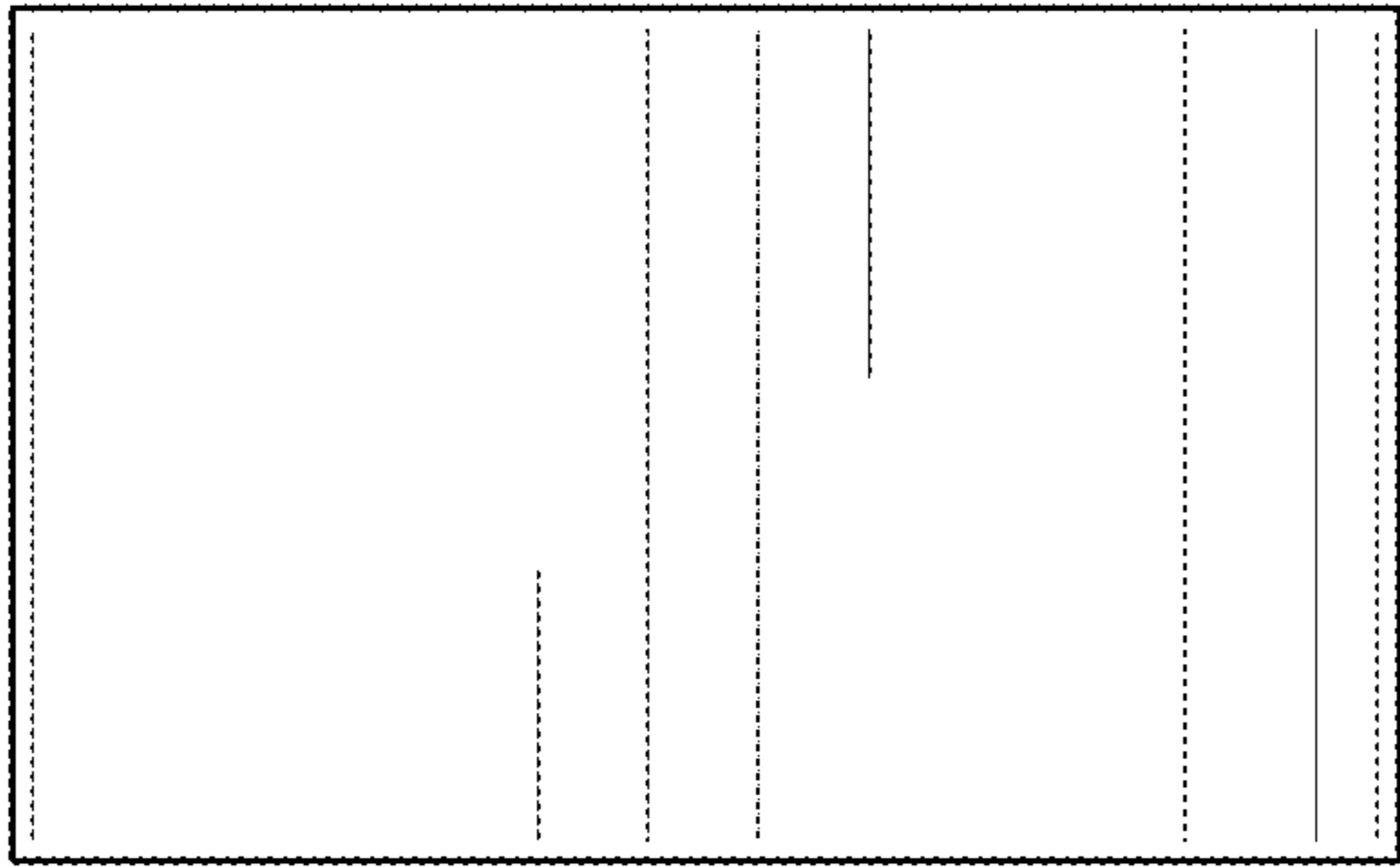


FIG. 5

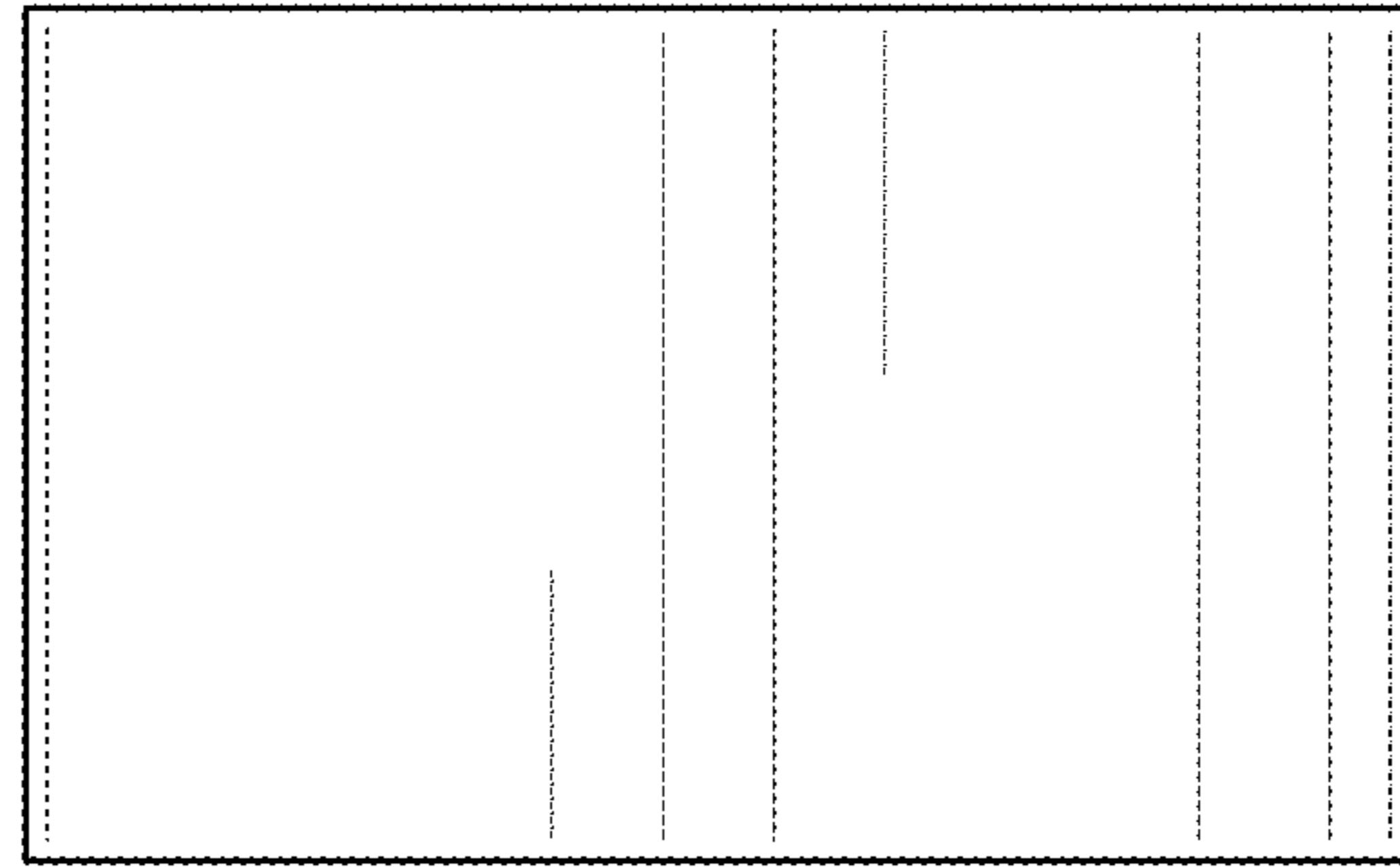


FIG. 6

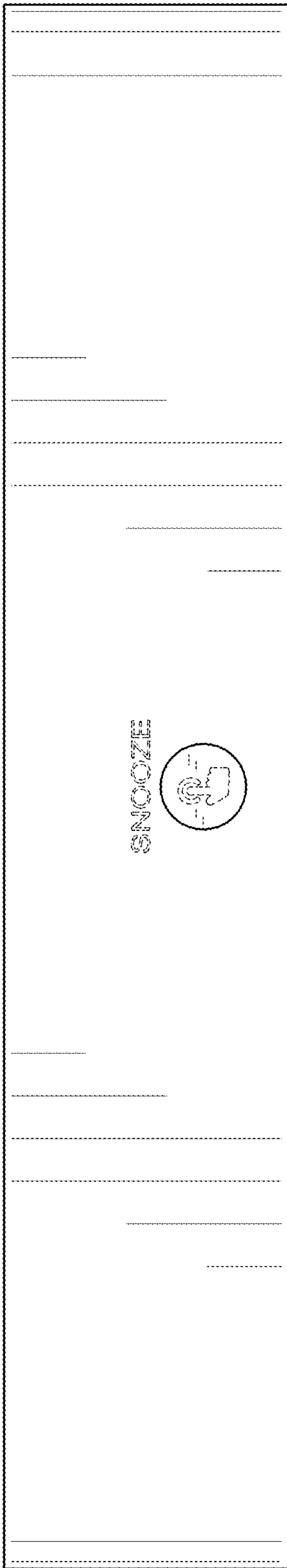


FIG. 7

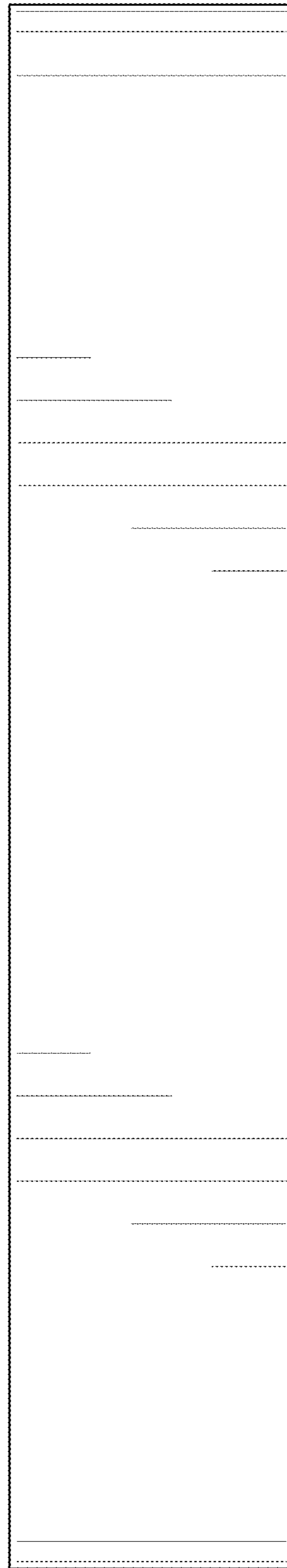


FIG. 8